



US00D714563S

(12) **United States Design Patent**
Amdal et al.

(10) **Patent No.:** **US D714,563 S**

(45) **Date of Patent:** **** Oct. 7, 2014**

(54) **CHAIR**

(71) Applicant: **Scandinavian Business Seating AS**,
Oslo (NO)

(72) Inventors: **Kristin Ruth Amdal**, Oslo (NO);
Aleksander Borgenhov, Oslo (NO);
Sondre Frost Urstad, Oslo (NO); **Jann
Frost Urstad**, Oslo (NO); **Sindre
Widerberg**, Oslo (NO); **Siri Yran**, Oslo
(NO); **Julie Arrive**, Oslo (NO)

(73) Assignee: **Scandinavian Business Seating AS**
(NO)

(**) Term: **14 Years**

(21) Appl. No.: **29/468,242**

(22) Filed: **Sep. 27, 2013**

(51) **LOC (10) Cl.** **06-01**

(52) **U.S. Cl.**
USPC **D6/366**

(58) **Field of Classification Search**
USPC D6/334-336, 344-356, 360-381, 388,
D6/403, 491-502, 692, 708, 716,
D6/716.2-716.46; 297/16.1, 22, 31, 35,
297/217.1, 228.12, 239, 256.16, 271.6,
297/284.4-284.5, 291, 297, 302.4, 411.2,
297/411.27-411.29, 411.43, 423.1, 423.12,
297/440.11, 440.15, 440.24, 448.1, 451.4,
297/452.13, 452.19, 452.21, 452.27,
297/452.29, 452.3, 452.41, 452.56, 452.64
See application file for complete search history.

(56) **References Cited**

U.S. PATENT DOCUMENTS

D493,626 S * 8/2004 James D6/366
D514,832 S * 2/2006 Tsai D6/366

D517,820 S * 3/2006 Citterio D6/366
D521,755 S * 5/2006 Kinoshita et al. D6/366
D548,994 S * 8/2007 Mao et al. D6/366

(Continued)

Primary Examiner — Ricky Pham

(74) *Attorney, Agent, or Firm* — Kolisch Hartwell, P.C.

(57) **CLAIM**

We claim the ornamental design for a chair, as shown.

DESCRIPTION

FIG. 1 is an upper right front perspective view of a chair according to an embodiment of the present invention.

FIG. 2 is a lower left bottom perspective view of the embodiment of FIG. 1.

FIG. 3 is a front elevation of the embodiment of FIG. 1.

FIG. 4 is a left elevation of the embodiment of FIG. 1.

FIG. 5 is a rear elevation of the embodiment of FIG. 1.

FIG. 6 is a right elevation of the embodiment of FIG. 1.

FIG. 7 is a top plan view of the embodiment of FIG. 1.

FIG. 8 is a bottom plan view of the embodiment of FIG. 1.

FIG. 9 is an upper right front perspective view of a chair according to an alternative embodiment of the present invention.

FIG. 10 is a lower left bottom perspective view of the embodiment of FIG. 9.

FIG. 11 is a front elevation of the embodiment of FIG. 9.

FIG. 12 is a left elevation of the embodiment of FIG. 9.

FIG. 13 is a rear elevation of the embodiment of FIG. 9.

FIG. 14 is a right elevation of the embodiment of FIG. 9.

FIG. 15 is a top plan view of the embodiment of FIG. 9; and,

FIG. 16 is a bottom plan view of the embodiment of FIG. 9.

1 Claim, 10 Drawing Sheets



(56)

References Cited

U.S. PATENT DOCUMENTS

D557,027 S * 12/2007 Hara D6/366
 D559,571 S * 1/2008 Meda D6/366
 D576,809 S * 9/2008 Christianson et al. D6/356
 D576,813 S * 9/2008 Baldanzi et al. D6/366
 D576,814 S * 9/2008 Baldanzi et al. D6/366
 D597,329 S * 8/2009 Tanaka et al. D6/366
 D597,349 S * 8/2009 Wilkinson et al. D6/502
 D600,462 S * 9/2009 Ooki et al. D6/366
 D607,653 S * 1/2010 Wilkinson et al. D6/366
 D613,085 S * 4/2010 Fujita D6/366
 D613,087 S * 4/2010 Fujita D6/366
 D650,617 S * 12/2011 Chen D6/500
 D654,709 S * 2/2012 Fujita D6/366
 D654,711 S * 2/2012 Fujita D6/366
 D655,524 S * 3/2012 Kim D6/366
 D656,752 S * 4/2012 Moll D6/366

D661,117 S * 6/2012 Tanaka et al. D6/366
 D662,330 S * 6/2012 Tanaka et al. D6/366
 D663,129 S * 7/2012 Greutmann D6/366
 D665,591 S * 8/2012 Tanaka et al. D6/366
 D670,927 S * 11/2012 Hurford D6/366
 D671,759 S * 12/2012 Hurford D6/366
 D676,254 S * 2/2013 Chen D6/366
 D679,107 S * 4/2013 Darrow et al. D6/366
 D683,151 S * 5/2013 Smith et al. D6/366
 D688,056 S * 8/2013 Phillips et al. D6/366
 D694,537 S * 12/2013 Smith et al. D6/366
 D694,538 S * 12/2013 Smith et al. D6/366
 D695,538 S * 12/2013 Geelen D6/366
 D697,330 S * 1/2014 Chen D6/366
 D697,726 S * 1/2014 Smith et al. D6/366
 D698,164 S * 1/2014 Smith et al. D6/366
 D699,958 S * 2/2014 Smith et al. D6/366
 2008/0122284 A1 * 5/2008 Yang 297/452.56

* cited by examiner

Fig. 1



Fig. 2



Fig. 4

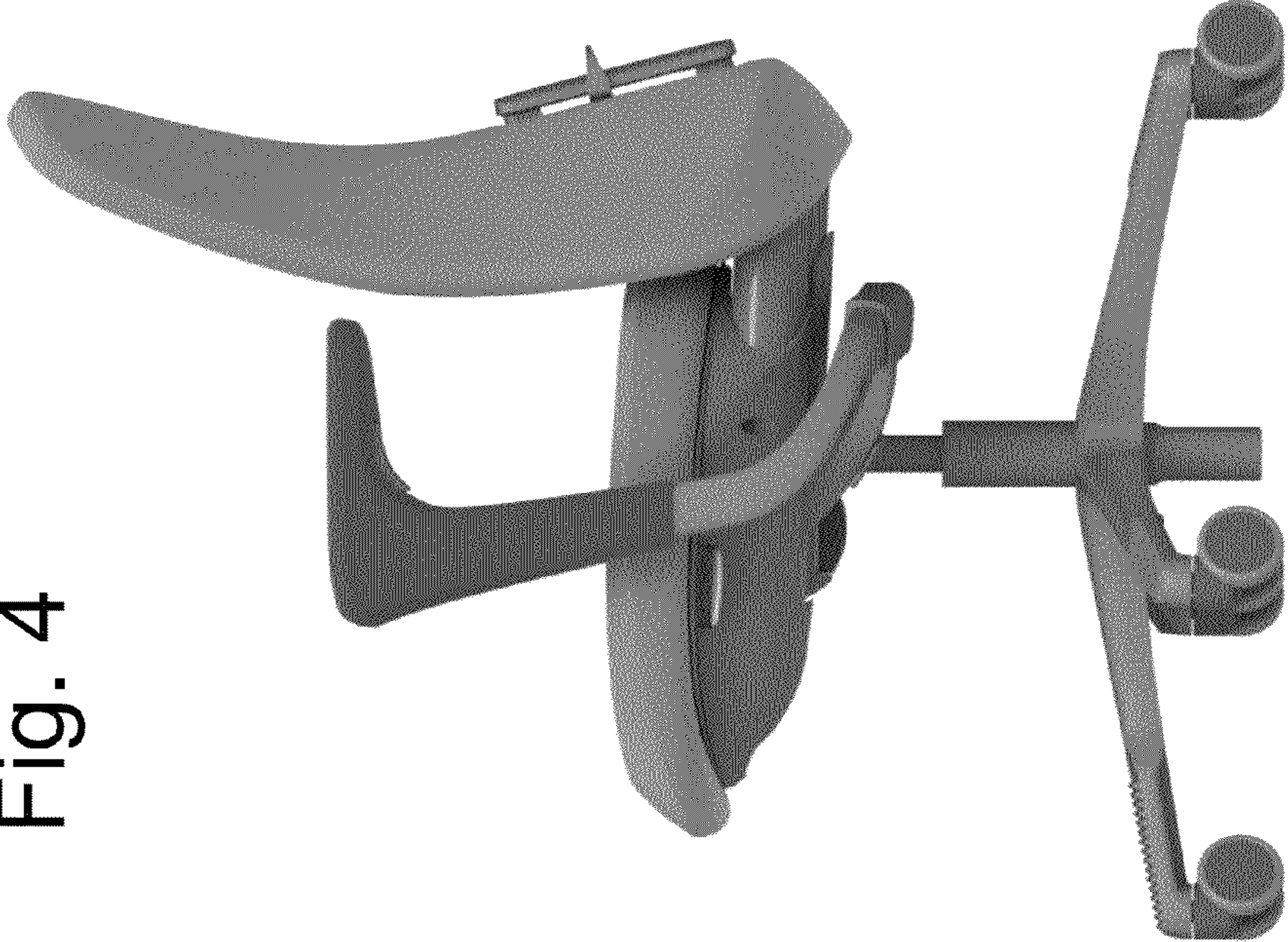


Fig. 3

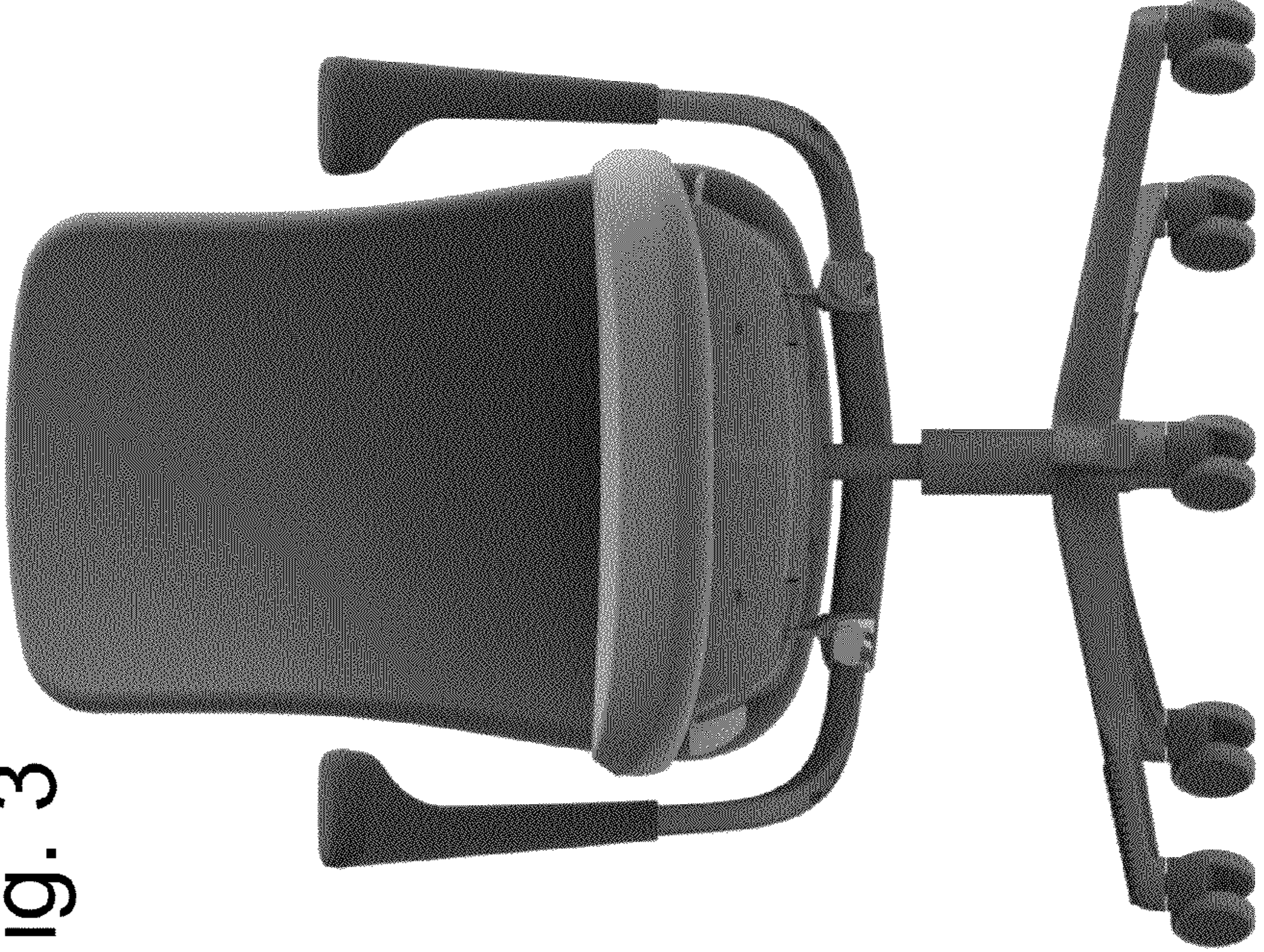


Fig. 5

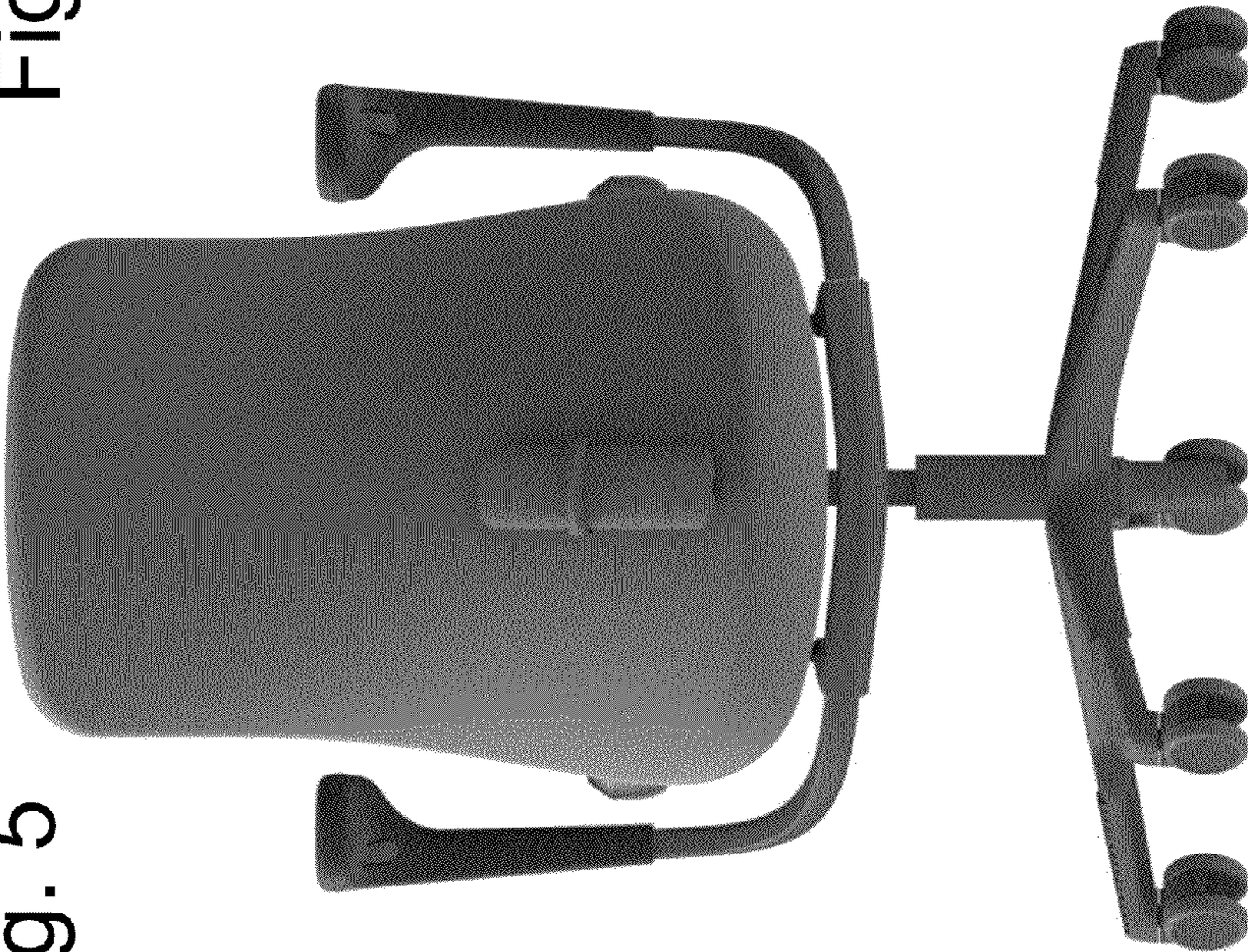


Fig. 6



Fig. 8

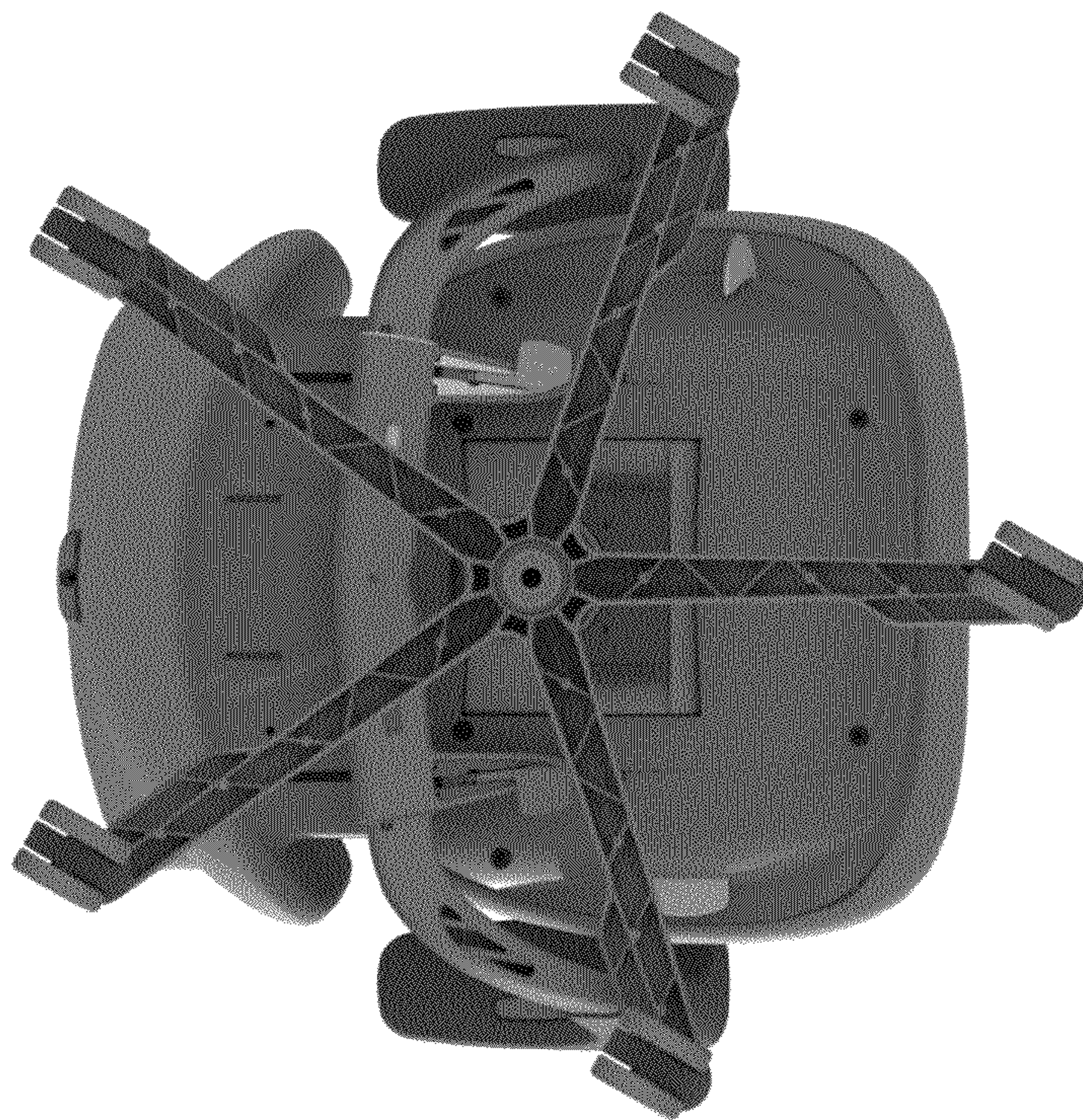


Fig. 7

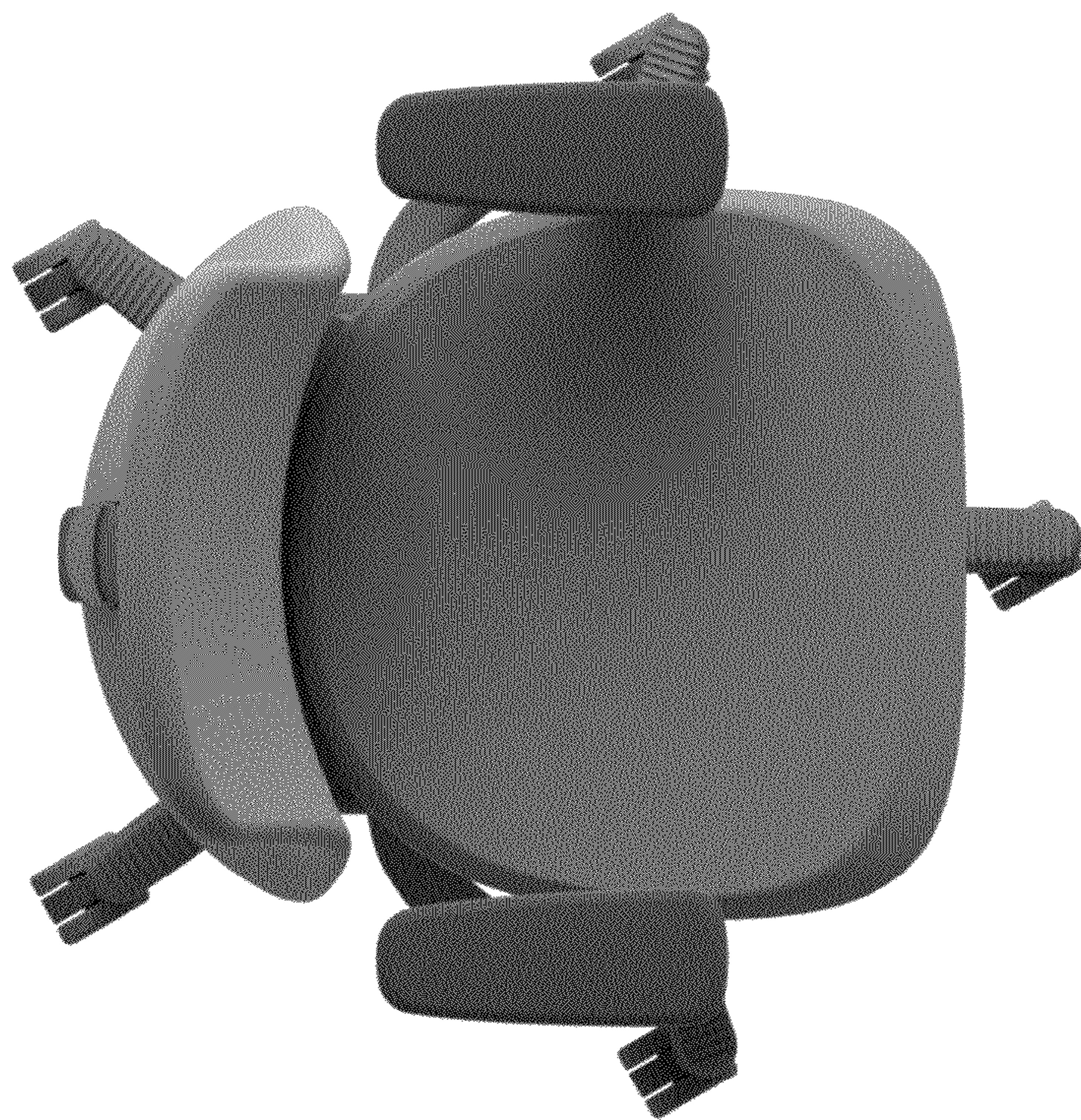


Fig. 9



Fig. 10



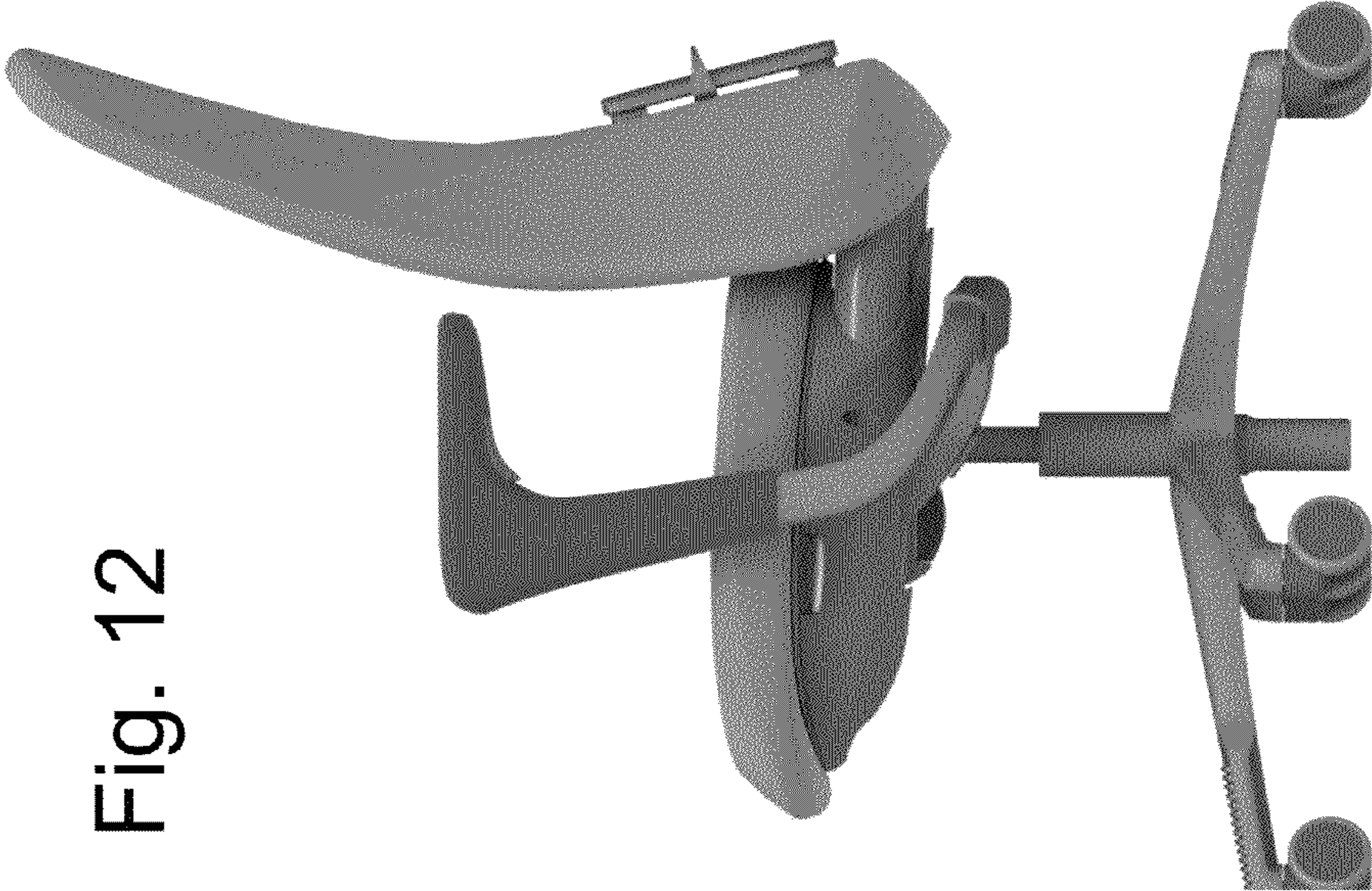


Fig. 12



Fig. 11

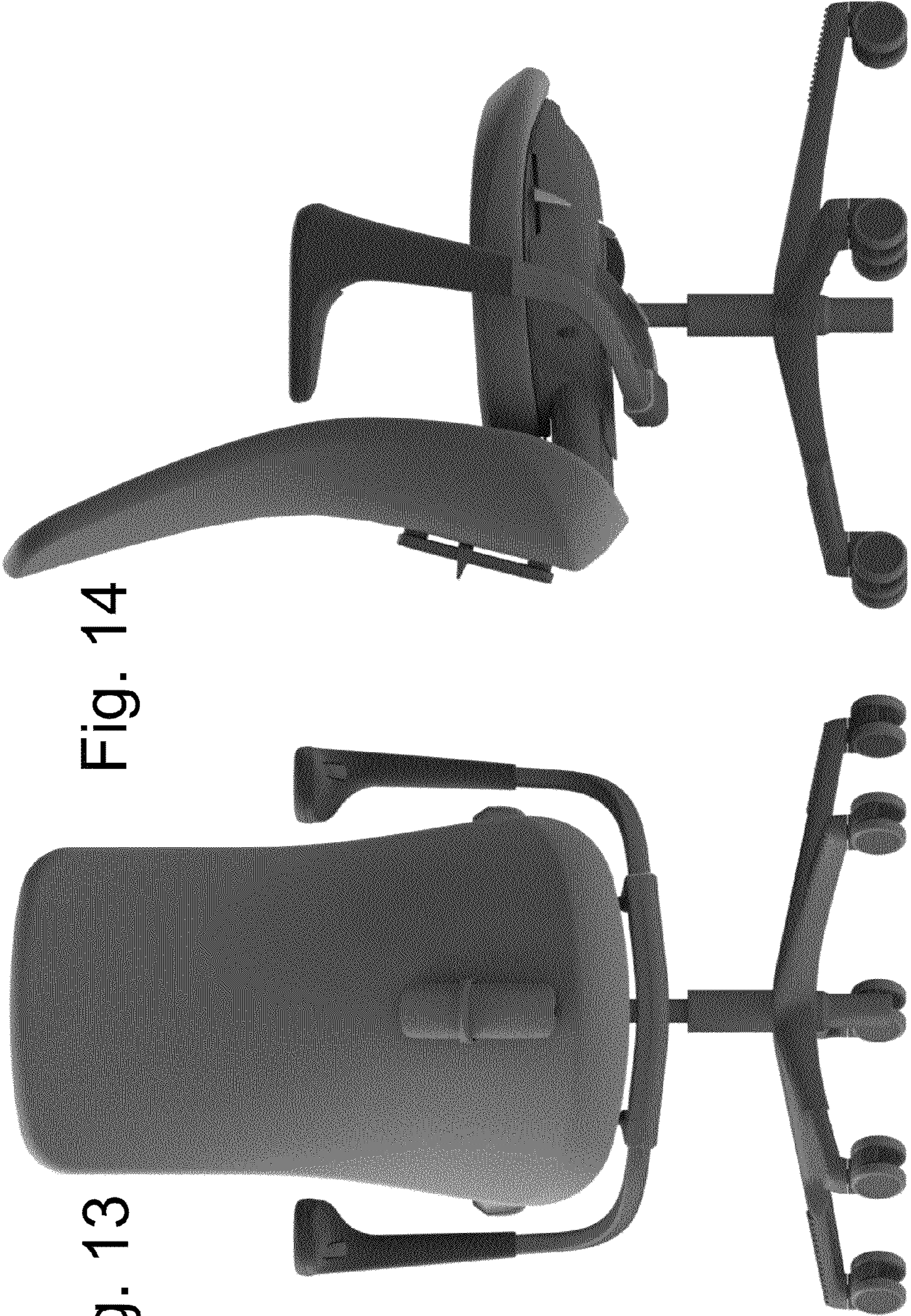


Fig. 14

Fig. 13

Fig. 15

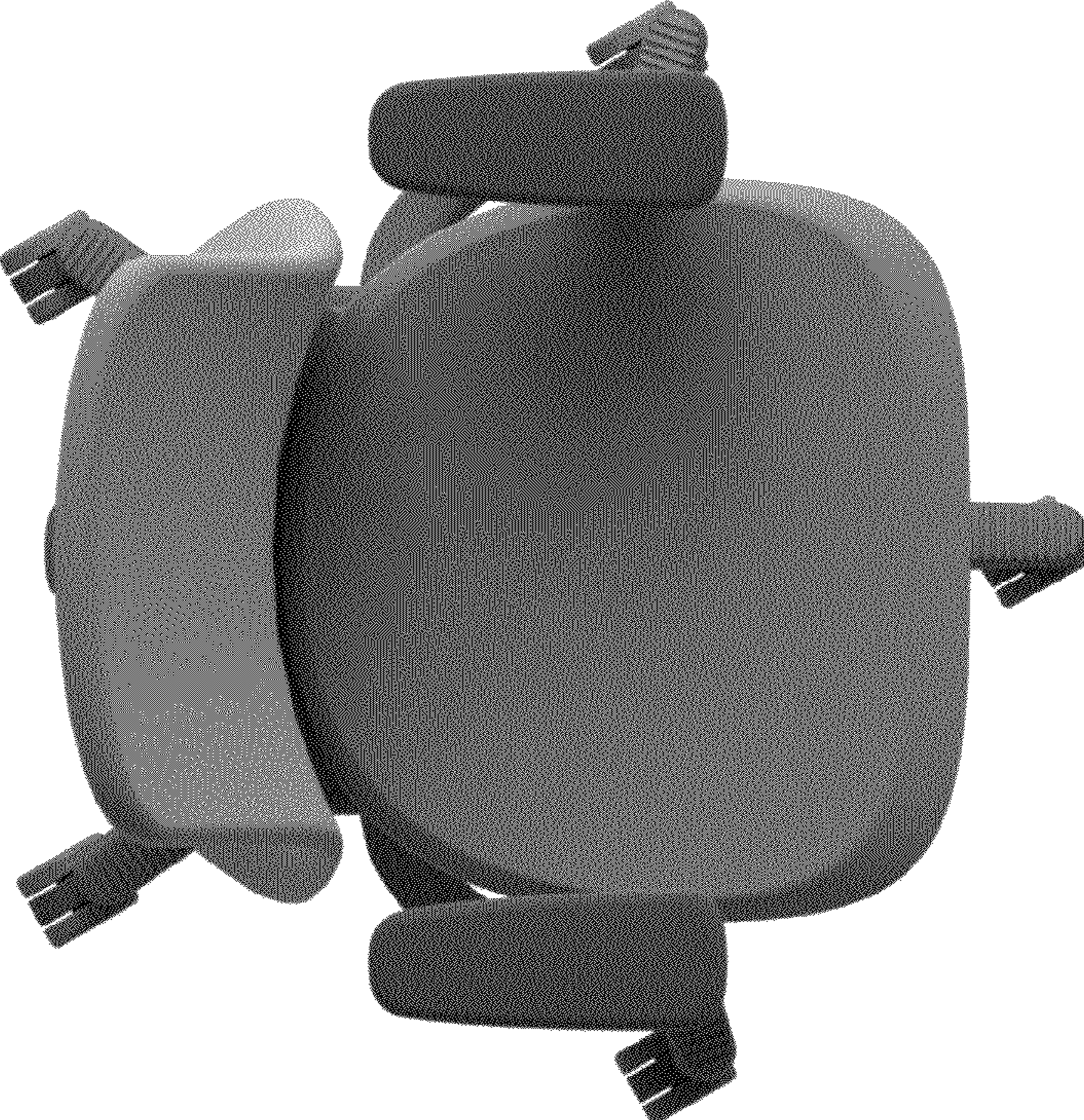


Fig. 16

