



US00D714561S

(12) **United States Design Patent**  
**Lange**

(10) **Patent No.:** **US D714,561 S**  
(45) **Date of Patent:** **\*\* Oct. 7, 2014**

- (54) **BENCH**
- (71) Applicant: **Gus Design Group Inc.**, Toronto (CA)
- (72) Inventor: **Joran Van Lange**, Toronto (CA)
- (73) Assignee: **Gus Design Group Inc.**, Toronto (CA)
- (\*\*) Term: **14 Years**
- (21) Appl. No.: **29/484,651**
- (22) Filed: **Mar. 12, 2014**
- (30) **Foreign Application Priority Data**  
Nov. 13, 2013 (CA) ..... 153838
- (51) **LOC (10) Cl.** ..... **06-01**
- (52) **U.S. Cl.**  
USPC ..... **D6/349; D6/370**
- (58) **Field of Classification Search**  
CPC ..... A47C 1/14; A47C 3/16-3/20; A47C 4/00;  
A47C 4/28; A47C 5/02; A47C 7/02; A47C  
9/00; A47C 9/02; A47C 9/002; A47C 9/007;  
A47C 9/025; A47C 11/00; A47C 12/00;  
A47C 13/00; A47C 16/02  
USPC ..... D6/335, 340, 344, 347, 349-355, 358,  
D6/360, 363-373, 381, 685, 687, 688, 690,  
D6/691-691.6, 692, 692.4, 694, 703.15,  
D6/708.21, 708.22, 709.22, 716-716.7,  
D6/717  
See application file for complete search history.

- (56) **References Cited**  
**U.S. PATENT DOCUMENTS**  
3,093,096 A \* 6/1963 Black et al. .... 297/452.1  
D247,529 S \* 3/1978 Lamb ..... D6/336  
D365,937 S \* 1/1996 Skalka ..... D6/370  
D414,952 S \* 10/1999 Slear ..... D6/370

- D423,239 S \* 4/2000 Hornyak ..... D6/355
- D423,258 S \* 4/2000 Pinch ..... D6/499
- D461,330 S \* 8/2002 Wang ..... D6/400
- D465,936 S \* 11/2002 Arnold ..... D6/349
- D505,559 S \* 5/2005 Sun ..... D6/349
- D583,577 S \* 12/2008 Wicha ..... D6/349
- D599,570 S \* 9/2009 Skalka ..... D6/355
- D659,415 S \* 5/2012 Soto et al. .... D6/355

**OTHER PUBLICATIONS**

Transit Bench. [online] Retrieved Jun. 10, 2014 from URL: <[http://www.smartfurniture.com/products/transit-bench.html?mm\\_campaign=9AE1634E591D25C0E494821698088F7A&keyword=%7Bkeyword%7D&utm\\_source=%E2%80%A6](http://www.smartfurniture.com/products/transit-bench.html?mm_campaign=9AE1634E591D25C0E494821698088F7A&keyword=%7Bkeyword%7D&utm_source=%E2%80%A6)>.\*  
Nelson Platform Bench (Small). [online] Retrieved Jun. 10, 2014 from URL: <<http://www.inmod.com/nelsonbench.html#U5djFfldWI81/>>.\*  
Heywood Single Bench. [online] Retrieved Jun. 10, 2014 from URL: <<http://www.inmod.com/zuo-heywood-bench.html>>.\*

\* cited by examiner

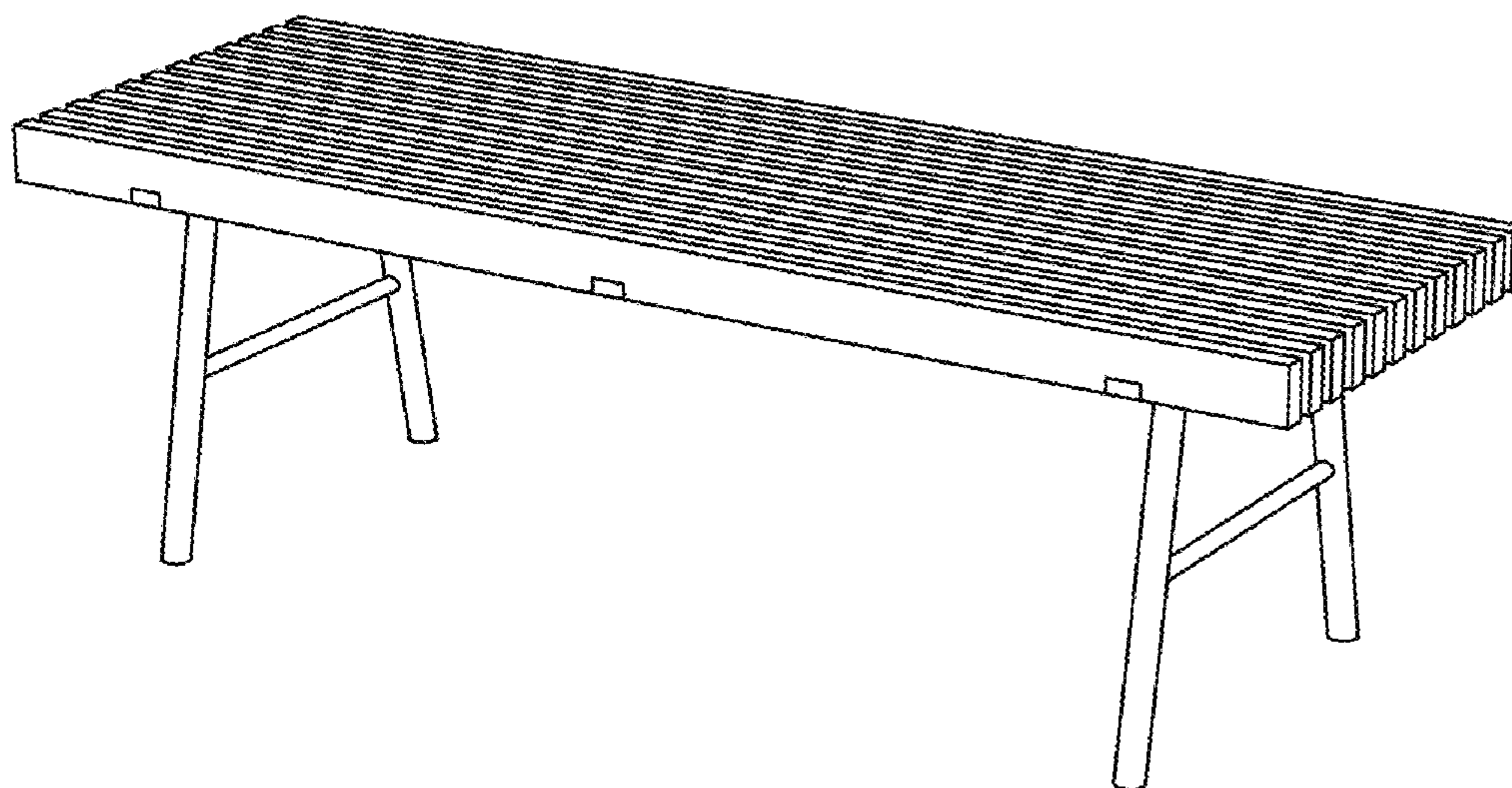
*Primary Examiner* — Susan Bennett Hattan  
*Assistant Examiner* — Vy Koenig  
(74) *Attorney, Agent, or Firm* — Carter, DeLuca, Farrell & Schmidt, LLP

(57) **CLAIM**  
The ornamental design for a bench, as shown and described.

**DESCRIPTION**

FIG. 1 is a front perspective view of a bench in accordance with the present design;  
FIG. 2 is a right side elevational view thereof, the left side elevational view being a mirror image thereof;  
FIG. 3 is a front elevational view thereof;  
FIG. 4 is a rear elevational view thereof;  
FIG. 5 is a top plan view thereof; and,  
FIG. 6 is a bottom plan view thereof.

**1 Claim, 3 Drawing Sheets**



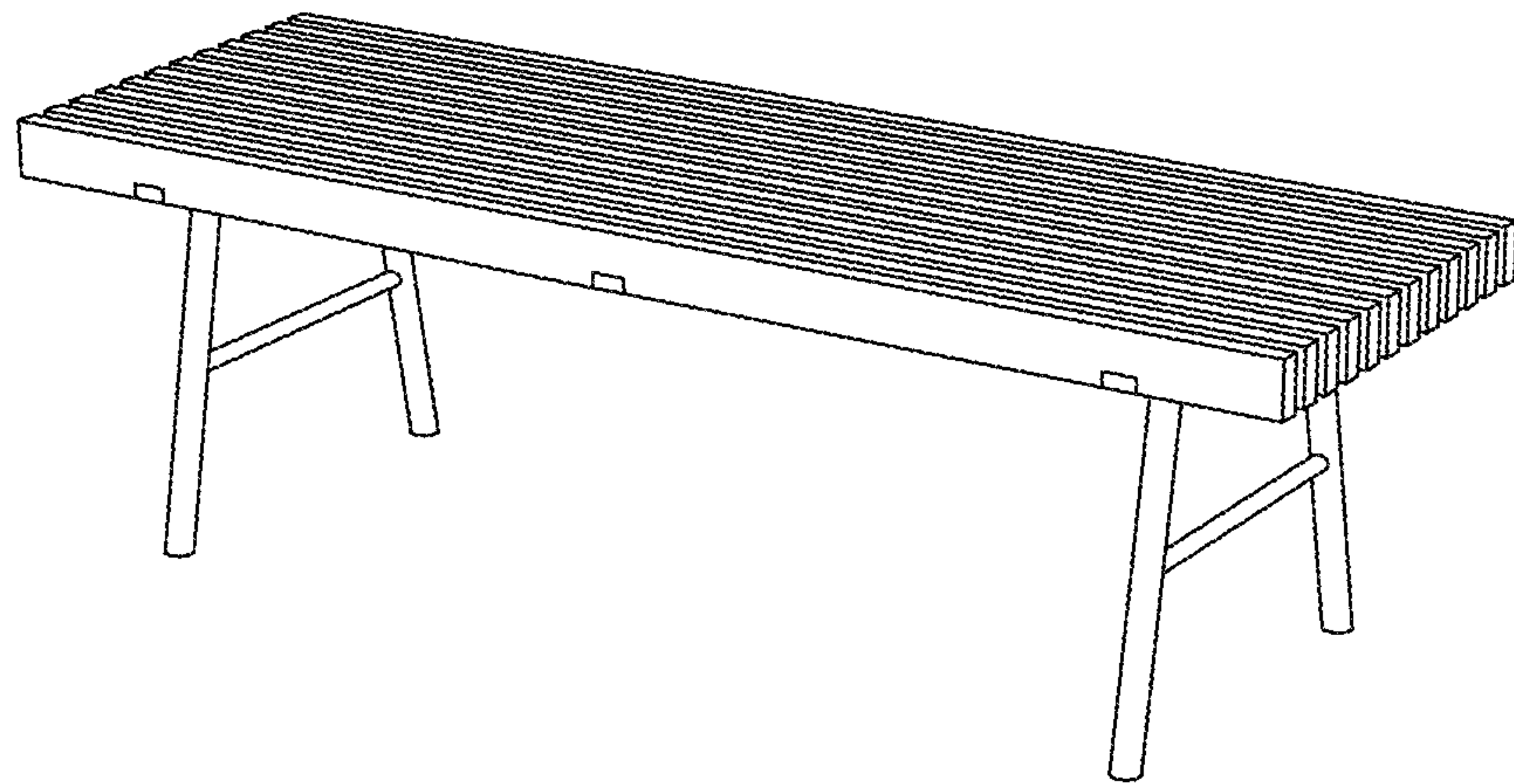


FIG. 1

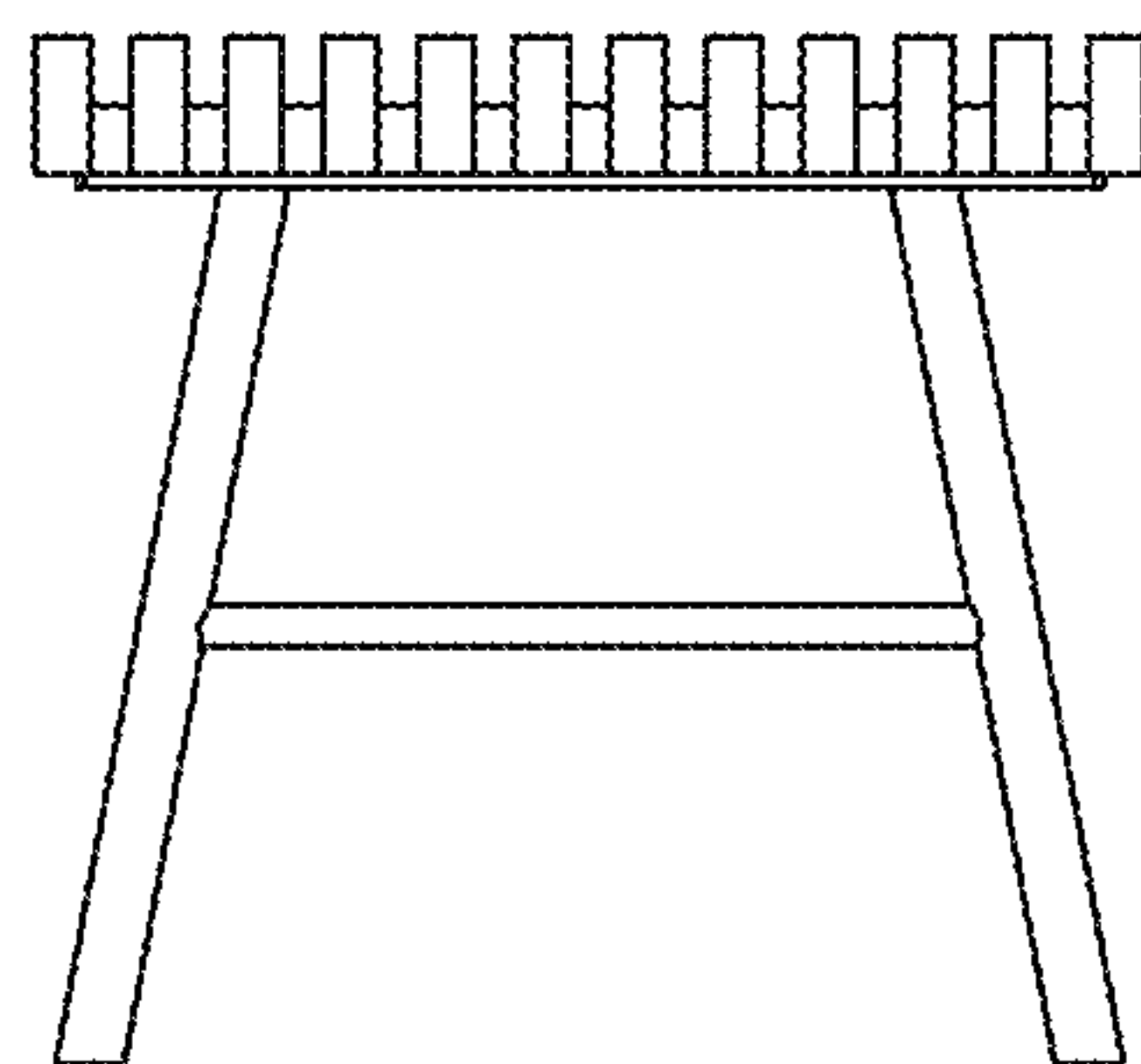


FIG. 2

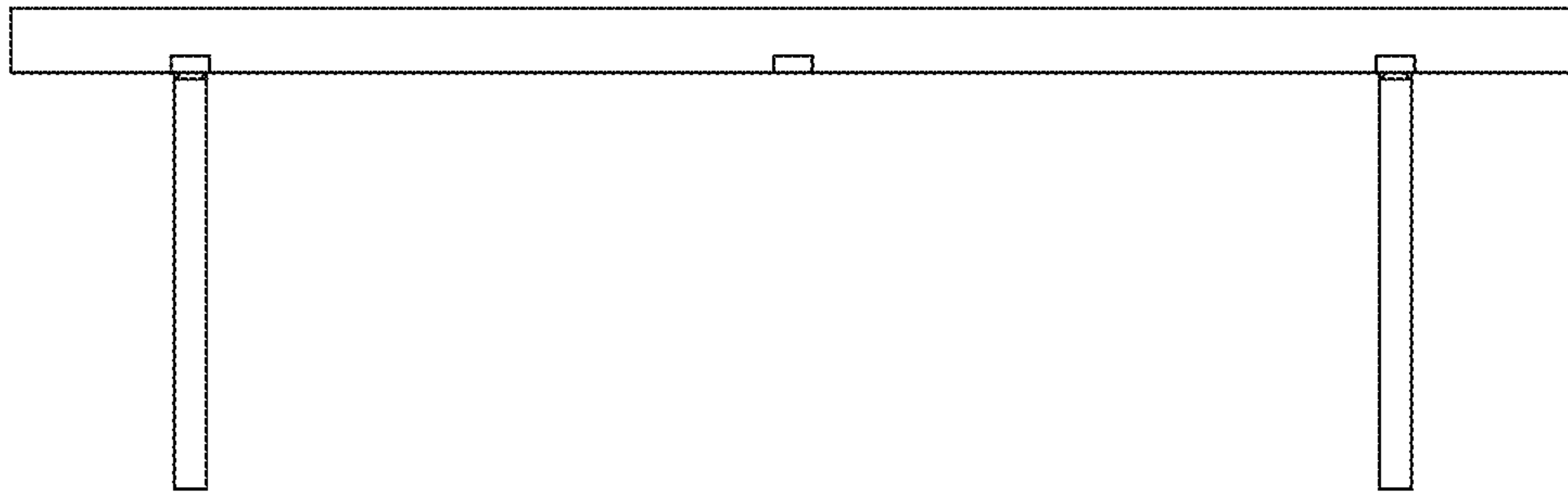


FIG. 3

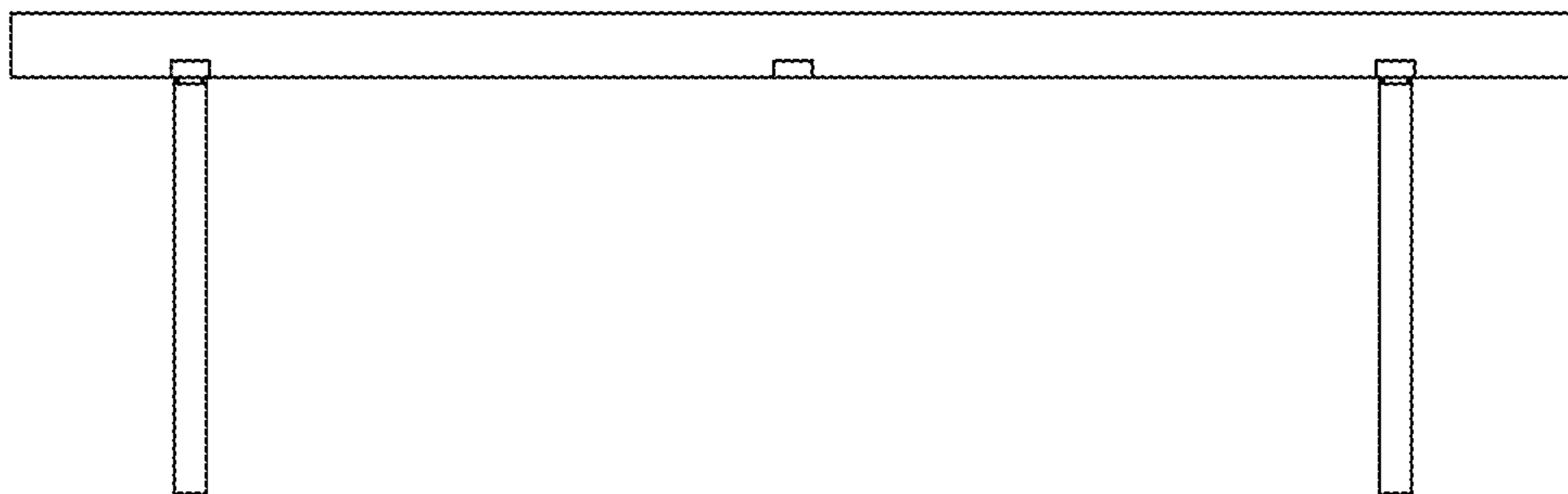


FIG. 4

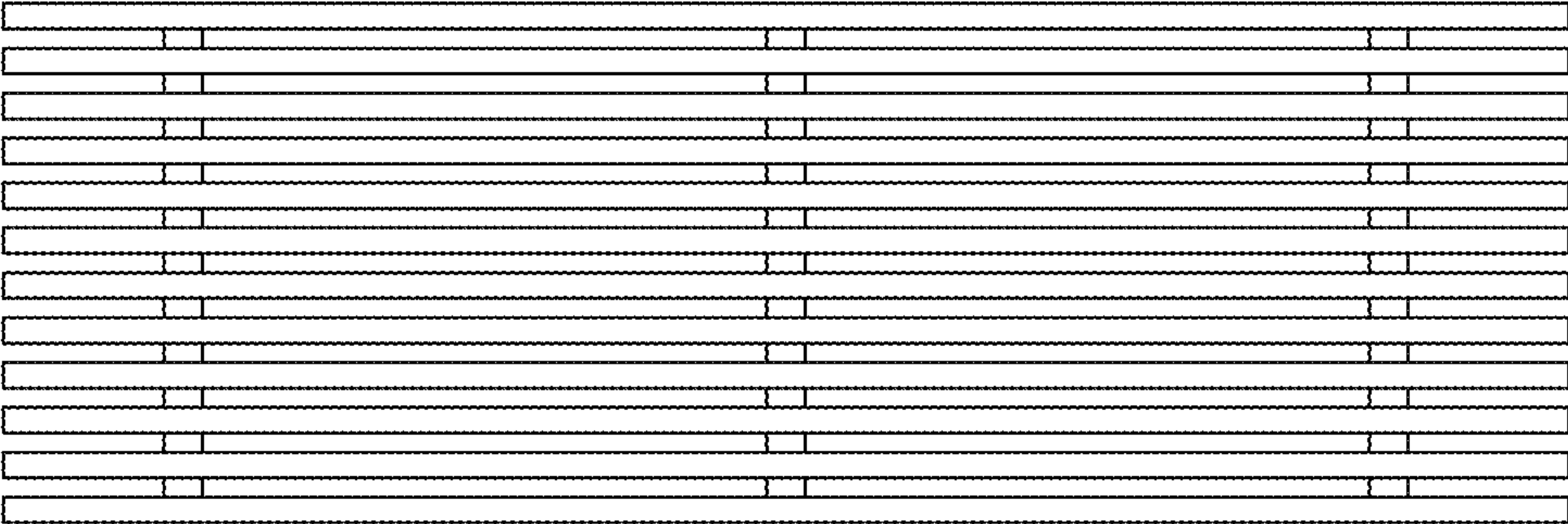


FIG. 5

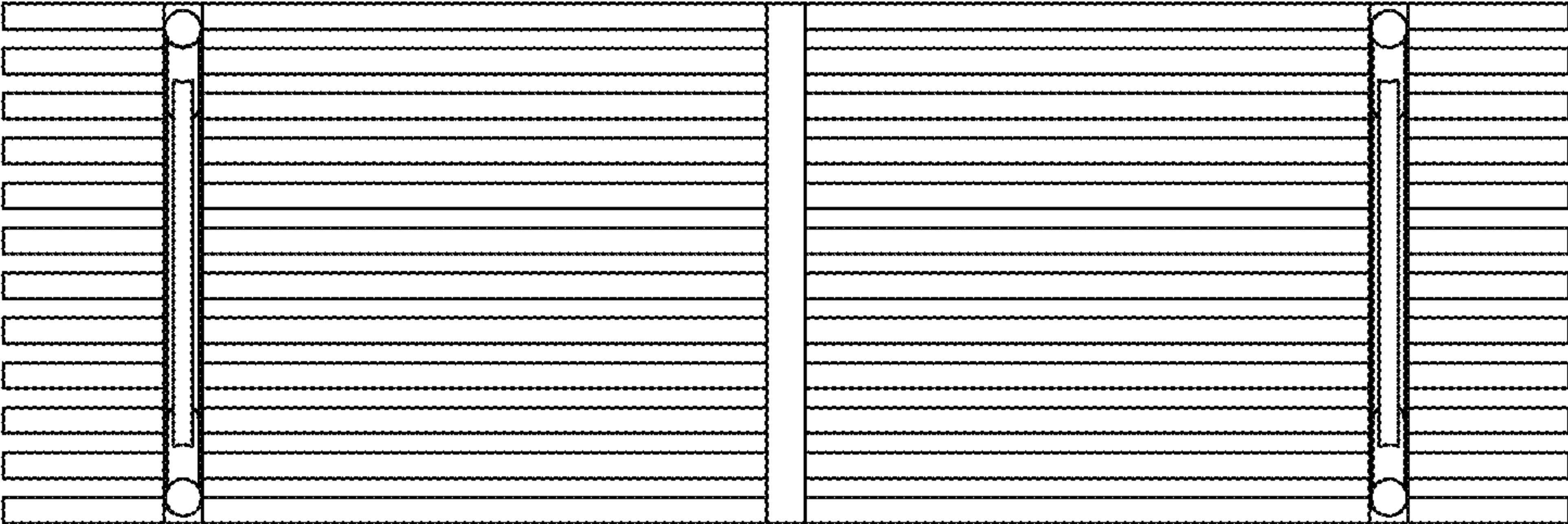


FIG. 6