

US00D714549S

(12) **United States Design Patent**  
**Levy et al.**

(10) **Patent No.:** **US D714,549 S**  
(45) **Date of Patent:** **\*\* Oct. 7, 2014**

- (54) **CLIP-ON GLASSES HOLDER**
- (71) Applicant: **Navajo Manufacturing Company,**  
Denver, CO (US)
- (72) Inventors: **Gordon Levy,** Golden, CO (US); **Hoi Kwan Wong,** Thornton, CO (US); **Zhen Jian Kun,** Wen Zhou (CN)
- (73) Assignee: **Navajo Manufacturing Company,**  
Denver, CO (US)
- (\*\*) Term: **14 Years**
- (21) Appl. No.: **29/444,055**
- (22) Filed: **Jan. 25, 2013**
- (51) **LOC (10) Cl.** ..... **03-01**
- (52) **U.S. Cl.**  
USPC ..... **D3/265**
- (58) **Field of Classification Search**  
USPC ..... D3/218, 219, 215, 224, 226, 263–266,  
D3/230, 233; 206/5, 5.1, 6; 248/902;  
224/908; 220/840  
See application file for complete search history.

D308,597	S	*	6/1990	Marks	.....	D3/265
5,164,749	A		11/1992	Shelton		
D382,708	S		8/1997	Canning		
D404,568	S		1/1999	Newcomer		
D406,460	S	*	3/1999	Newcomer	.....	D3/265
D406,944	S		3/1999	Troutman		
5,949,517	A		9/1999	Lindberg et al.		
6,382,482	B1		5/2002	Chao		
6,398,017	B1	*	6/2002	Cafiero	.....	206/6
6,726,004	B2		4/2004	Watson		
7,101,040	B2		9/2006	Karasik		
D547,548	S	*	7/2007	Au	.....	D3/265
D552,347	S	*	10/2007	Kim	.....	D3/265
D566,389	S	*	4/2008	Conway	.....	D3/266
2003/0178324	A1	*	9/2003	Watson	.....	206/6
2011/0210018	A1		9/2011	Friedman et al.		

\* cited by examiner

*Primary Examiner* — Thomas Johannes  
*Assistant Examiner* — Holly E Thurman

(74) *Attorney, Agent, or Firm* — Studebaker & Brackett PC

(57) **CLAIM**

The ornamental design for a clip-on glasses holder, as shown and described.

**DESCRIPTION**

FIG. 1 is a perspective view showing our new design for a clip-on glasses holder;

FIG. 2 is an open perspective view thereof;

FIG. 3 is an open top view thereof;

FIG. 4 is an open bottom view thereof;

FIG. 5 is an open front view thereof;

FIG. 6 is an open rear view thereof;

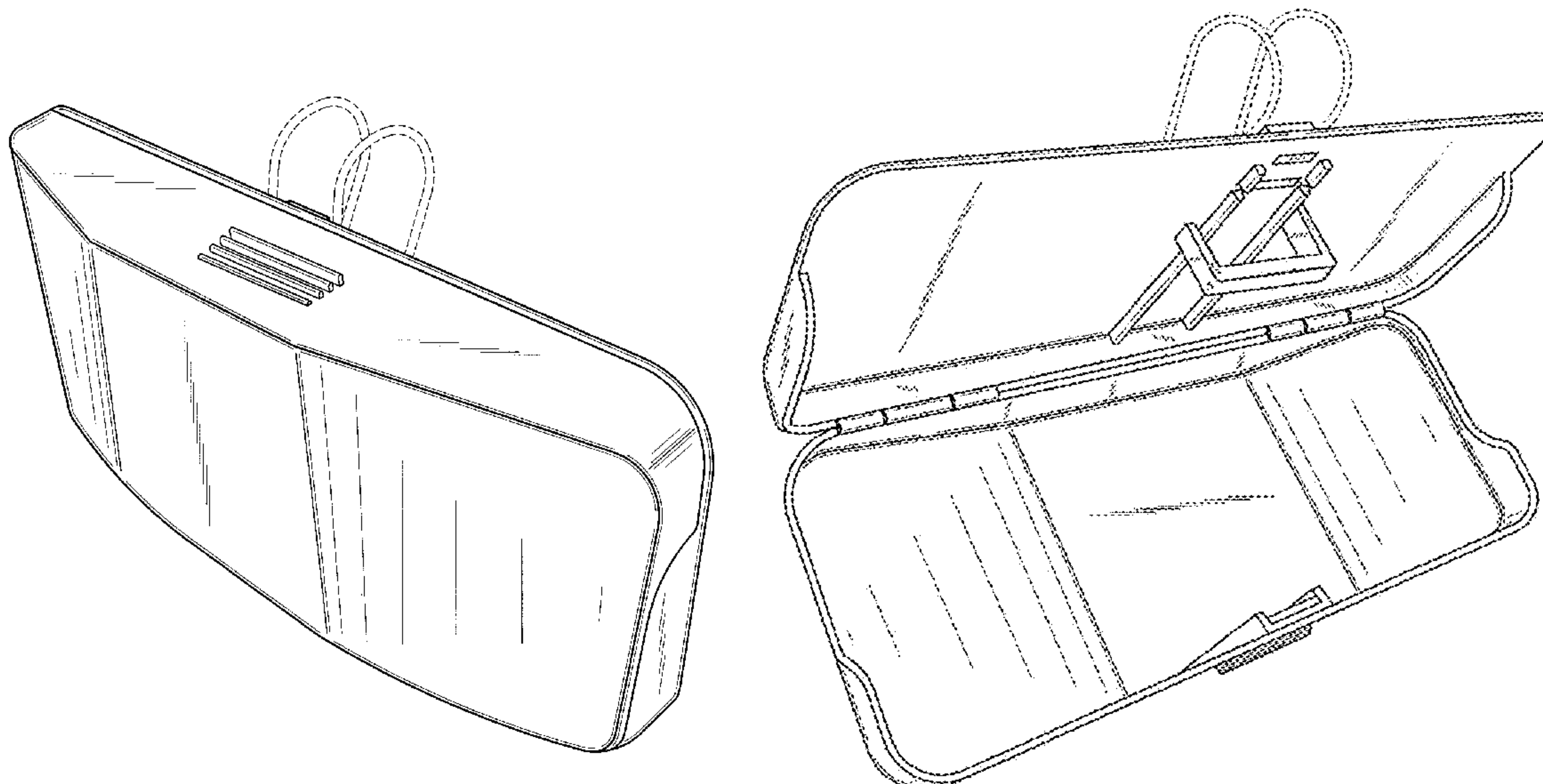
FIG. 7 is a left side view thereof; and,

FIG. 8 is a right side view thereof.

The portion shown in broken lines in the drawings depict unclaimed subject matter only, forming no part of the claimed design.

**1 Claim, 5 Drawing Sheets**

- (56) **References Cited**  
U.S. PATENT DOCUMENTS
- |           |   |         |         |                |               |
|-----------|---|---------|---------|----------------|---------------|
| 353,203   | A | 11/1886 | Chase   |                |               |
| D161,850  | S | *       | 2/1951  | Maier          | ..... D3/266  |
| 2,642,987 | A |         | 6/1953  | Castelli       |               |
| 2,735,597 | A |         | 2/1956  | Treleven       |               |
| 3,317,076 | A | *       | 5/1967  | Enders         | ..... 220/840 |
| 3,600,069 | A |         | 8/1971  | McNeill        |               |
| D229,098  | S | *       | 11/1973 | Reed           | ..... D3/266  |
| 3,825,110 | A |         | 7/1974  | Halbich et al. |               |
| 3,876,295 | A |         | 4/1975  | Loughner       |               |
| 4,000,810 | A |         | 1/1977  | Leblanc        |               |
| 4,163,607 | A |         | 8/1979  | Nannini        |               |
| 4,247,178 | A |         | 1/1981  | Cook           |               |
| D284,134  | S | *       | 6/1986  | Scoppettone    | ..... D3/265  |



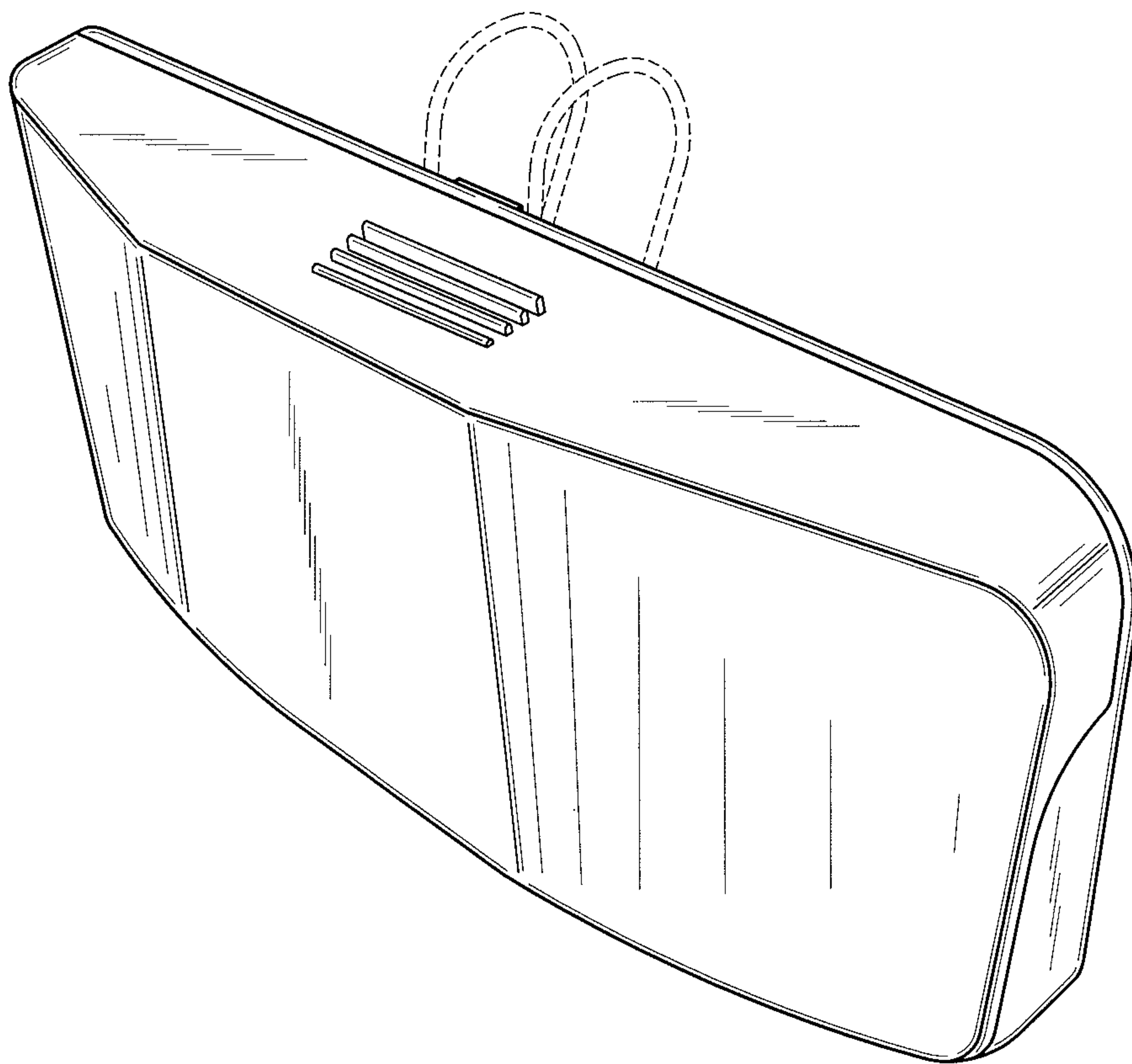


FIG. 1

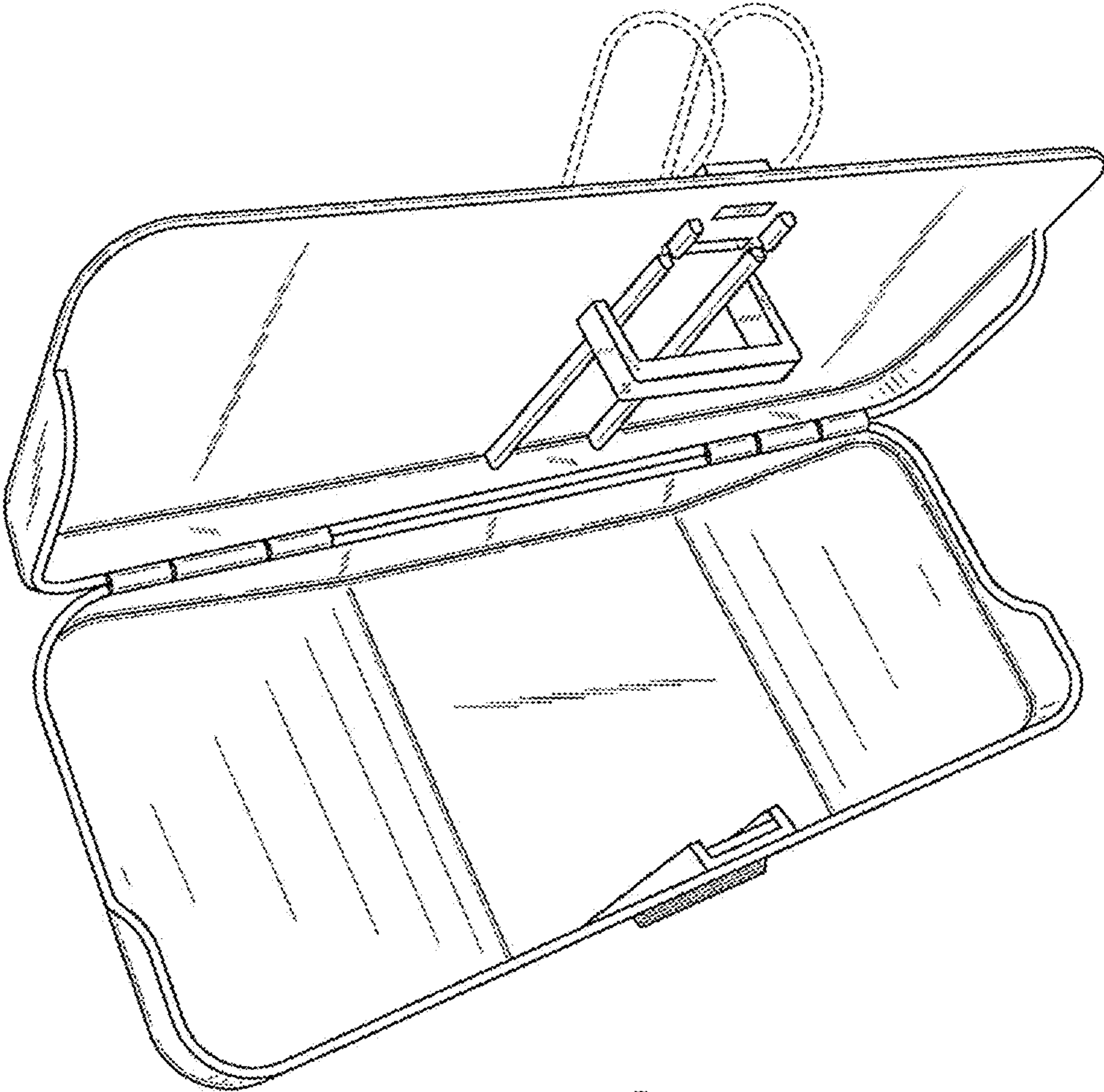


FIG. 2

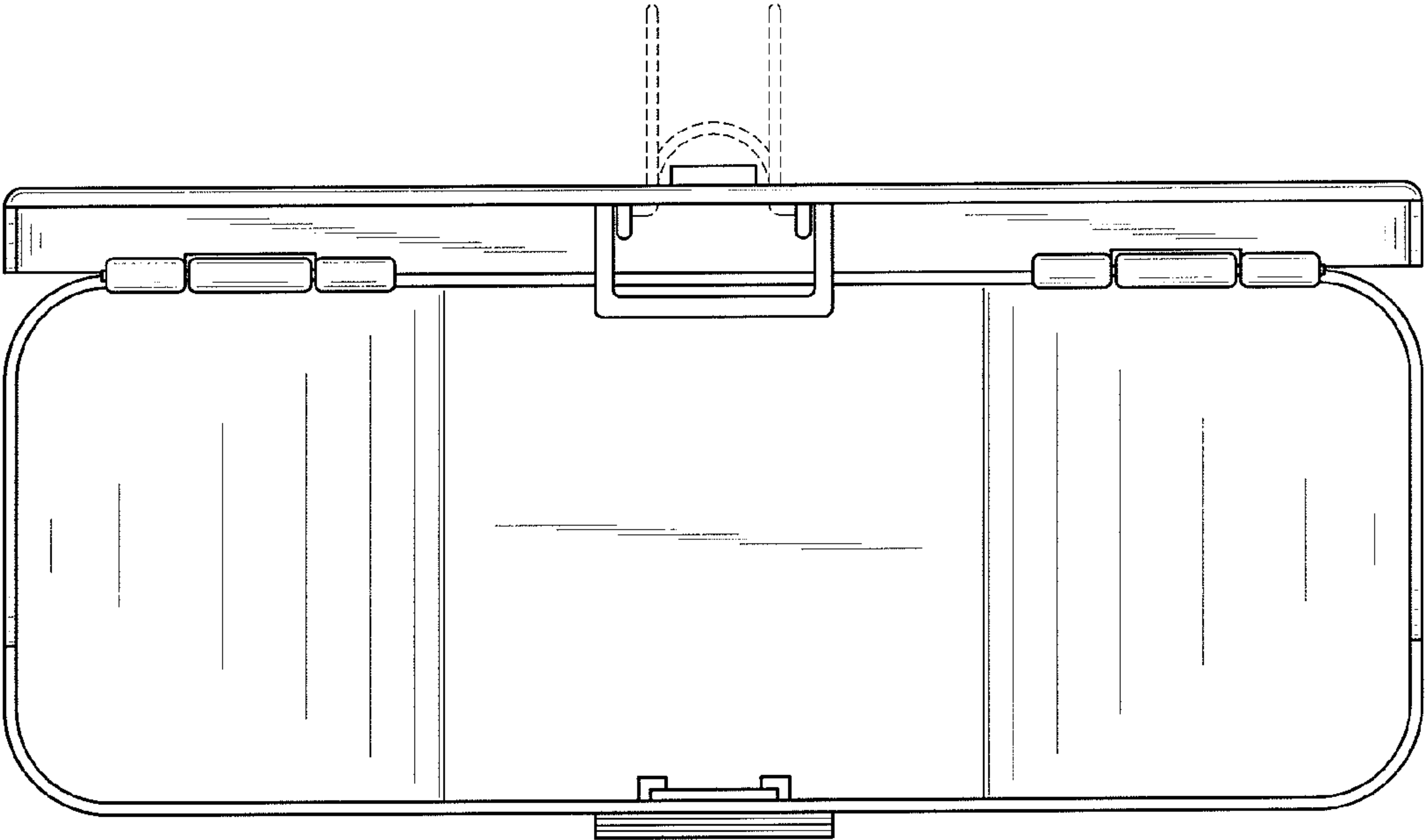


FIG. 3

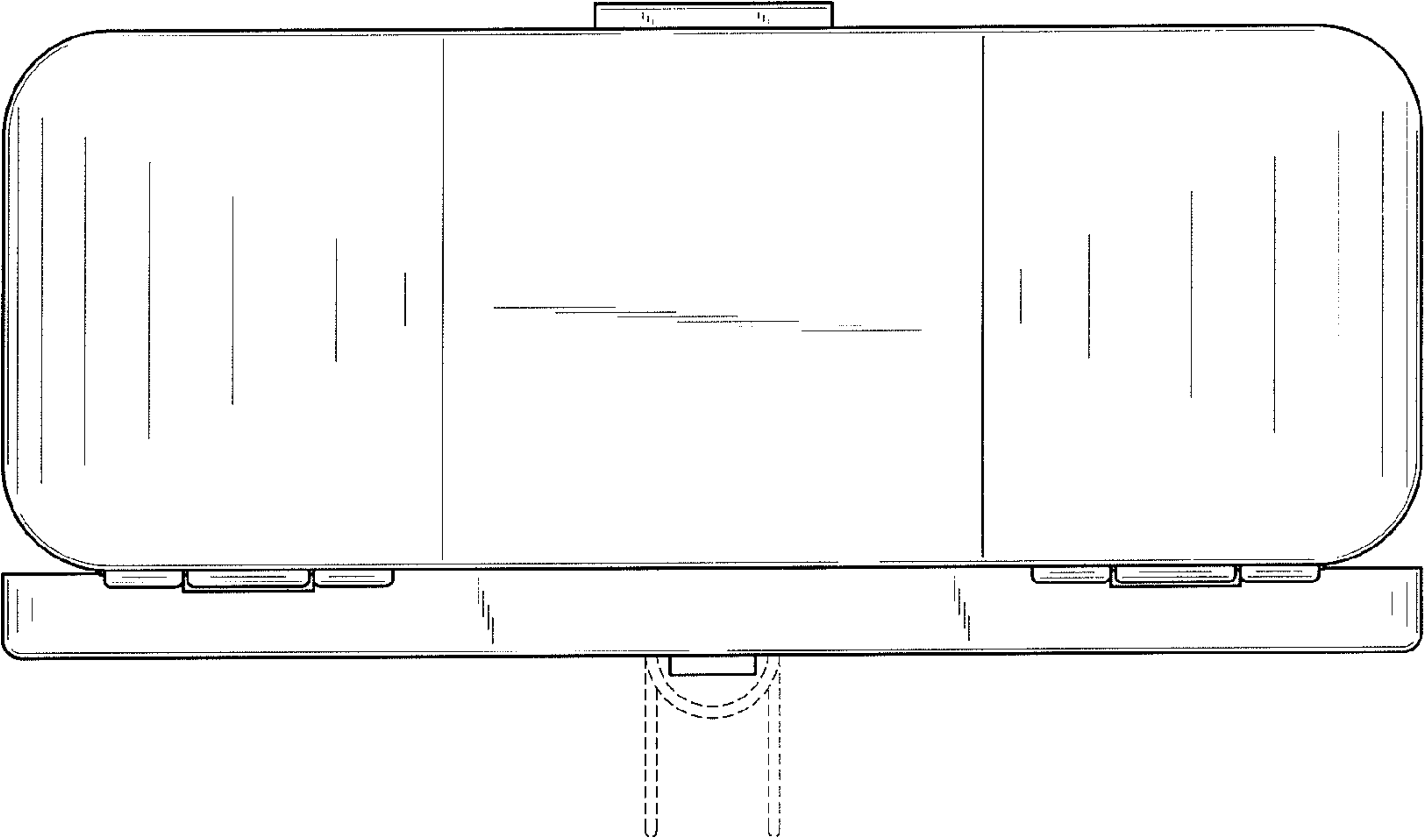


FIG. 4



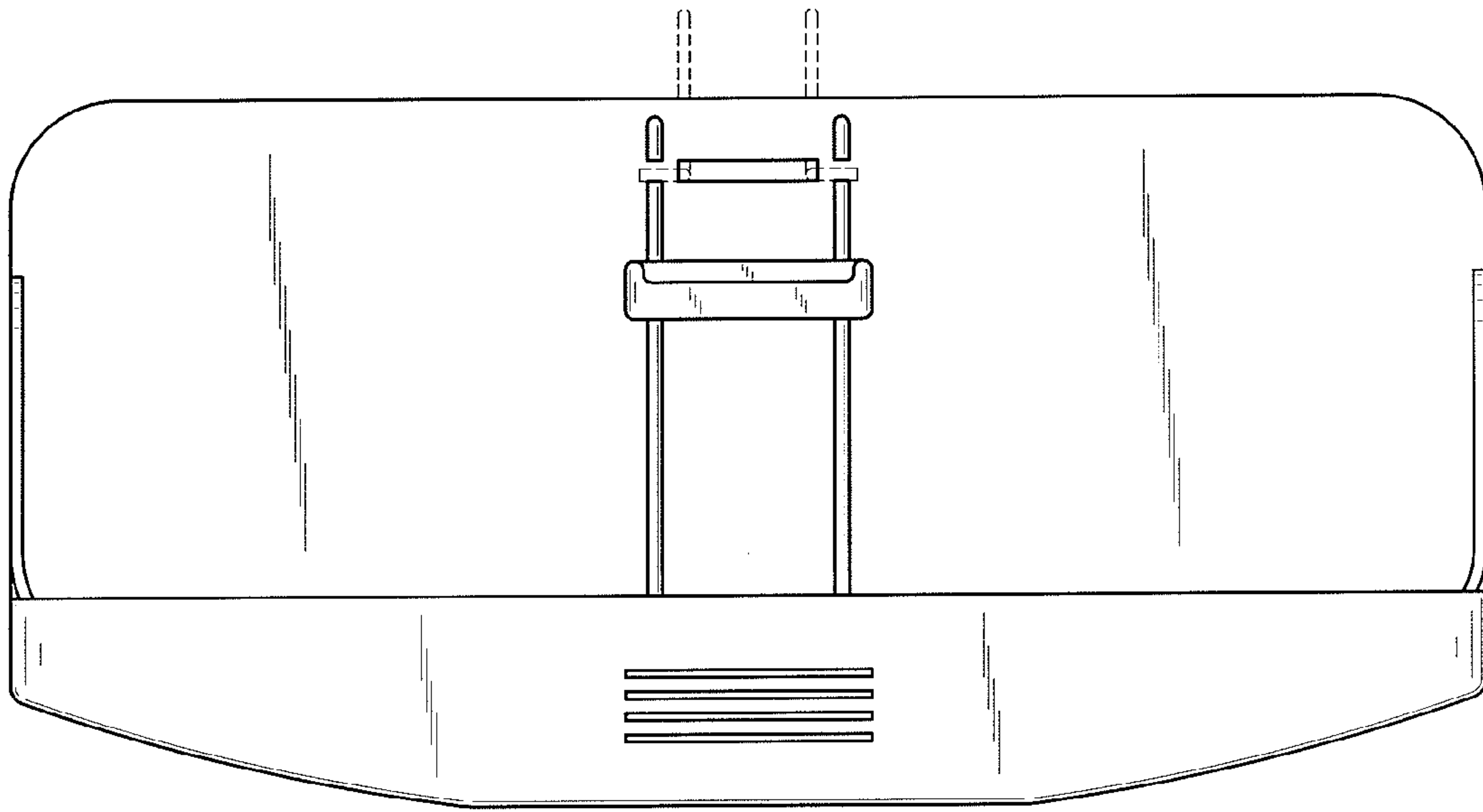


FIG. 5

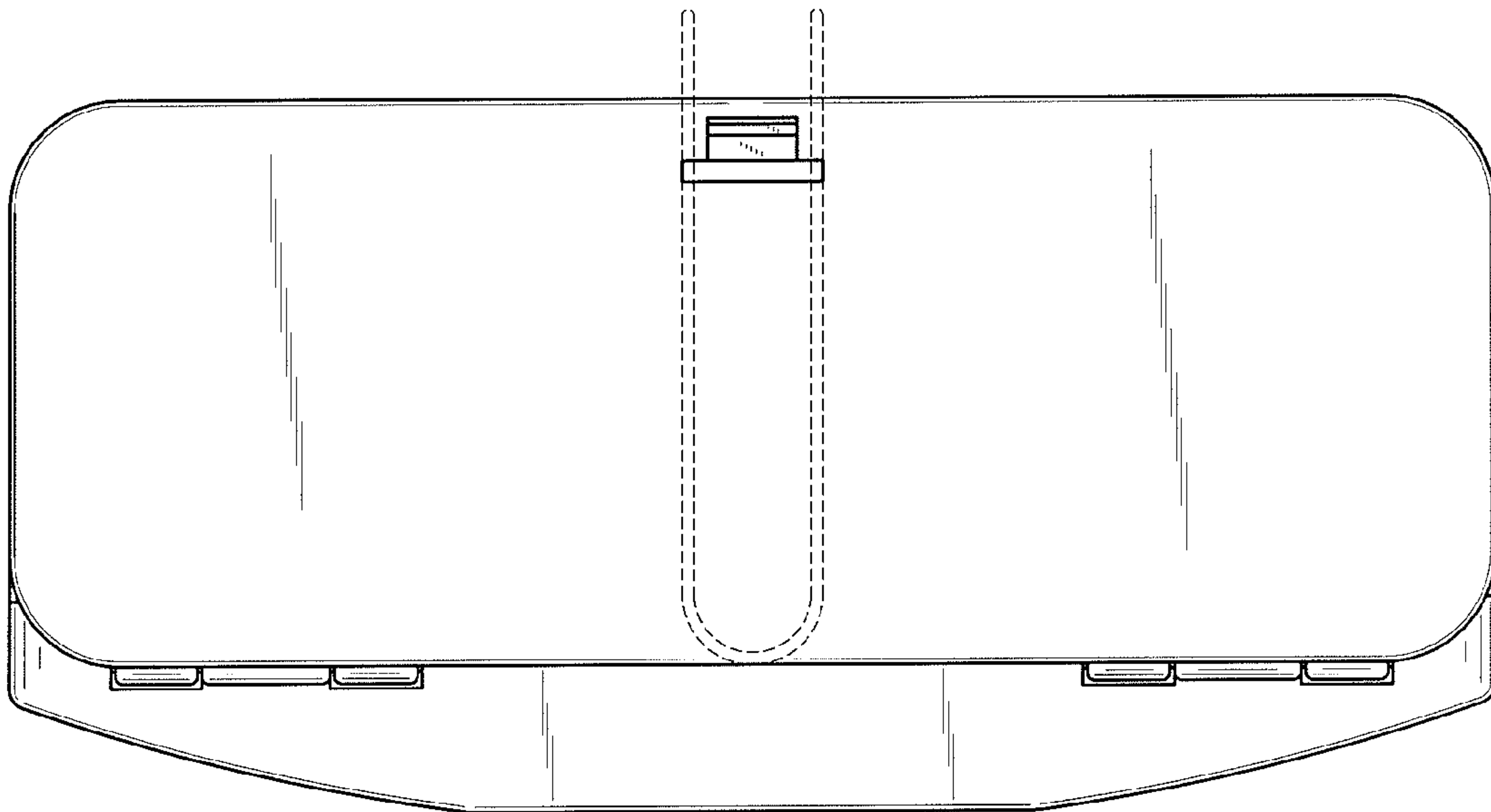


FIG. 6

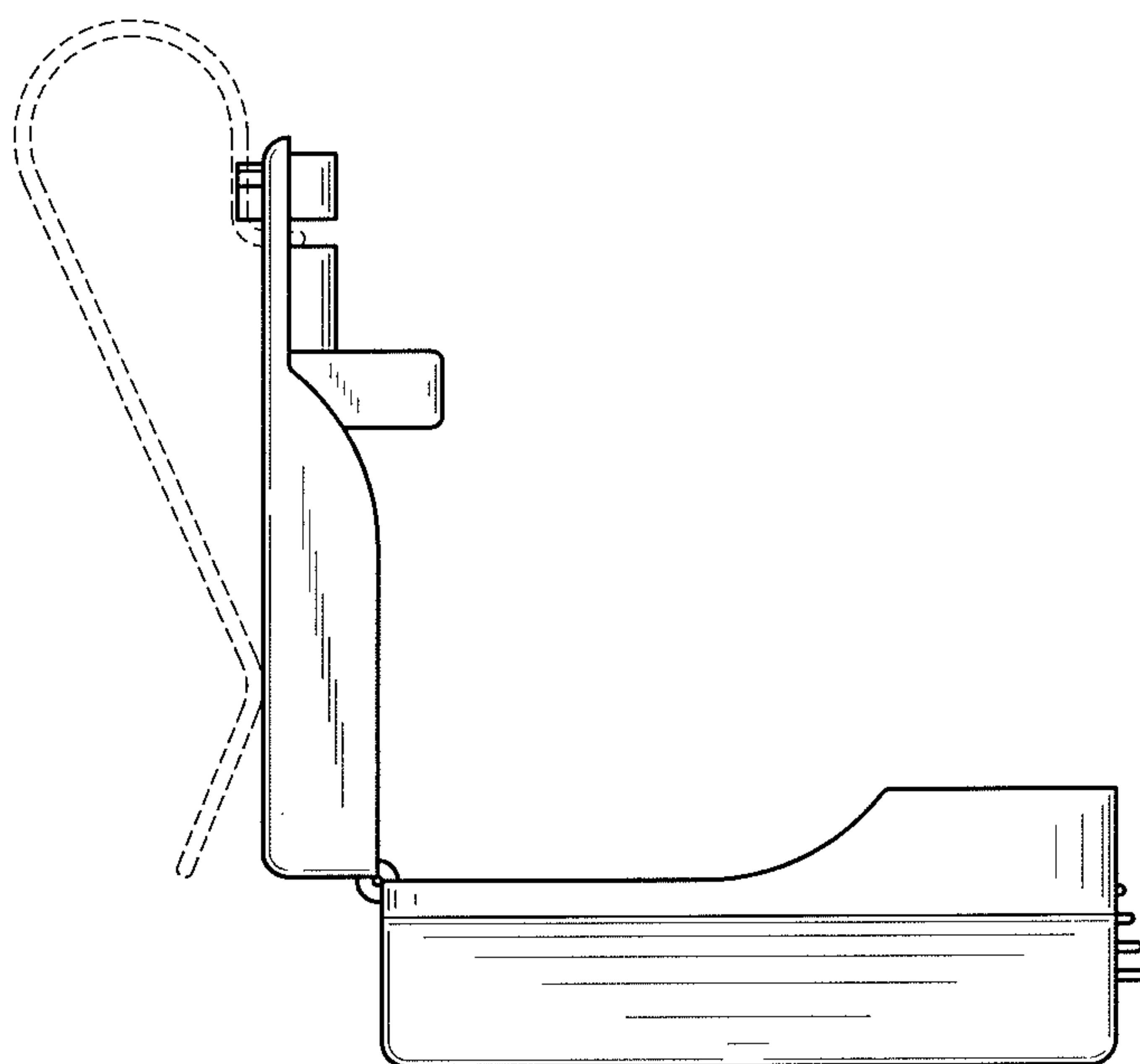


FIG. 7

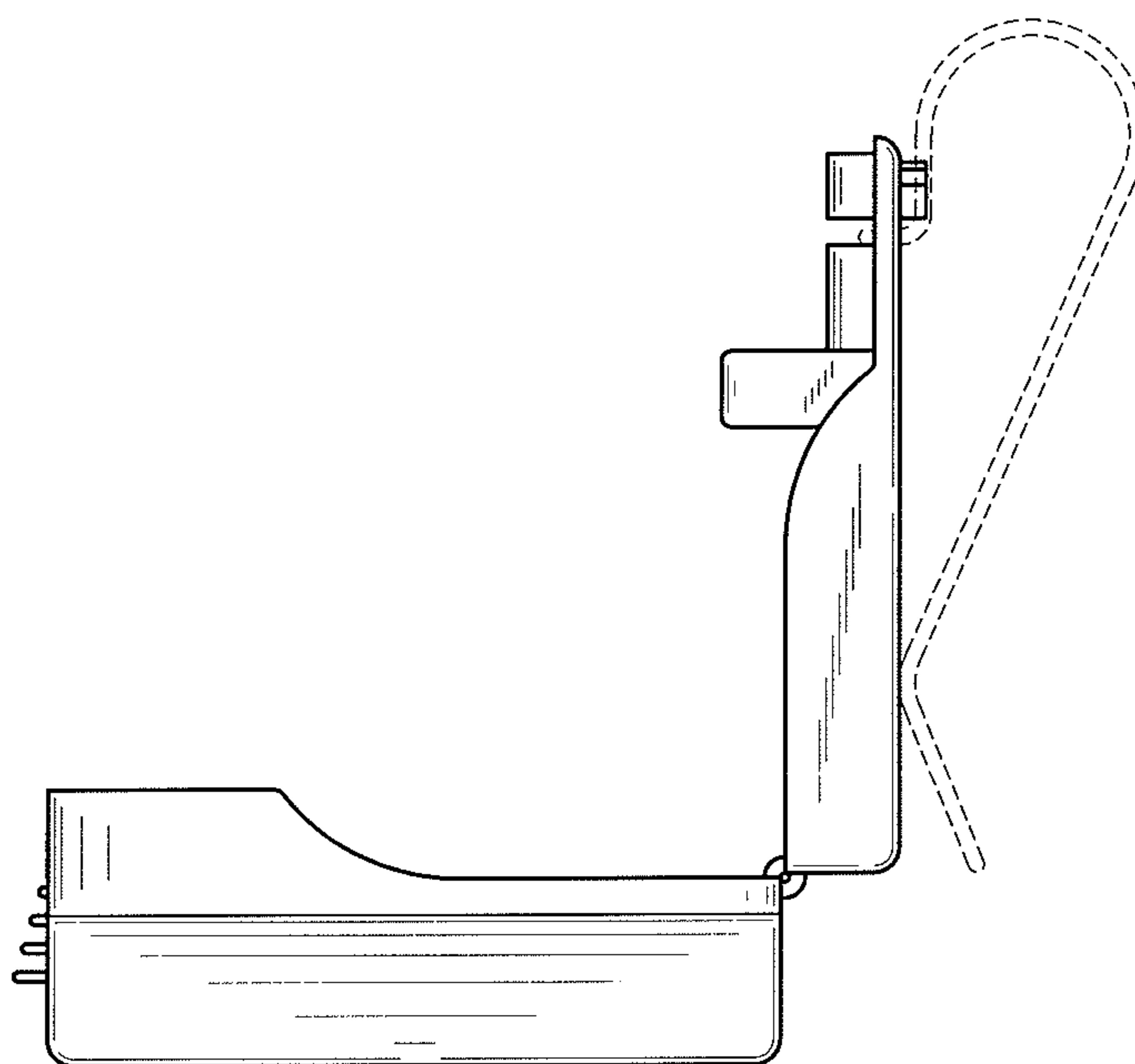


FIG. 8