



US00D714548S

(12) **United States Design Patent**
Roberts

(10) **Patent No.:** **US D714,548 S**
(45) **Date of Patent:** **** Oct. 7, 2014**

- (54) **CONTACT LENS CASE**
- (71) Applicant: **Atrion Medical Products, Inc.**, Arab, AL (US)
- (72) Inventor: **Brian A. Roberts**, Owens Cross Roads, AL (US)
- (73) Assignee: **Atrion Medical Products, Inc.**, Arab, AL (US)
- (**) Term: **14 Years**
- (21) Appl. No.: **29/435,589**
- (22) Filed: **Oct. 25, 2012**
- (51) **LOC (10) Cl.** **03-01**
- (52) **U.S. Cl.**
USPC **D3/264**
- (58) **Field of Classification Search**
USPC D3/219, 252, 263, 264, 265; 206/5, 5.1, 206/6
See application file for complete search history.

- 6,000,534 A 12/1999 Koomruian, Jr.
- D420,744 S 2/2000 Ostgaard et al.
- 6,148,992 A 11/2000 Kanner et al.
- 6,453,919 B2 * 9/2002 Stewart, III 134/201
- 6,688,487 B2 2/2004 Oakes et al.
- 6,945,389 B2 9/2005 Scherer et al.
- D571,610 S 6/2008 Bodum
- D624,789 S 10/2010 Bodum
- D646,056 S * 10/2011 Kanner et al. D3/264

(Continued)

Primary Examiner — T. Chase Nelson
(74) *Attorney, Agent, or Firm* — James R. Foley; Clark Hill PLC

(57) **CLAIM**
The ornamental design for a contact lens case, as shown and described.

DESCRIPTION

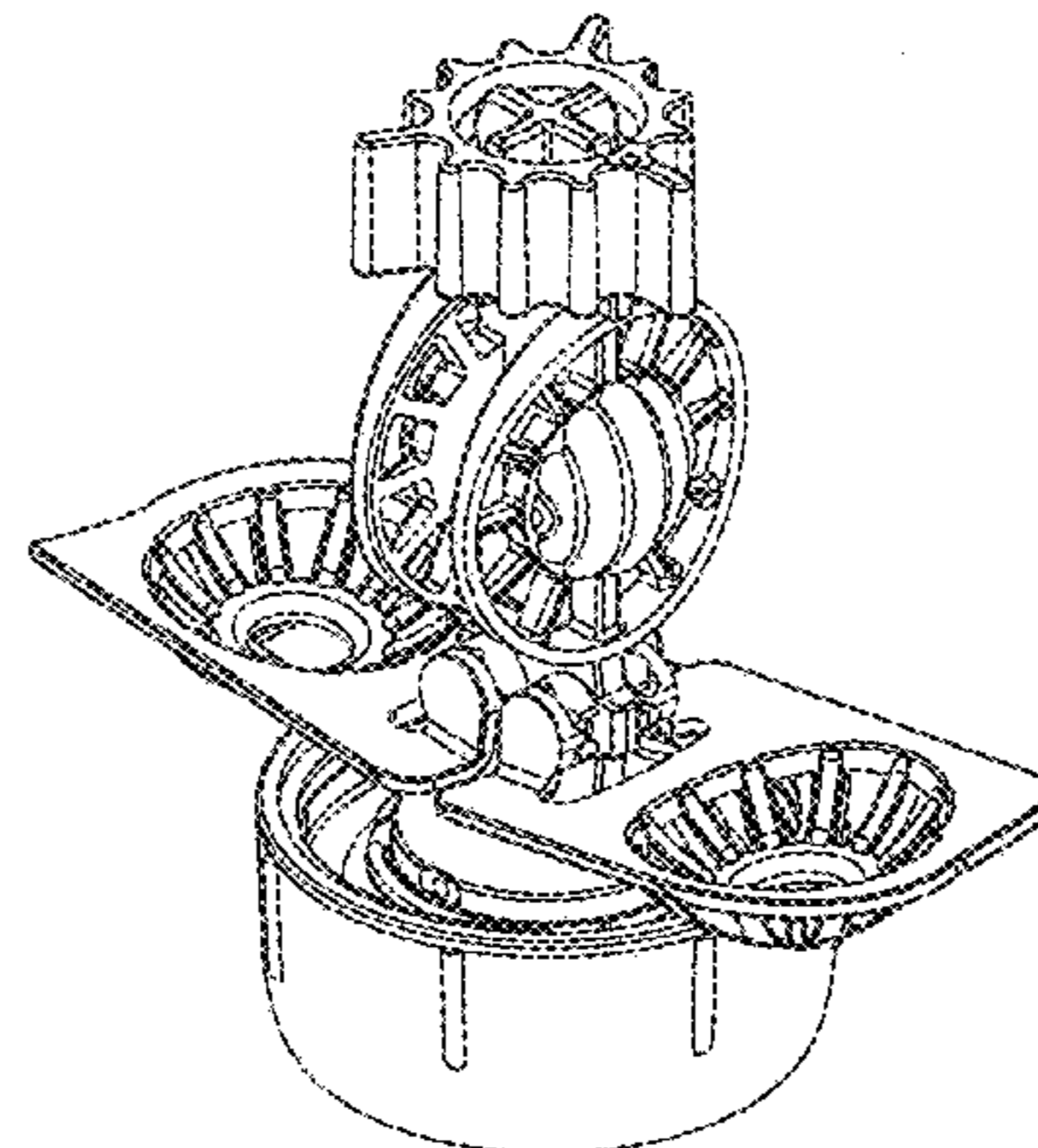
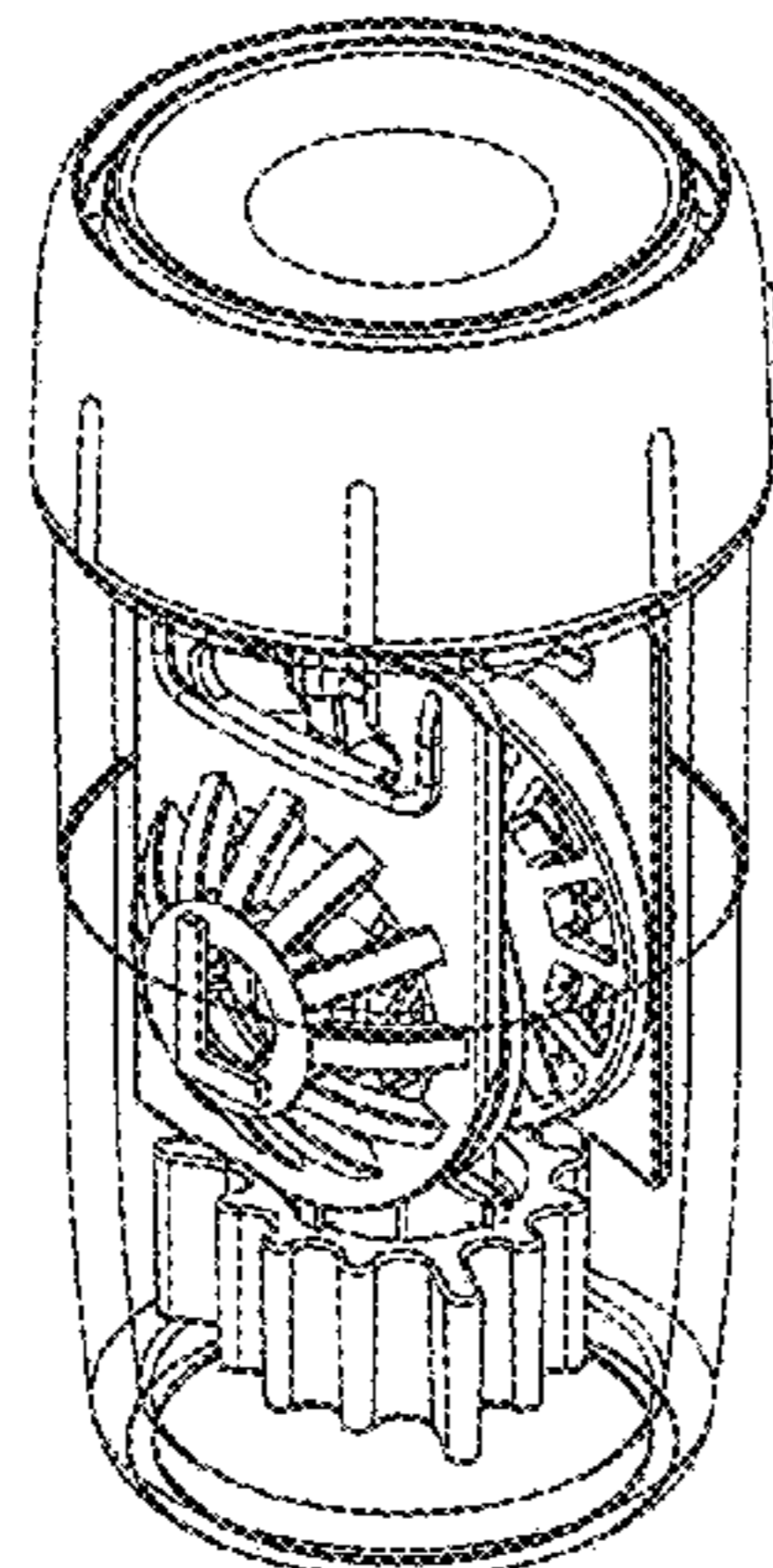
FIG. 1 is a perspective view of a contact lens case showing my new design;
 FIG. 2 is a side elevational view thereof;
 FIG. 3 is a side elevational view of the side opposite the side shown in FIG. 2;
 FIG. 4 is a front elevational view thereof;
 FIG. 5 is a rear elevational view thereof;
 FIG. 6 is a top plan view thereof;
 FIG. 7 is a bottom plan view thereof;
 FIG. 8 is a perspective view of the integral cap and lens support structure of the contact lens case shown in FIGS. 1-7;
 FIG. 9 is a top plan view thereof;
 FIG. 10 is a front elevational view thereof;
 FIG. 11 is a rear elevational view thereof;
 FIG. 12 is a side elevational view thereof;
 FIG. 13 is a side elevational view of the side opposite the side shown in FIG. 12; and,
 FIG. 14 is a bottom plan view thereof.
 The separate showing of the integral cap and lens support structure in FIGS. 8-14 is for ease of illustration only.

1 Claim, 5 Drawing Sheets

(56) **References Cited**

U.S. PATENT DOCUMENTS

D117,705 S	11/1939	Abrams	
3,052,246 A	9/1962	Beard	
3,645,284 A	2/1972	Krezanoski et al.	
4,009,777 A *	3/1977	Thomas	206/5.1
4,807,750 A *	2/1989	Ryder et al.	206/5.1
4,890,729 A	1/1990	Ranalletta	
5,089,240 A	2/1992	Perlaky	
5,186,317 A	2/1993	Ryder et al.	
5,196,174 A	3/1993	Cerola et al.	
D341,615 S	11/1993	Ifejika	
5,270,002 A	12/1993	Neff, II et al.	
5,366,078 A	11/1994	Braun	
5,388,686 A	2/1995	Kanner et al.	
D356,591 S	3/1995	Kanner et al.	
D366,361 S	1/1996	Kanner et al.	
5,690,211 A *	11/1997	Jao et al.	206/5.1



(56)

References Cited

U.S. PATENT DOCUMENTS

8,038,939 B2 *	10/2011	Kanner	422/28	8,757,367 B2 *	6/2014	Winterton et al.	206/5.1
8,039,245 B2 *	10/2011	Kanner	435/283.1	2008/0185298 A1 *	8/2008	Kanner et al.	206/5.1
D650,171 S	12/2011	Kanner			2008/0272009 A1 *	11/2008	Coon	206/5.1
8,113,341 B2 *	2/2012	Kanner et al.	206/5.1	2010/0233023 A1 *	9/2010	Kanner	422/30
8,141,699 B2 *	3/2012	Kanner et al.	206/5.1	2010/0233039 A1 *	9/2010	Kanner	422/113
8,263,016 B2 *	9/2012	Kanner	422/301	2010/0233040 A1 *	9/2010	Kanner	422/113
8,329,098 B2 *	12/2012	Kanner	422/33	2010/0233041 A1 *	9/2010	Kanner	422/113
8,329,113 B2 *	12/2012	Kanner	422/301	2010/0233049 A1 *	9/2010	Kanner	422/242
8,333,931 B2 *	12/2012	Kanner	422/301	2010/0310415 A1 *	12/2010	Kanner	422/29
8,343,435 B2 *	1/2013	Kanner	422/301	2010/0310429 A1 *	12/2010	Kanner	422/113
8,550,238 B2 *	10/2013	Josephson et al.	206/5.1	2011/0073497 A1 *	3/2011	Kanner et al.	206/5.1
					2011/0180429 A1 *	7/2011	Josephson et al.	206/205
					2012/0152284 A1 *	6/2012	Winterton et al.	134/18
					2013/0280142 A1 *	10/2013	Sturm et al.	422/292

* cited by examiner

FIG. 1

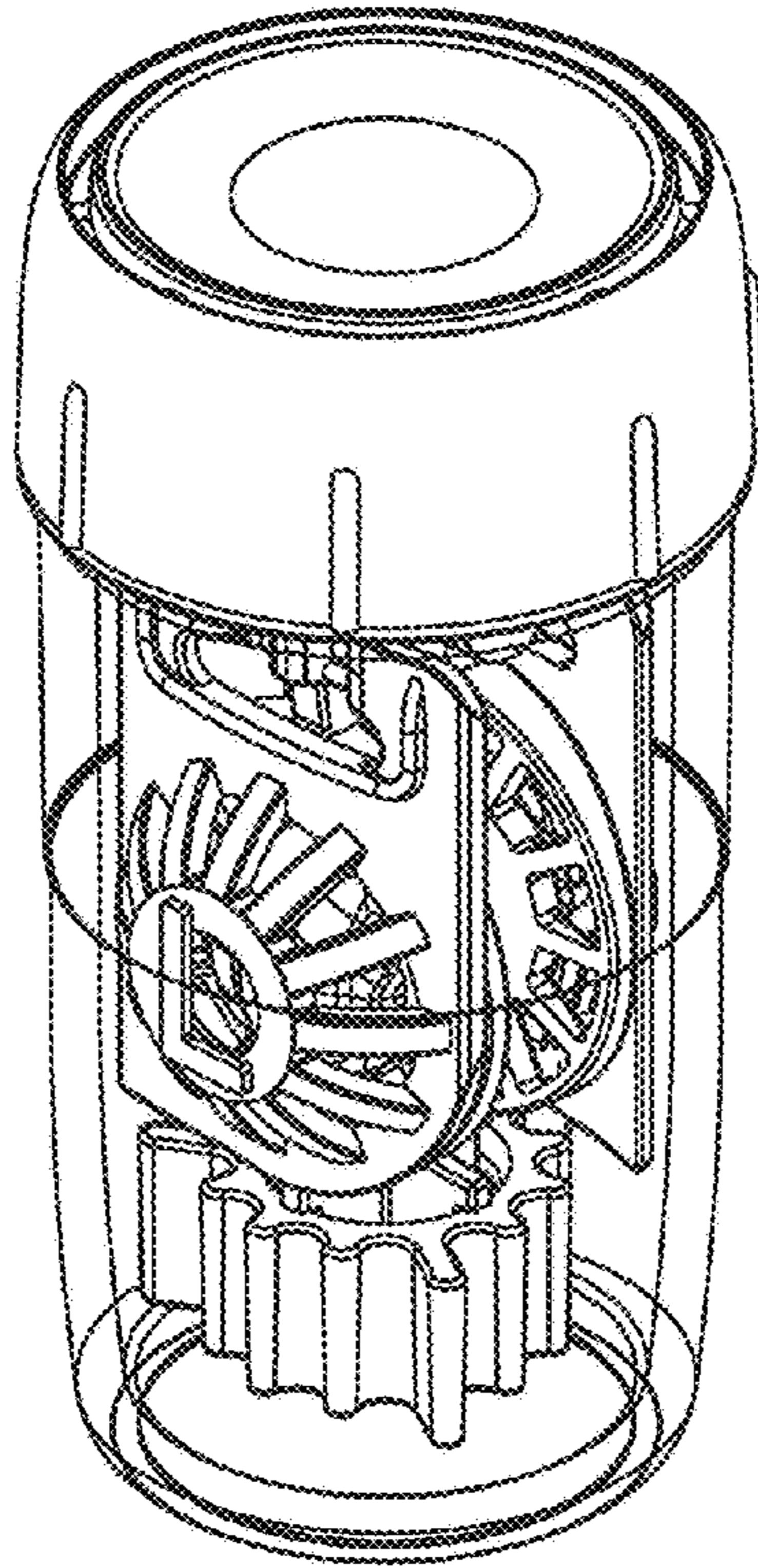


FIG. 2

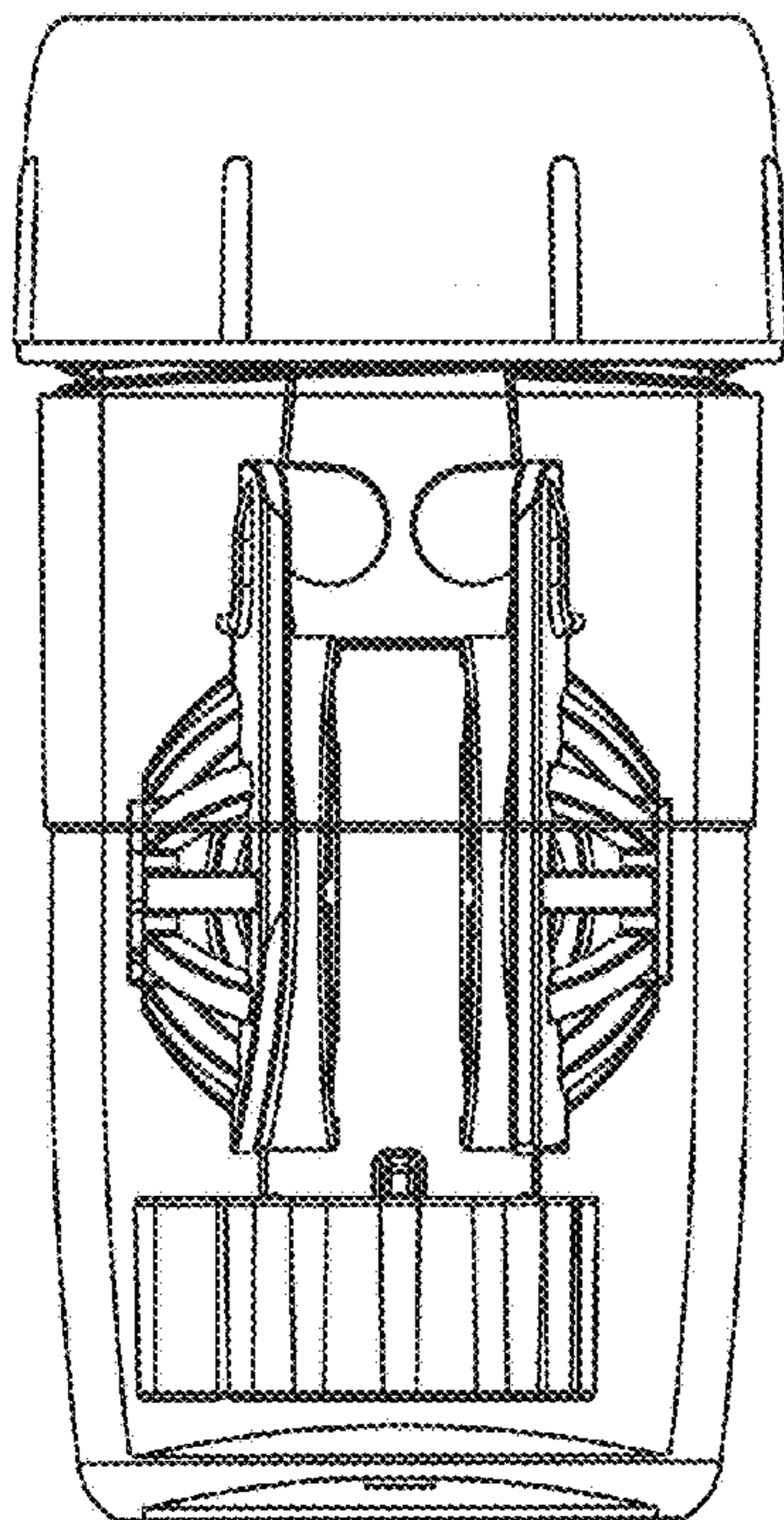


FIG. 3

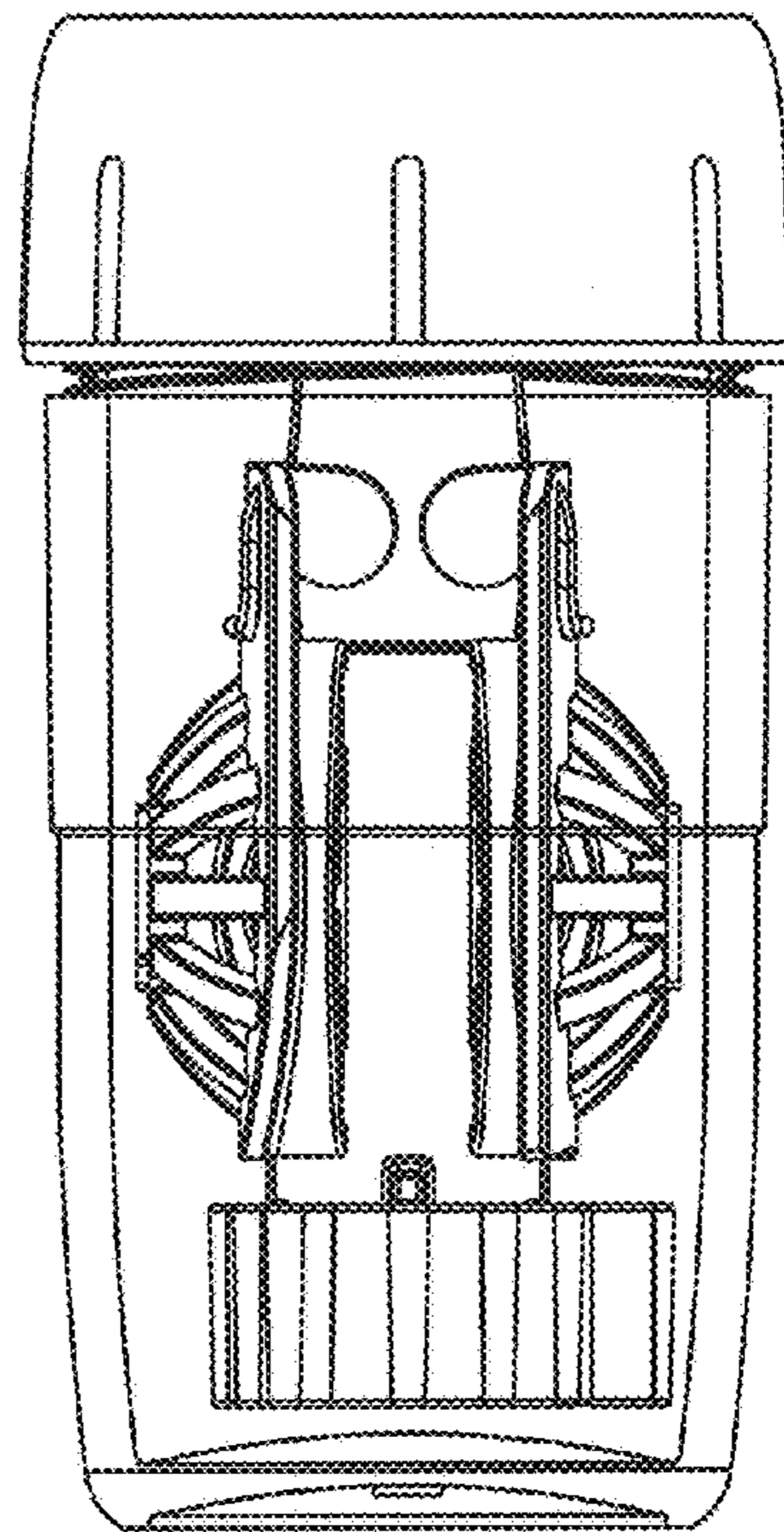


FIG. 4

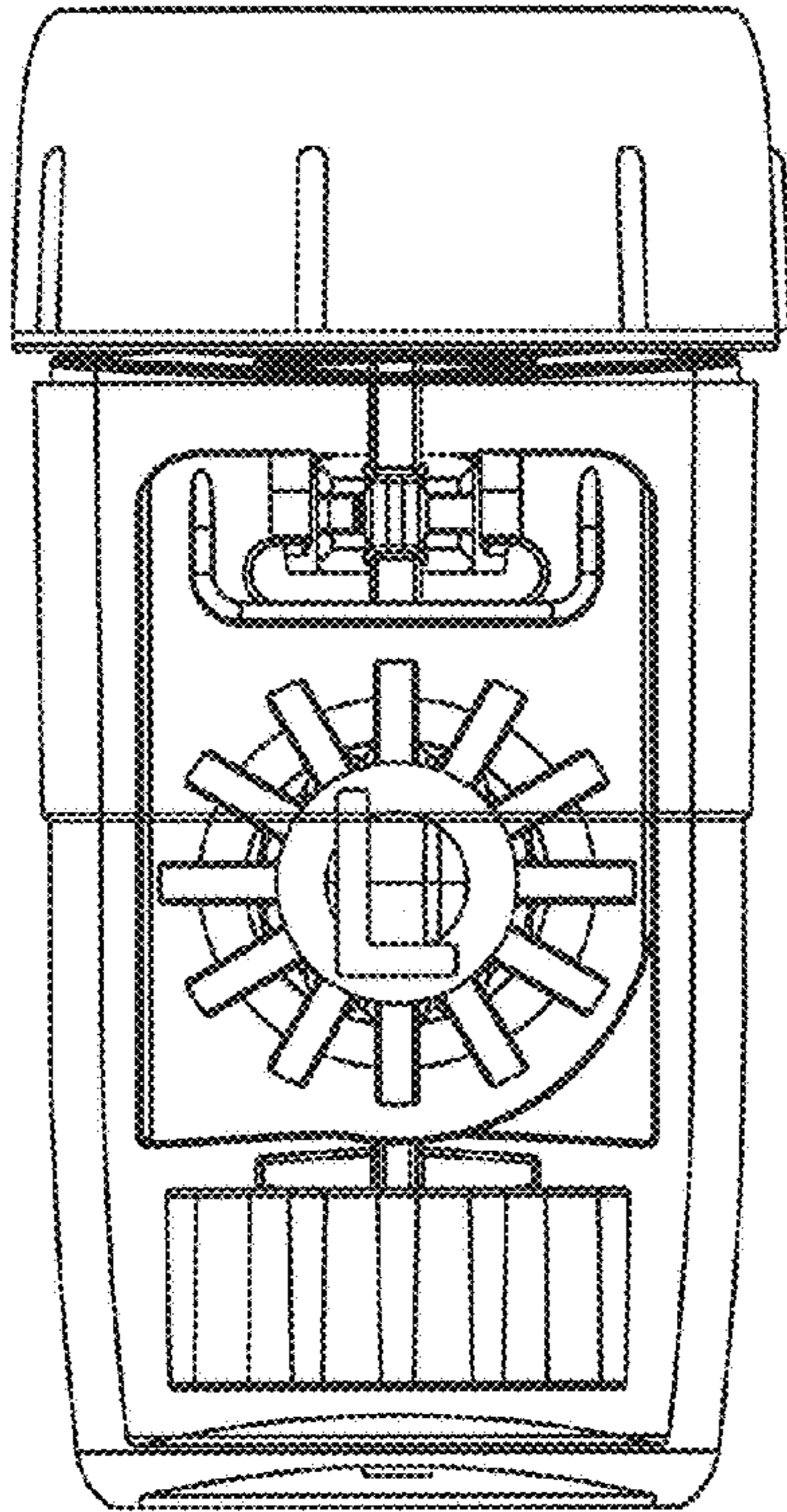


FIG. 5

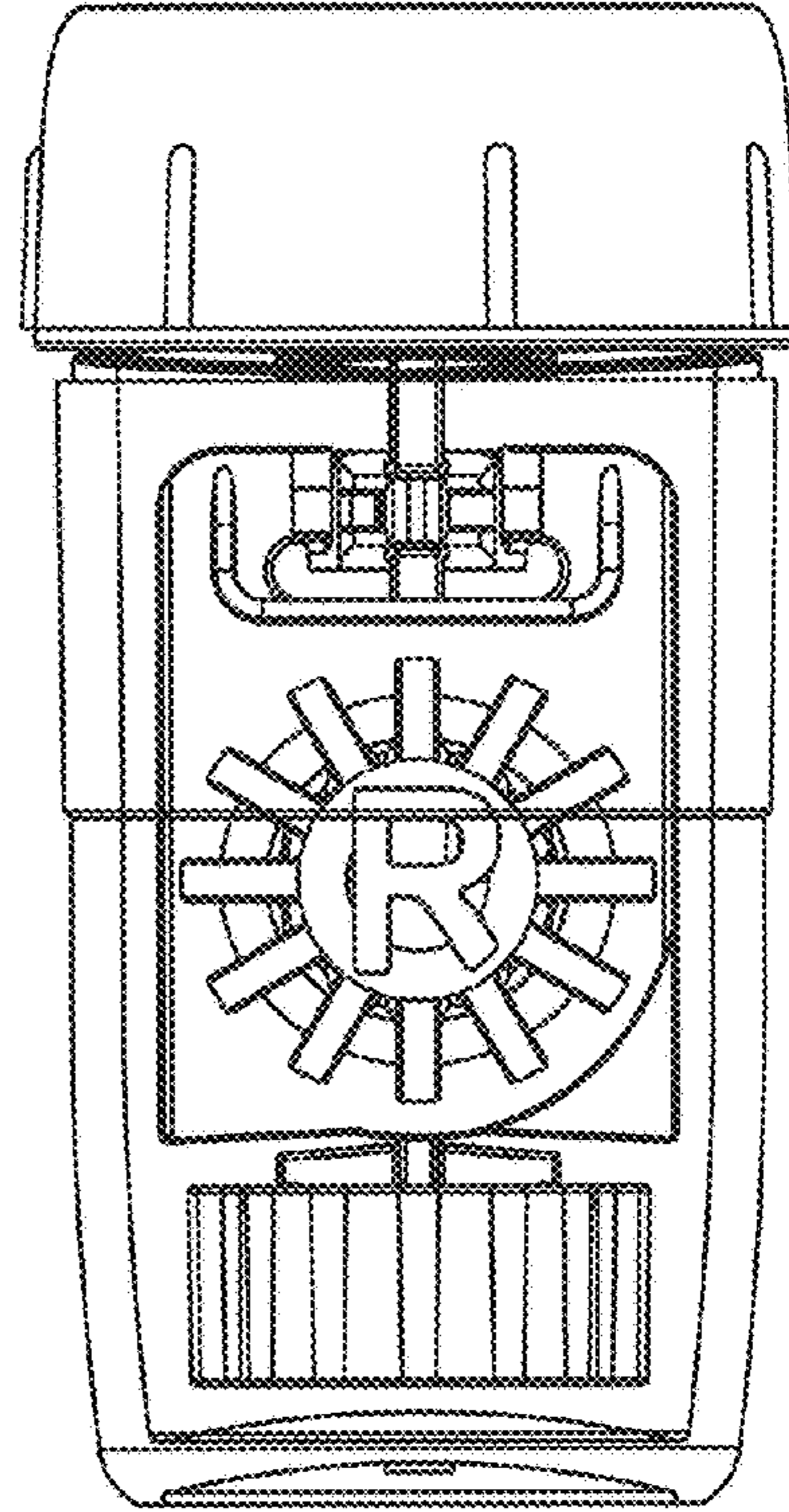


FIG. 6

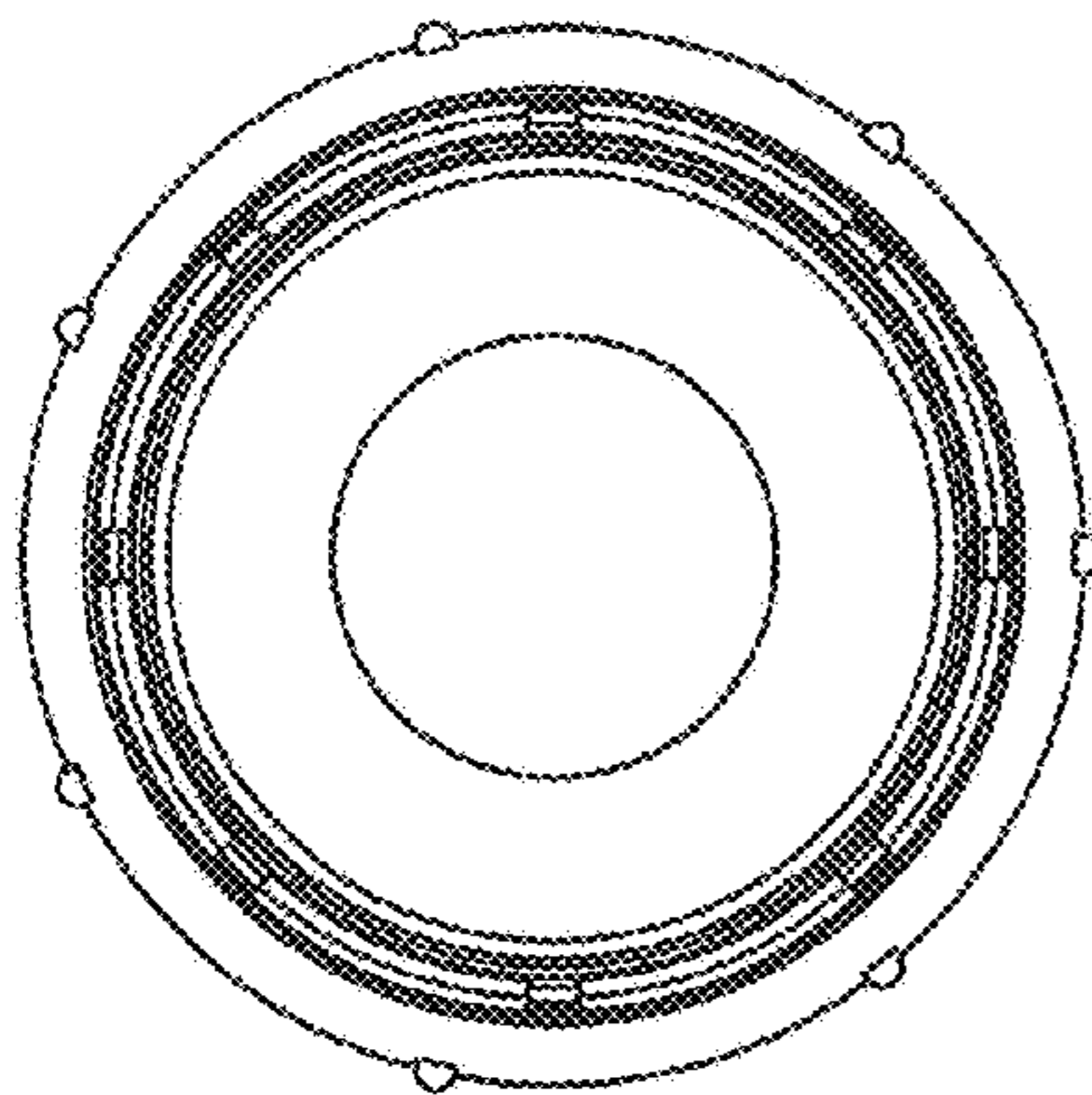


FIG. 7

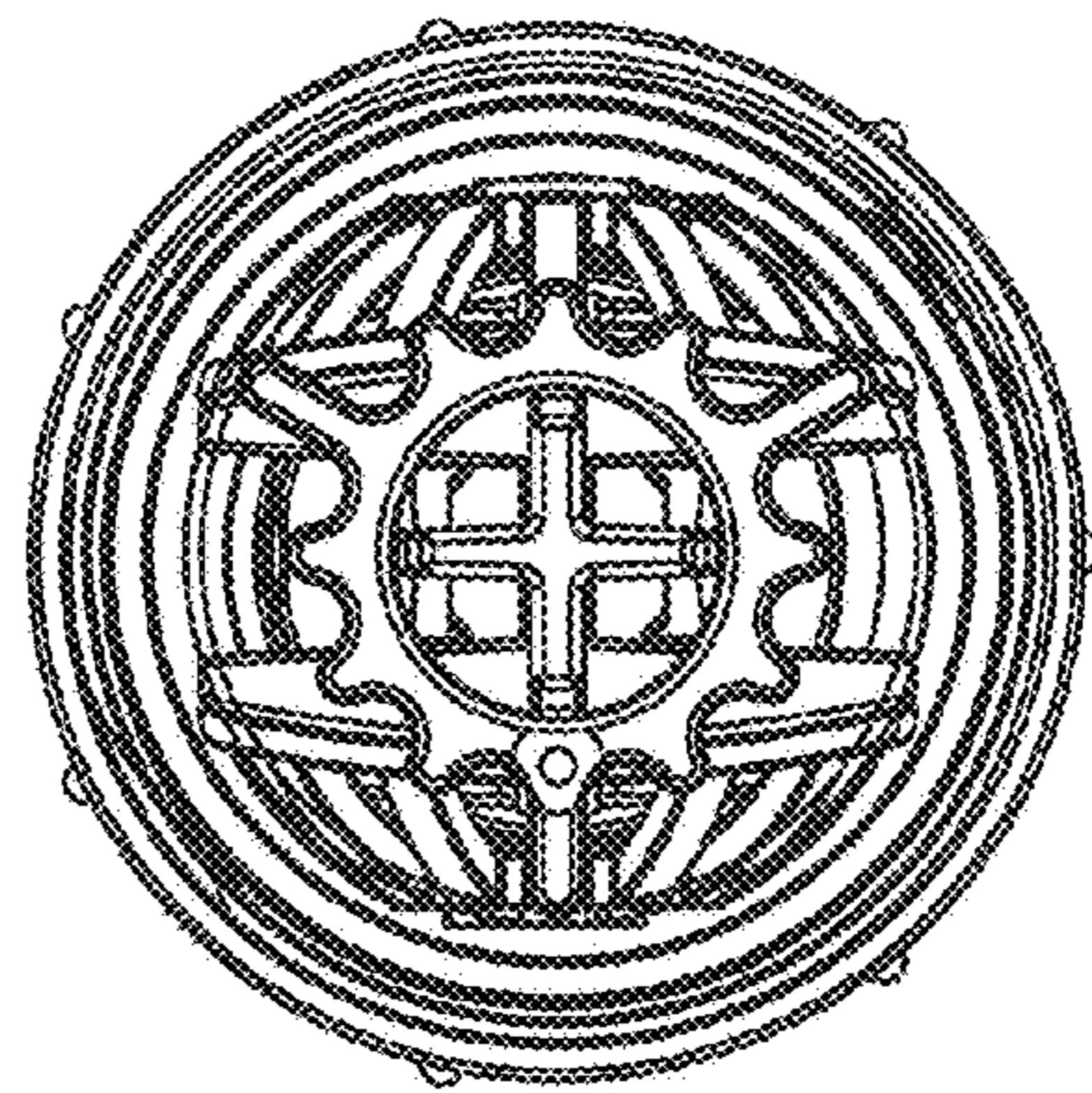


FIG. 8

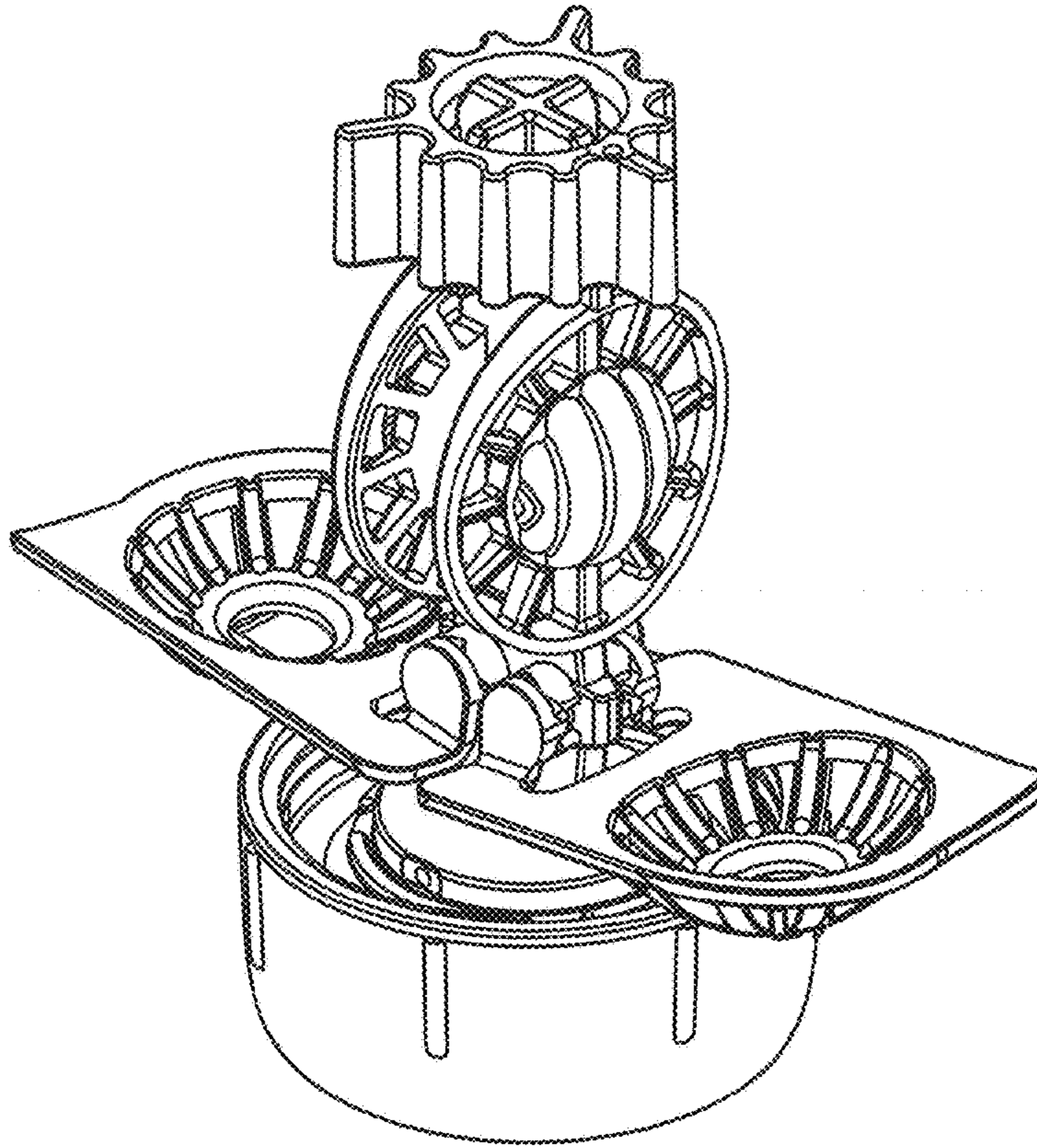


FIG. 9

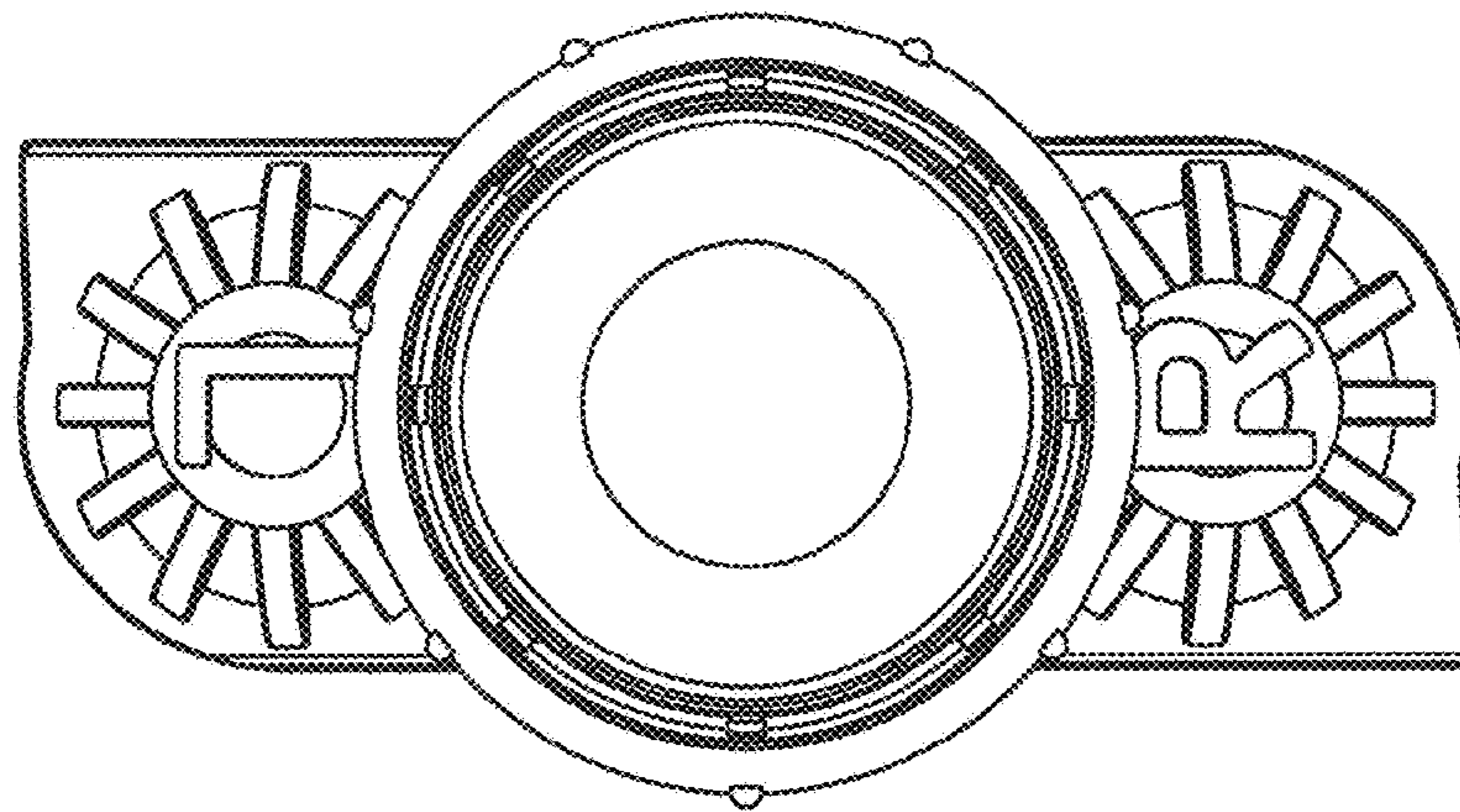


FIG. 10

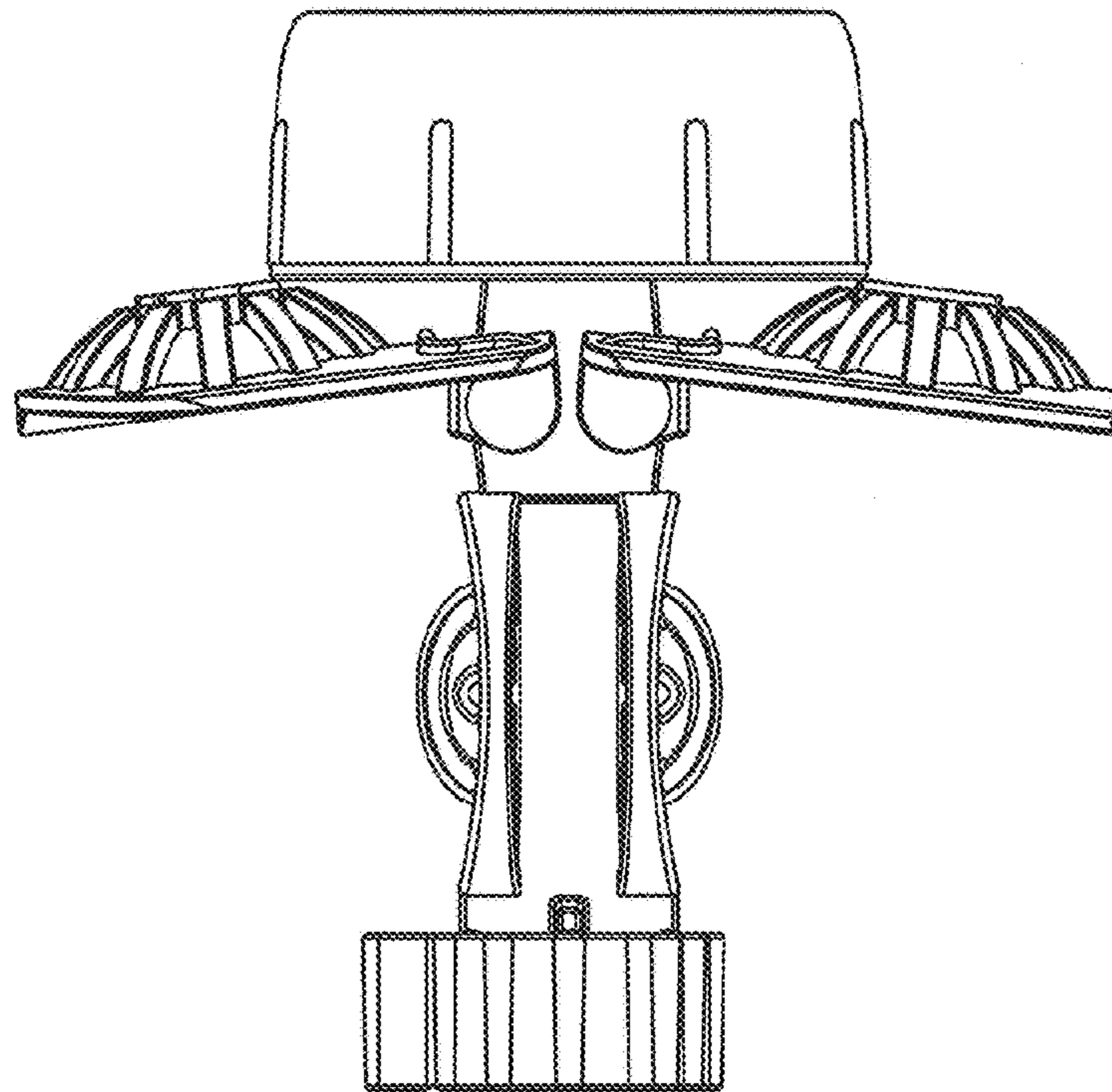


FIG. 11

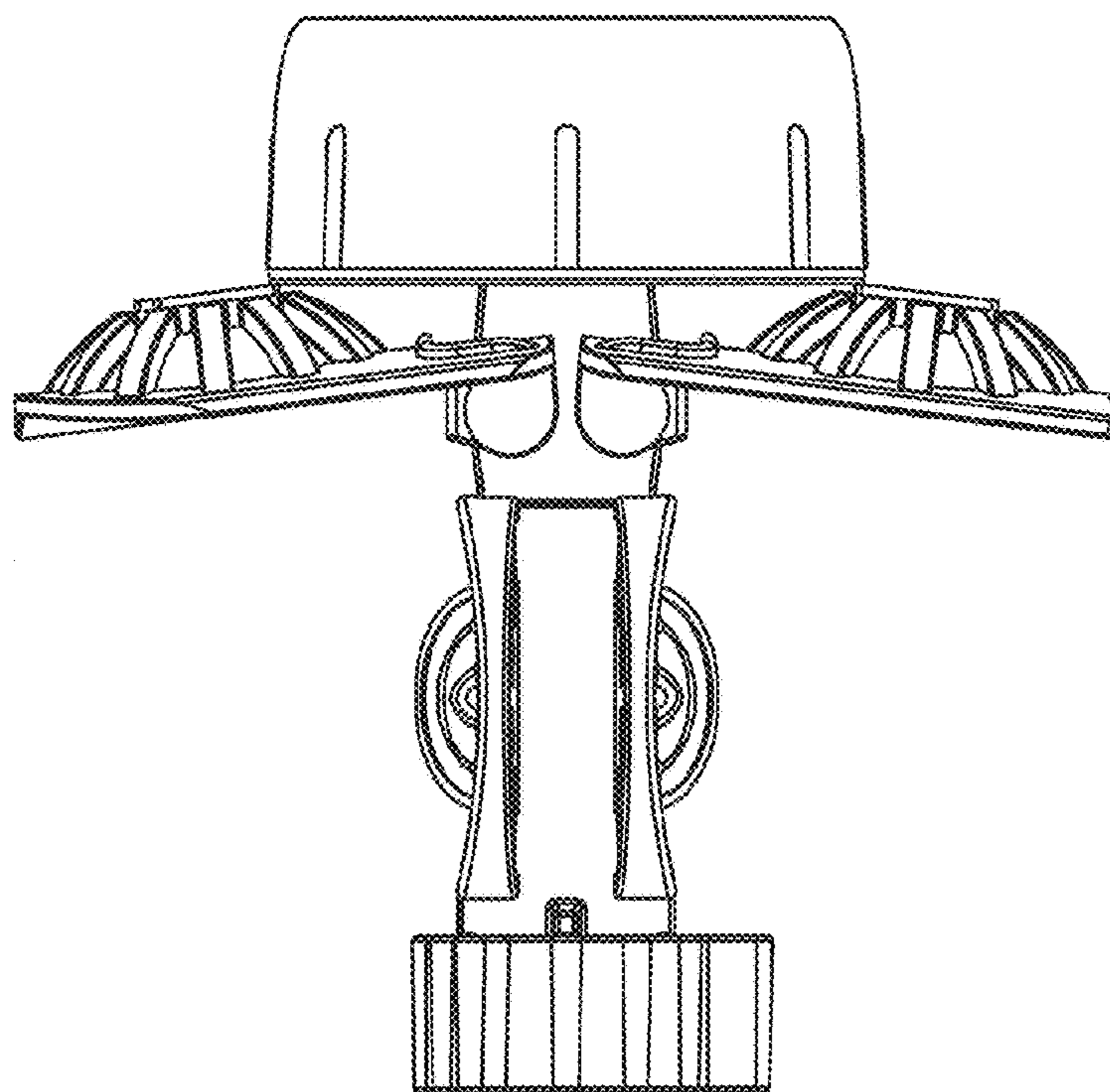


FIG. 12

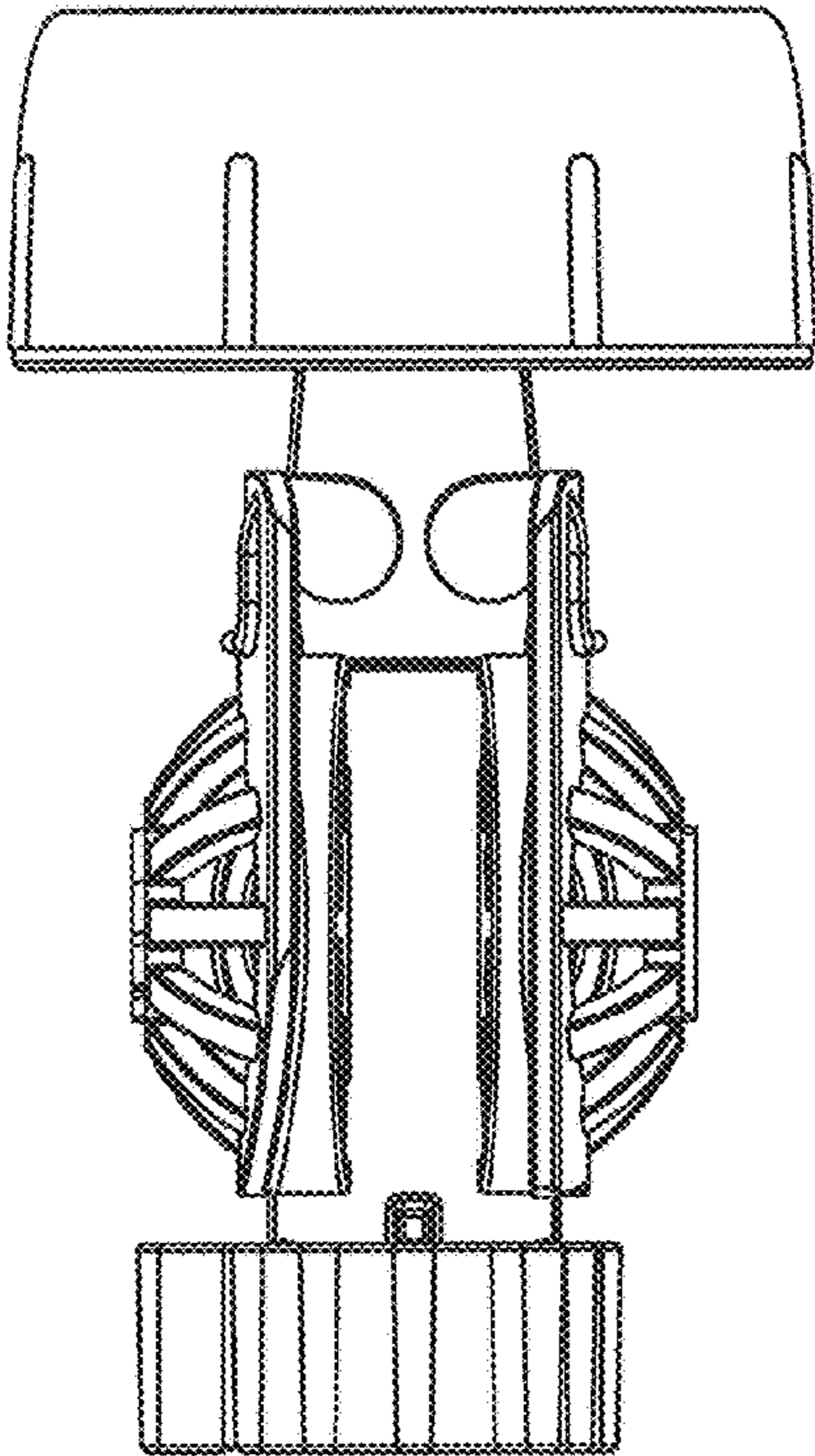


FIG. 13

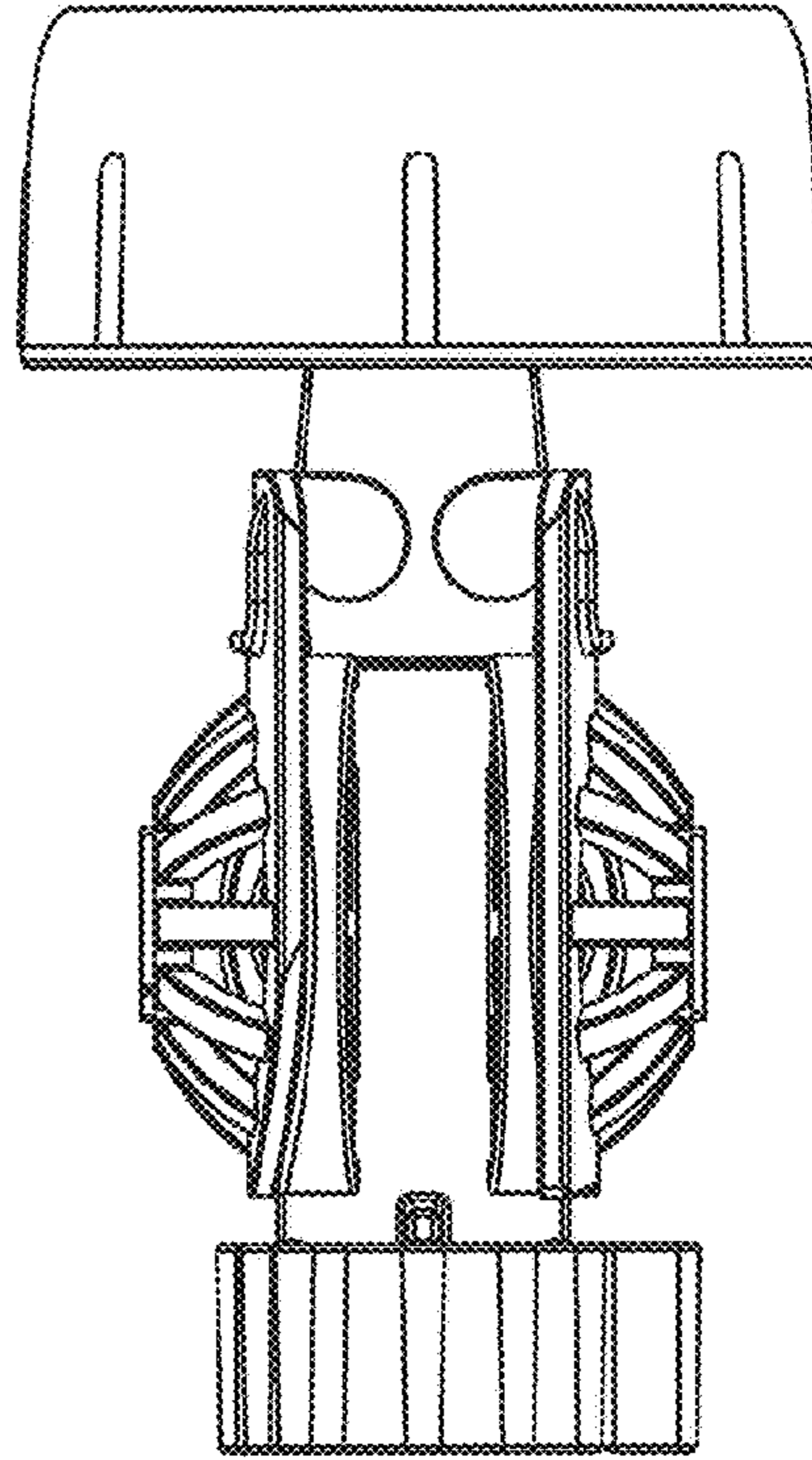


FIG. 14

