



US00D714546S

(12) **United States Design Patent**  
**Joo et al.**

(10) **Patent No.:** **US D714,546 S**

(45) **Date of Patent:** **\*\* Oct. 7, 2014**

(54) **TOTE**

6,283,183 B1 \* 9/2001 Cooper ..... 150/112  
D686,412 S \* 7/2013 Guichot ..... D3/232

(71) Applicant: **Skip Hop, Inc.**, New York, NY (US)

\* cited by examiner

(72) Inventors: **Rany Joo**, Hawthorne, NY (US); **Ellen Diamant**, New York, NY (US)

*Primary Examiner* — Holly Baynham

(73) Assignee: **Skip Hop, Inc.**, New York, NY (US)

(74) *Attorney, Agent, or Firm* — Stephen J. Weyer, Esq.; Stites & Harbison, PLLC.

(\*\*) Term: **14 Years**

(57) **CLAIM**

(21) Appl. No.: **29/459,259**

The ornamental design for a tote, as shown and described.

(22) Filed: **Jun. 27, 2013**

(51) **LOC (10) Cl.** ..... **03-01**

**DESCRIPTION**

(52) **U.S. Cl.**  
USPC ..... **D3/245**

(58) **Field of Classification Search**

CPC ..... A45C 3/06; A45C 1/024  
USPC ..... D3/232–233, 240–243, 245–246;  
150/100, 103–110, 113–114, 117–119  
See application file for complete search history.

FIG. 1 is a perspective view taken from the top, front, and left side of the tote of the present invention.

FIG. 2 is a left side elevational view of the tote of FIG. 1, the opposite side being nearly a mirror image thereof.

FIG. 3 is a bottom plan view of the tote of FIG. 1.

FIG. 4 is a top plan view of the tote of FIG. 1.

FIG. 5 is a front elevational view of the tote of FIG. 1; and,

FIG. 6 is a rear elevational view of the tote of FIG. 1.

The broken lines representing stitching are part of the claimed design.

(56) **References Cited**

**U.S. PATENT DOCUMENTS**

5,881,788 A \* 3/1999 Hersh et al. .... 150/116

**1 Claim, 6 Drawing Sheets**

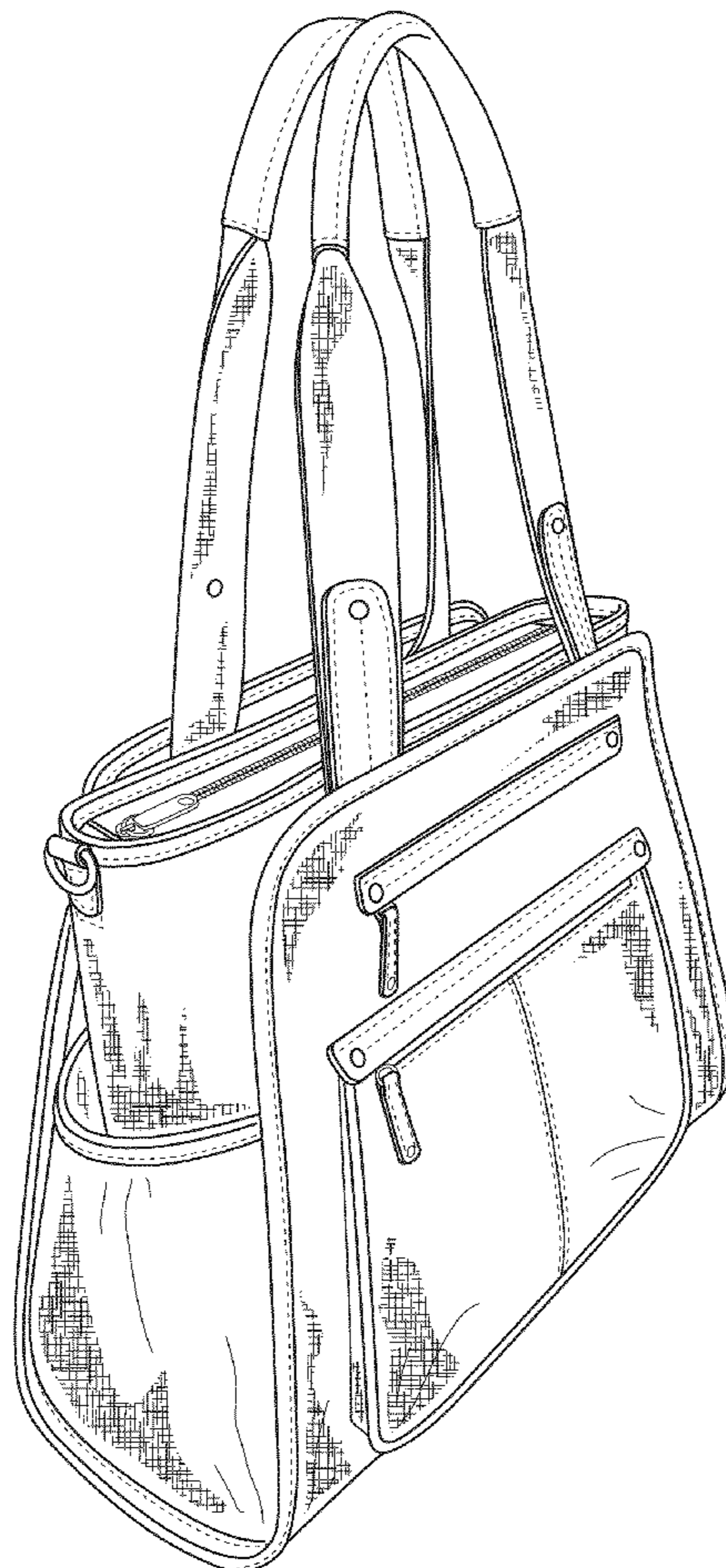
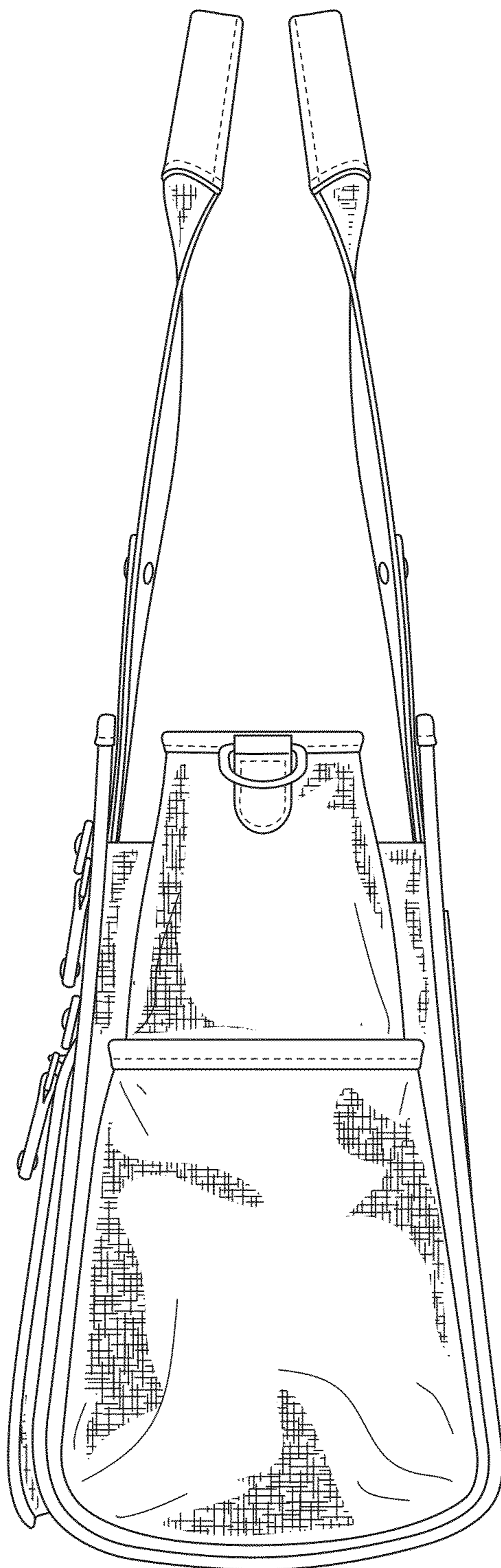




FIG. 1

FIG. 2



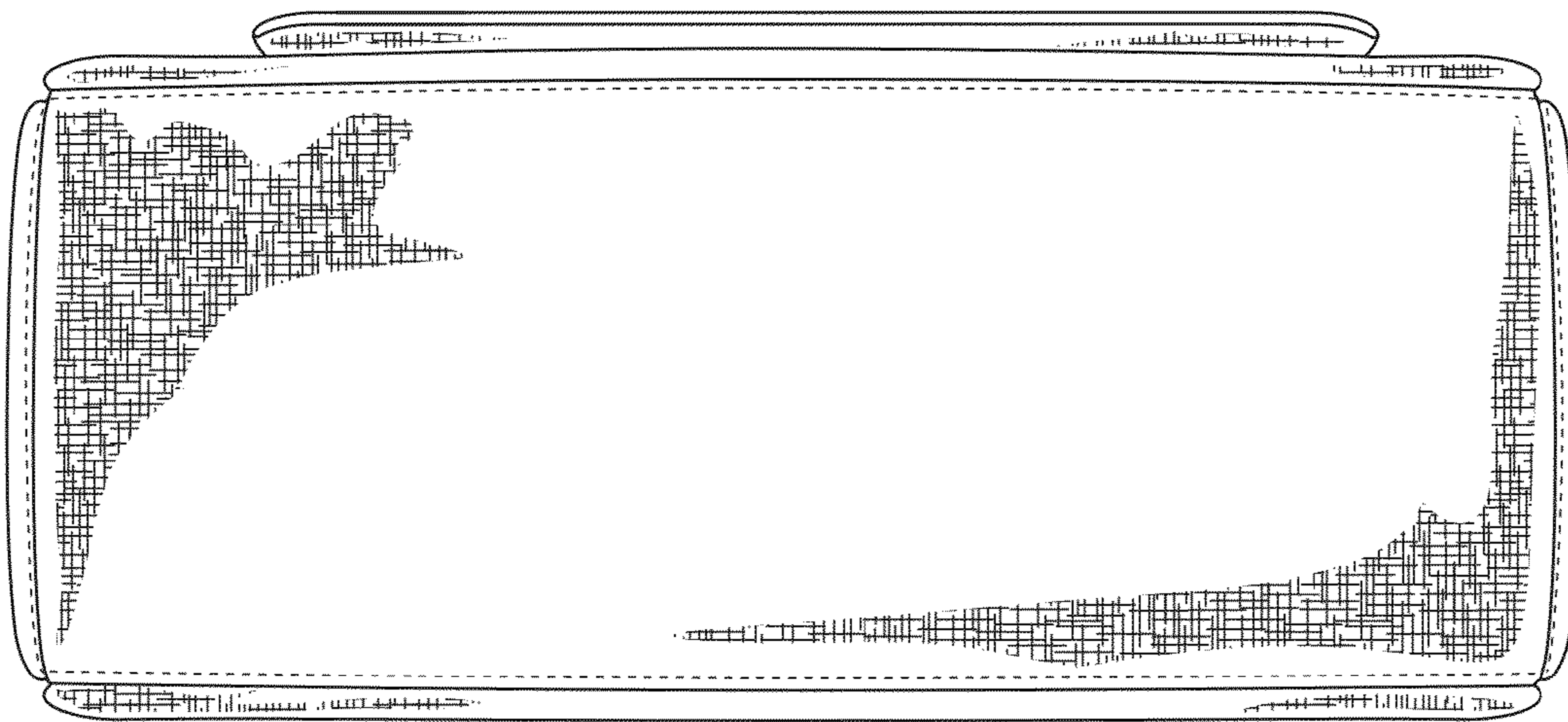


FIG. 3

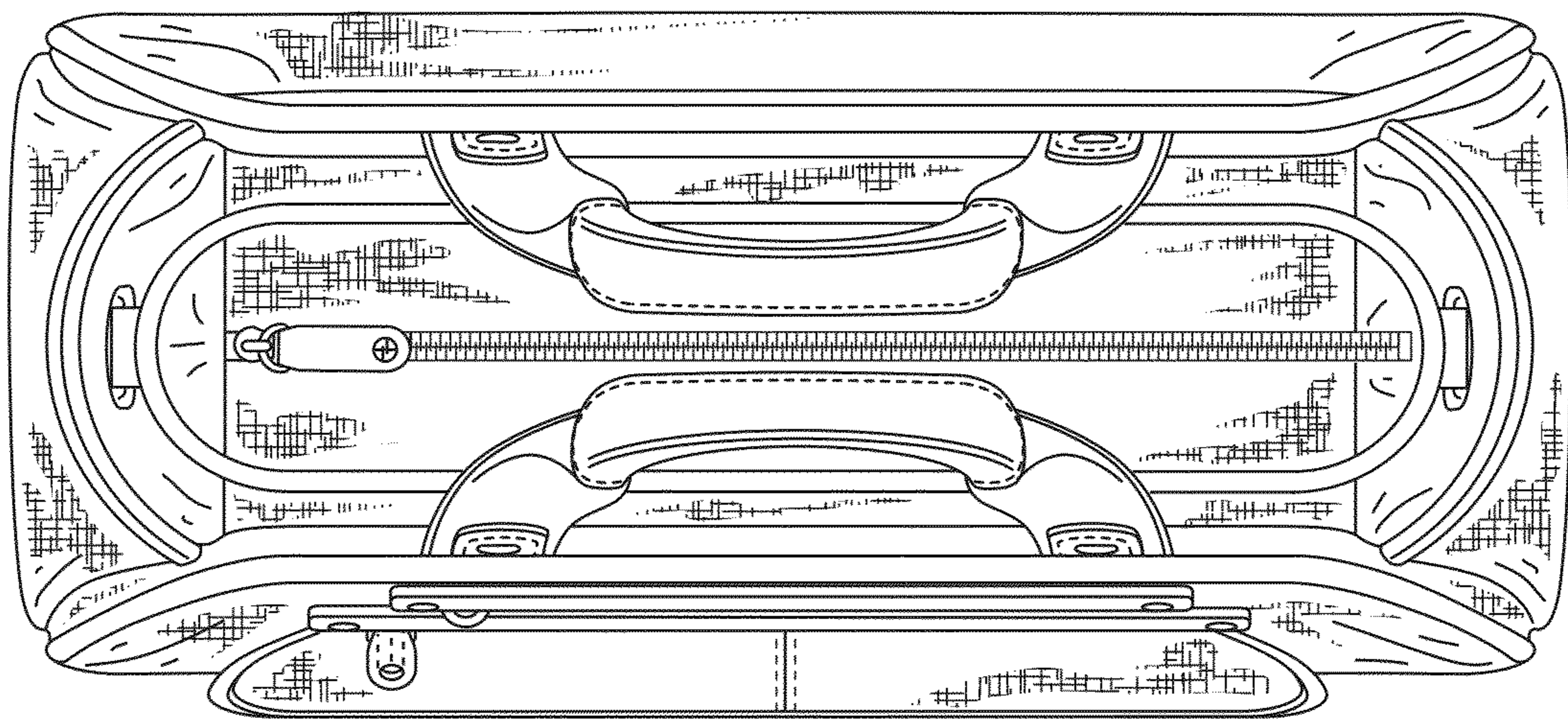


FIG. 4

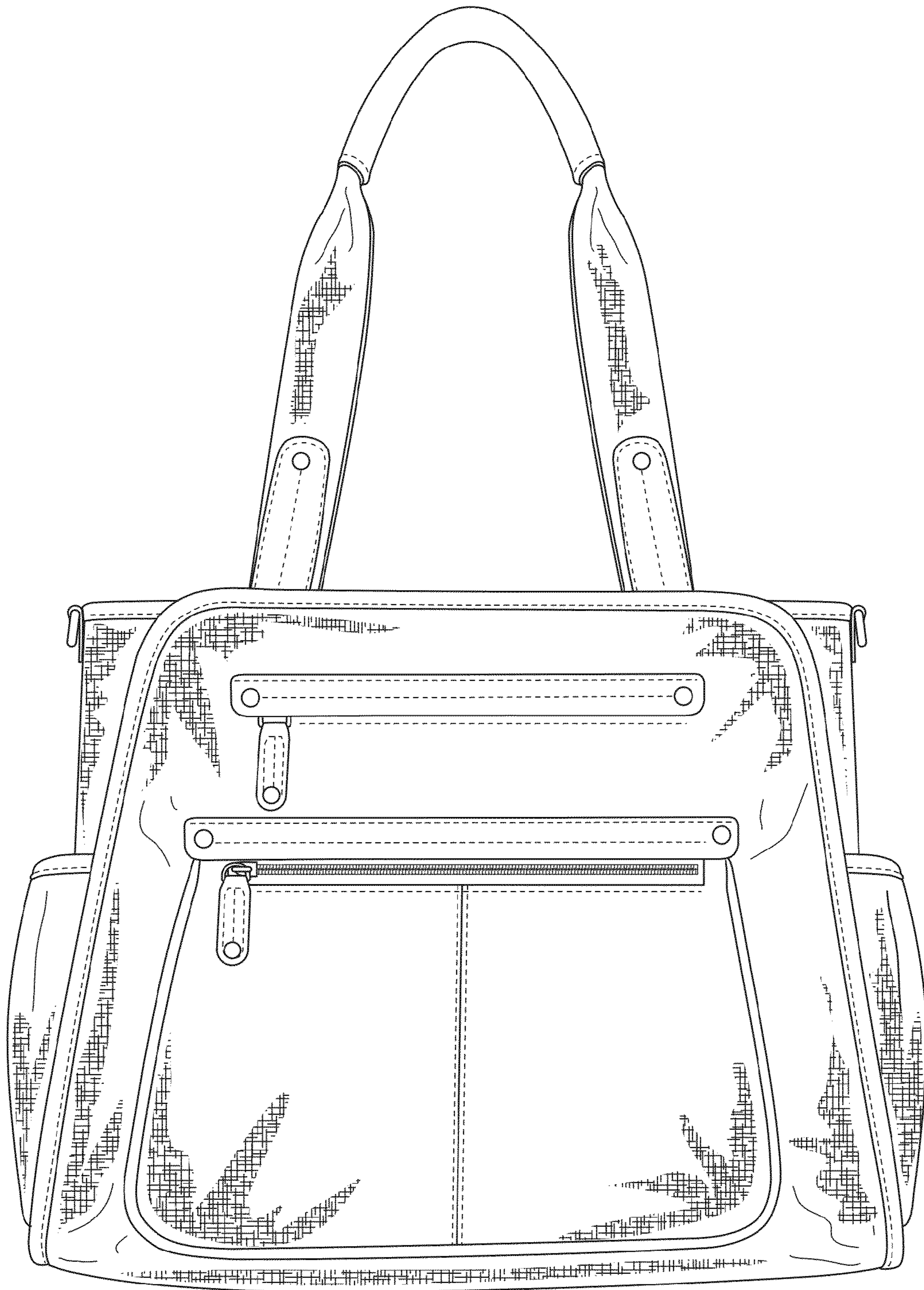


FIG. 5

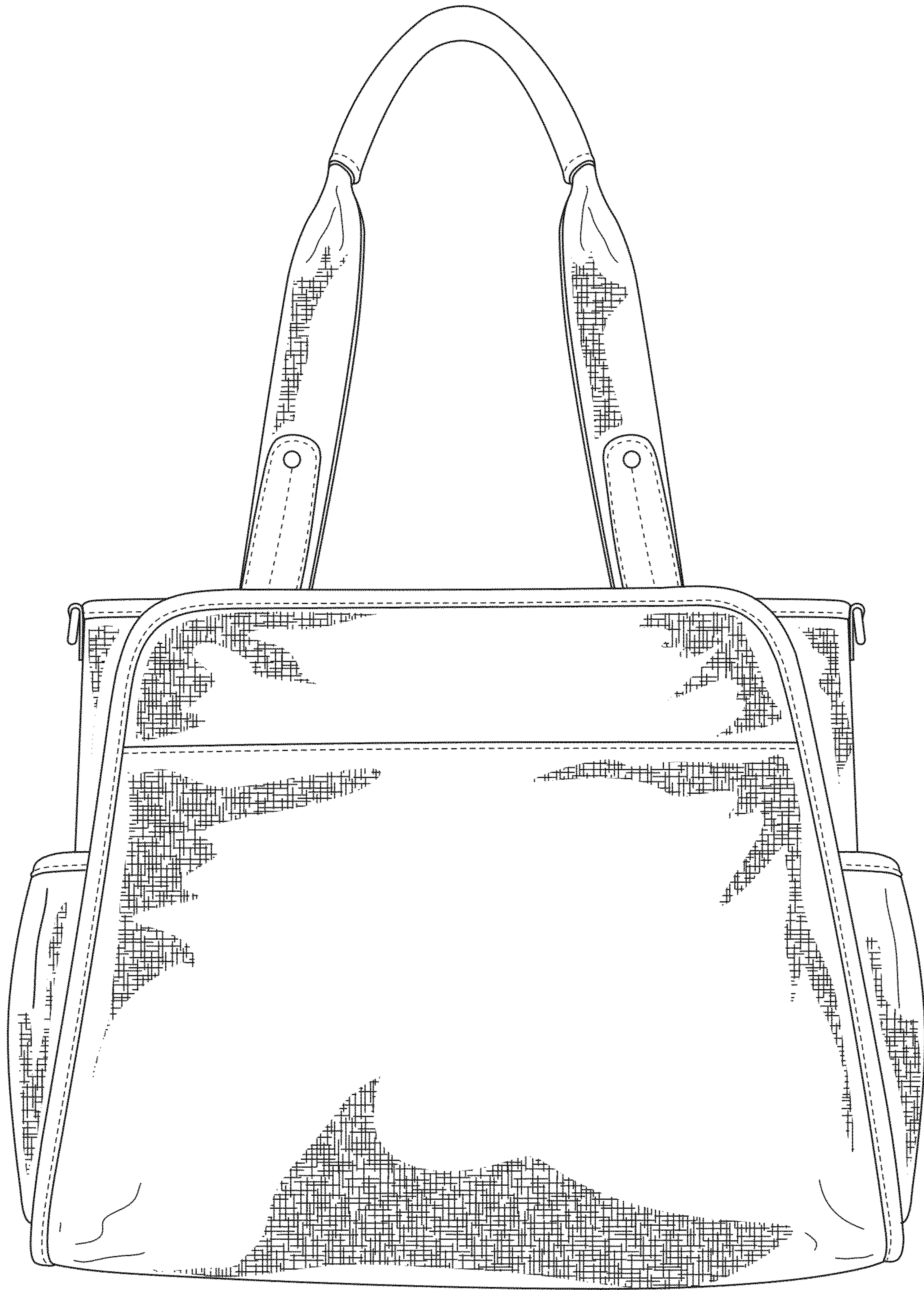


FIG. 6