



US00D714543S

(12) **United States Design Patent**
Huang

(10) **Patent No.:** **US D714,543 S**

(45) **Date of Patent:** **** Oct. 7, 2014**

(54) **TOOL HOLDER**

(71) Applicant: **Allprofessional Mfg. Co., Ltd.,**
Taichung (TW)

(72) Inventor: **Chung-Ping Huang,** Taichung (TW)

(73) Assignee: **Allprofessional Mfg. Co., Ltd.,**
Taichung (TW)

(**) Term: **14 Years**

(21) Appl. No.: **29/472,705**

(22) Filed: **Nov. 15, 2013**

(51) **LOC (10) Cl.** **03-01**

(52) **U.S. Cl.**
USPC **D3/228**

(58) **Field of Classification Search**
USPC D3/228, 215, 220, 222, 224, 226;
206/364, 366, 373; 224/236, 242,
224/250-251, 253, 255, 267, 269, 577, 667,
224/671, 673, 677, 904, 911, 683, 672
See application file for complete search history.

(56) **References Cited**

U.S. PATENT DOCUMENTS

D254,103 S * 2/1980 Criswell D3/228
D366,144 S * 1/1996 Alves D3/228

5,501,382 A * 3/1996 Webb 224/673
D417,073 S * 11/1999 Diener et al. D3/228
D433,229 S * 11/2000 Harker et al. D3/228
D528,785 S * 9/2006 Fraga D3/228
D530,908 S * 10/2006 Westcott D3/228
D618,908 S * 7/2010 Votel D3/228
D685,992 S * 7/2013 Benson D3/228

* cited by examiner

Primary Examiner — Catheri Oliver-Garcia

(74) *Attorney, Agent, or Firm* — Alan Kamrath; Kamrath IP
Lawfirm, P.A.

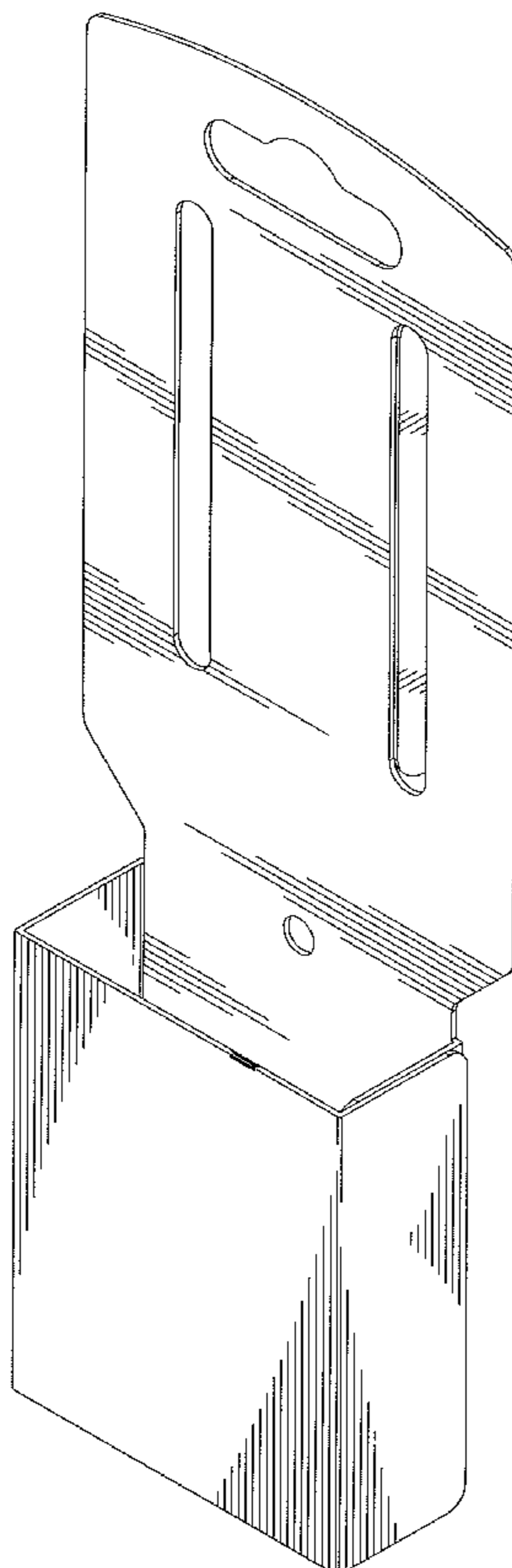
(57) **CLAIM**

The ornamental design for tool holder, as shown and
described.

DESCRIPTION

FIG. 1 is a perspective view of a tool holder showing my new
design;
FIG. 2 is a front view thereof;
FIG. 3 is a rear view thereof;
FIG. 4 is a left view thereof;
FIG. 5 is a right view thereof;
FIG. 6 is a top view thereof; and,
FIG. 7 is a bottom view thereof.

1 Claim, 6 Drawing Sheets



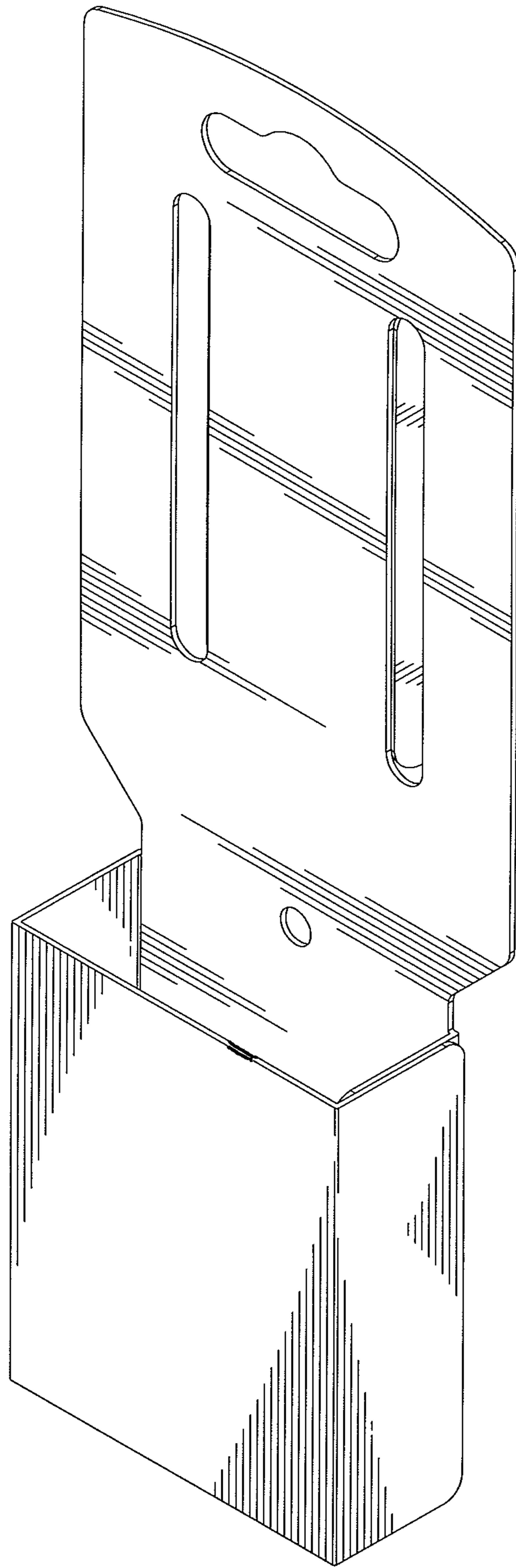


FIG. 1

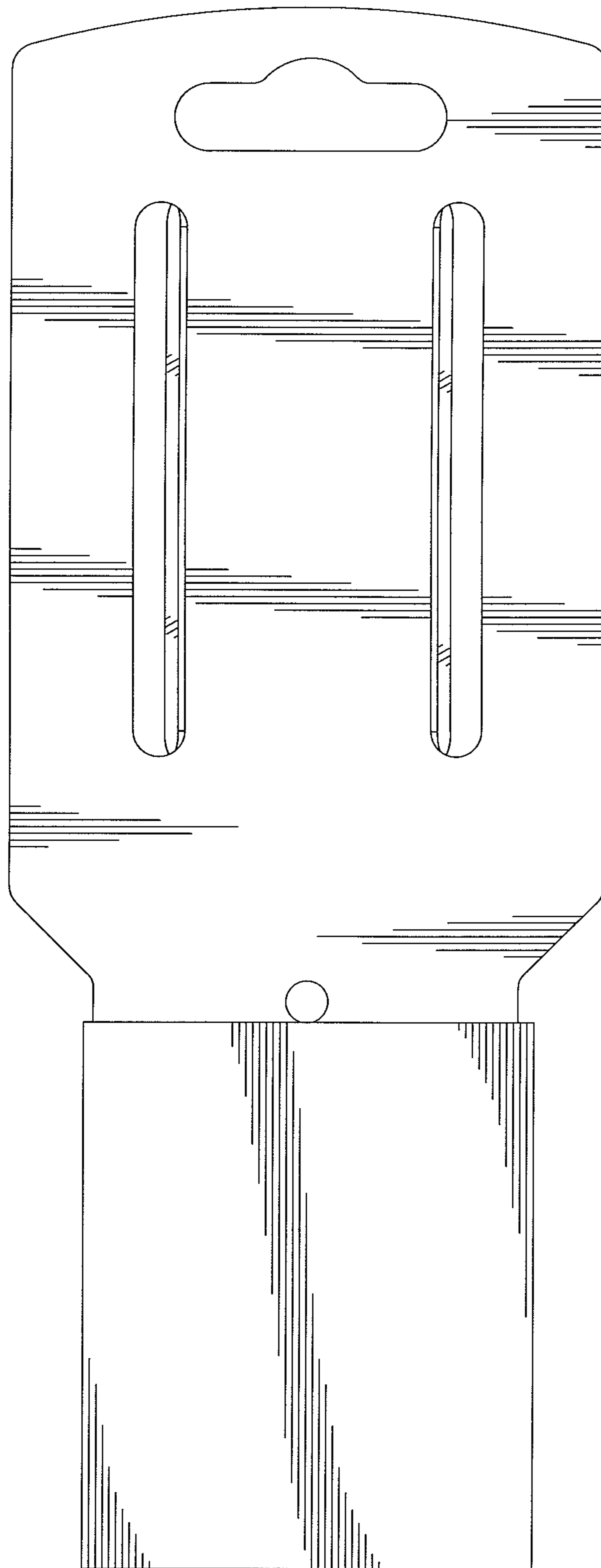


FIG. 2

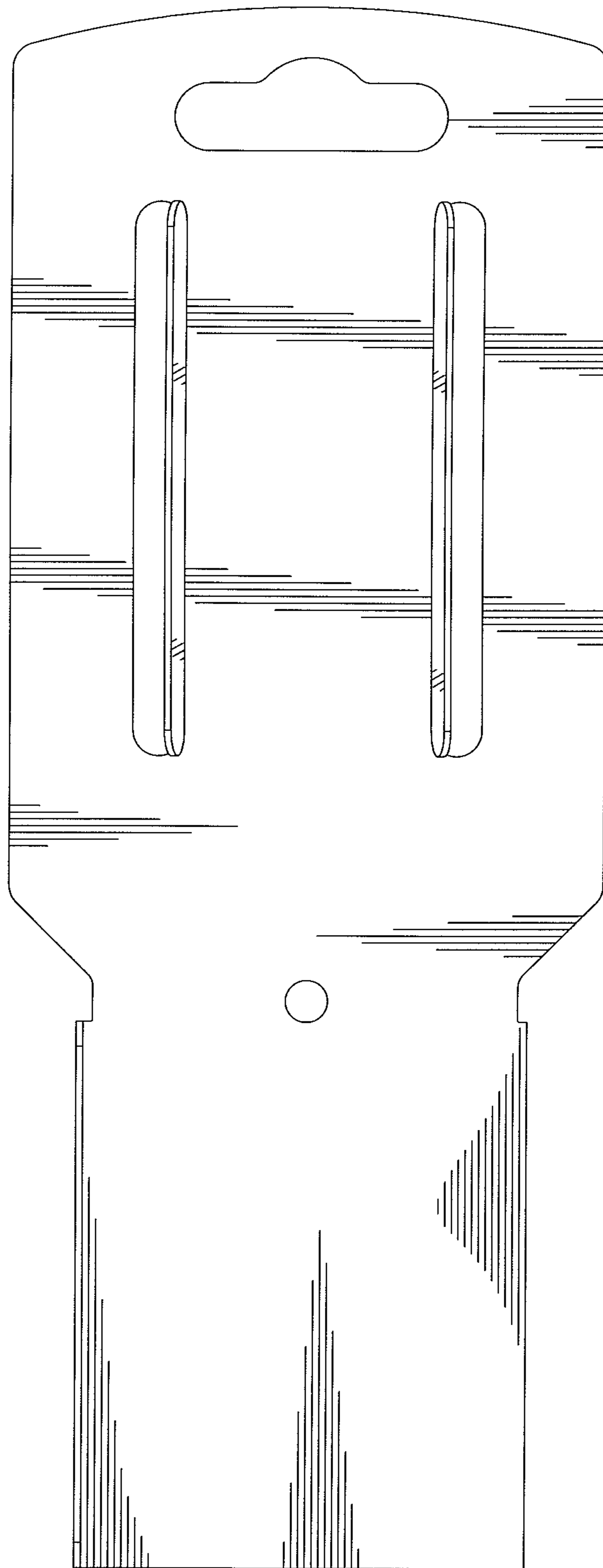


FIG. 3

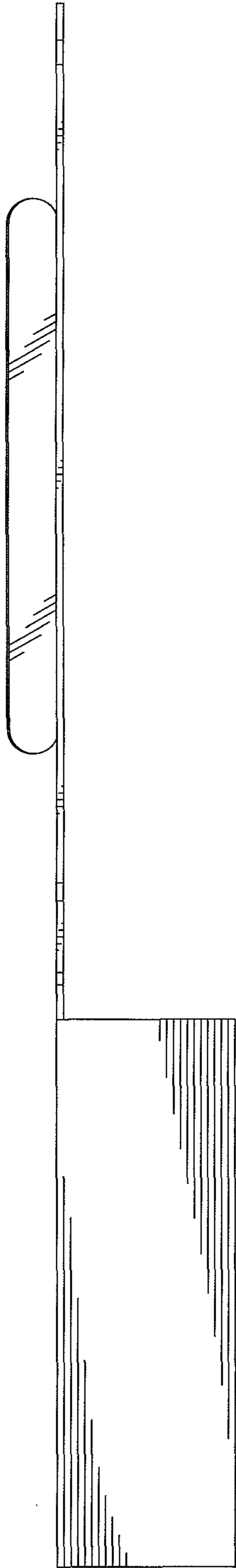


FIG. 4

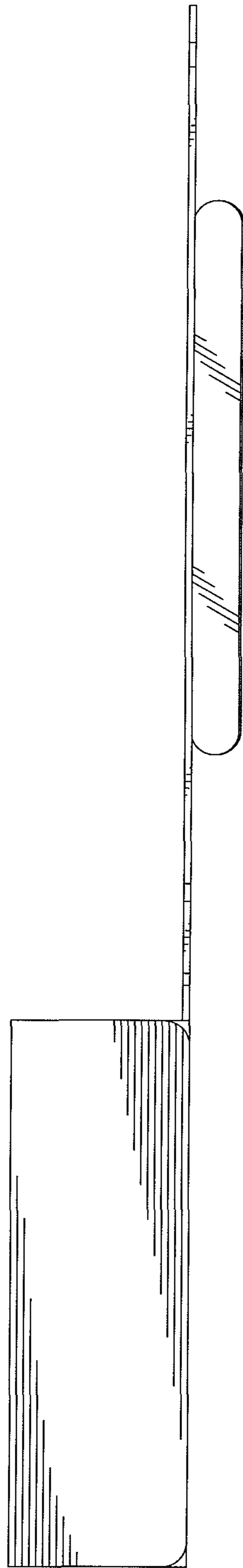


FIG. 5

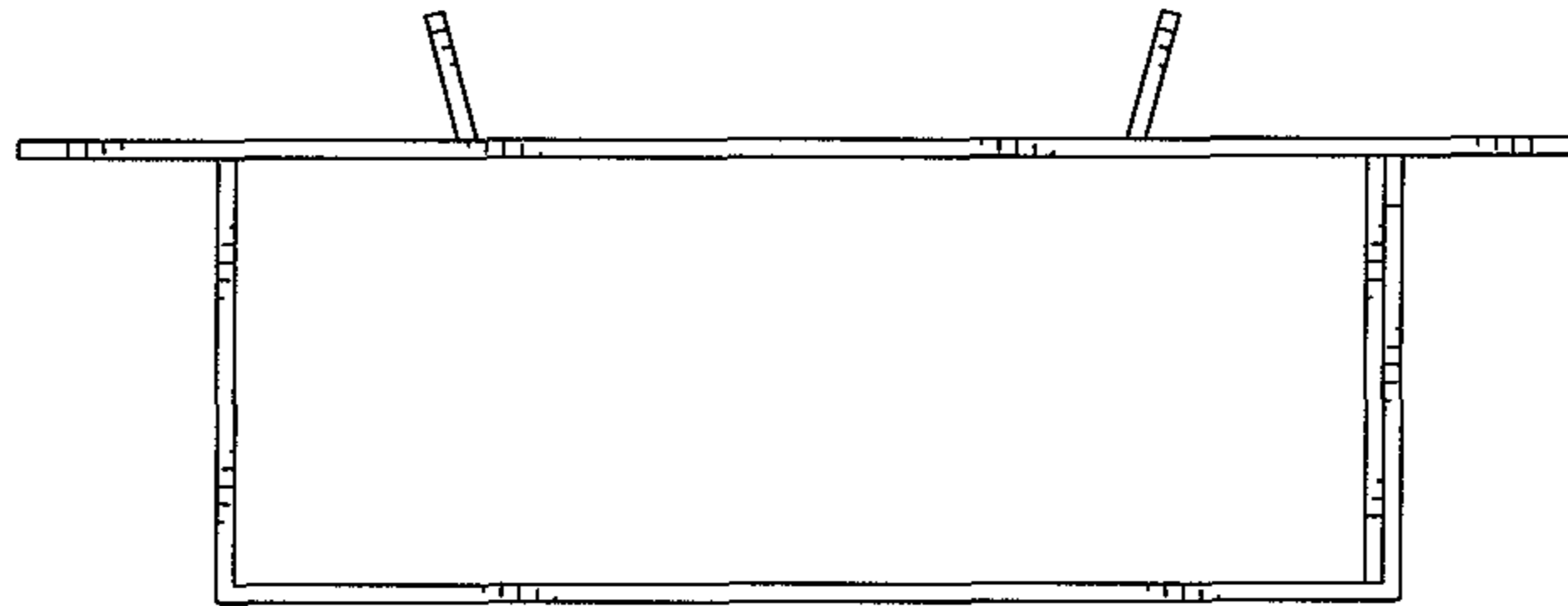


FIG. 6

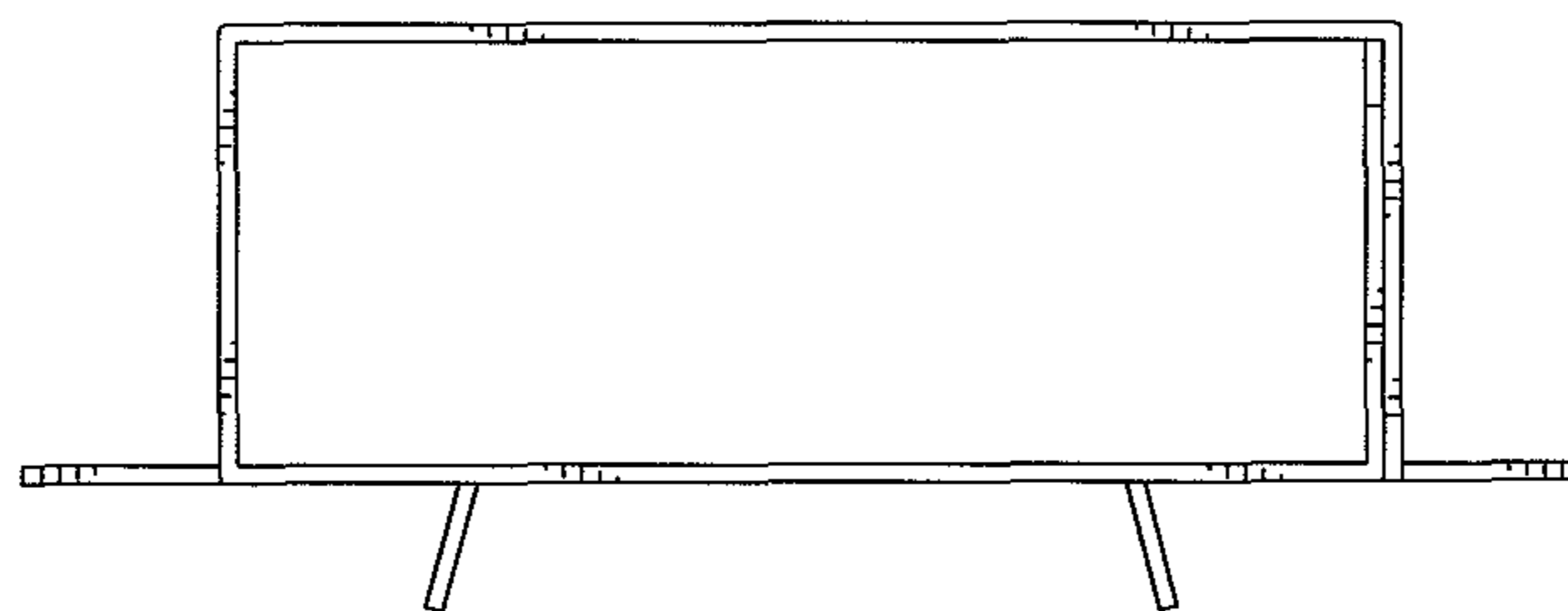


FIG. 7