



US00D714540S

(12) **United States Design Patent**
Barlet

(10) **Patent No.:** **US D714,540 S**

(45) **Date of Patent:** **** Oct. 7, 2014**

(54) **UMBRELLA-HOLDING HARNESS**

(71) Applicant: **Paul W. Barlet**, Mount Joy, PA (US)

(72) Inventor: **Paul W. Barlet**, Mount Joy, PA (US)

(**) Term: **14 Years**

(21) Appl. No.: **29/469,824**

(22) Filed: **Oct. 15, 2013**

(51) **LOC (10) Cl.** **03-01**

(52) **U.S. Cl.**
USPC **D3/215**

(58) **Field of Classification Search**
USPC D3/215, 5, 213-214, 216; 135/16, 34.2;
224/186, 188, 190, 600, 605, 623, 626,
224/666, 901.4, 915
See application file for complete search history.

(56) **References Cited**

U.S. PATENT DOCUMENTS

921,900	A	5/1909	Shuster
1,041,577	A	10/1912	Bekkevar
2,085,984	A	7/1937	Kruithof

4,537,339	A *	8/1985	Pearson	224/188
D361,654	S	8/1995	Petracco	
5,513,786	A	5/1996	Drane	
5,918,612	A *	7/1999	Hughes	135/16
6,024,464	A	2/2000	DeVera	
7,275,668	B1	10/2007	Carroll	
D662,312	S	6/2012	Kutz	
8,678,019	B2 *	3/2014	Christie	135/16

* cited by examiner

Primary Examiner — Catheri Oliver-Garcia

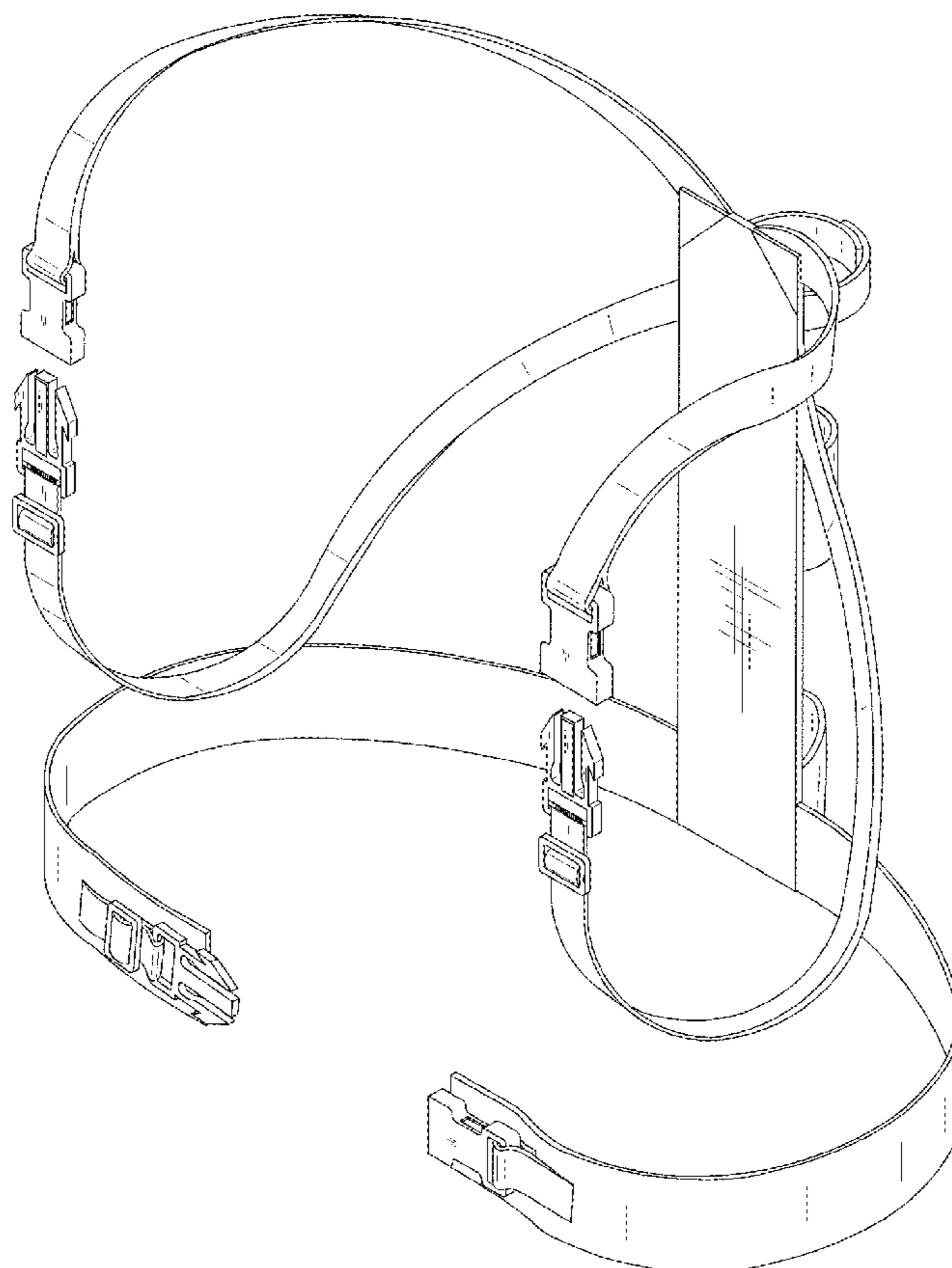
(57) **CLAIM**

I claim the ornamental design for the umbrella-holding harness, as shown and described.

DESCRIPTION

FIG. 1 is a front view of the umbrella-holding harness.
FIG. 2 is a rear view of the claimed design.
FIG. 3 is a left side view of the claimed design.
FIG. 4 is a right side view of the claimed design.
FIG. 5 is a top view of the claimed design.
FIG. 6 is a bottom view of the claimed design; and,
FIG. 7 is a perspective view of the claimed design.

1 Claim, 5 Drawing Sheets



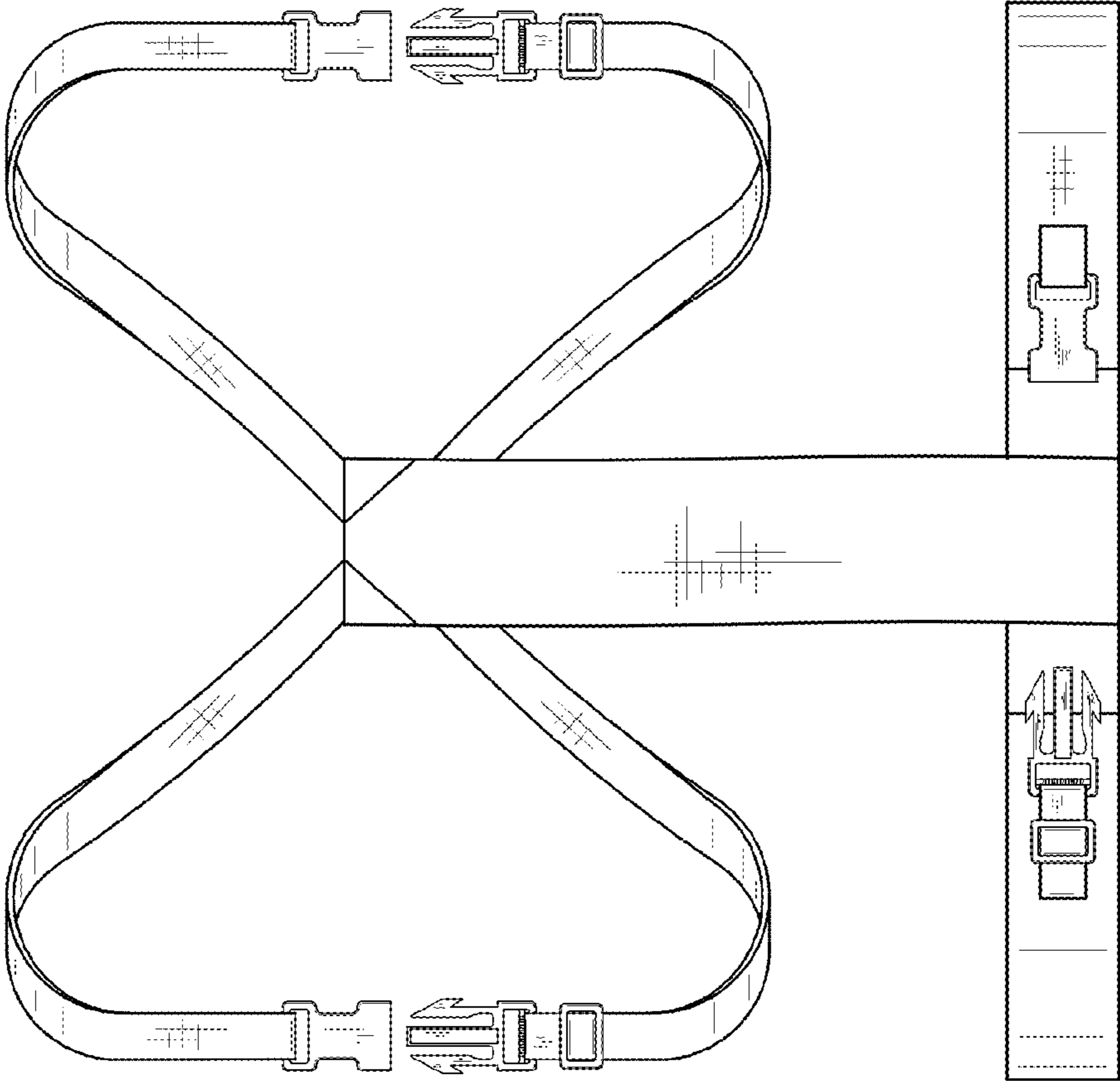


FIG. 1

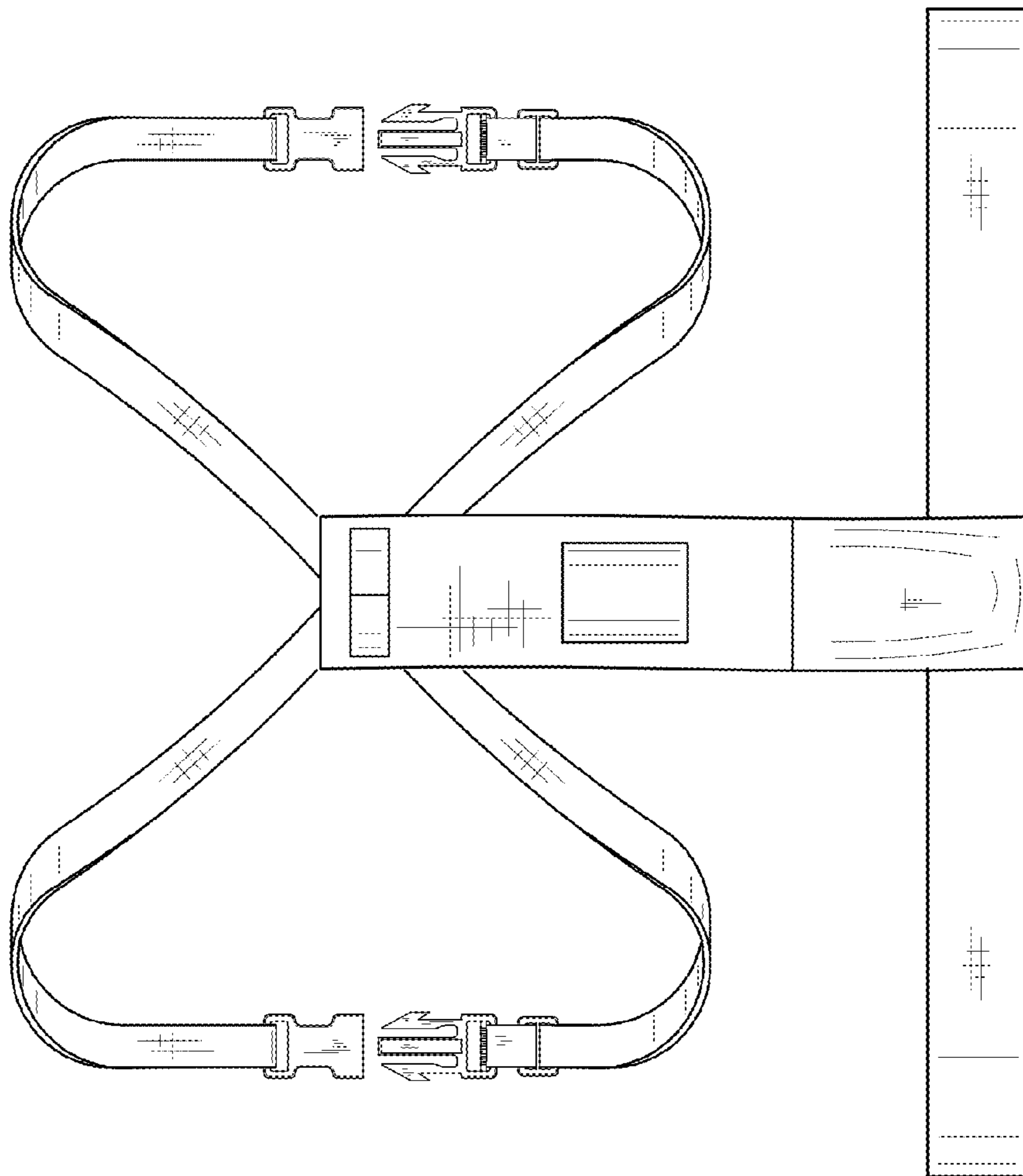


FIG. 2

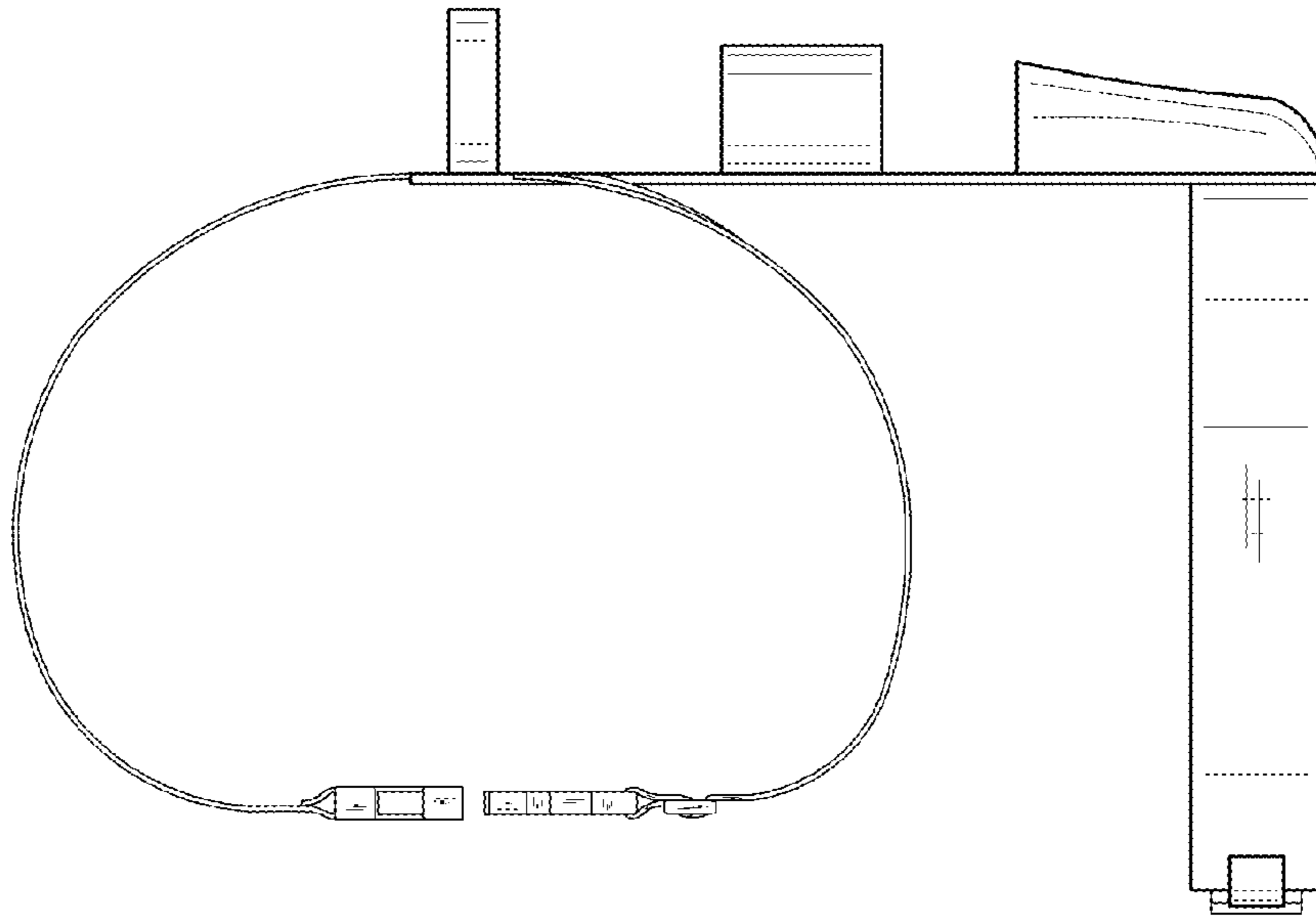


FIG. 4

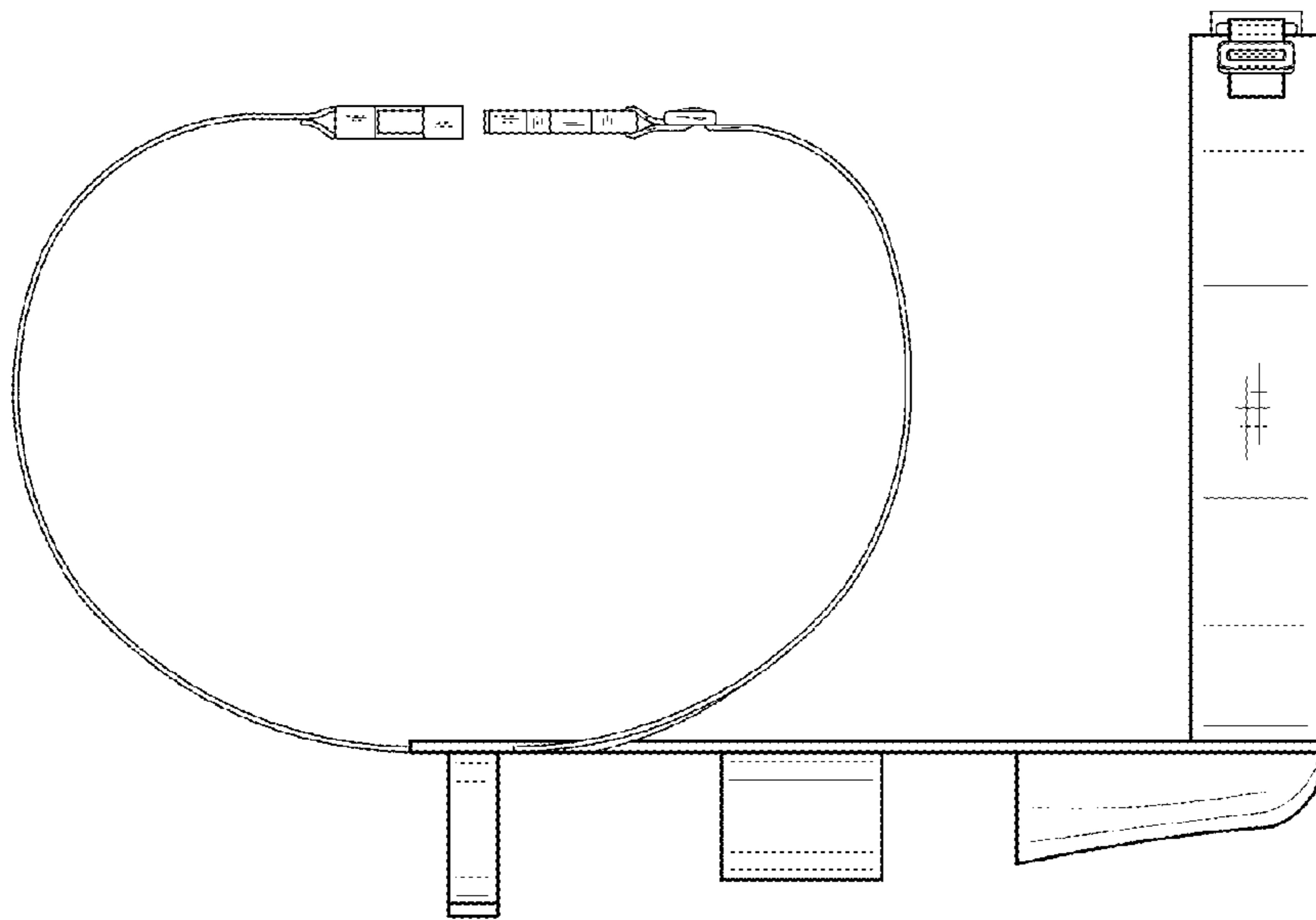


FIG. 3

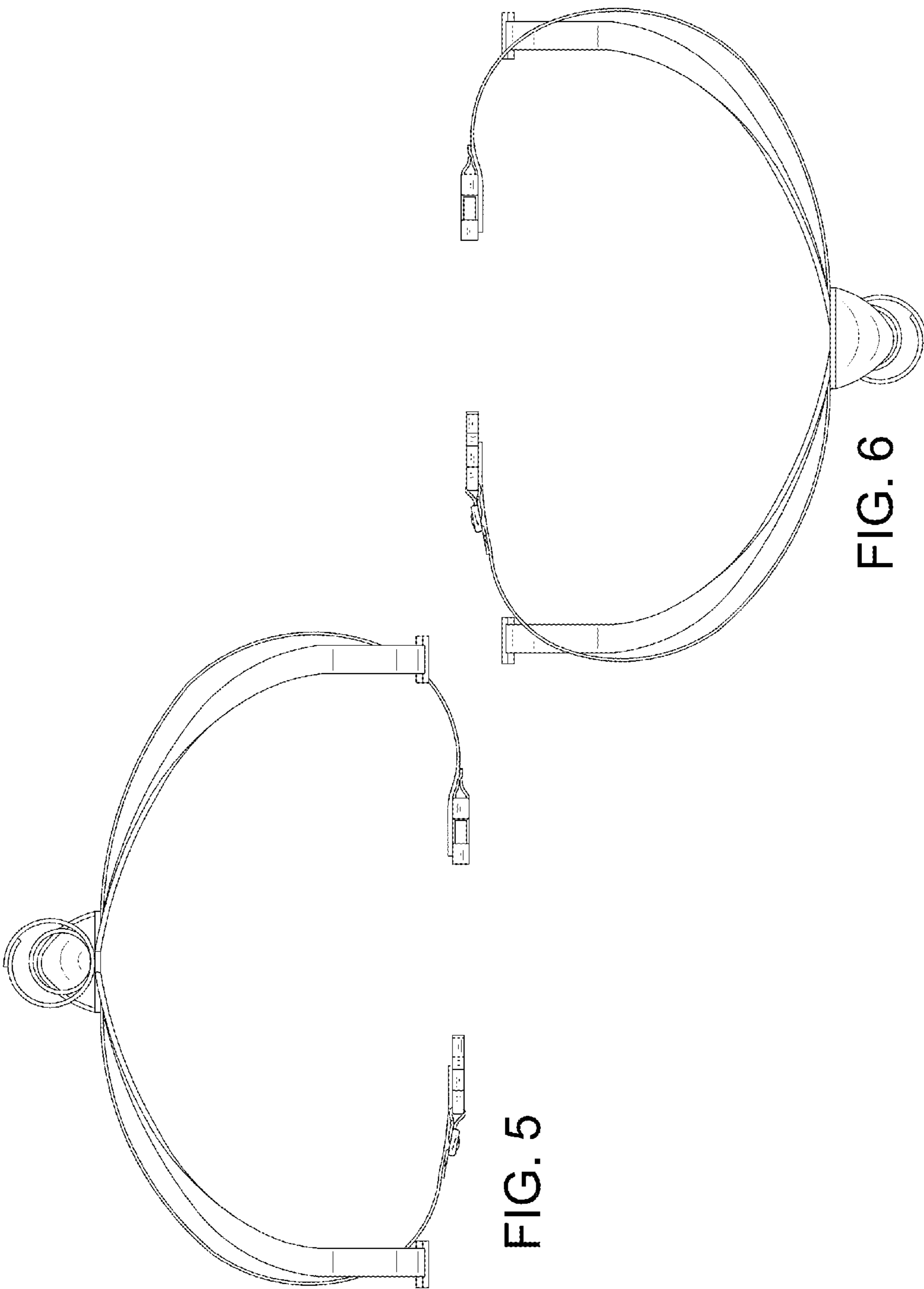


FIG. 5

FIG. 6

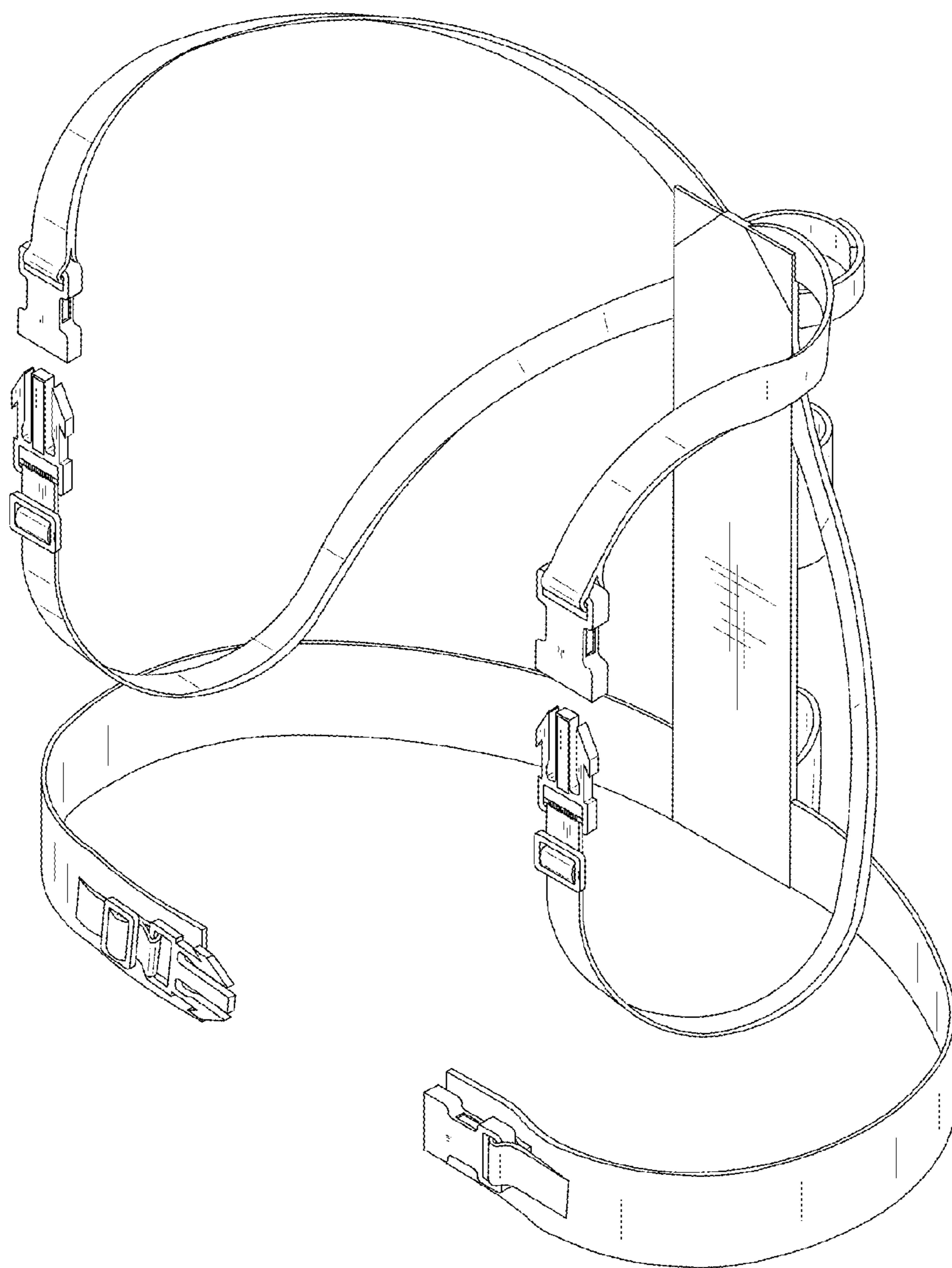


FIG. 7