



US00D714539S

(12) **United States Design Patent**
Busch

(10) **Patent No.:** **US D714,539 S**

(45) **Date of Patent:** **** Oct. 7, 2014**

(54) **POCKET KEY ORGANIZER**

(71) Applicant: **BladeKey LLC**, Tempe, AZ (US)

(72) Inventor: **James David Busch**, Tempe, AZ (US)

(73) Assignee: **BladeKey LLC**, Tempe, AZ (US)

(**) Term: **14 Years**

(21) Appl. No.: **29/480,545**

(22) Filed: **Jan. 27, 2014**

Related U.S. Application Data

(63) Continuation of application No. 29/457,348, filed on Jun. 9, 2013, which is a continuation-in-part of application No. 29/438,466, filed on Nov. 30, 2012, now Pat. No. Des. 683,951, which is a continuation of application No. 29/406,366, filed on Nov. 13, 2011, now Pat. No. Des. 674,590.

(51) **LOC (10) Cl.** **03-01**

(52) **U.S. Cl.**
USPC **D3/207**

(58) **Field of Classification Search**
USPC D3/207-212; D11/31-33, 44, 48-51,
D11/66, 79-85, 94-116; 70/456 R, 456 B,
70/457-460; 24/3.6; D13/168; 362/116;
D8/348

See application file for complete search history.

(56) **References Cited**

U.S. PATENT DOCUMENTS

D3,942 S 3/1870 Elwell
1,885,957 A 11/1932 Singleton

(Continued)

OTHER PUBLICATIONS

Jag-Engr, "Consolidated Pocket& Keychain Organization Thread,"
EDCForums (Nov. 24, 2011).

(Continued)

Primary Examiner — Ralf Seifert

(74) *Attorney, Agent, or Firm* — James David Busch

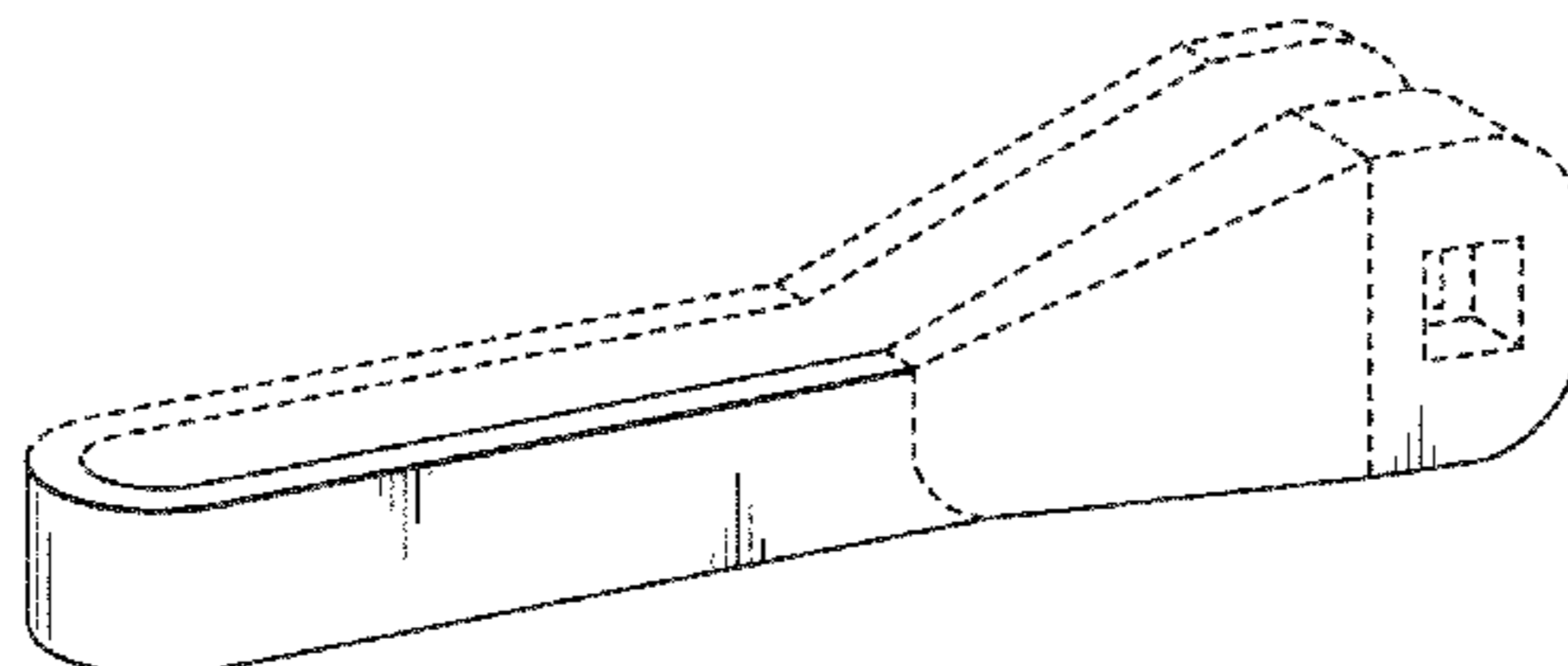
(57) **CLAIM**

I claim the ornamental design for a pocket key organizer, substantially as shown and described.

DESCRIPTION

FIG. 1 is a front perspective view of the pocket key organizer; FIG. 2 is a front view of FIG. 1; FIG. 3 is a rear view of FIG. 1; FIG. 4 is a left side view of FIG. 1; FIG. 5 is a right side view of FIG. 1; FIG. 6 is a top view of FIG. 1; FIG. 7 is a bottom view of FIG. 1; FIG. 8 is a front perspective view of a second embodiment of the pocket key organizer; FIG. 9 is a front view of FIG. 8; FIG. 10 is a rear view of FIG. 8; FIG. 11 is a left side view of FIG. 8; FIG. 12 is a right side view of FIG. 8; FIG. 13 is a top view of FIG. 8; FIG. 14 is a bottom view of FIG. 8; FIG. 15 is a front perspective view of a third embodiment of the pocket key organizer; FIG. 16 is a front view of FIG. 15; FIG. 17 is a rear view of FIG. 15; FIG. 18 is a left side view of FIG. 15; FIG. 19 is a right side view of FIG. 15; FIG. 20 is a top view of FIG. 15; FIG. 21 is a bottom view of FIG. 15; FIG. 22 is a left side view of any of the embodiments shown in a position of use with a key; and, FIG. 23 is a left side view of any of the embodiments shown in a position of use with a key extended. The features shown in broken lines in the various Figures are for illustrating the environmental structure and form no part of the claimed design.

1 Claim, 7 Drawing Sheets



(56)

References Cited

U.S. PATENT DOCUMENTS

1,922,755 A 8/1933 Buxton
 2,038,070 A 4/1936 Welch
 2,228,726 A 1/1941 Loesch
 2,344,581 A 3/1944 Ziegeweid
 D156,677 S 5/1948 Smith
 2,482,623 A 9/1949 Kaminer
 2,514,940 A 7/1950 Hogue
 2,547,340 A 4/1951 Mullan
 2,547,524 A 4/1951 Gross
 2,583,961 A 1/1952 Nash
 2,600,749 A 6/1952 Gallagher
 2,625,814 A 1/1953 Mullan
 2,637,994 A 5/1953 Harrison
 2,659,231 A 11/1953 Glubiak
 2,699,667 A 1/1955 Mark
 2,836,053 A 5/1958 Starreit
 2,869,232 A 1/1959 Kivela
 2,882,710 A 4/1959 Furn
 D185,686 S 7/1959 Tronson
 2,931,208 A 4/1960 Prim
 2,964,937 A 12/1960 Laufin
 2,969,668 A 1/1961 Aitchison
 2,978,897 A 4/1961 Capitani
 2,989,861 A 6/1961 Schefman
 3,004,422 A 10/1961 Starrett
 3,277,680 A 10/1966 Merila
 3,299,930 A 1/1967 Schumer
 3,355,917 A 12/1967 Albert
 3,363,440 A 1/1968 Rivers
 3,394,565 A 7/1968 Turman
 3,407,636 A 10/1968 Kovacevic
 3,421,349 A 1/1969 St. Clair
 3,455,131 A 7/1969 Shofner
 3,527,072 A 9/1970 Demetreon
 3,606,777 A 9/1971 Watson
 3,672,192 A 6/1972 Dontas
 3,677,044 A 7/1972 De Frees
 3,696,649 A 10/1972 Chow et al.
 D237,561 S 11/1975 Kesner
 3,931,688 A 1/1976 Owens
 D248,960 S 8/1978 Iverson
 4,297,864 A 11/1981 Beier
 4,351,173 A 9/1982 Toyoda
 4,417,612 A 11/1983 Couture et al.
 4,454,737 A 6/1984 Toyoda
 4,524,594 A 6/1985 Bascou
 4,569,215 A 2/1986 McCarthy
 4,571,967 A 2/1986 Jacobsen
 4,658,749 A 4/1987 Penalba
 4,901,547 A 2/1990 Dal Palu'
 4,939,917 A 7/1990 Cartwright
 4,941,569 A 7/1990 Lindmayer et al.
 4,951,489 A 8/1990 Proch
 D332,384 S 1/1993 Dague
 D334,528 S 4/1993 Franklin
 5,199,560 A 4/1993 Lee et al.
 5,207,082 A 5/1993 LeMaitre
 D356,019 S 3/1995 Sakai
 D357,166 S 4/1995 Concari
 5,460,022 A 10/1995 Parsons
 D364,269 S 11/1995 Sabosky
 5,544,510 A 8/1996 Botteon et al.
 5,568,741 A 10/1996 Parsons
 D382,190 S 8/1997 Blackston et al.
 5,704,235 A 1/1998 Stahle
 5,704,236 A 1/1998 Parsons
 5,711,194 A 1/1998 Anderson
 5,732,579 A 3/1998 D'Hont et al.

5,768,925 A 6/1998 Ozawa et al.
 5,791,211 A 8/1998 Bondhus et al.
 D402,459 S * 12/1998 Steinmacher D3/207
 D404,284 S 1/1999 Sacco et al.
 D405,675 S 2/1999 Rivera
 D415,343 S 10/1999 Maddox
 6,016,676 A 1/2000 McConnell
 D423,209 S 4/2000 Guyot
 D427,501 S 7/2000 Berg et al.
 6,106,131 A 8/2000 Hao
 D434,302 S 11/2000 Van Den Acker
 6,164,102 A 12/2000 Gapco
 D442,060 S 5/2001 Neset
 D442,061 S 5/2001 Harris et al.
 D442,466 S 5/2001 Van Den Acker
 6,282,996 B1 9/2001 Berg et al.
 D473,710 S 4/2003 Szilva
 D478,207 S 8/2003 Johnson
 6,684,673 B2 2/2004 Florendo
 6,763,938 B1 7/2004 Nelson
 6,892,558 B2 5/2005 Chodosh
 D514,310 S 2/2006 Roye
 7,032,419 B2 4/2006 Booker
 7,127,922 B2 10/2006 Khounsombath et al.
 D539,526 S 4/2007 Stein
 D593,318 S 6/2009 Kelleghan
 D624,305 S 9/2010 Downes
 D665,992 S 8/2012 Wilbur
 D674,590 S * 1/2013 Busch D3/207
 D683,951 S * 6/2013 Busch D3/207
 D705,533 S * 5/2014 Tunney D3/207
 2011/0015937 A1 1/2011 Janas, III et al.

OTHER PUBLICATIONS

Ethanf, "Do you hate your keys jingling? (Bicycle Content)," EDCForums (Sep. 12, 2011).
 Anonymous, "Products," Down Home Leather, Nov. 24, 2011.
 Anonymous, "Novel Key Holder," Popular Mechanics at p. 161 (Jan. 1923).
 Anonymous, "Key & Holders," Able Home Aides (Nov. 24, 2011).
 Crew, "My new custom 'multi-key', made from a Gerber Curvel!," EDCForums (Dec. 1, 2010).
 Legoman0721, "Cold Steel Mini Tac Tanto," EDCForums (Nov. 24, 2010).
 Aphi, "Switchkey," EDCForums (Dec. 19, 2010).
 Shadeone, "The Real Leatherman KEYman! My custom Multi-Key!!," EDCForums (Aug. 6, 2007).
 Anonymous, "Master Key Set," T-Parts (Date Unknown).
 Anonymous, "True Utility® Keyring System," True Utility (Date Unknown).
 Dieck, "Ultra Ultra minimalist keyring," EDCForums (May 29, 2008).
 Diaz, Oscar, "While u sleep," Oscar Diaz Studio (Date Unknown).
 Wild Style, "wild style's daily carry," EDCForums (Oct. 21, 2009).
 Anonymous, "Carrying Keys," Carryology (Jun. 3, 2010).
 Busch, "Photo Set 1," (Jul. 8, 2007).
 Busch, "Photo Set 2," (Jul. 8, 2007).
 F3RG, "Crank Bros. Folding Keychain," Mtbr Forums (Jan. 29, 2009).
 Anonymous, "Photo Of Keys" (Date Unknown).
 PYR0222, "Multi-tool Keys—Mod/Hack," Instructables (Jul. 20, 2008).
 Anonymous, "Compact Key Chain," Sagawisiw (Jun. 10, 2012).
 Lota, Jon, "KeyFlip," Kickstarter.com (Jan. 25, 2013) (printed Jun. 9, 2013).
 Patrick, Michael, "SmartKey," Kickstarter.com (May 5, 2013) (printed Jun. 9, 2013).

* cited by examiner

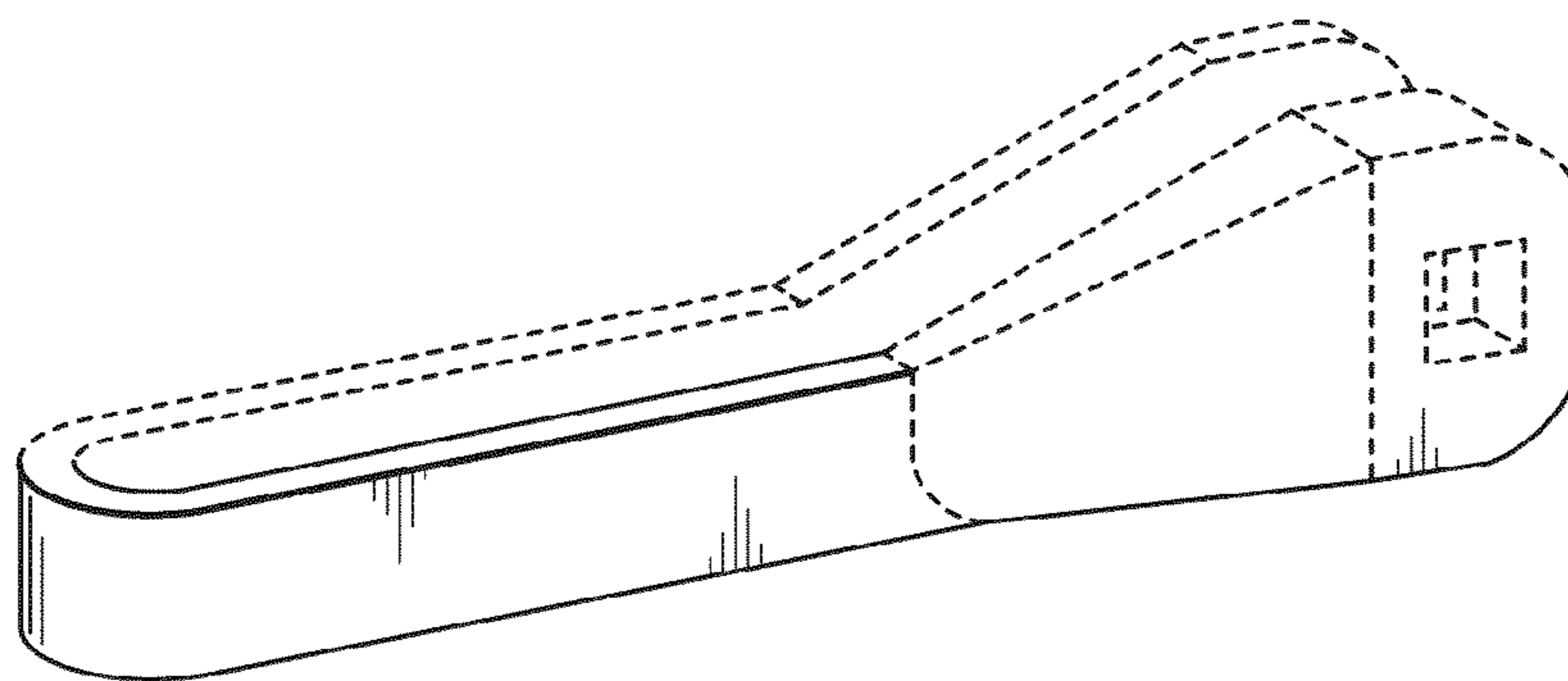


FIG. 1

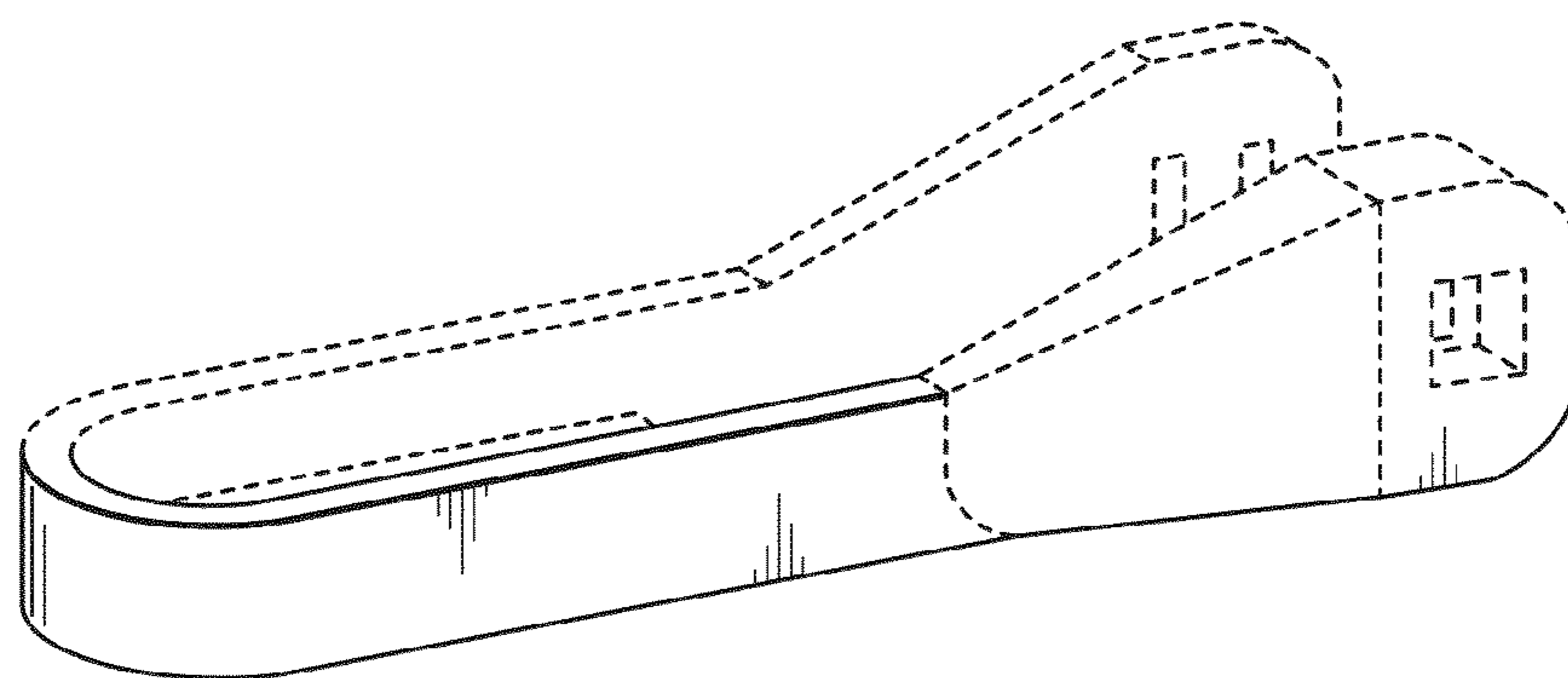


FIG. 8

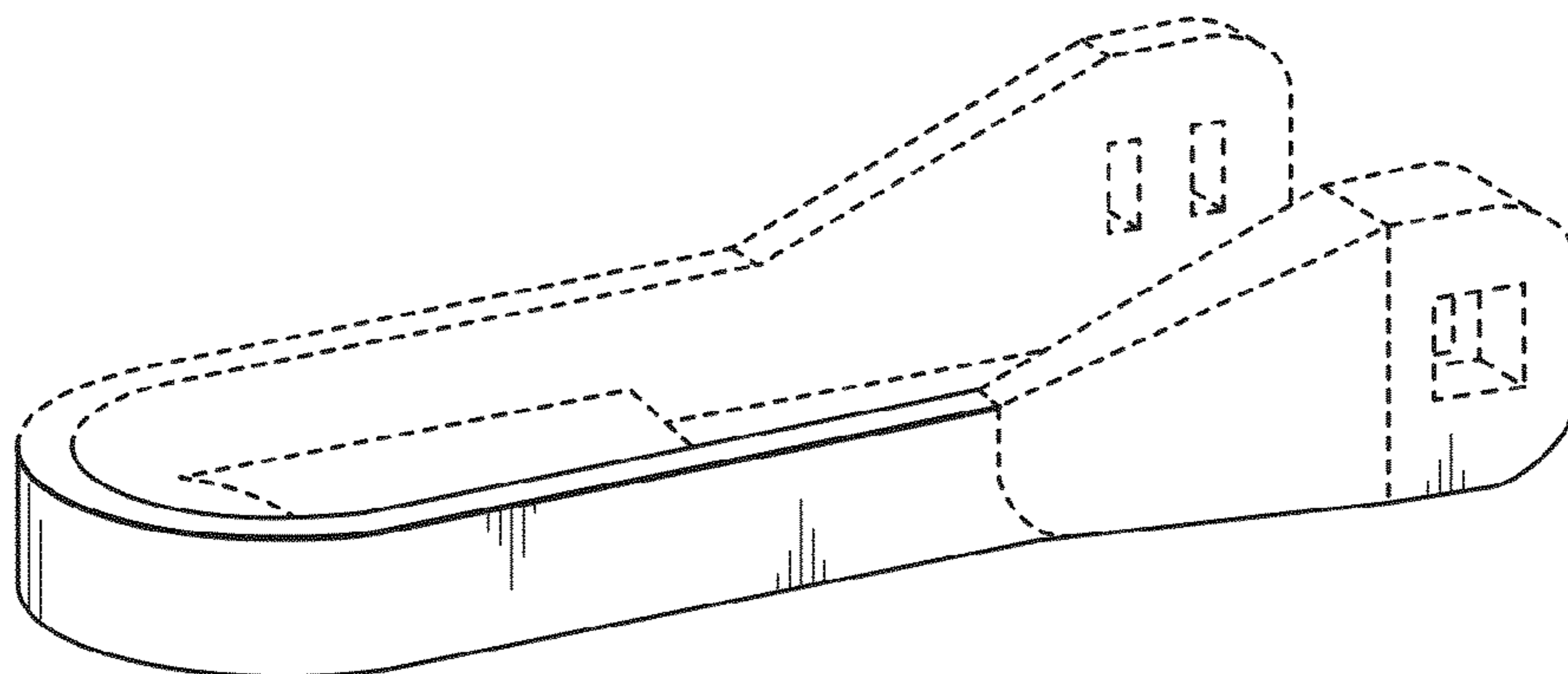


FIG. 15

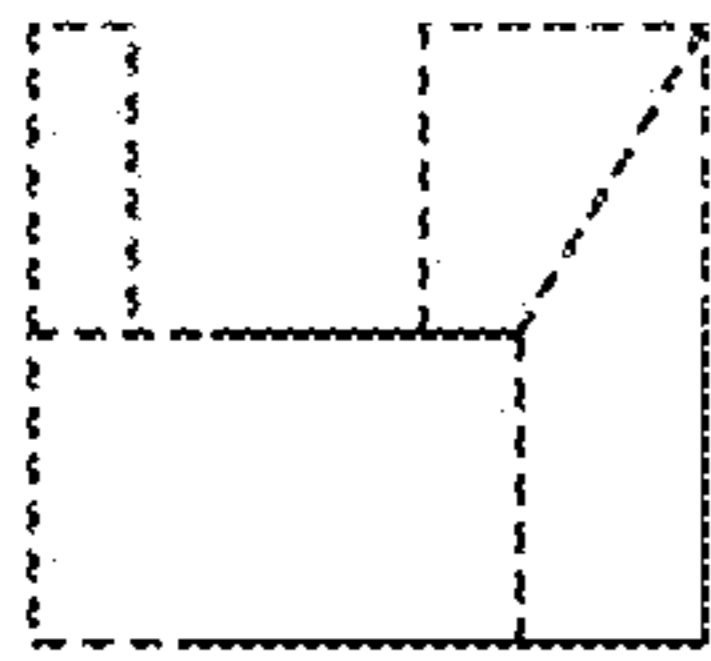


FIG. 2

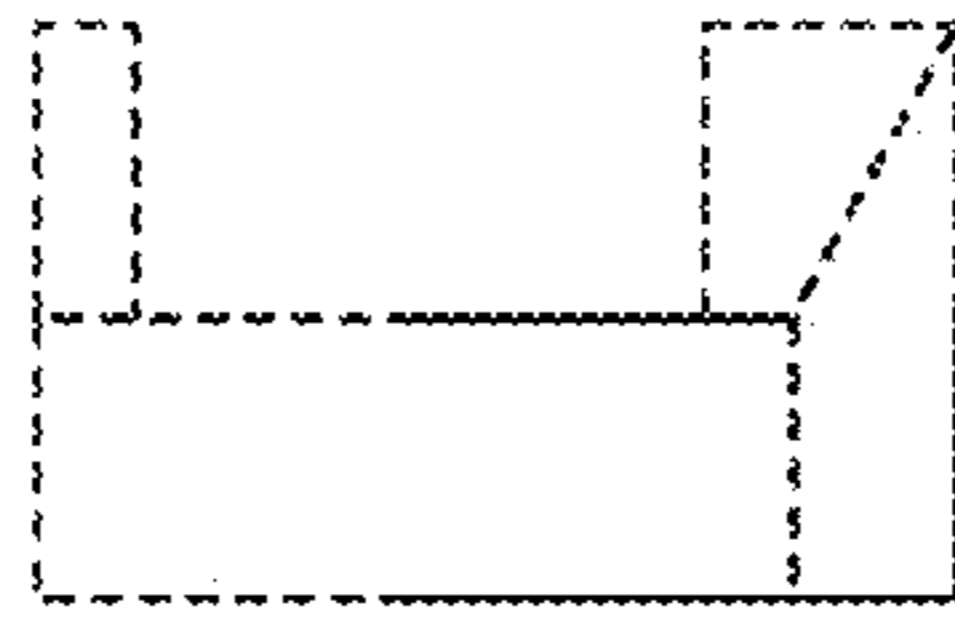


FIG. 9

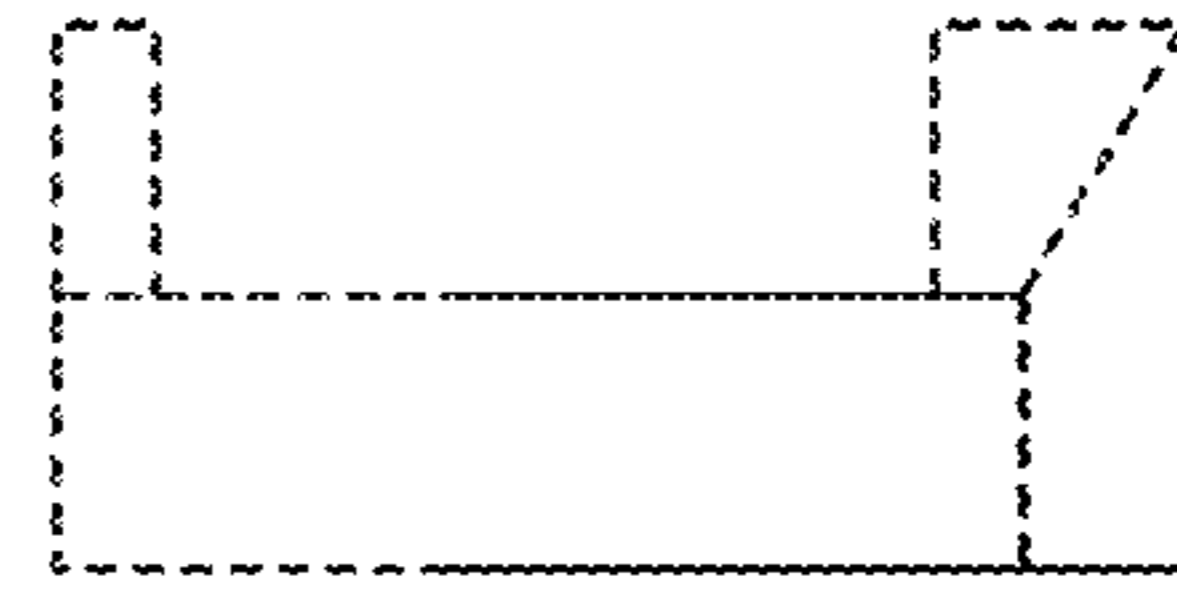


FIG. 16

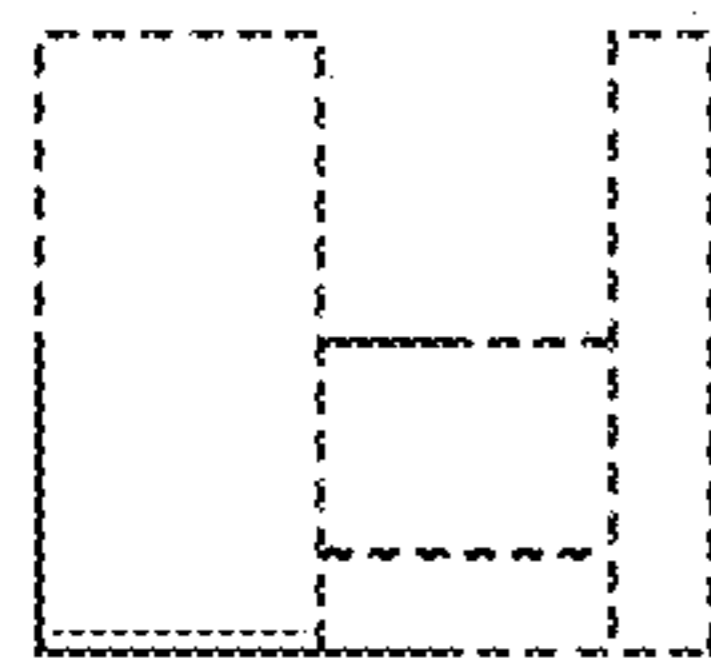


FIG. 3

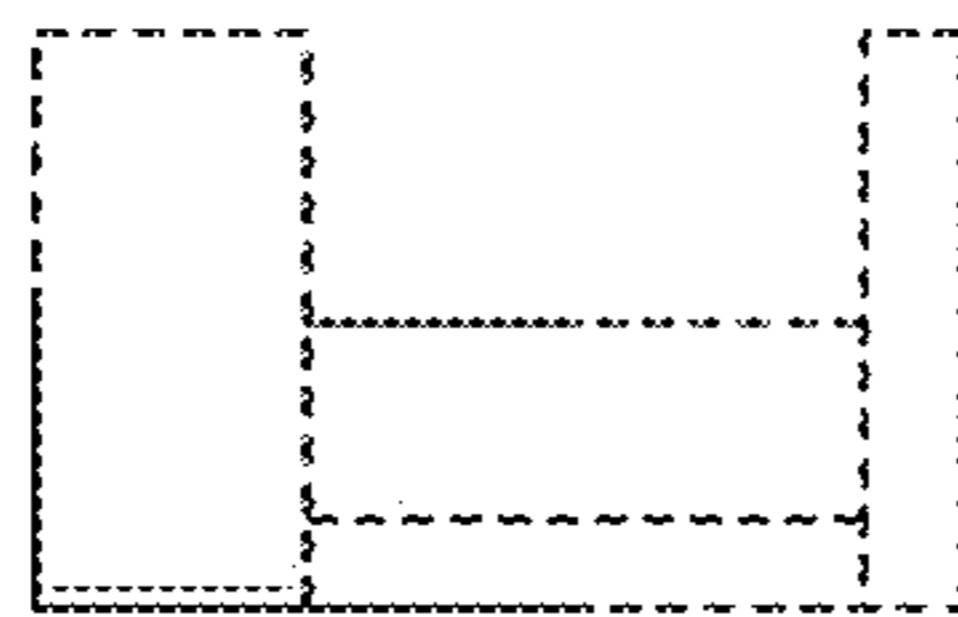


FIG. 10

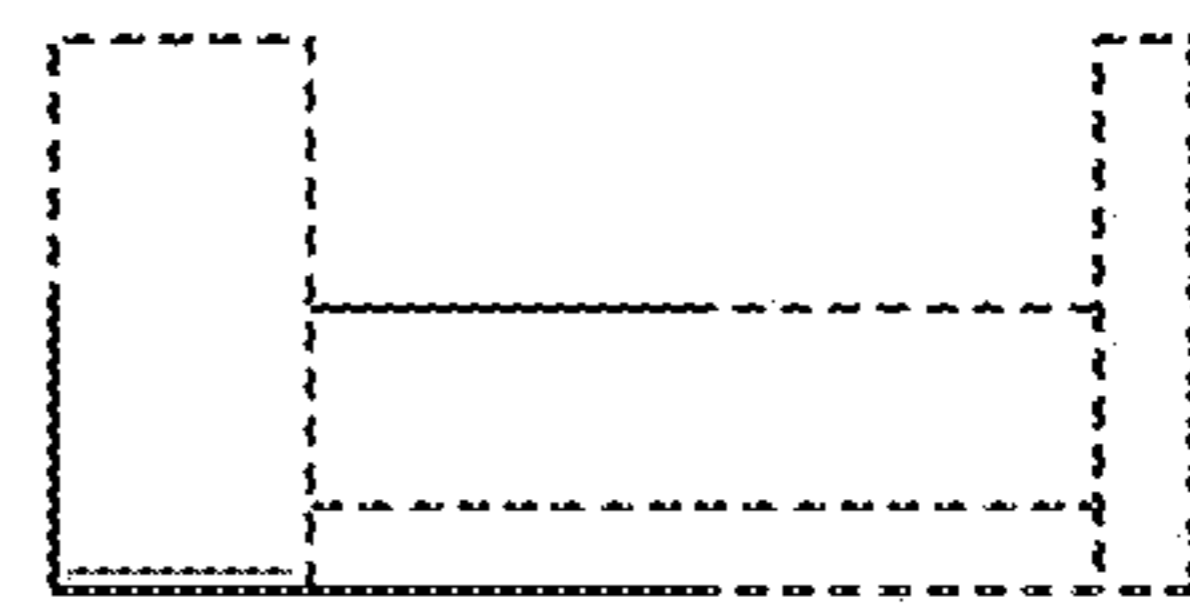


FIG. 17

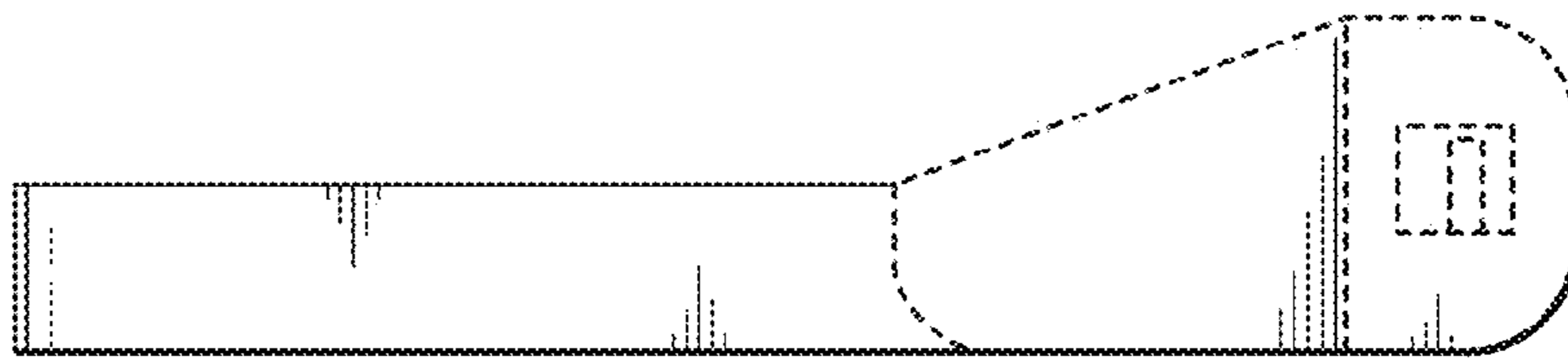


FIG. 4

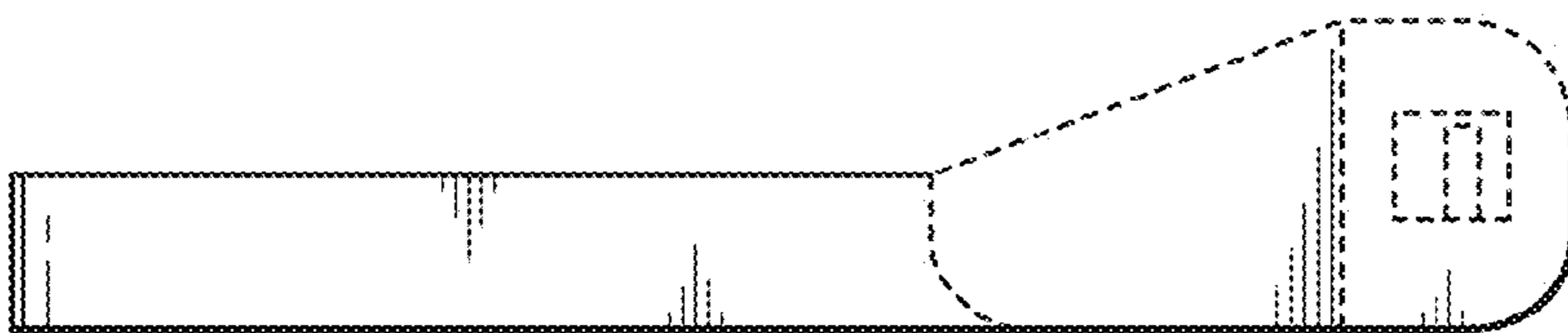


FIG. 11

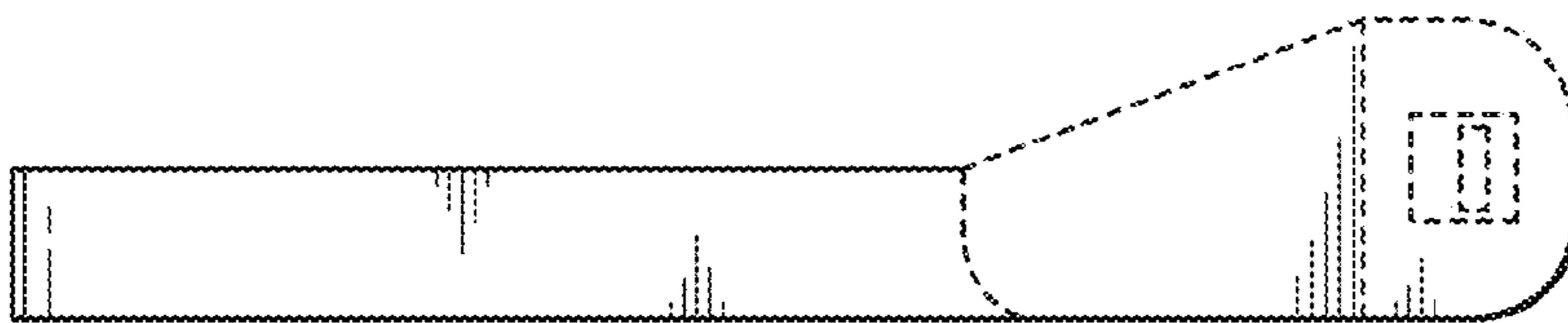


FIG. 18

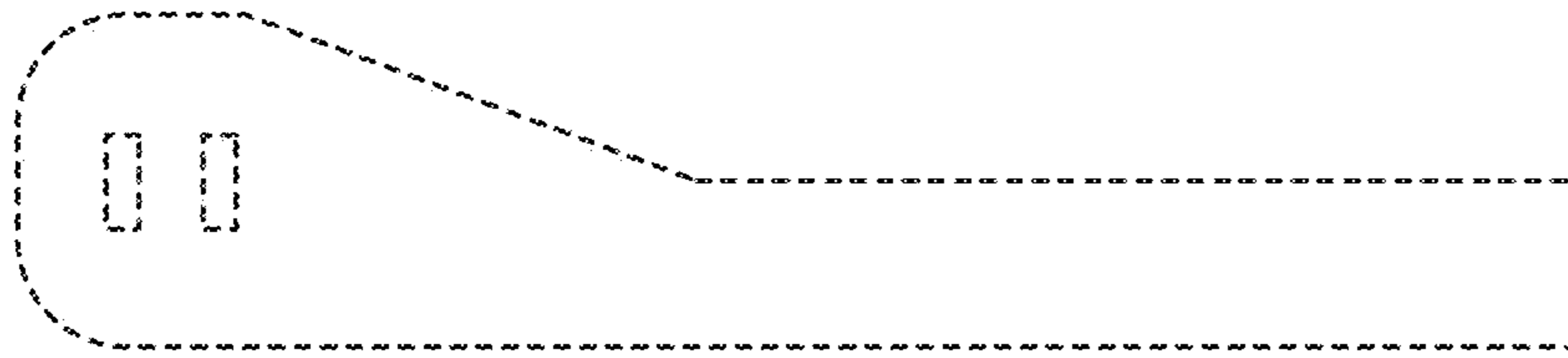


FIG. 5

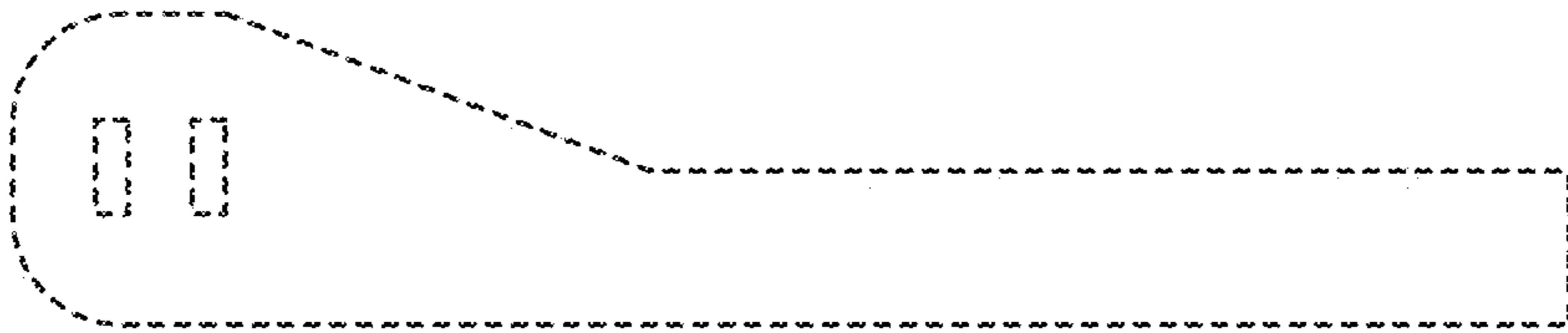


FIG. 12



FIG. 19

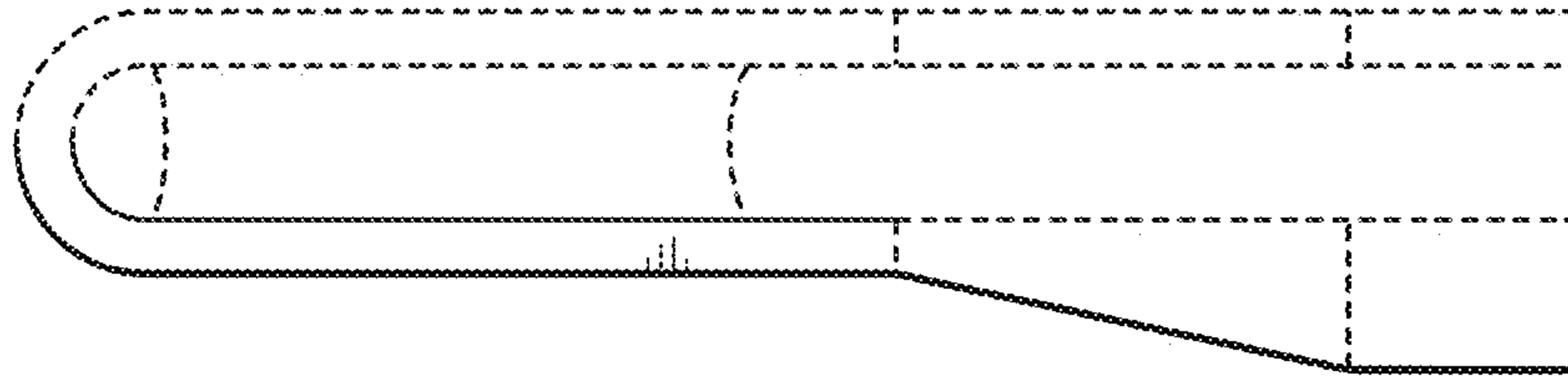


FIG. 6

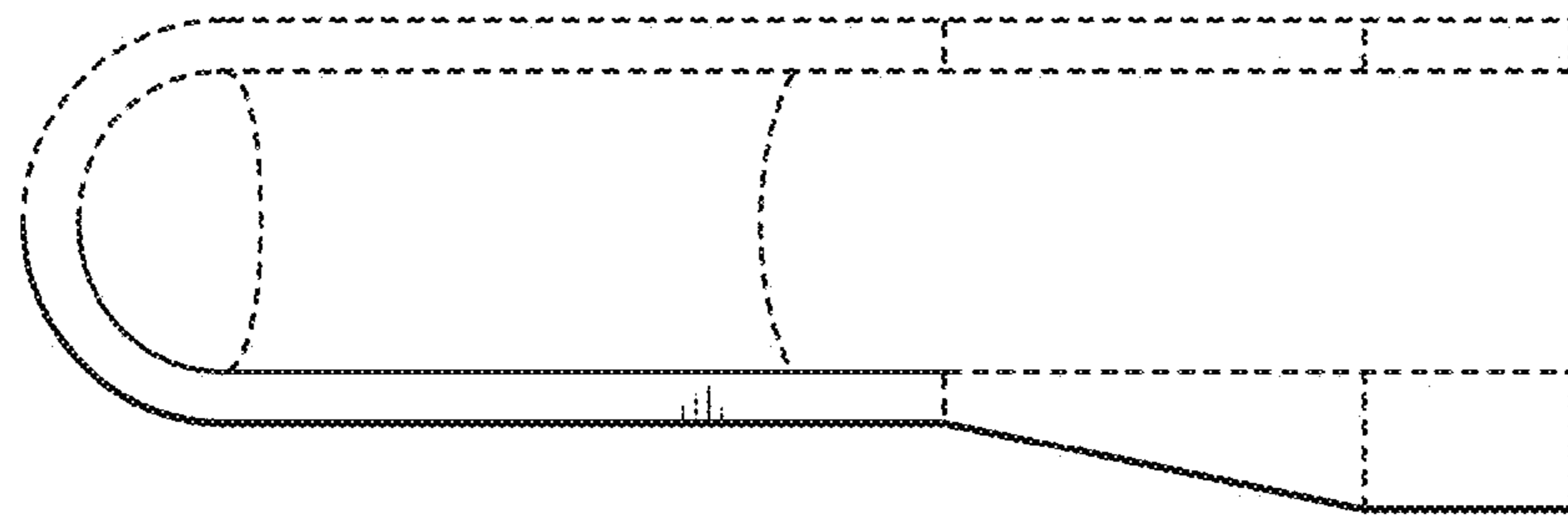


FIG. 13

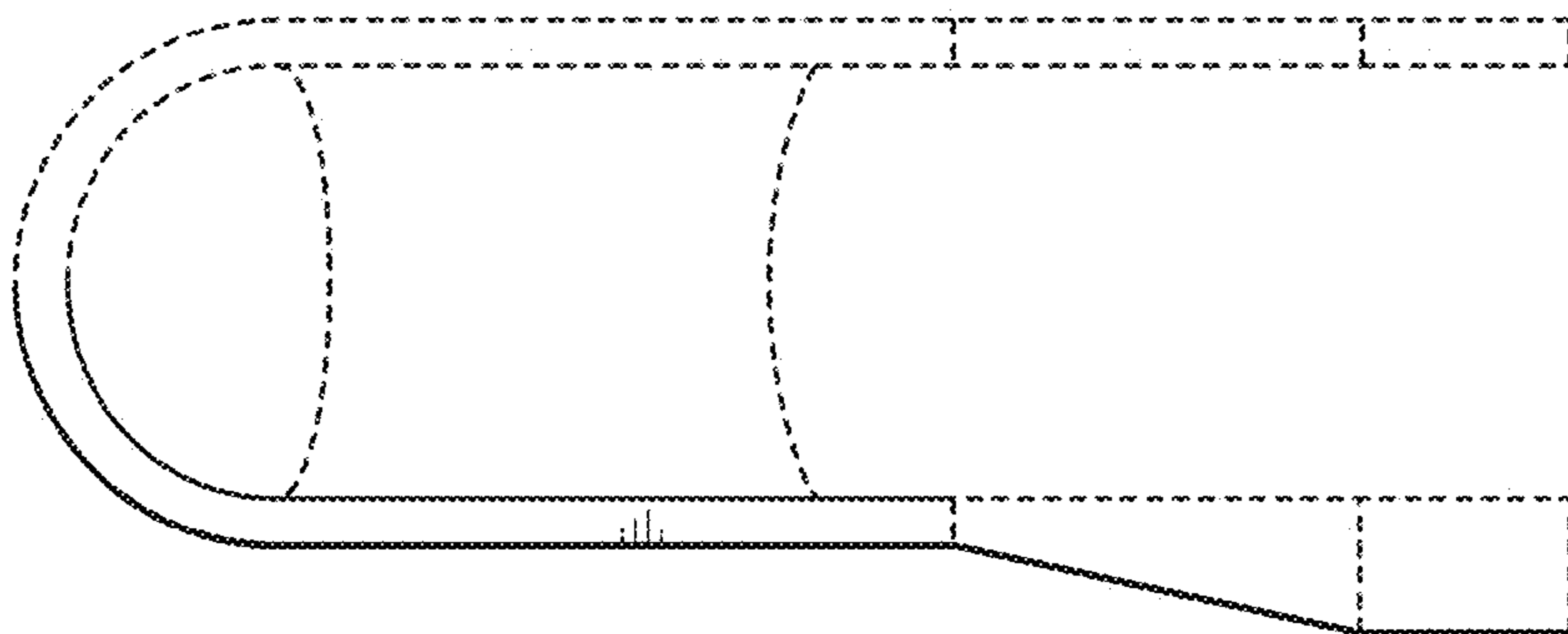


FIG. 20

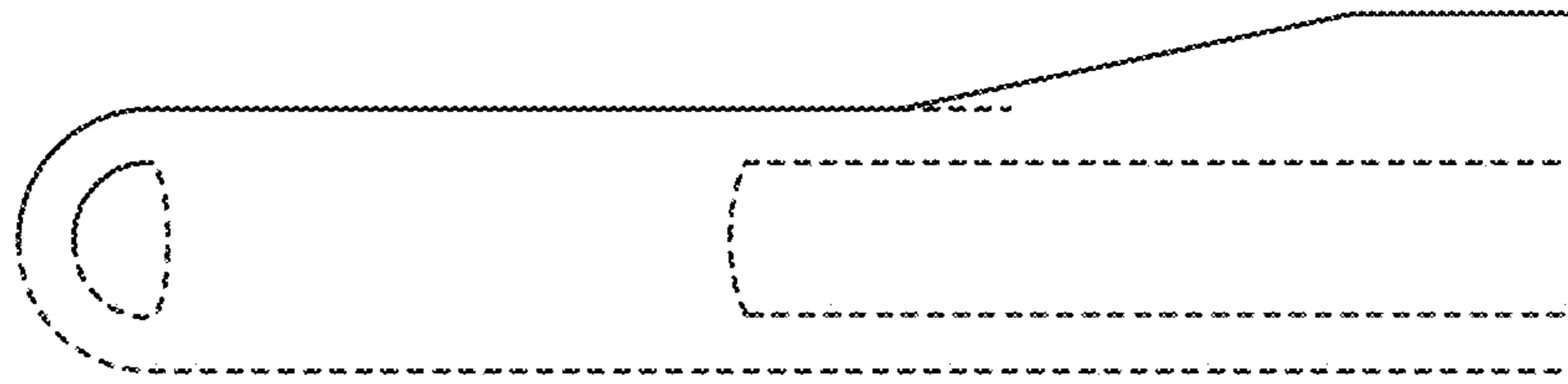


FIG. 7

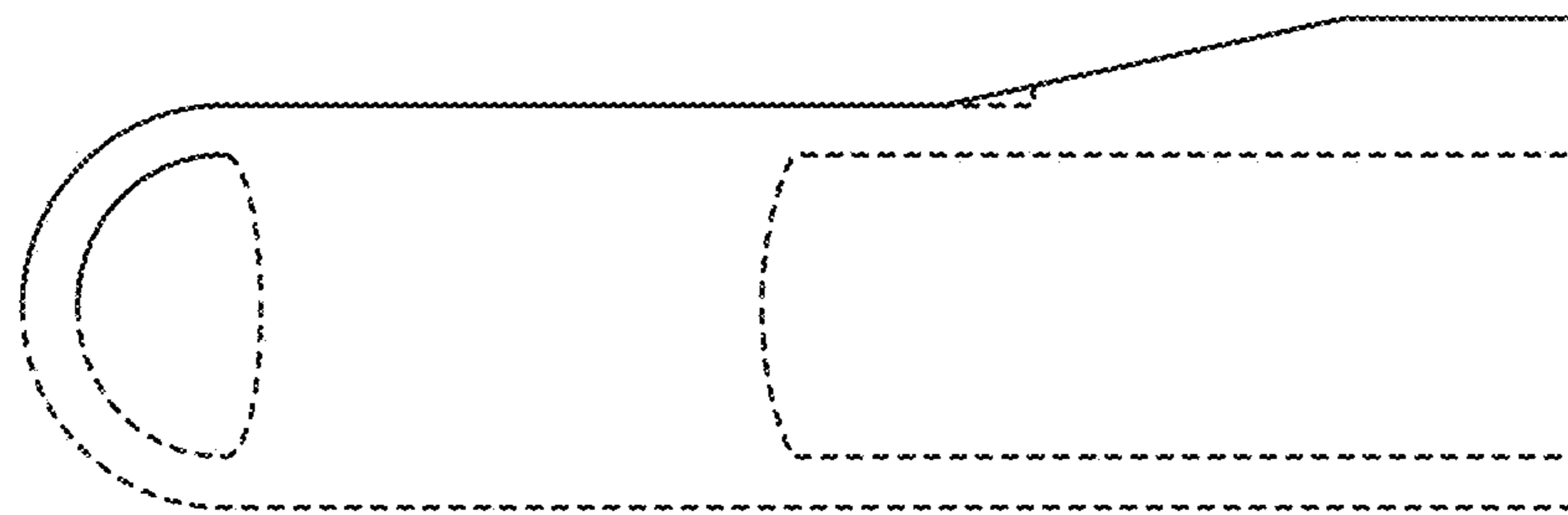


FIG. 14

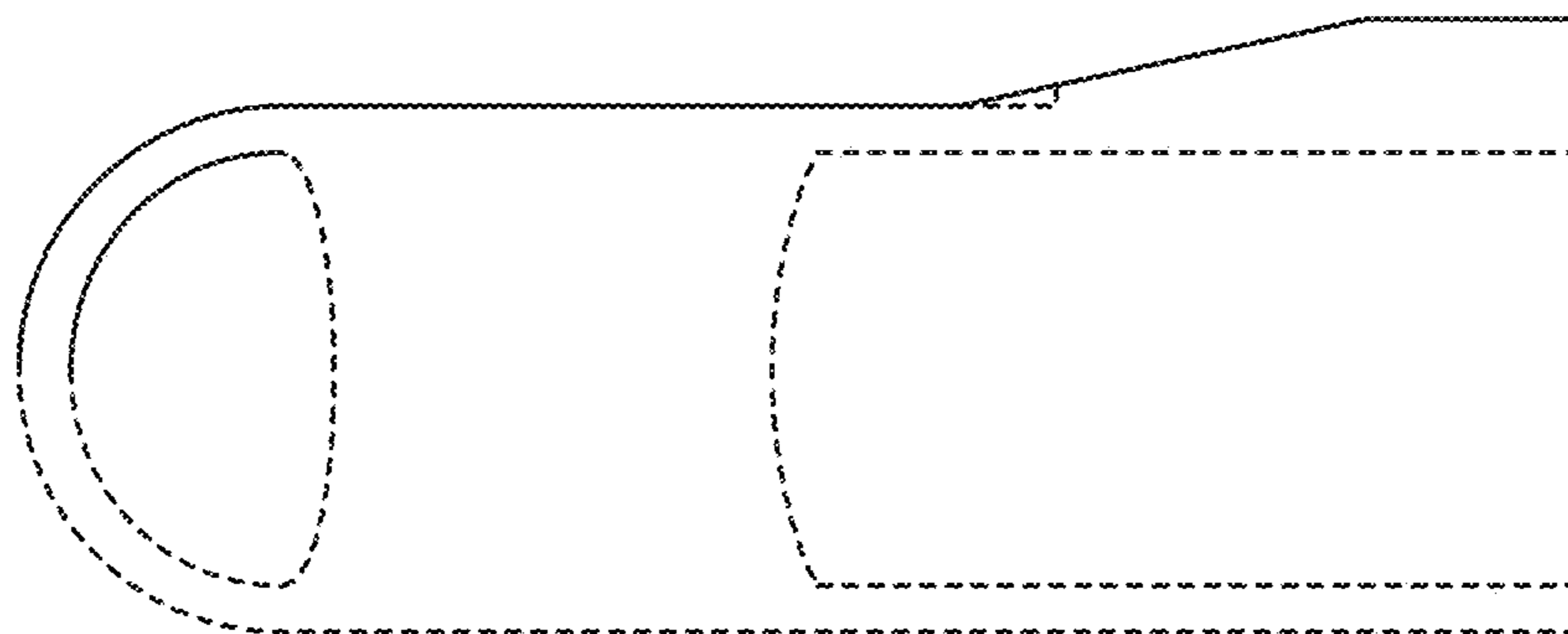


FIG. 21

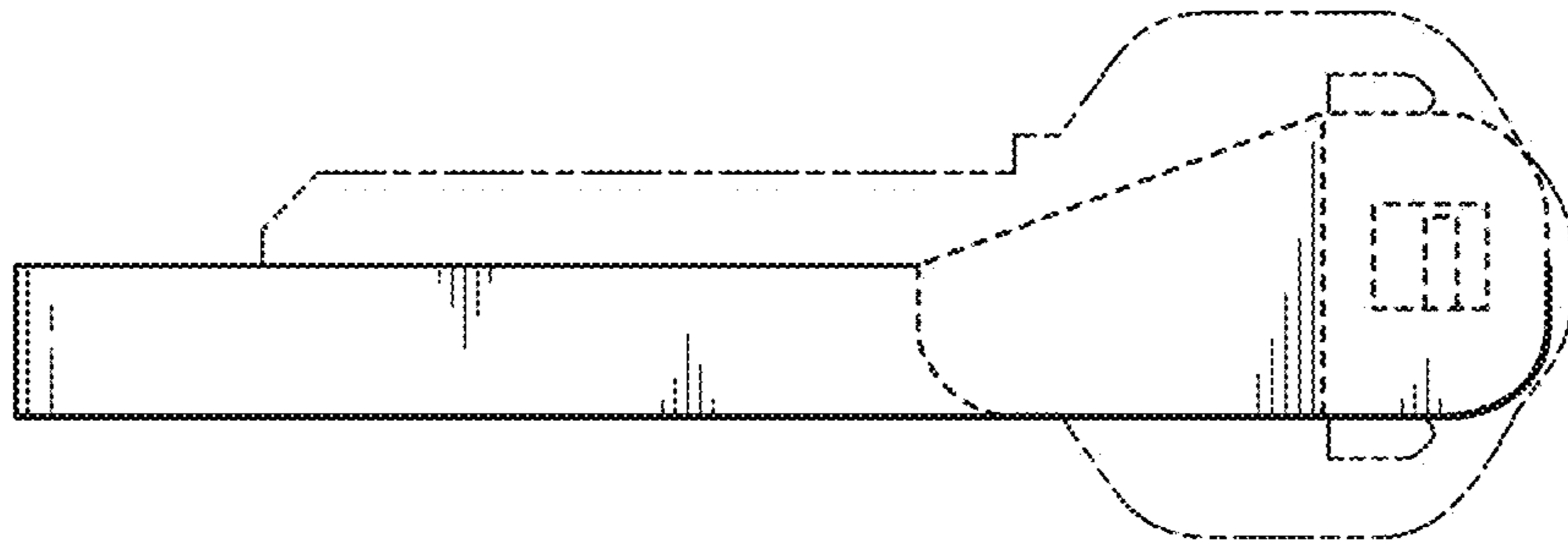


FIG. 22

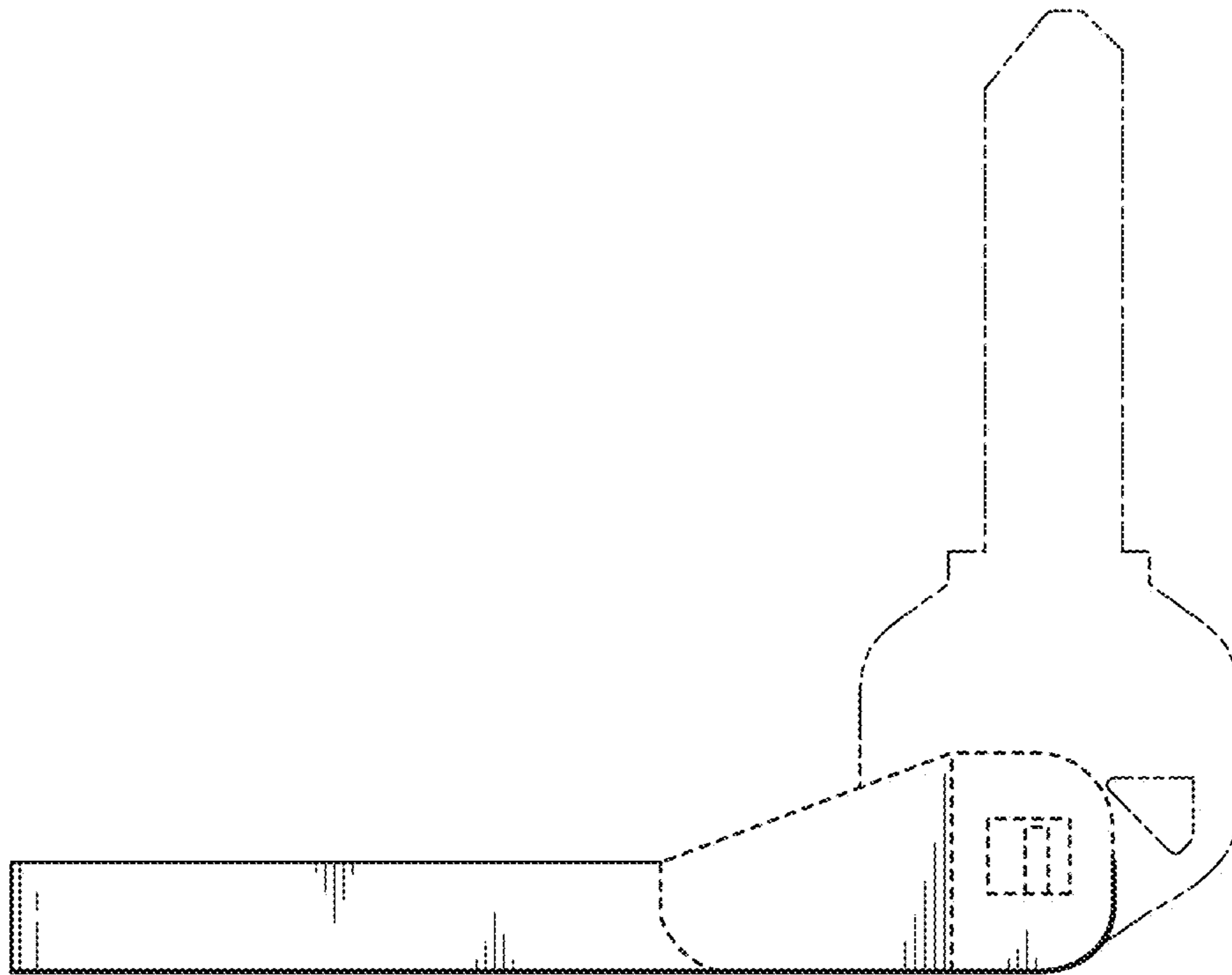


FIG. 23