



US00D714538S

(12) **United States Design Patent**
Bestard-Ribas et al.

(10) **Patent No.:** **US D714,538 S**

(45) **Date of Patent:** **** Oct. 7, 2014**

(54) **KEY FOB**

(71) Applicant: **Bielet, Inc.**, San Francisco, CA (US)

(72) Inventors: **Gabriel Bestard-Ribas**, San Francisco, CA (US); **Steven Thomas Bakondi**, San Francisco, CA (US); **Lloyd Seliber**, San Mateo, CA (US); **Thomas Grimm**, Los Angeles, CA (US)

(73) Assignee: **Bielet, Inc.**, San Francisco, CA (US)

(**) Term: **14 Years**

(21) Appl. No.: **29/471,365**

(22) Filed: **Oct. 30, 2013**

(51) **LOC (10) Cl.** **03-01**

(52) **U.S. Cl.**
USPC **D3/207**

(58) **Field of Classification Search**
CPC A44B 9/12; A44B 15/00; A47G 29/10
USPC D11/1-2, 14, 26-29, 89-92, 44, 48, 81,
D11/99; 63/26-28, 32; D3/207-212; D8/16,
D8/38, 347, 348; 70/456 B, 457, 458, 408;
206/37.1

See application file for complete search history.

(56) **References Cited**

U.S. PATENT DOCUMENTS

2,896,290 A * 7/1959 Salm et al. 24/600.4
3,299,679 A * 1/1967 Anderson 70/459

D258,850 S * 4/1981 Brentini D3/207
D258,921 S * 4/1981 Brentini D3/207
D299,480 S * 1/1989 Harari D3/207
D554,363 S * 11/2007 Bates et al. D3/207
D636,175 S * 4/2011 Edocs D3/207
D636,986 S * 5/2011 Idsoe D3/208
D655,709 S * 3/2012 Huang D14/480.3
D661,889 S * 6/2012 Wu D3/207
D662,941 S * 7/2012 Emami D14/480.3

* cited by examiner

Primary Examiner — Ralf Seifert

(74) *Attorney, Agent, or Firm* — Ascenda Law Group, PC

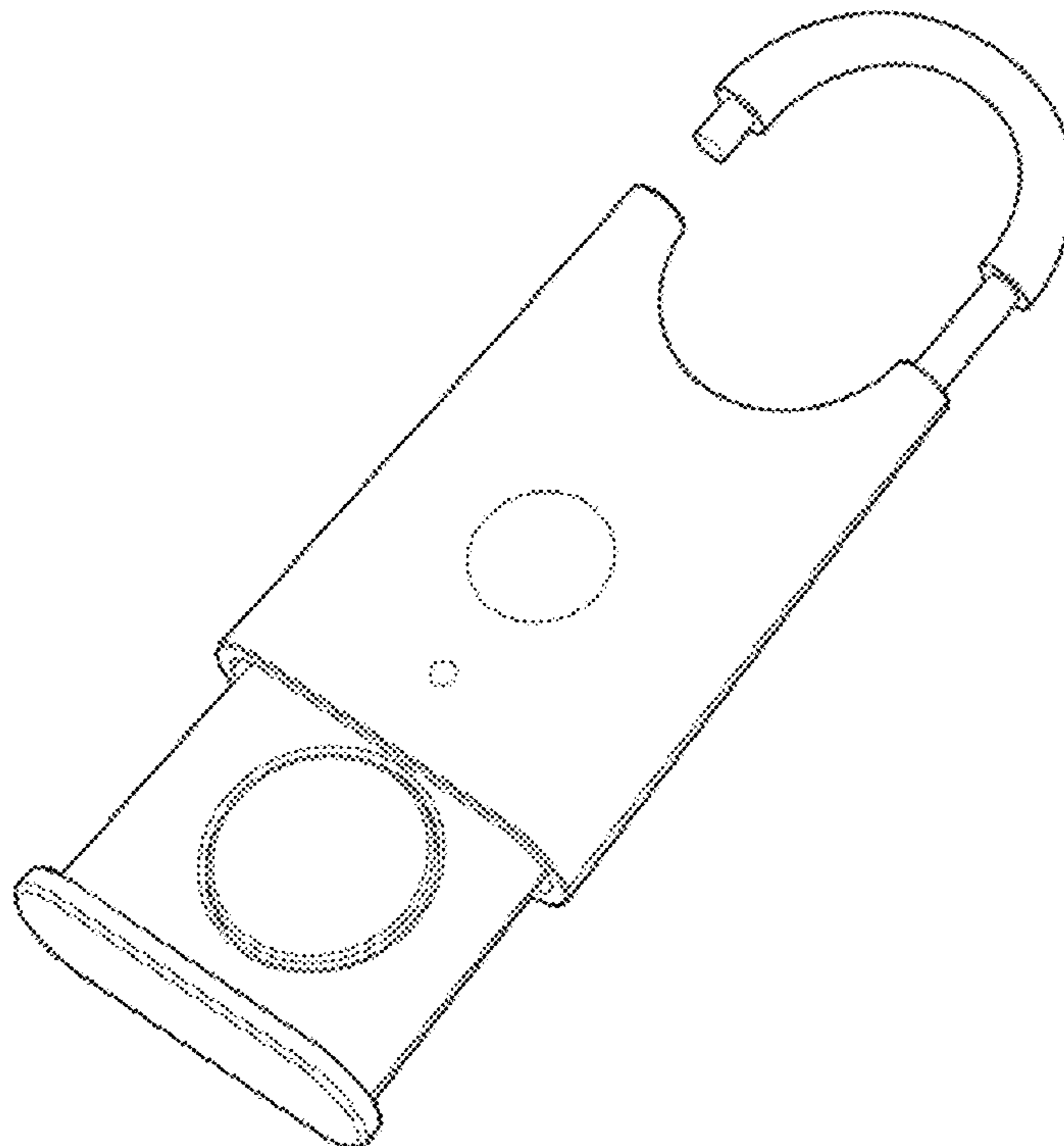
(57) **CLAIM**

The ornamental design for a key fob, as shown and described.

DESCRIPTION

FIG. 1 is a top view of a key fob in a first state, showing our new design;
FIG. 2 is a front view of the key fob in a first state;
FIG. 3 is a back view of the key fob in the first state;
FIG. 4 is a bottom view the key fob;
FIG. 5 is a right side view of the key fob in the first state, the left side view of the key fob in the first state being a mirror image of the right side view of the key fob in the first state; and,
FIG. 6. is a perspective view of the key fob in a second state.

1 Claim, 3 Drawing Sheets



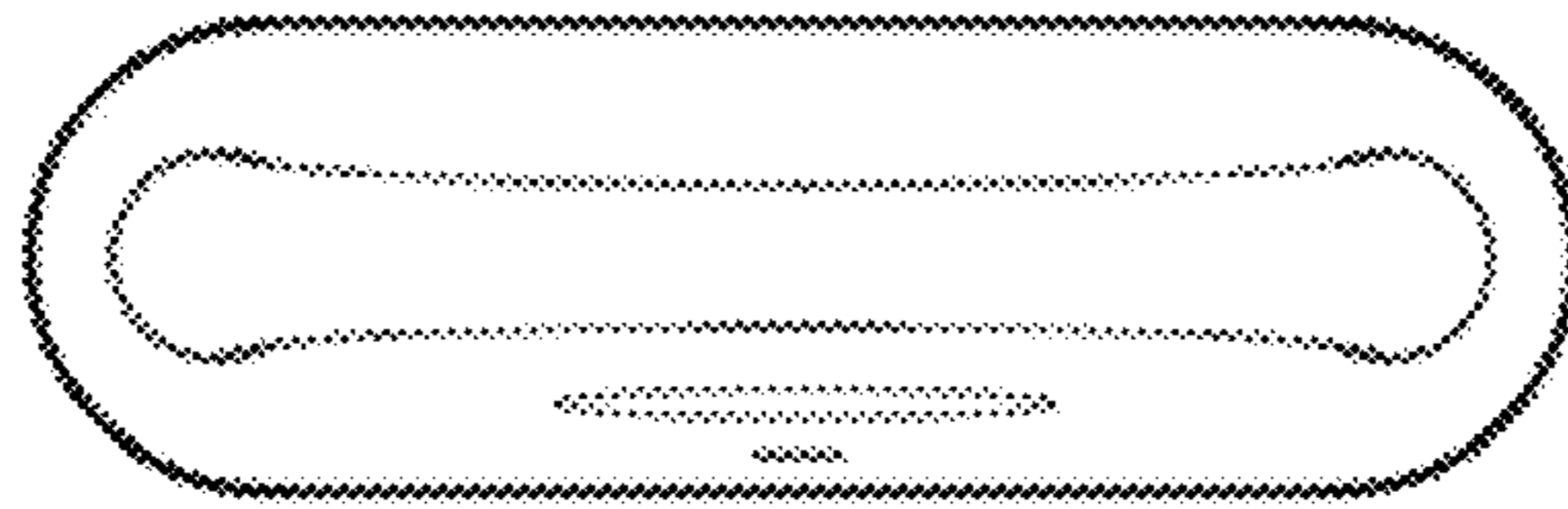


FIG. 1

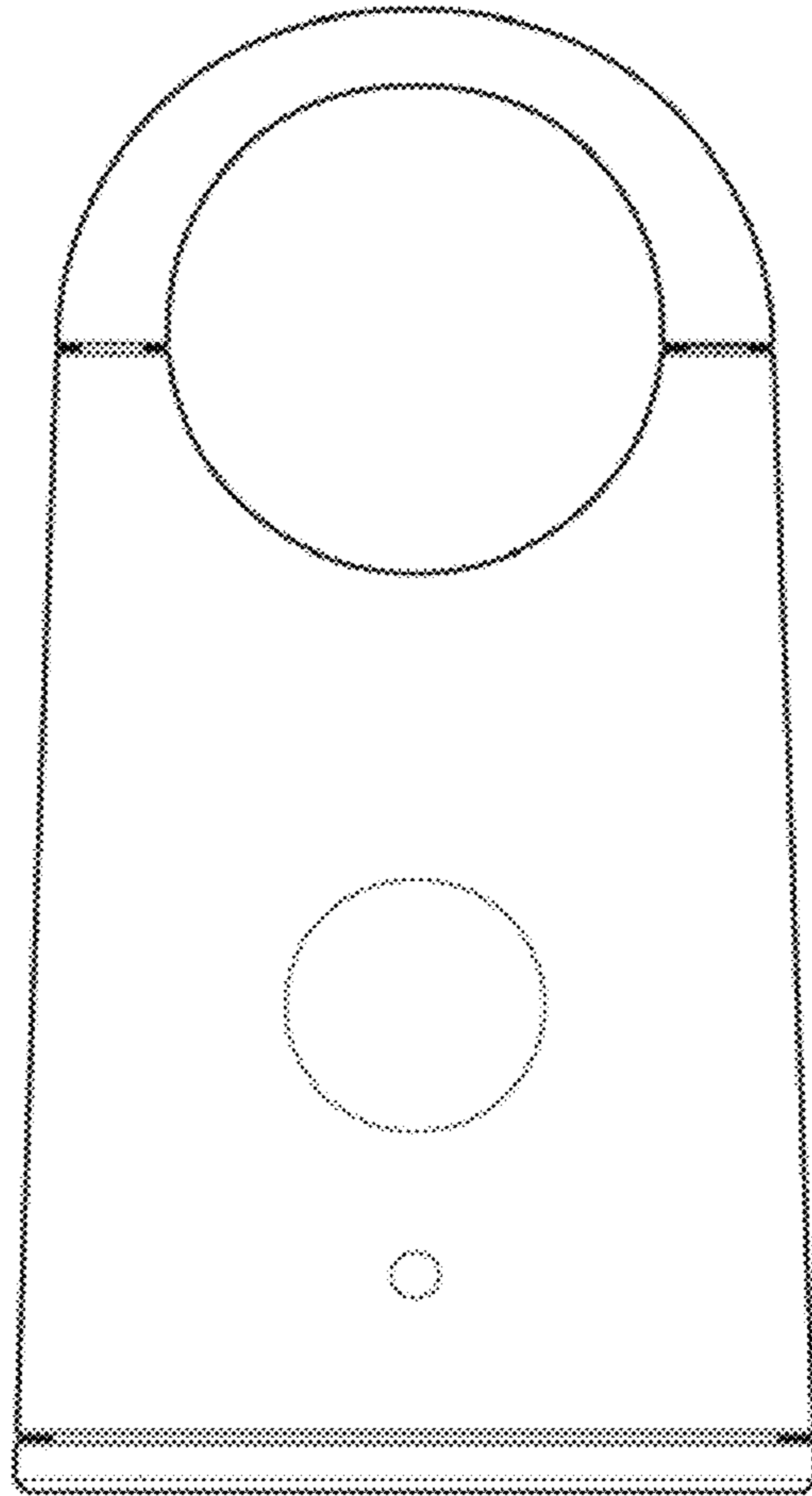


FIG. 2

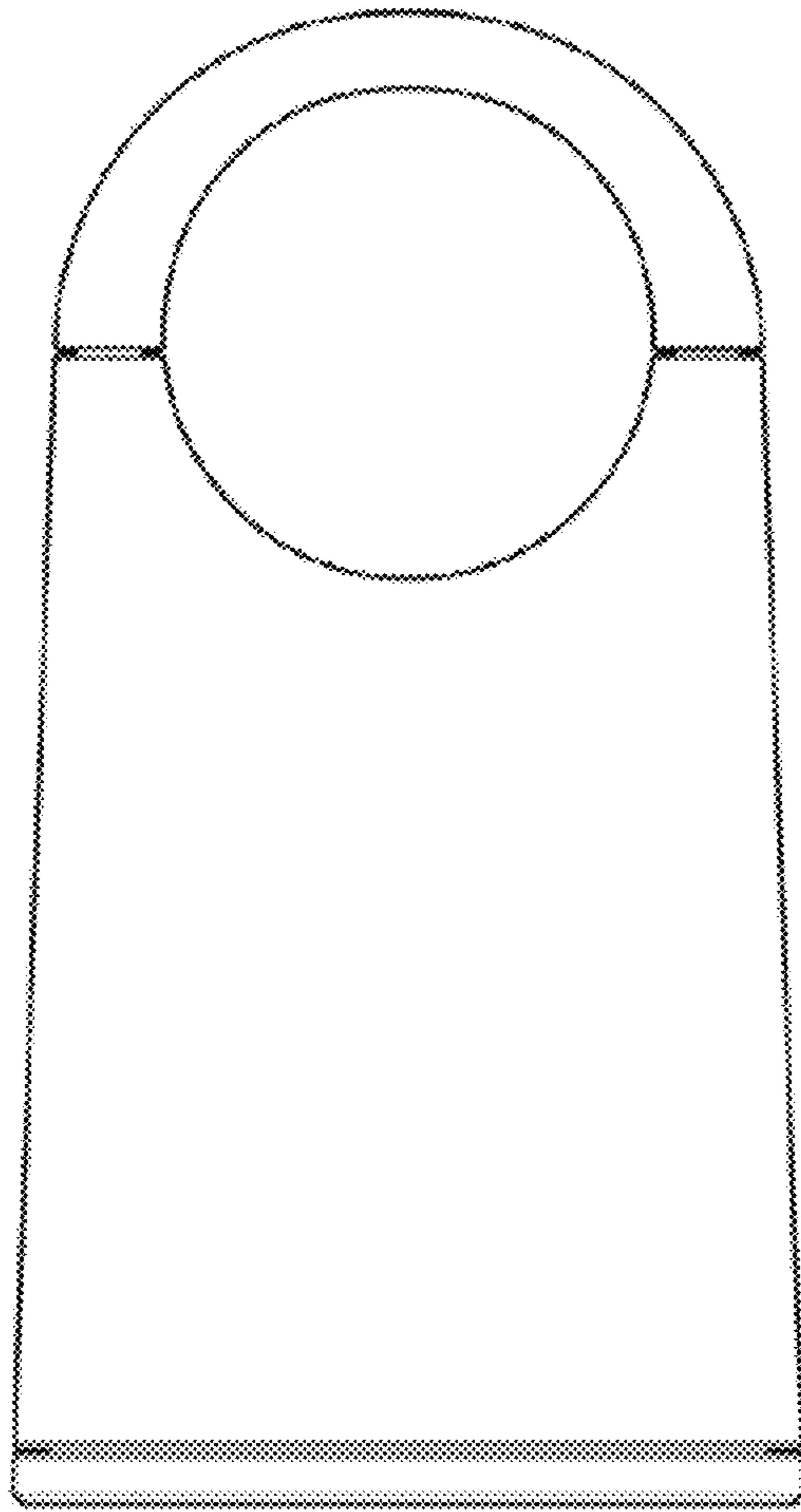


FIG. 3

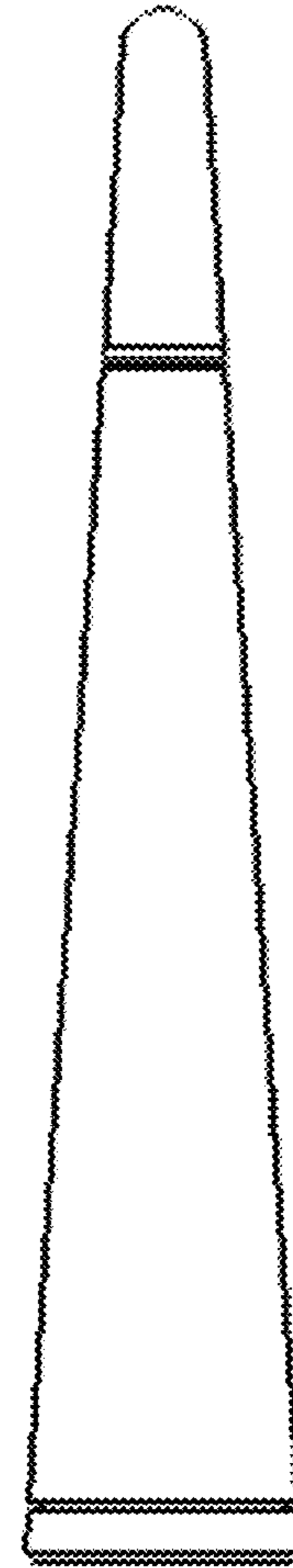


FIG. 5



FIG. 4

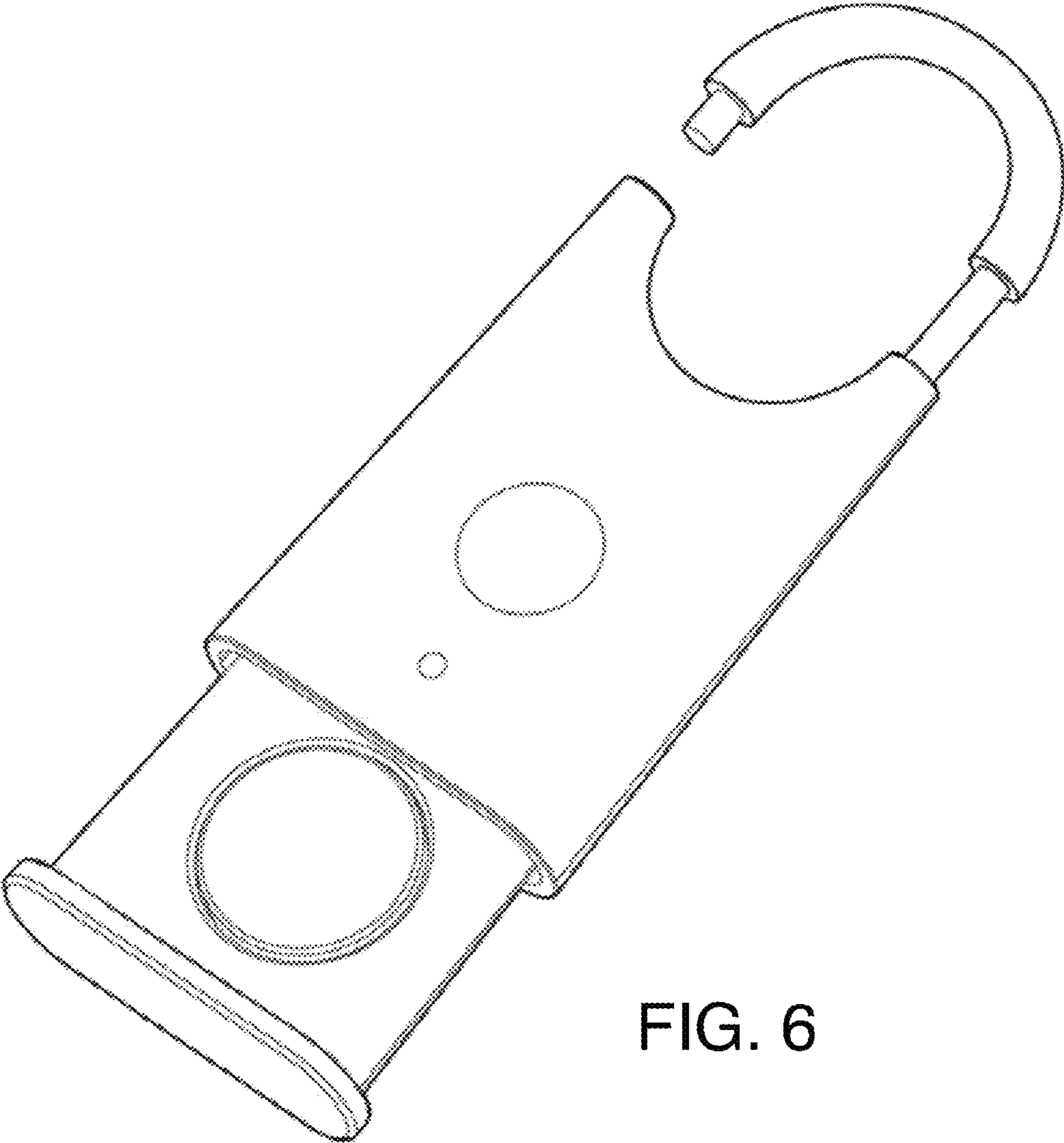


FIG. 6