



US00D714531S

(12) **United States Design Patent**  
**Guglielmo et al.**

(10) **Patent No.:** **US D714,531 S**  
(45) **Date of Patent:** **\*\* Oct. 7, 2014**

(54) **EYELET COVER**

(71) Applicants: **Dominick Daniel Guglielmo**, Portland,  
OR (US); **Jeffrey Todd Kraai**,  
Vancouver, WA (US)

(72) Inventors: **Dominick Daniel Guglielmo**, Portland,  
OR (US); **Jeffrey Todd Kraai**,  
Vancouver, WA (US)

(73) Assignee: **Crowns XL, LLC**, Portland, OR (US)

(\*\*) Term: **14 Years**

(21) Appl. No.: **29/449,730**

(22) Filed: **Mar. 15, 2013**

(51) **LOC (10) Cl.** ..... **02-04**

(52) **U.S. Cl.**  
USPC ..... **D2/946**

(58) **Field of Classification Search**  
USPC ..... D2/946, 976, 978; D8/349, 354, 356,  
D8/367; D26/36, 74, 88, 89, 124; 24/453;  
411/508, 510; 174/153 G  
See application file for complete search history.

(56) **References Cited**

**U.S. PATENT DOCUMENTS**

777,937 A 12/1904 Brabrook  
D313,340 S \* 1/1991 Stathis et al. .... D8/356

D318,412 S \* 7/1991 Williams ..... D8/356  
D337,255 S \* 7/1993 Novelli, Sr. .... D8/356  
D362,176 S \* 9/1995 Solbeck ..... D8/382  
D422,307 S \* 4/2000 Whaley ..... D19/32  
D442,064 S \* 5/2001 Chung ..... D8/356  
D623,045 S \* 9/2010 Moncade et al. .... D8/354  
2011/0107619 A1 \* 5/2011 Esquivel et al. .... 36/50.1

**FOREIGN PATENT DOCUMENTS**

WO WO 2011/066462 A1 6/2011

\* cited by examiner

*Primary Examiner* — Stella Reid

*Assistant Examiner* — Janice Lim

(74) *Attorney, Agent, or Firm* — Stoel Rives LLP

(57) **CLAIM**

The ornamental design for an eyelet cover, as shown and described.

**DESCRIPTION**

FIG. 1 is a top perspective view of an eyelet cover, showing our new design.

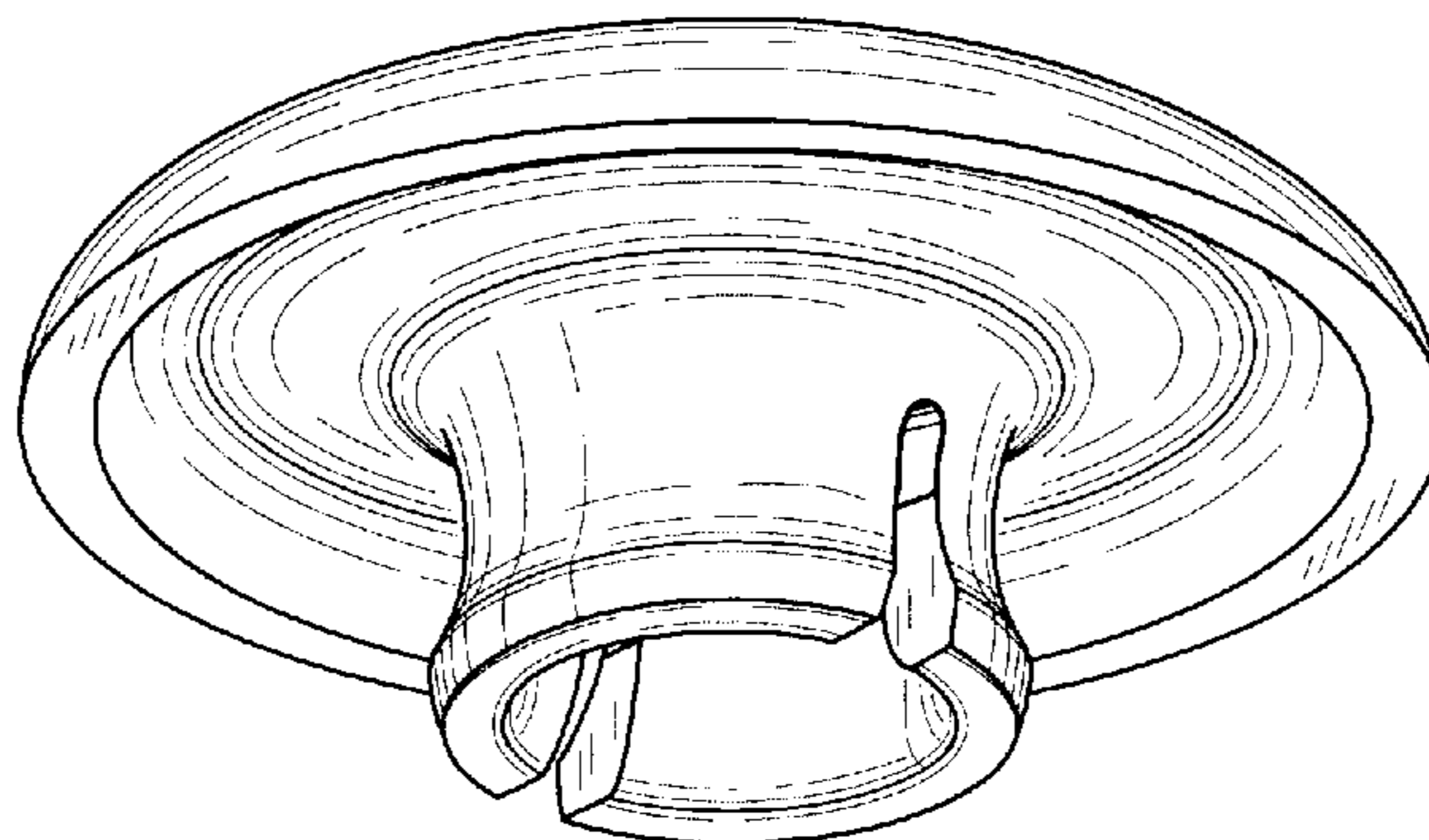
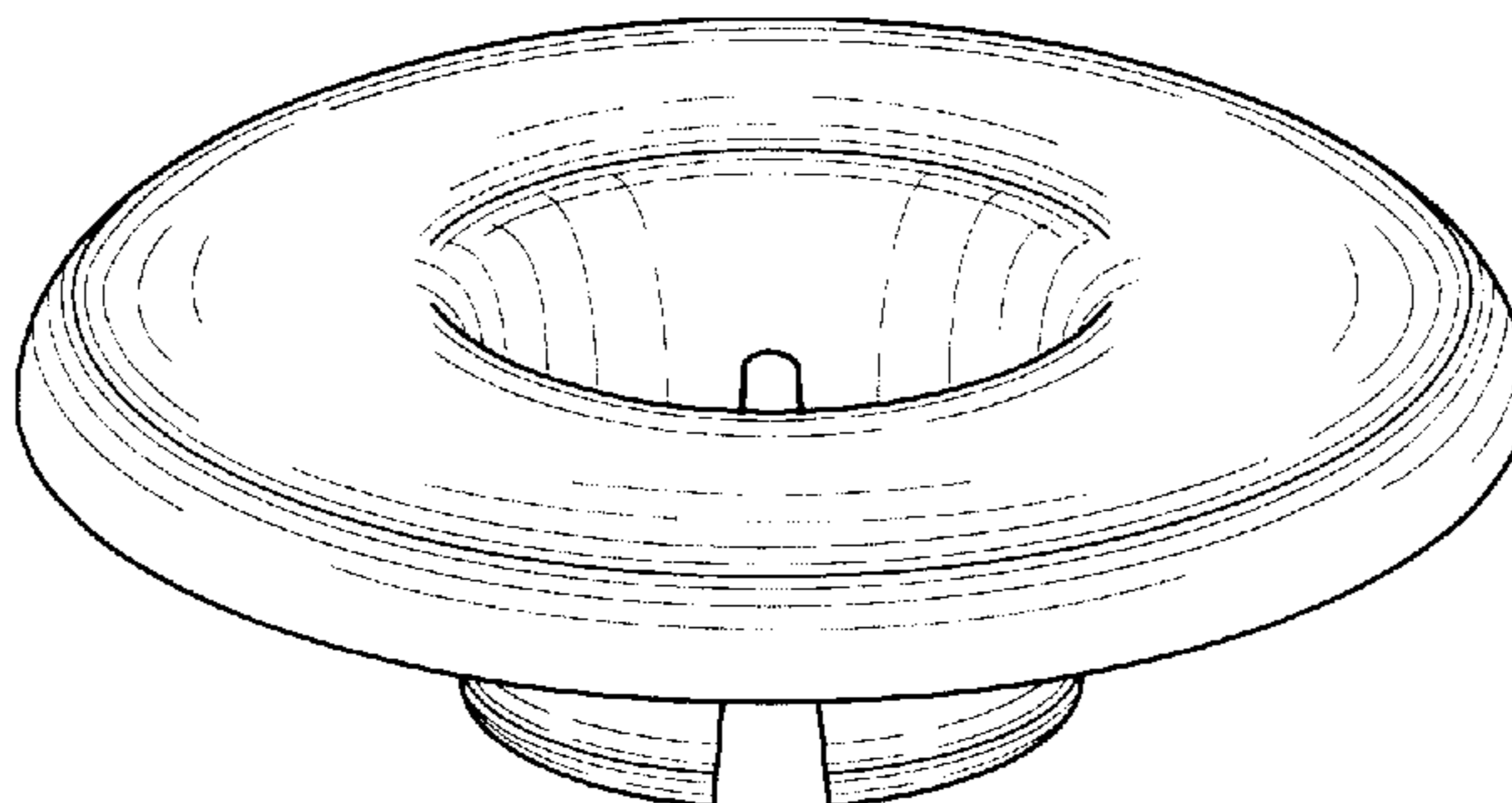
FIG. 2 is a bottom perspective view of the eyelet cover of FIG. 1.

FIG. 3 is a side view of the eyelet cover of FIG. 1.

FIG. 4 is a top view of the eyelet cover of FIG. 1; and,

FIG. 5 is a bottom view of the eyelet cover of FIG. 1.

**1 Claim, 2 Drawing Sheets**



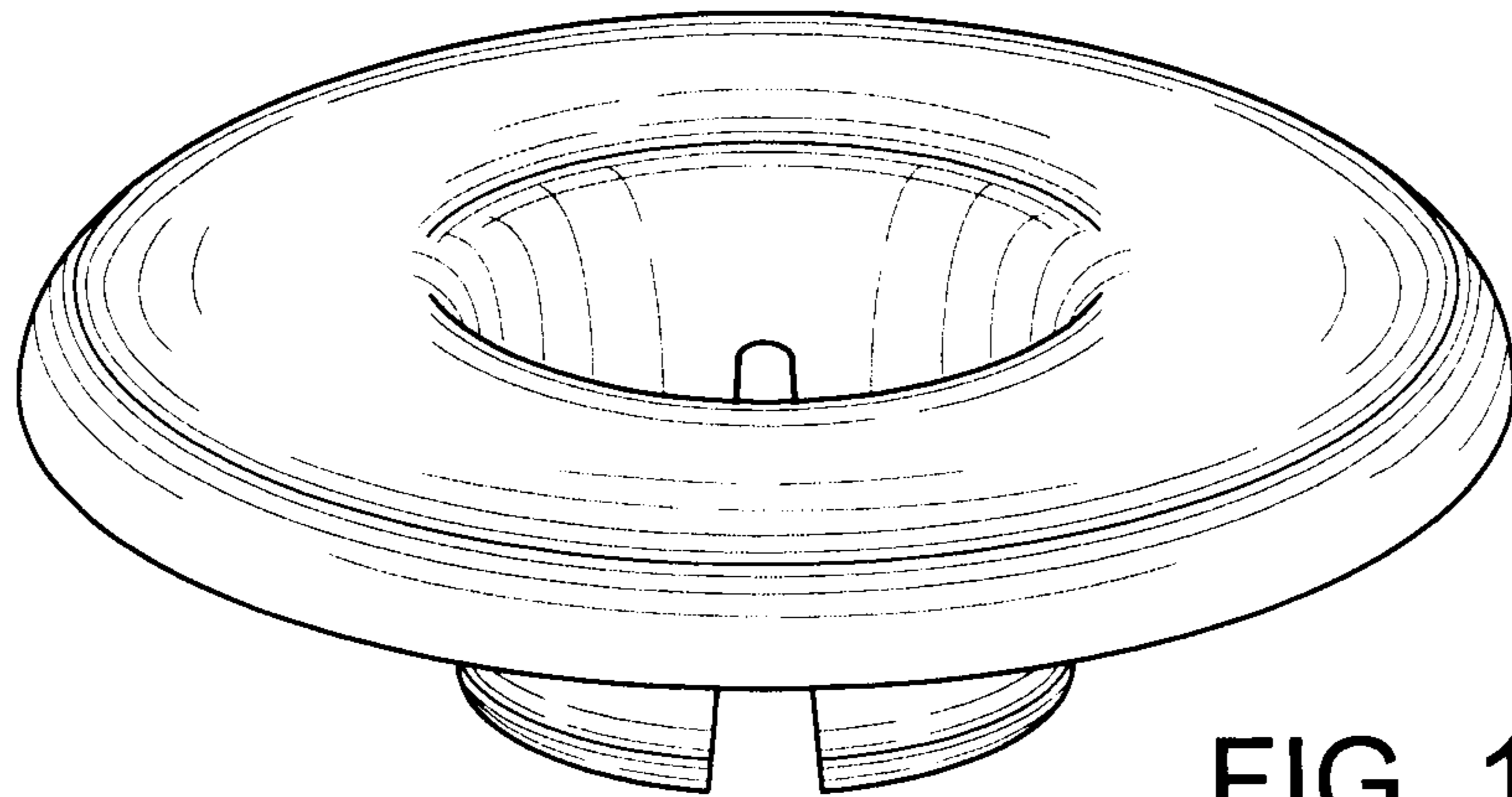


FIG. 1

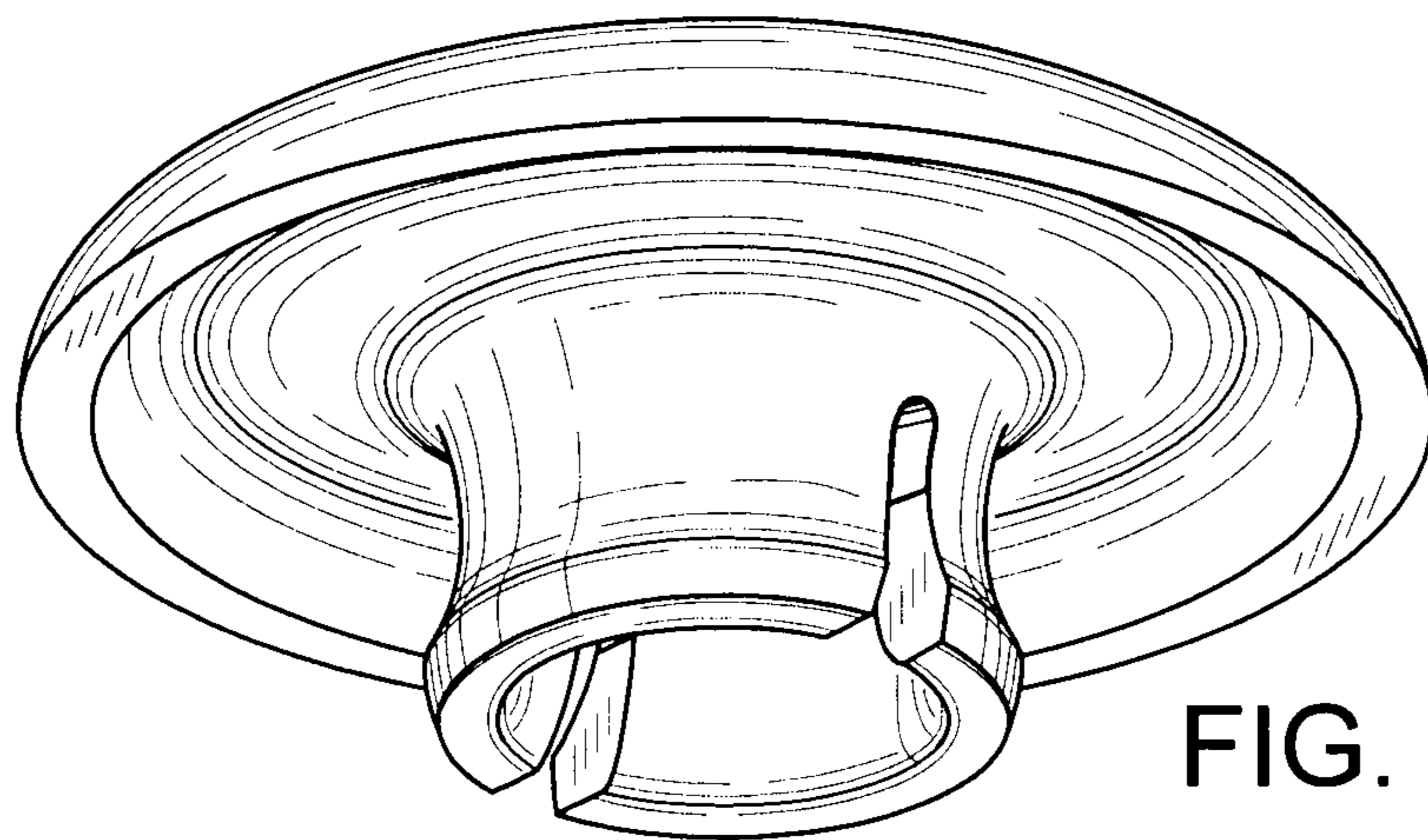


FIG. 2

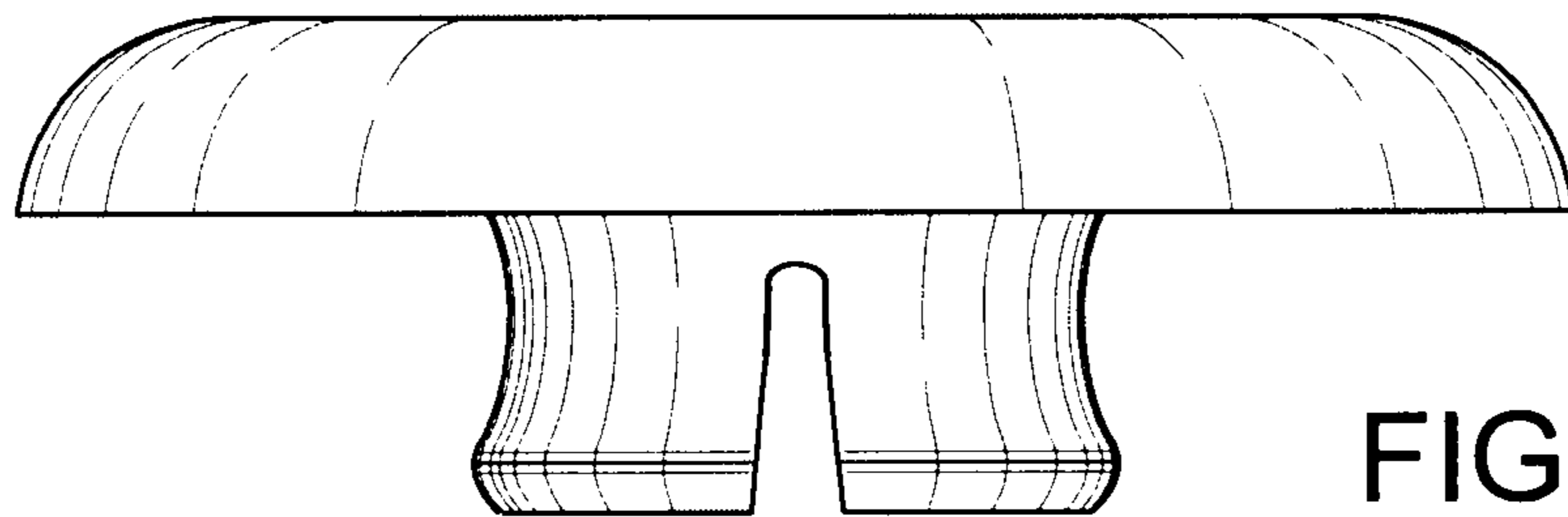


FIG. 3

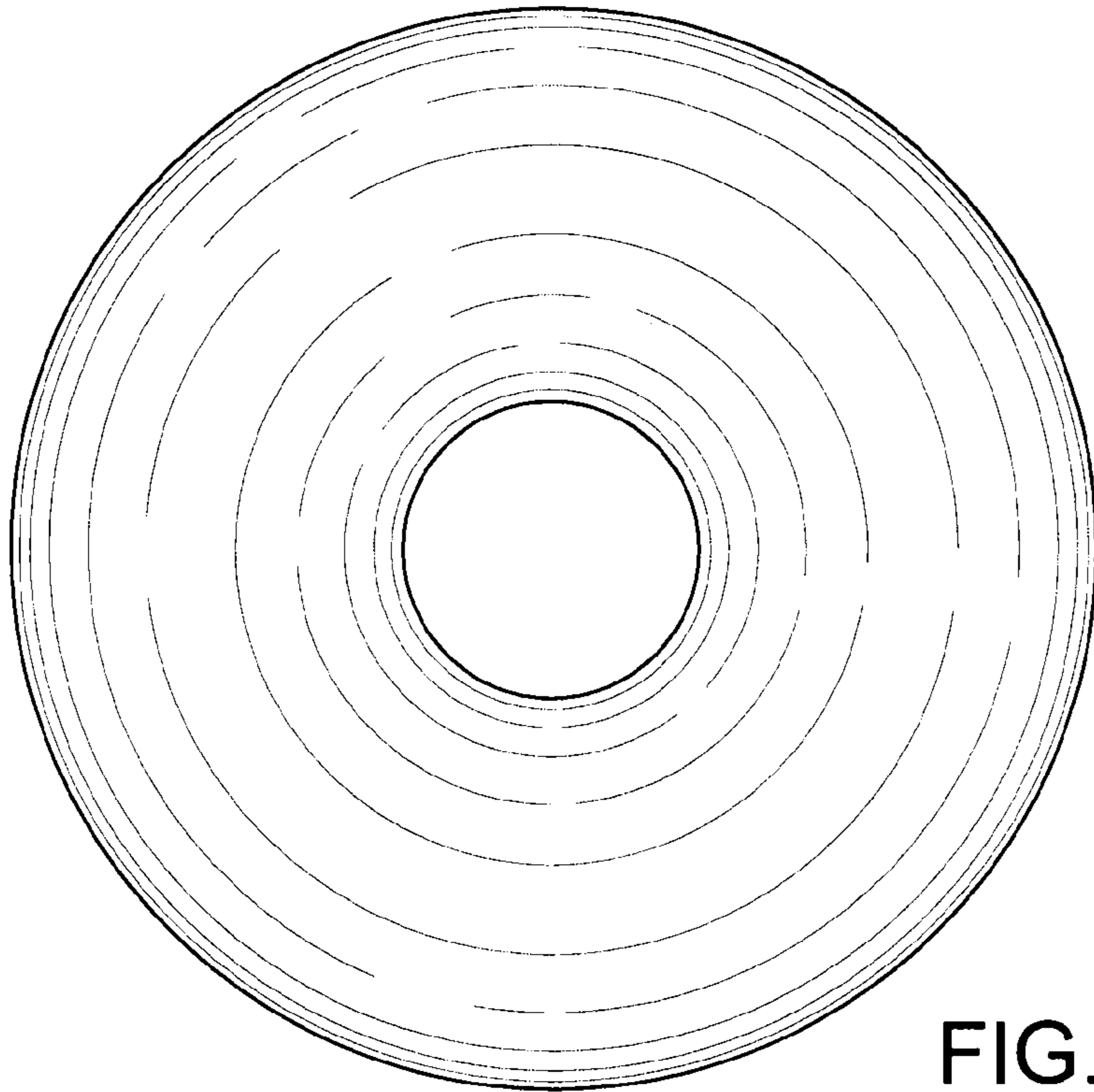


FIG. 4

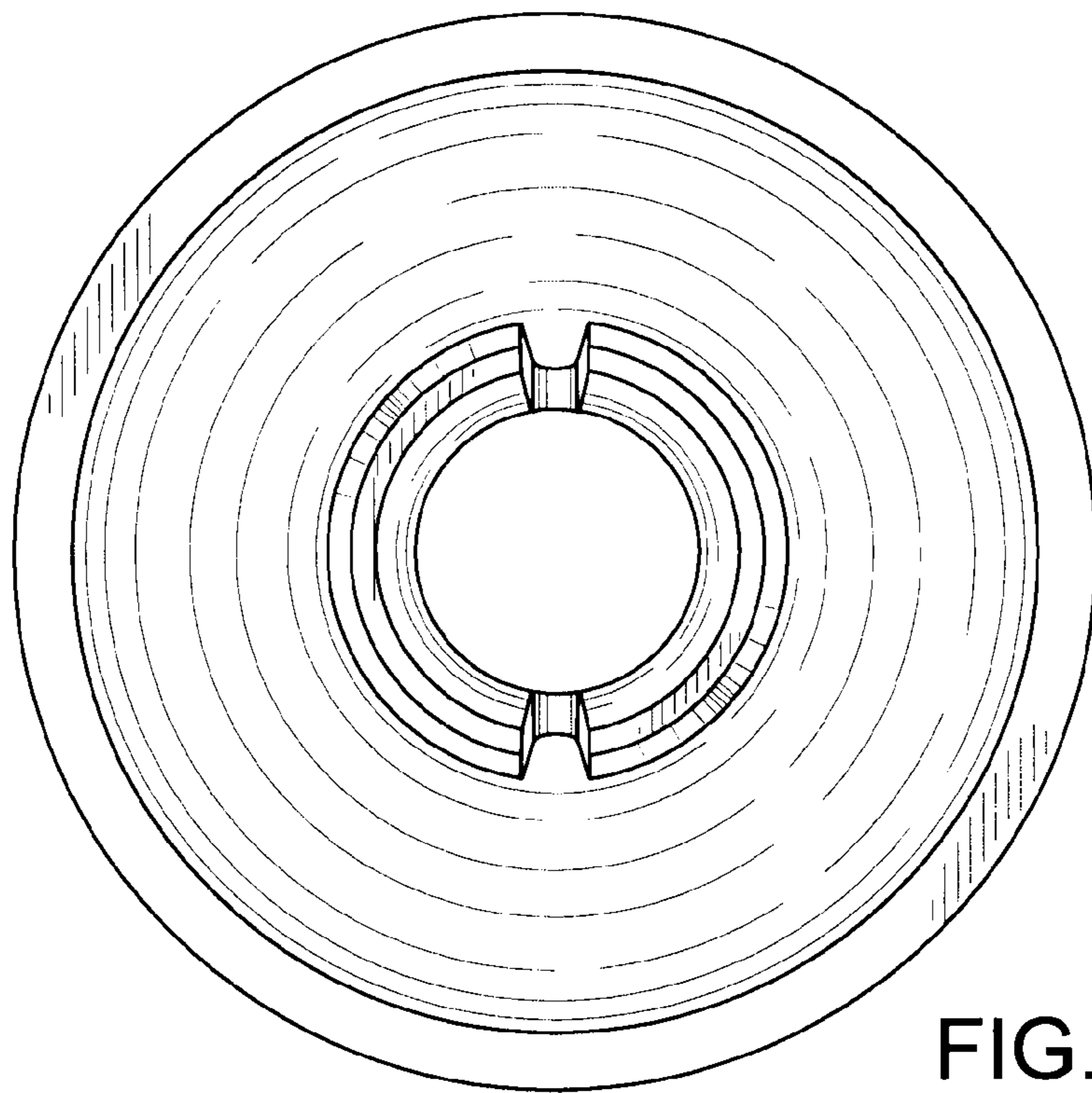


FIG. 5