



US00D714528S

(12) **United States Design Patent**  
**Bartelt**

(10) **Patent No.:** **US D714,528 S**

(45) **Date of Patent:** **\*\* Oct. 7, 2014**

(54) **HAT WITH DETACHABLE ARTICLE OF APPAREL**

(71) Applicant: **Stephanie Bartelt**, Portland, OR (US)

(72) Inventor: **Stephanie Bartelt**, Portland, OR (US)

(\*\*) Term: **14 Years**

(21) Appl. No.: **29/446,439**

(22) Filed: **Feb. 22, 2013**

(51) **LOC (10) Cl.** ..... **02-03**

(52) **U.S. Cl.**  
USPC ..... **D2/866; D2/882**

(58) **Field of Classification Search**  
USPC ..... D2/501, 865, 866, 871, 872, 875, 876,  
D2/877, 878, 879, 880, 881, 882, 883, 884,  
D2/886, 887, 888, 891, 892; 2/171, 175.3,  
2/171.5, 171.6, 171.7, 171.8, 175.1,  
2/175.5, 183, 195.1, 195.2, 204, 207,  
2/209.12, 209.13, 209.3, 209.4, 209.5,  
2/209.7

See application file for complete search history.

(56) **References Cited**

**U.S. PATENT DOCUMENTS**

317,677	A	*	5/1885	Sawyer	.....	2/175.1
834,900	A	*	11/1906	Glerum	.....	2/175.3
D93,212	S	*	9/1934	Goldsmith	.....	D2/882
D115,482	S	*	6/1939	Royak	.....	D2/886
D136,525	S	*	10/1943	Harpignies	.....	D2/877
D347,723	S	*	6/1994	Navis	.....	D2/871
D352,596	S	*	11/1994	Williams, Jr.	.....	D2/887
D390,340	S	*	2/1998	Najim	.....	D2/866
D524,517	S	*	7/2006	Javits, Jr.	.....	D2/875

D525,414	S	*	7/2006	Yan	.....	D2/876
D529,262	S	*	10/2006	Yan	.....	D2/876
D702,421	S	*	4/2014	Bartelt	.....	D2/882
2005/0108810	A1	*	5/2005	Yan	.....	2/195.4

\* cited by examiner

*Primary Examiner* — Karen E Eldridge Powers

(74) *Attorney, Agent, or Firm* — Lane Powell PC

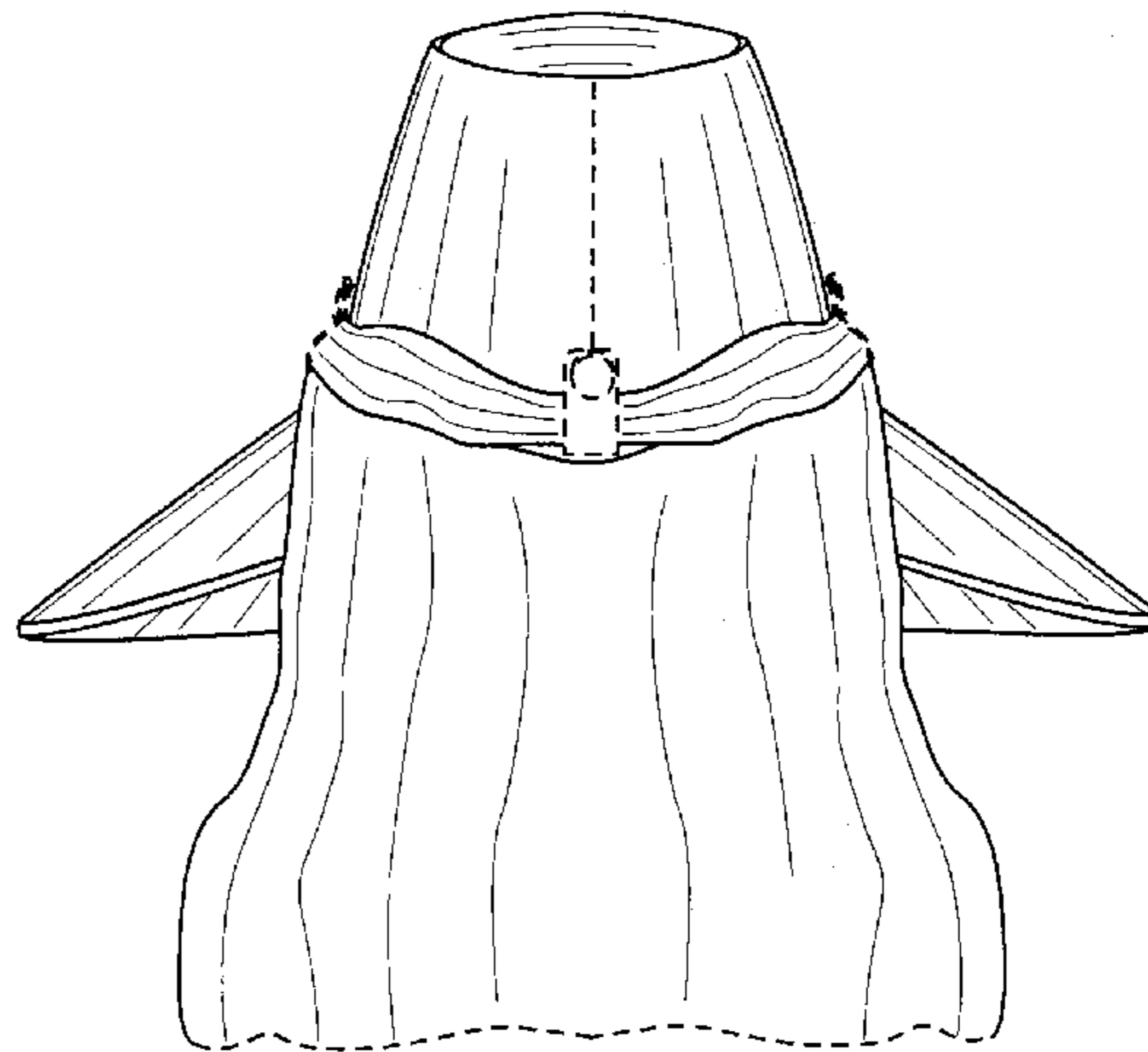
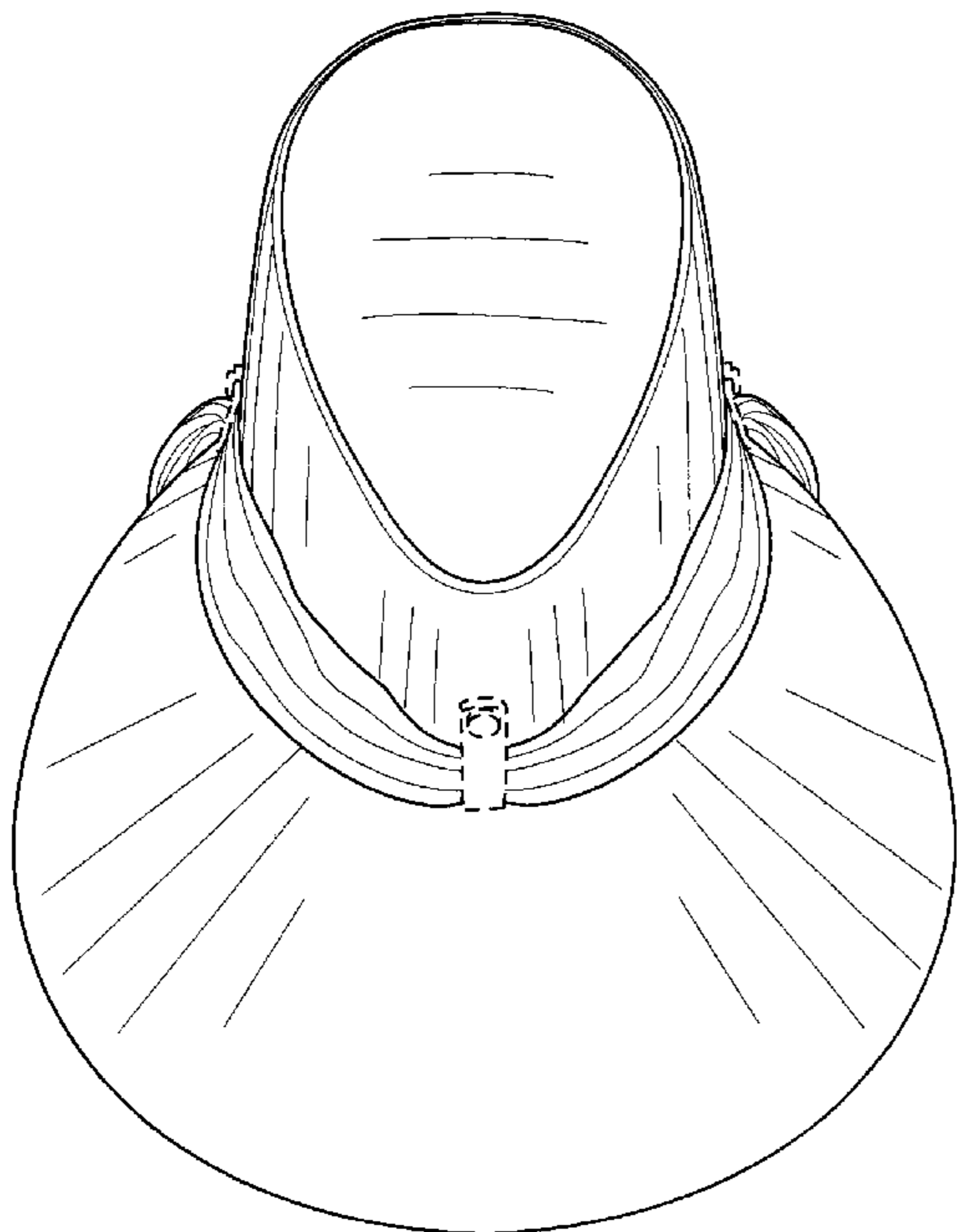
(57) **CLAIM**

The ornamental design for a hat with a detachable article of apparel, as shown and described.

**DESCRIPTION**

FIG. 1 is a front, top isometric view of the hat with a detachable article of apparel secured thereto.  
 FIG. 2 is a lower, side isometric view of the hat with a detachable article of apparel secured thereto of FIG. 1 showing possible wearing by a person shown in broken lines, said person forming no part of the claimed design.  
 FIG. 3 is a right side view thereof, the left side view being a mirror image of FIG. 3.  
 FIG. 4 is a front, plan view thereof.  
 FIG. 5 is a rear, plan view thereof.  
 FIG. 6 is a top, plan view of the hat with detachable article of apparel of FIG. 1; and,  
 FIG. 7 is a bottom, plan view thereof.  
 Article of apparel attachment structures, seams, the internal sweatband, neck straps, the crown size adjustment structure (shown on the interior surface of the crown in FIG. 7), and the end portion of the article of apparel extending away from the hat shown in broken lines in the figures are unclaimed features of the article in which the claimed design is embodied.

**1 Claim, 4 Drawing Sheets**



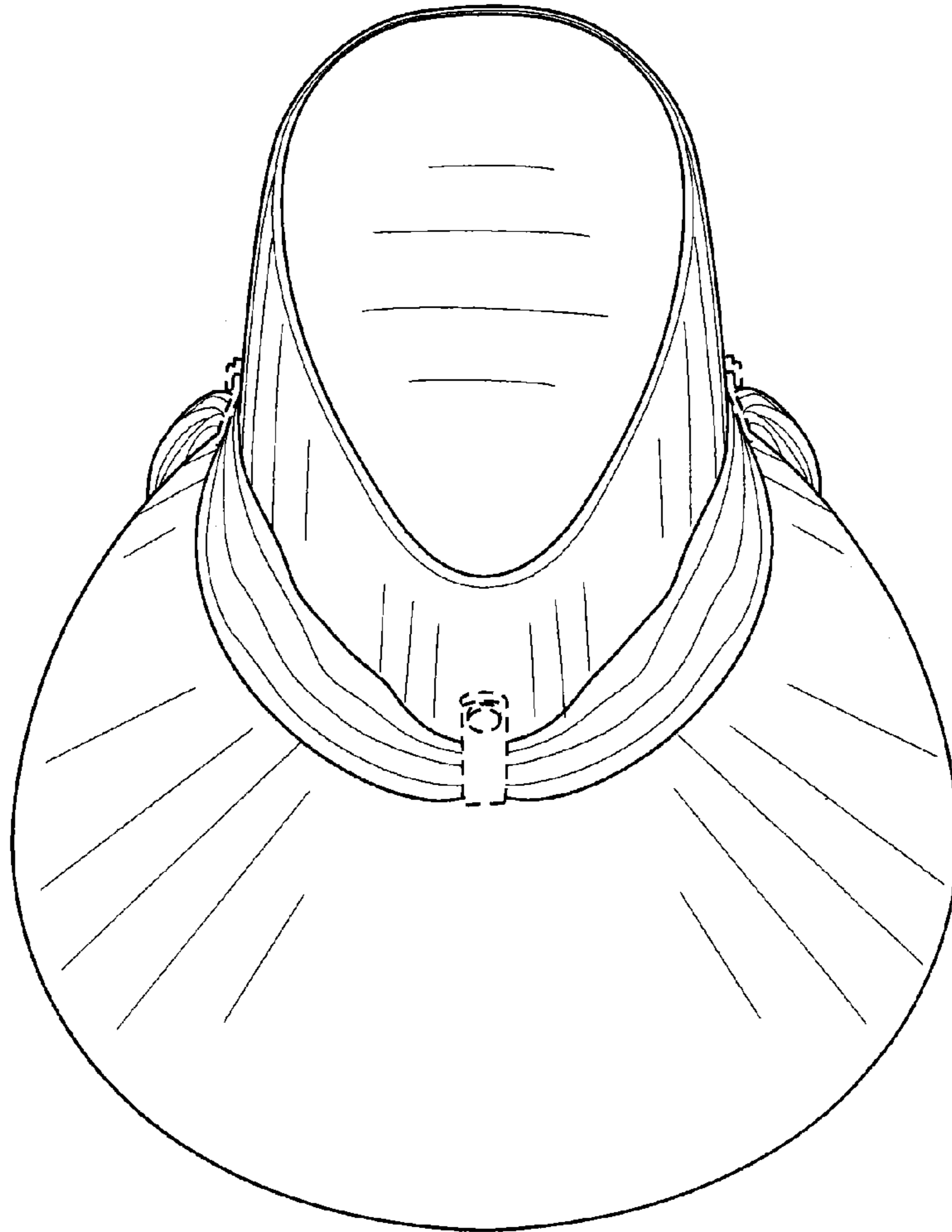


FIG. 1

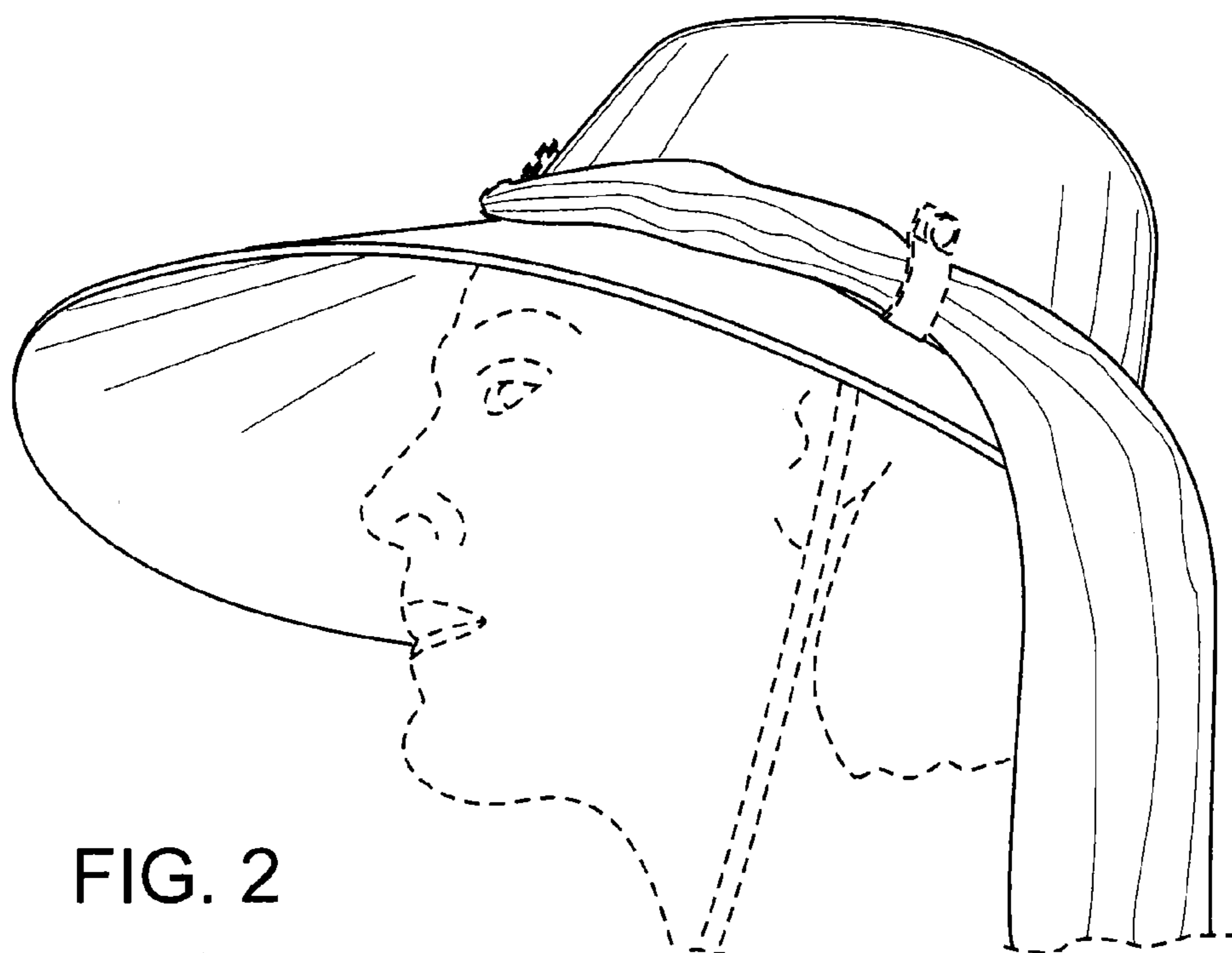


FIG. 2

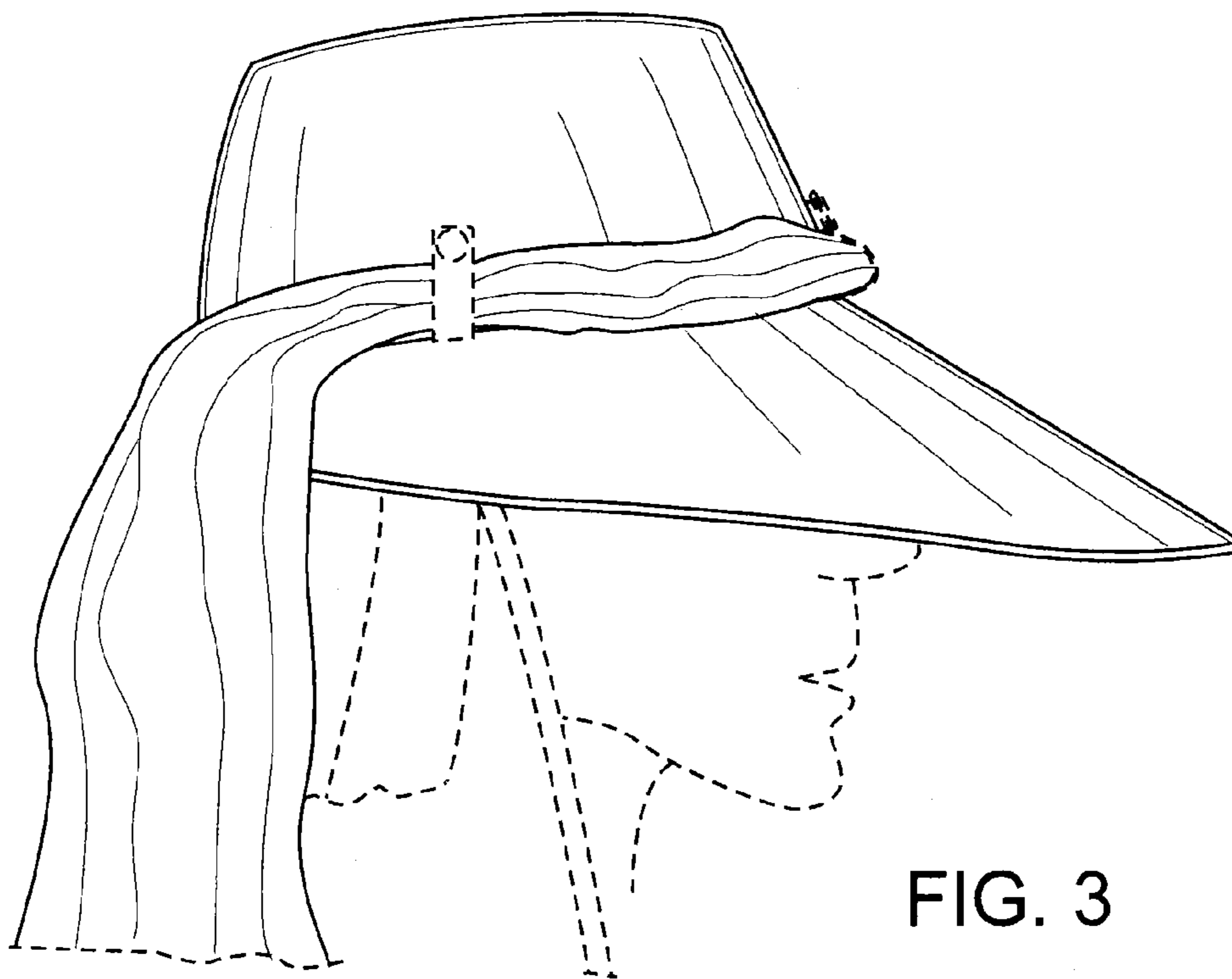


FIG. 3

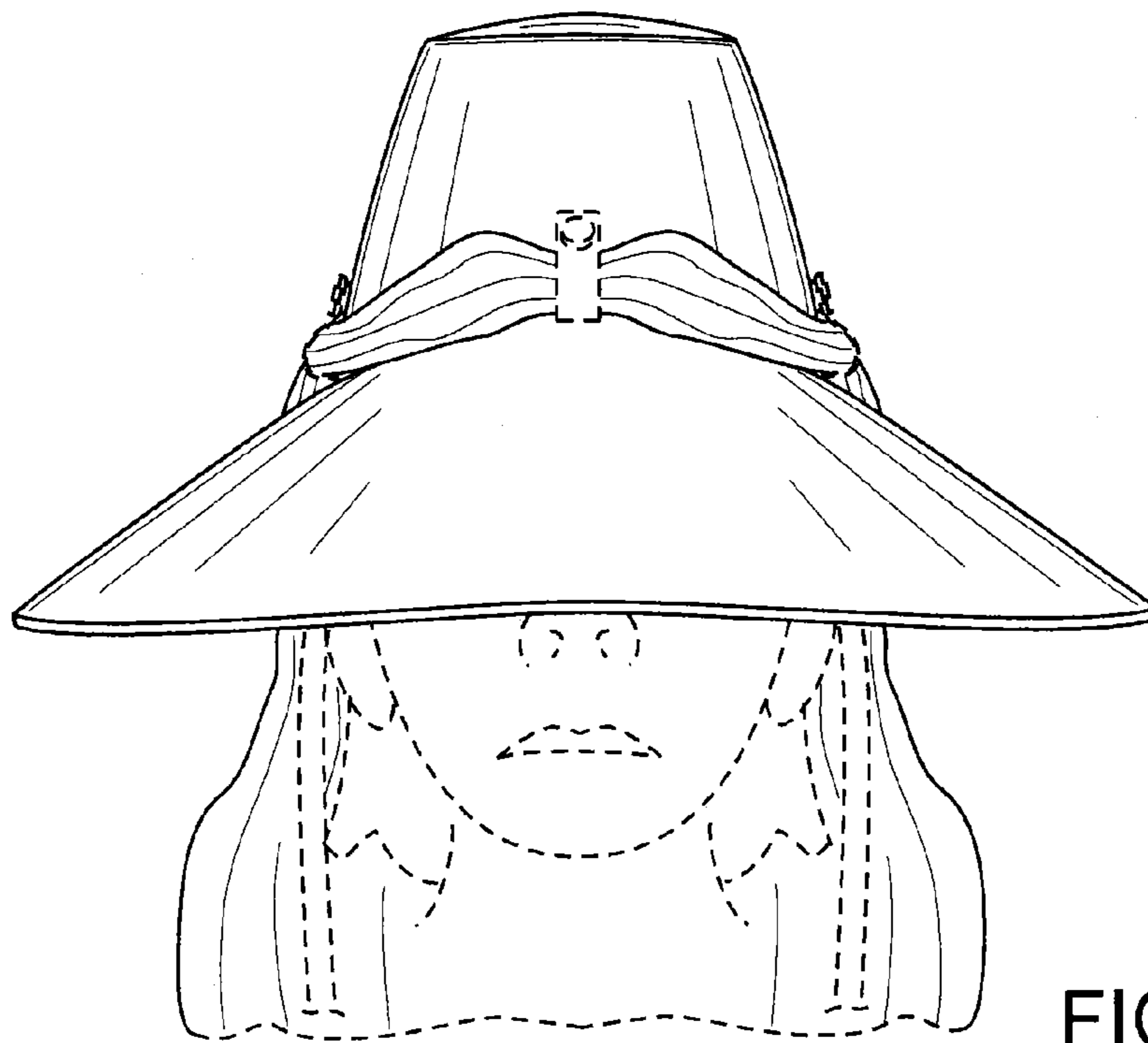


FIG. 4

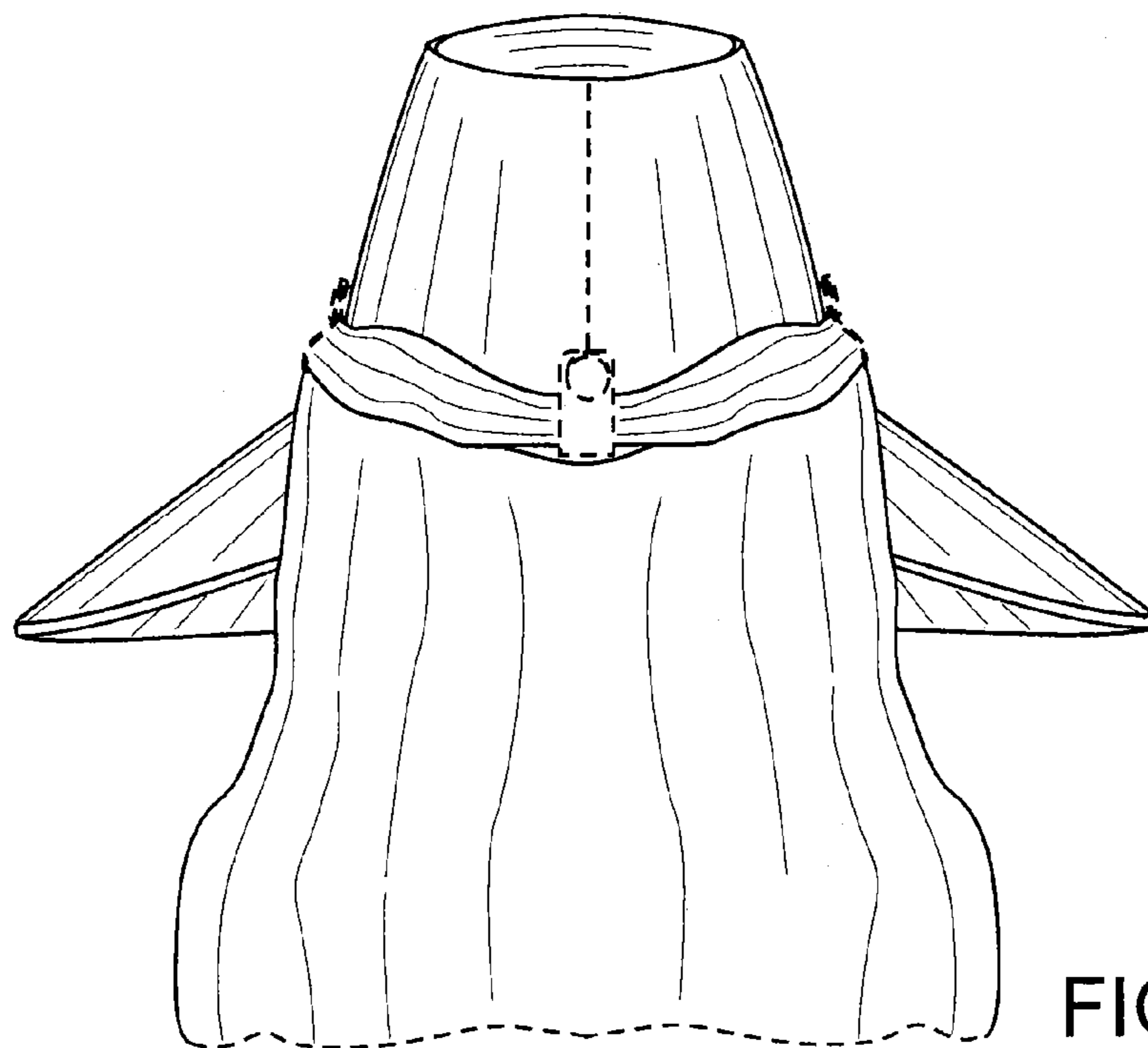


FIG. 5

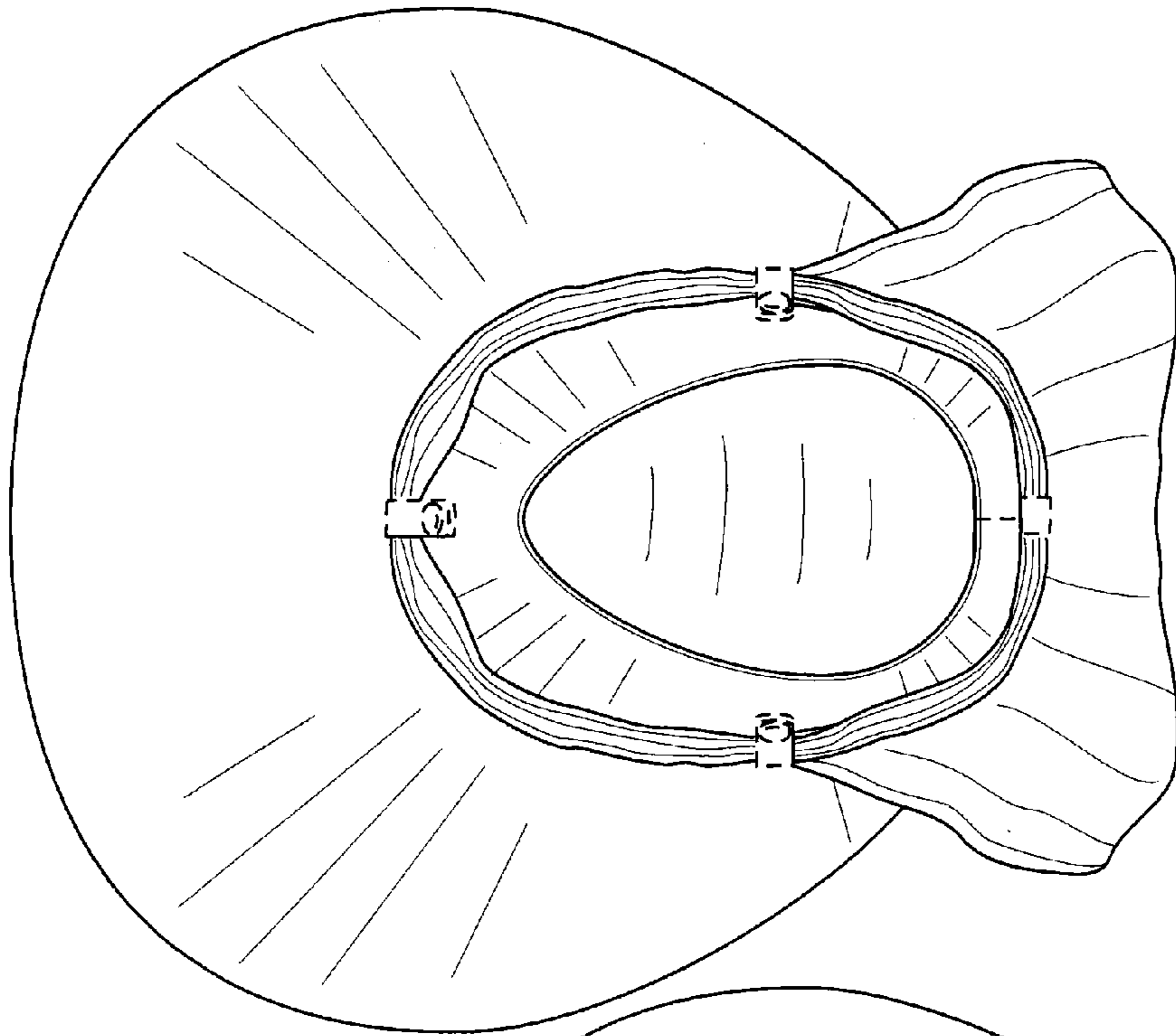


FIG. 6

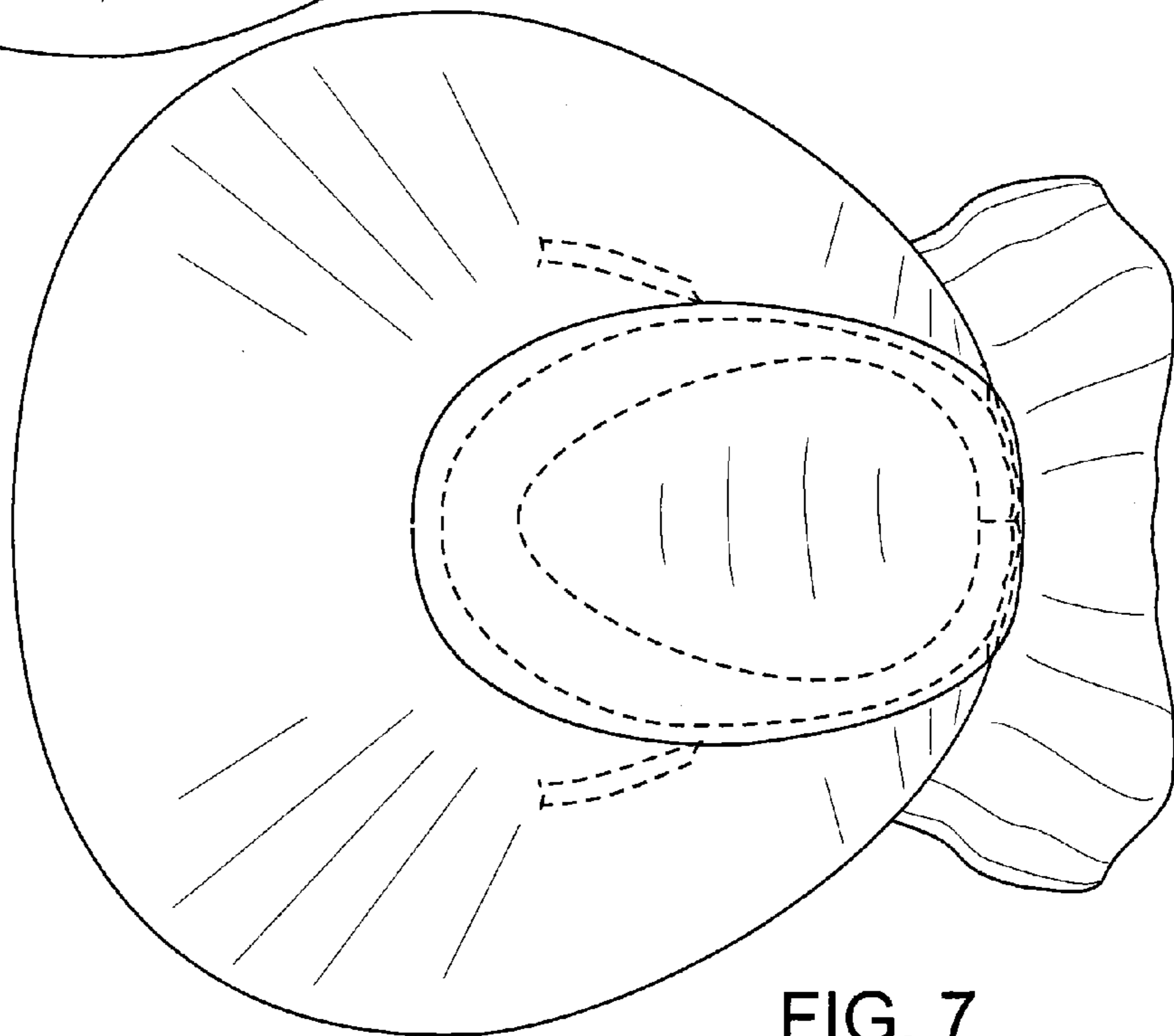


FIG. 7