



US00D714523S

(12) **United States Design Patent**
Stinson et al.

(10) **Patent No.:** **US D714,523 S**

(45) **Date of Patent:** **** Oct. 7, 2014**

(54) **SHORTS**

(71) Applicant: **NIKE, Inc.**, Beaverton, OR (US)

(72) Inventors: **Holly Marie Stinson**, Hillsboro, OR (US); **Colleen Louise Sandieson**, Portland, OR (US)

(73) Assignee: **NIKE, Inc.**, Beaverton, OR (US)

(**) Term: **14 Years**

(21) Appl. No.: **29/483,694**

(22) Filed: **Feb. 28, 2014**

(51) **LOC (10) Cl.** **02-02**

(52) **U.S. Cl.**
USPC **D2/738**

(58) **Field of Classification Search**
USPC D2/712, 731, 738, 742; 2/227, 237, 238
See application file for complete search history.

(56) **References Cited**

U.S. PATENT DOCUMENTS

1,330,996	A	2/1920	Barrow	
1,966,060	A *	7/1934	Cohen	2/404
D98,872	S	3/1936	Lee	
2,299,681	A *	10/1942	Childs	2/404
2,424,720	A	7/1947	Stoehr	
2,494,261	A	1/1950	Owenby	
2,558,099	A	6/1951	Palen	
2,983,924	A *	5/1961	Cohen et al.	2/67
3,134,108	A	5/1964	Terry et al.	
3,945,051	A	3/1976	Burkard	
4,223,408	A	9/1980	Sullivan	
D266,540	S	10/1982	Nacinovich	
4,602,388	A	7/1986	Underwood et al.	
D302,623	S	8/1989	Robinson	
D311,632	S	10/1990	Beam	
5,182,815	A	2/1993	Young	
5,704,071	A	1/1998	Barclay et al.	
D403,487	S	1/1999	Crupi et al.	

D597,281	S	8/2009	Young	
D609,881	S *	2/2010	Chen et al.	D2/742
D615,279	S	5/2010	Savage	
D701,676	S *	4/2014	Savage	D2/738
D705,518	S *	5/2014	Baker	D2/712
2006/0107443	A1 *	5/2006	DeRosa	2/228

OTHER PUBLICATIONS

Physique Bodyware. <http://www.physiquebodywareusa.com/pictureframe.asp?Sku=983>. Date Unknown: Viewed Jun. 2014. "Women's Tempo Running Short".*
FinishLine. <http://www.finishline.com/store/product/women-s-nike-dash-solid-3-inch-running-shorts?productId=prod724725>. Copyright 2014. "Women's Nike Dash Solid 3 Inch Running Shorts".*

(Continued)

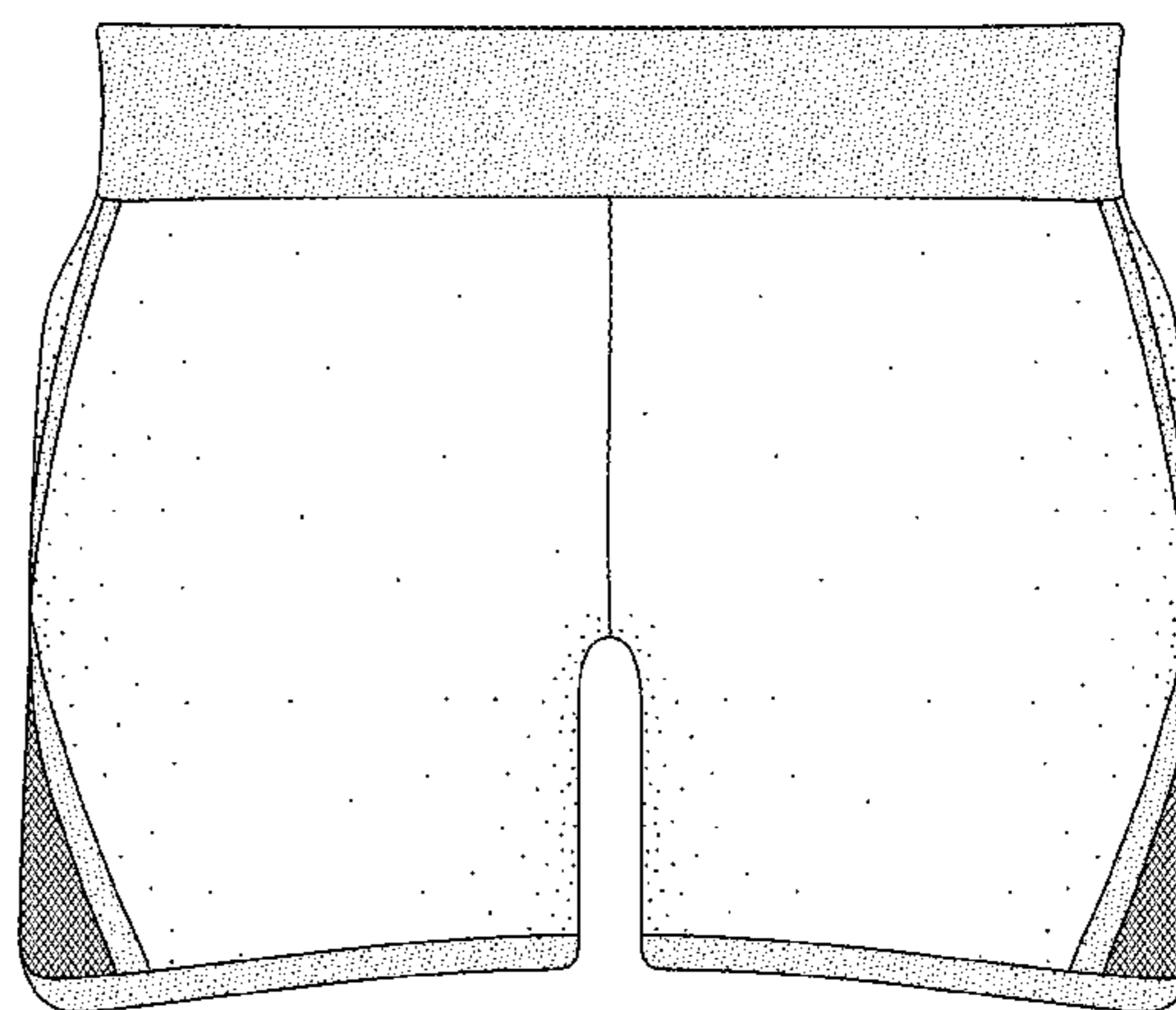
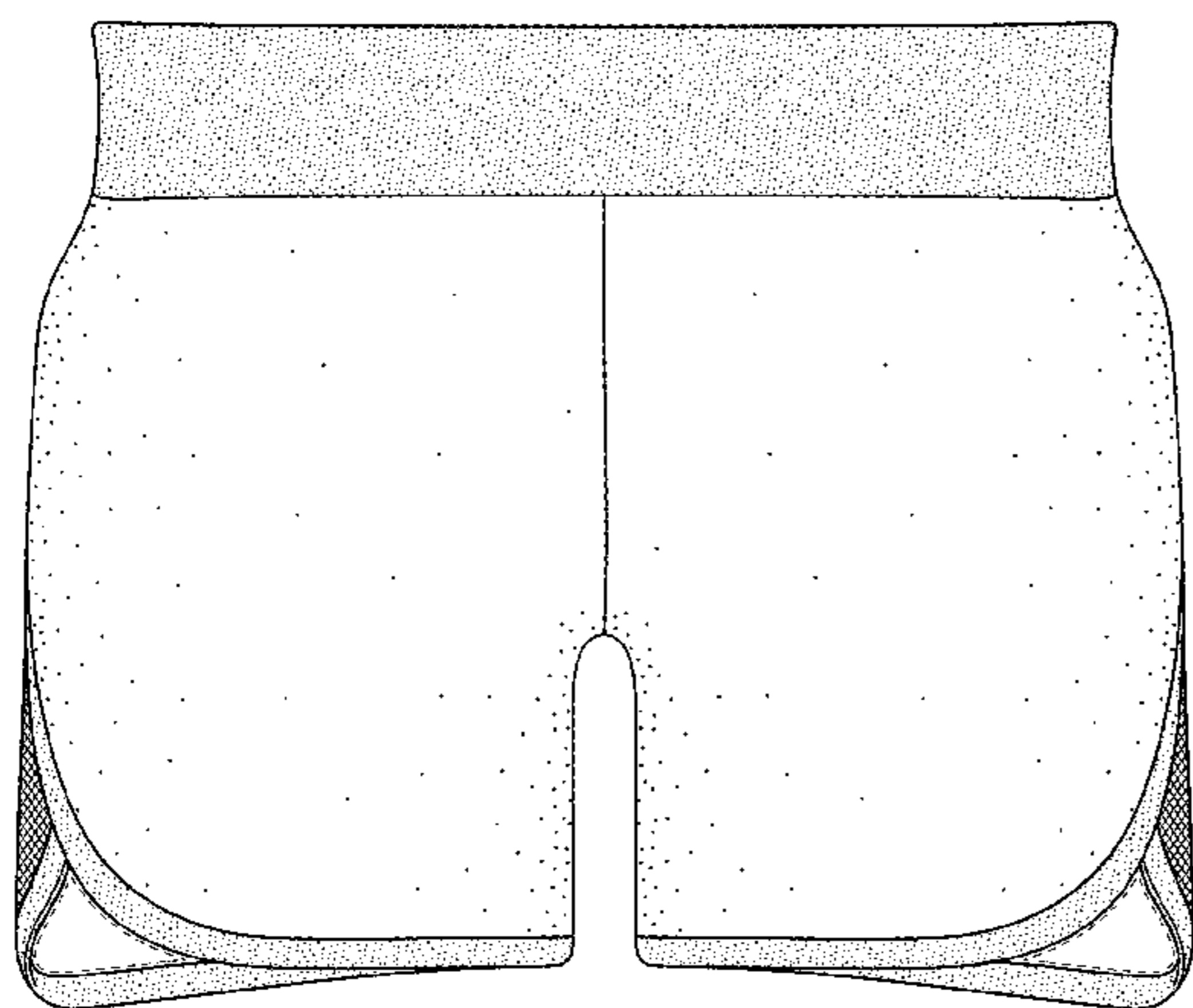
Primary Examiner — Rashida Johnson
(74) *Attorney, Agent, or Firm* — Banner & Witcoff, Ltd.

(57) **CLAIM**
The ornamental design for shorts, as shown and described.

DESCRIPTION

FIG. 1 is a right front perspective view of the shorts showing our new design in an in-use configuration; FIG. 2 is a rear perspective view thereof; FIG. 3 is a front view thereof; FIG. 4 is a rear view thereof; FIG. 5 is a right side view thereof; and, FIG. 6 is a left side view thereof. The broken lines immediately adjacent to the shaded area represent unclaimed boundaries of the design. The unshaded regions of the shorts, demarcated by broken lines, are for environmental purposes only and form no part of the claimed design. The contrast shading represents a contrast in appearance only and does not represent any particular color, material, texture or finish.

1 Claim, 4 Drawing Sheets



(56)

References Cited

OTHER PUBLICATIONS

Polyvore. http://www.polyvore.com/nike_dri-fit_womens_running_shorts/thing?id=12003398. Date Unknown: Viewed Jun. 2014. "Nike Dri-Fit Women's Running Shorts".*

Nike Apparel Catalog, 2010 Fall Apparel, p. 26, published 2009, NIKE, Inc., USA.

Nike Apparel Catalog, 2010 Fall Apparel, p. 19, published 2009, NIKE, Inc., USA.

Nike Apparel Catalog, 2010 Fall Performance Apparel plus Kobe Footwear, p. 149, published 2009, NIKE, Inc., USA.

Nike Apparel Catalog, 2010 Holiday Men's Performance, p. 19, publish date unknown but prior to the filing of present application, NIKE, Inc., USA.

Nike Apparel Catalog, 2010 Holiday Young Athletes, p. 50, publish date unknown but prior to the filing of present application, NIKE, Inc., USA.

Nike Apparel Catalog, 2010 Holiday Women's Performance, p. 22, publish date unknown but prior to the filing of present application, NIKE, Inc., USA.

Nike Apparel Catalog, 2010 Summer Kids, p. 37, published Aug. 2009, NIKE, Inc., USA.

Nike Apparel Catalog, 2010 Summer Kids, p. 40, published Aug. 2009, NIKE, Inc., USA.

Gear Review: Under Armour Running Shorts. Pop Sugar. [Online] Publish date May 14, 2010. [retrieved from the Internet on May 20, 2014] <URL: : <<http://www.fitsugar.com/Review-Under-Armour-UA-Escape-3-Running-Shorts-8367724>>, 3 pages.

* cited by examiner

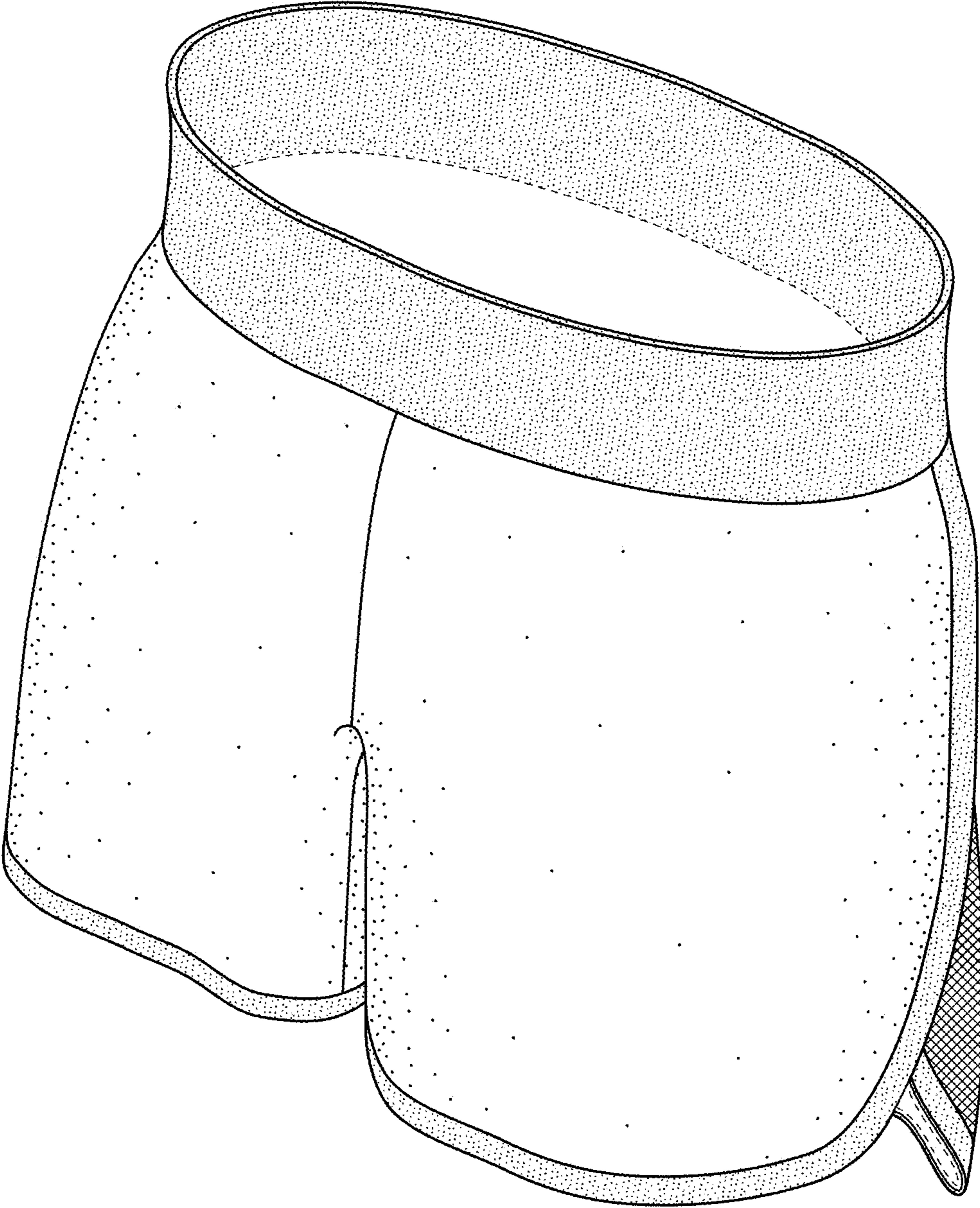


FIG. 1

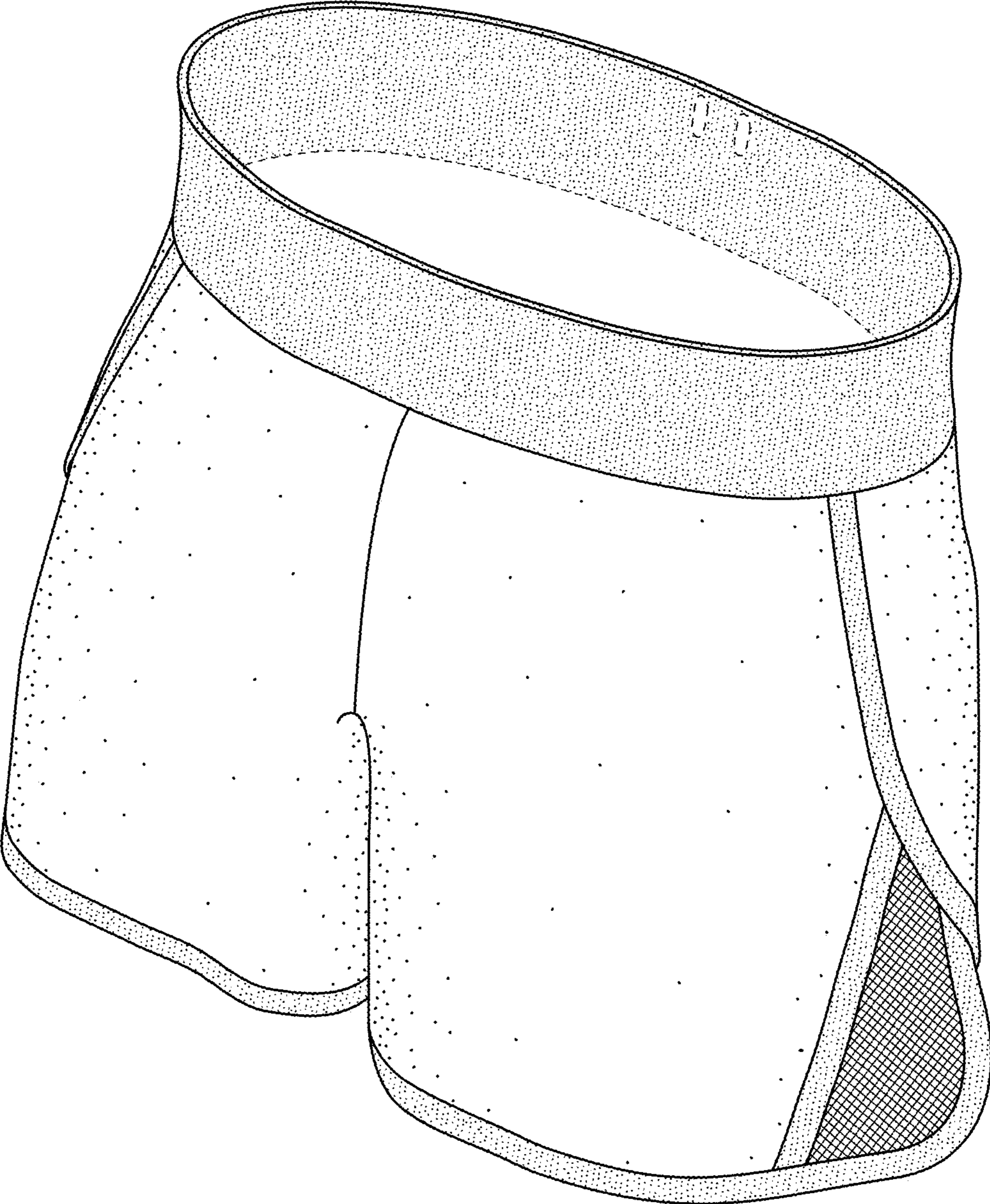


FIG. 2

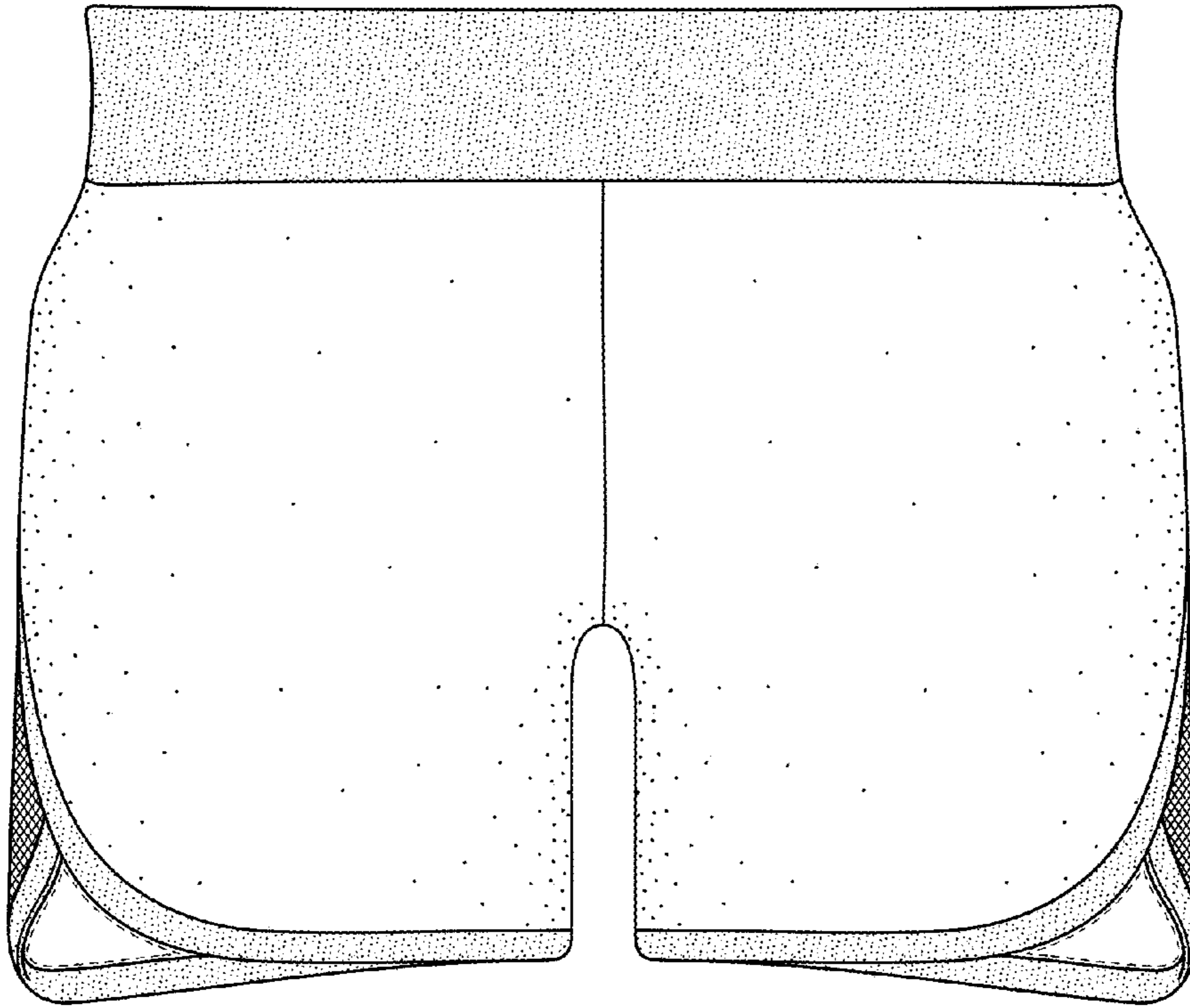


FIG. 3

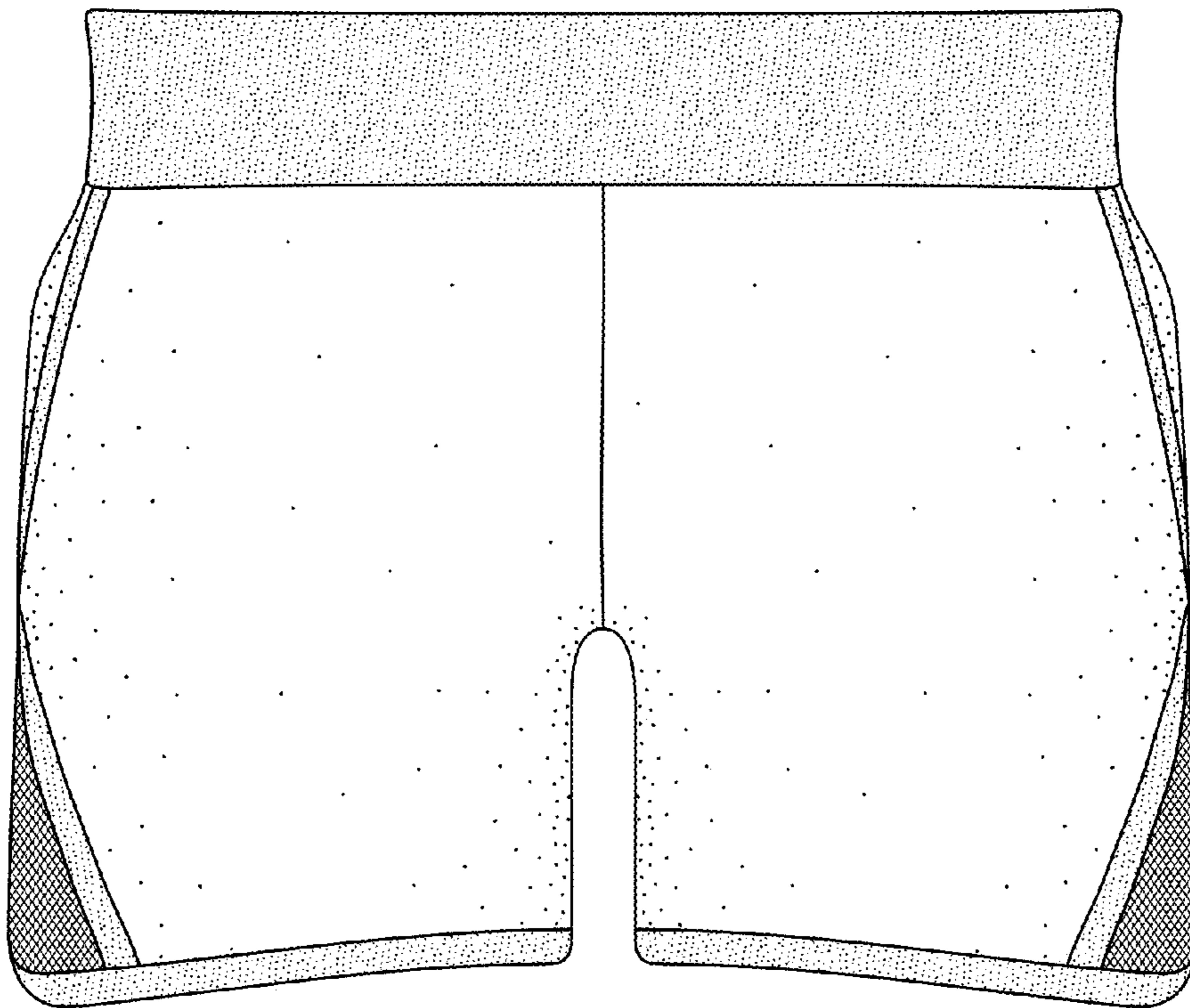


FIG. 4

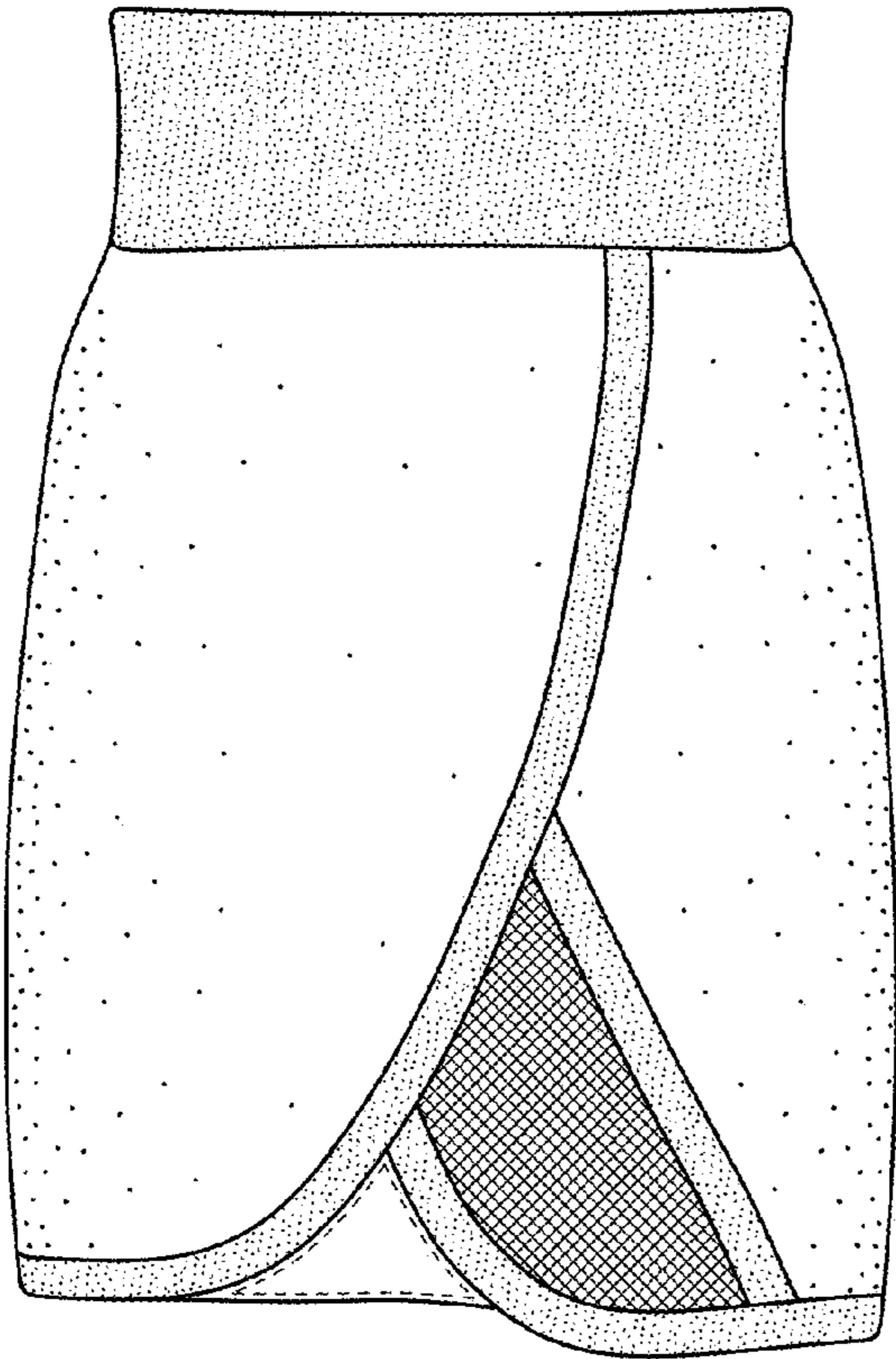


FIG. 5

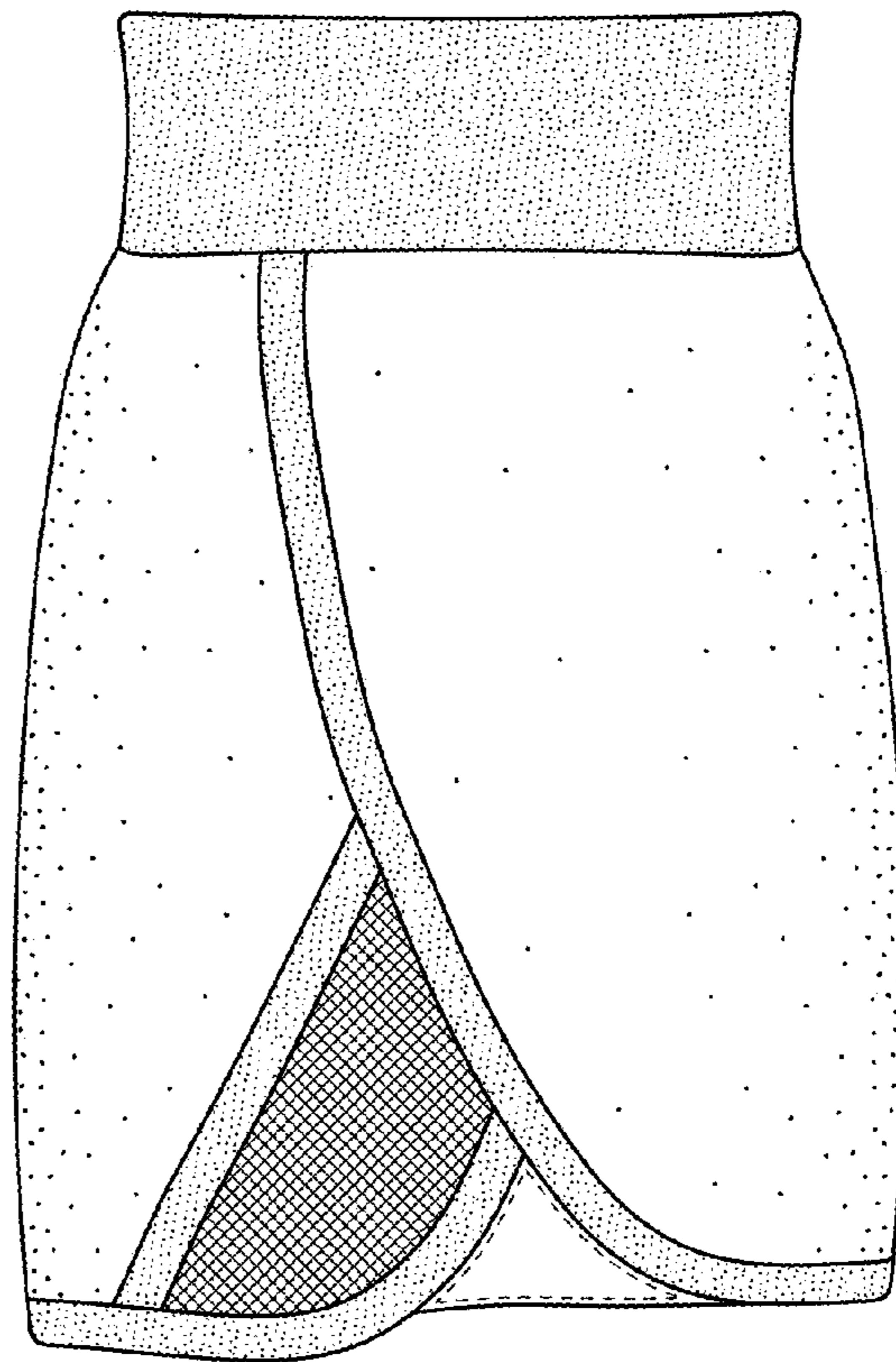


FIG. 6