



US00D714521S

(12) **United States Design Patent**  
**Rogers et al.**

(10) **Patent No.:** **US D714,521 S**  
(45) **Date of Patent:** **\*\* Oct. 7, 2014**

- (54) **ROOT VEGETABLE PRODUCT**
- (71) Applicant: **McCain Foods Limited**,  
Florenceville-Bristol (CA)
- (72) Inventors: **David M. Rogers**, Woodstock (CA);  
**John Aikens**, New Maryland (CA)
- (73) Assignee: **McCain Foods Limited**,  
Florenceville-Bristol (CA)
- (\*\*) Term: **14 Years**
- (21) Appl. No.: **29/456,295**
- (22) Filed: **May 30, 2013**
- (51) **LOC (10) Cl.** ..... **01-01**
- (52) **U.S. Cl.**  
USPC ..... **D1/199; D1/122**
- (58) **Field of Classification Search**  
USPC ..... D1/100-130, 199; 426/92, 94, 95, 99,  
426/101, 138, 139, 143, 275, 132, 279,  
426/282-283, 391, 514; D7/504, 509, 510,  
D7/523, 524, 555, 566, 568, 584-587, 602,  
D7/672, 300.1; 249/92; D11/146, 151,  
D11/154; D9/544, 682, 694; D21/386;  
D25/119, 121; D12/223, 162; D8/356;  
D19/91; D23/267  
See application file for complete search history.

D278,199 S *	4/1985	Richards	.....	D7/504
D316,622 S *	5/1991	Popiel	.....	D1/122
D324,603 S *	3/1992	Cope et al.	.....	D1/122
D339,899 S *	10/1993	Kittleson	.....	D1/122
5,993,871 A *	11/1999	Beehler	.....	426/138
D558,951 S *	1/2008	Proffitt	.....	D1/122
D577,176 S *	9/2008	Young et al.	.....	D1/128
D581,627 S *	12/2008	Young et al.	.....	
D590,126 S *	4/2009	Kovich et al.	.....	D1/122
D634,098 S *	3/2011	Gillig	.....	D1/122
D634,099 S *	3/2011	Gillig	.....	D1/122
D668,507 S *	10/2012	Williamson	.....	D7/504
D679,476 S *	4/2013	Barber et al.	.....	D1/125

\* cited by examiner

*Primary Examiner* — Deanna L Pratt  
*Assistant Examiner* — Katie Mroczka

(74) *Attorney, Agent, or Firm* — Panitch Schwarze Belisario  
& Nadel LLP

(57) **CLAIM**

The ornamental design for a root vegetable product, as shown and described.

**DESCRIPTION**

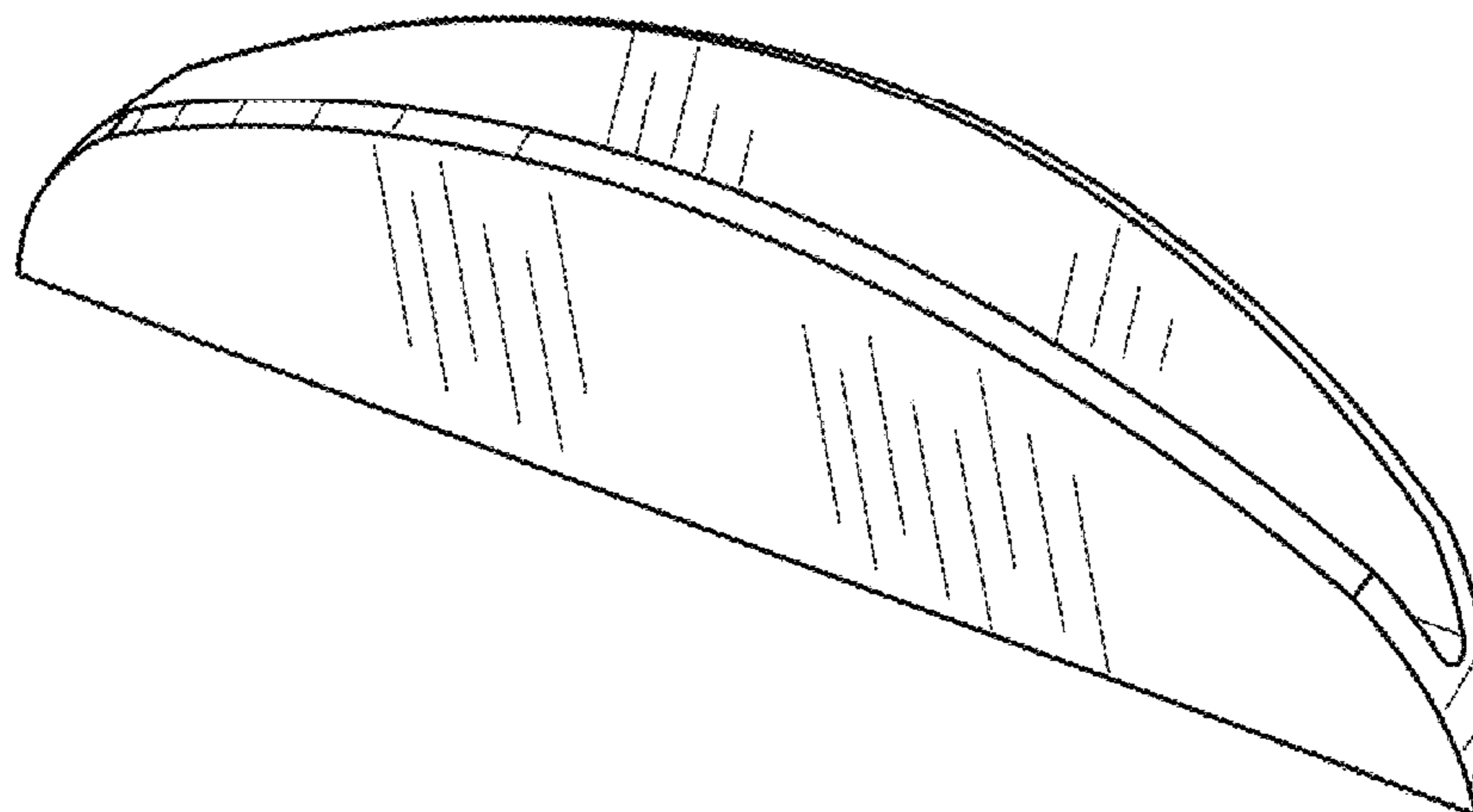
FIG. 1 is a front perspective view of a root vegetable product in accordance with a first preferred embodiment of our new design;  
FIG. 2 is a left side elevational view thereof;  
FIG. 3 is a front elevational view thereof;  
FIG. 4 is a right side elevational view thereof;  
FIG. 5 is a rear elevational view thereof;  
FIG. 6 is a top plan view thereof; and,  
FIG. 7 is a bottom view thereof.

(56) **References Cited**

U.S. PATENT DOCUMENTS

D259,670 S *	6/1981	de Leon	.....	D1/122
D277,234 S *	1/1985	Bank	.....	D1/122

**1 Claim, 2 Drawing Sheets**



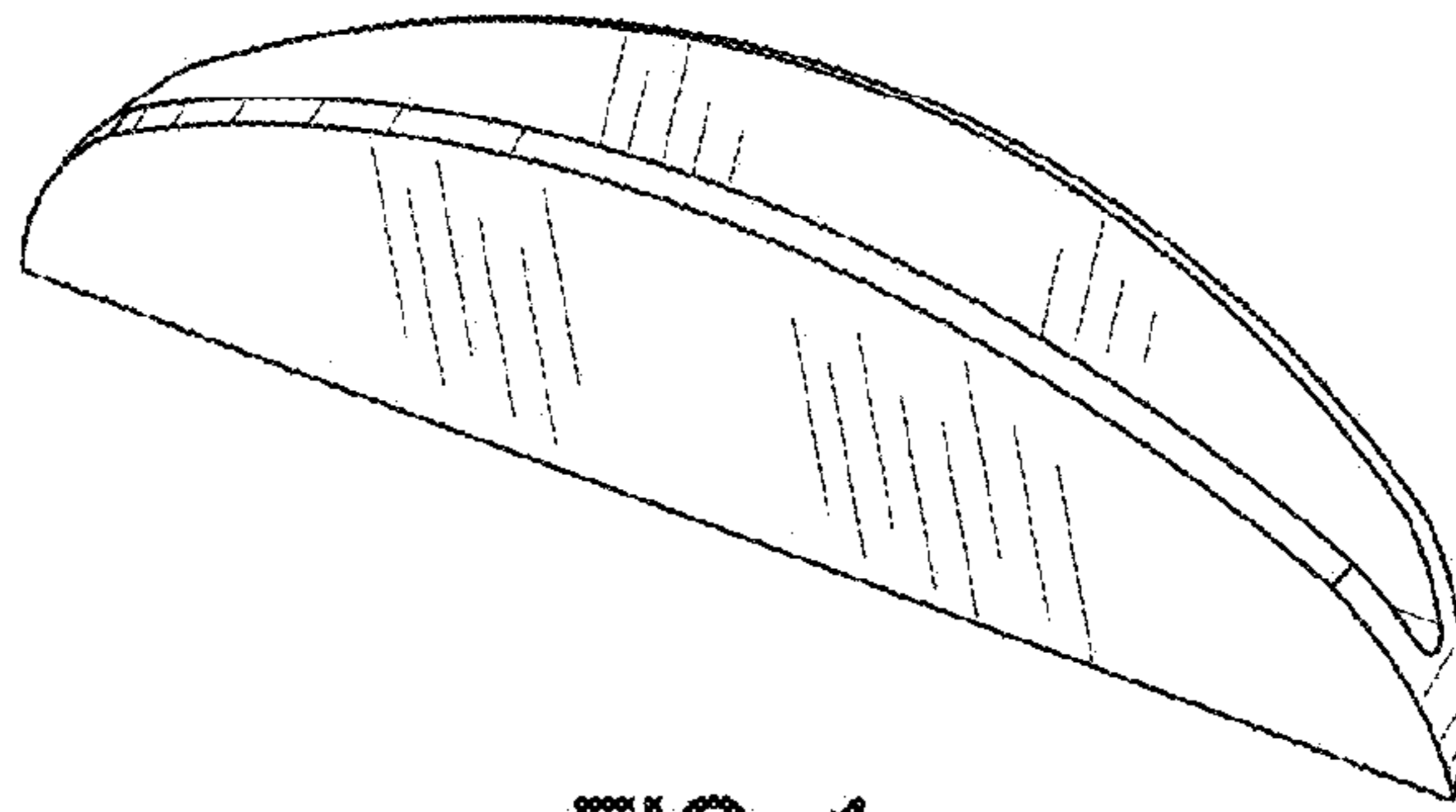


FIG. 1

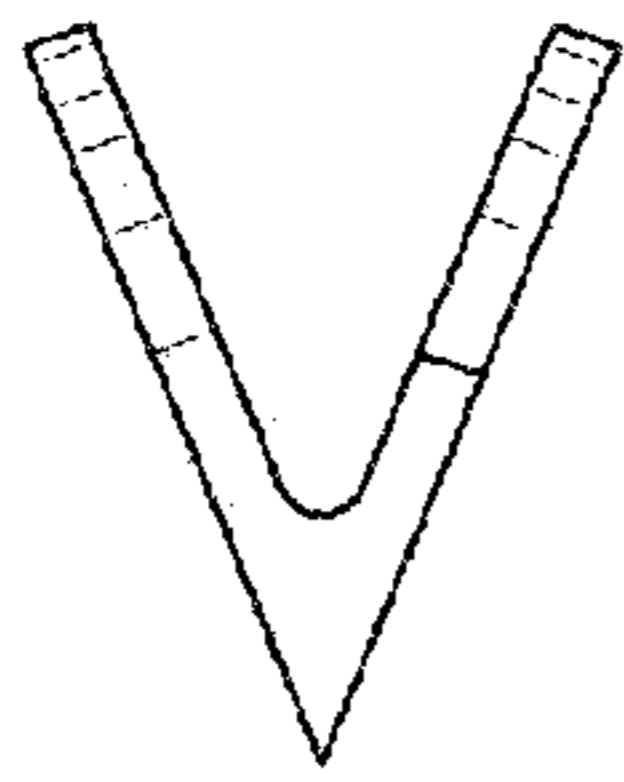


FIG. 2

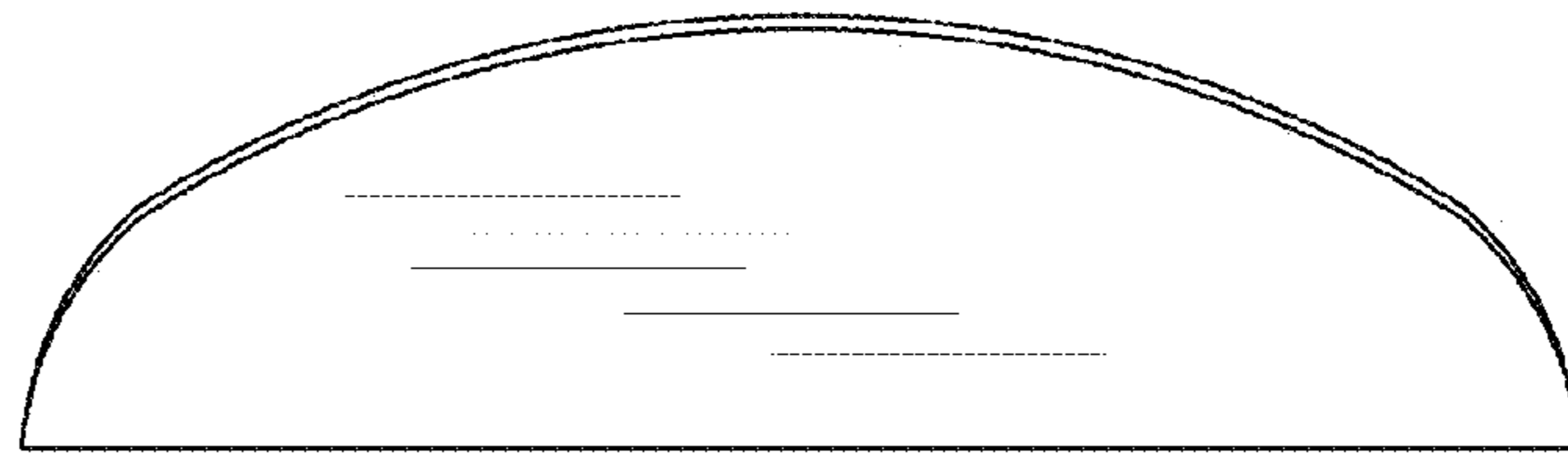


FIG. 3

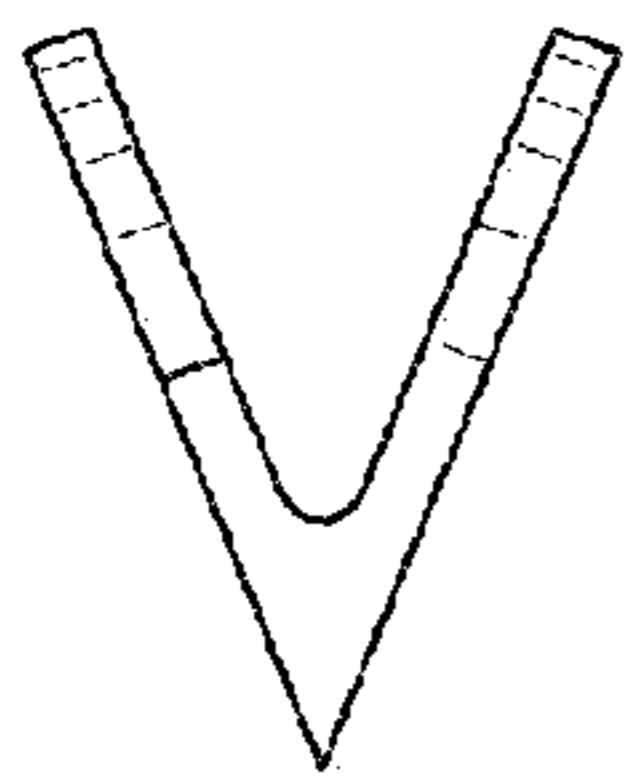


FIG. 4

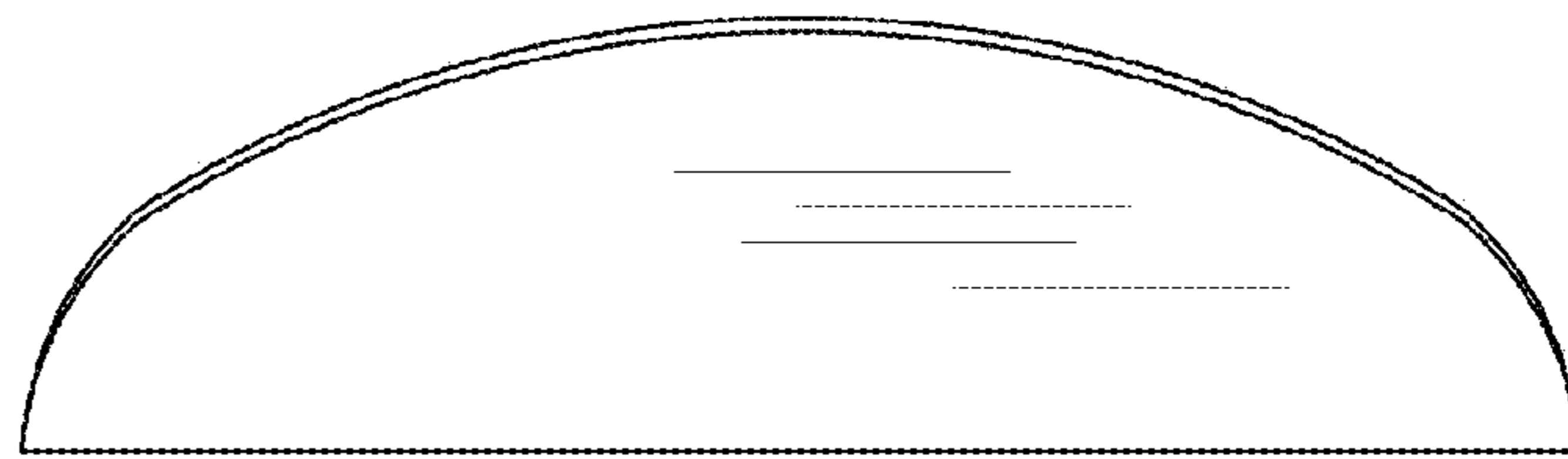
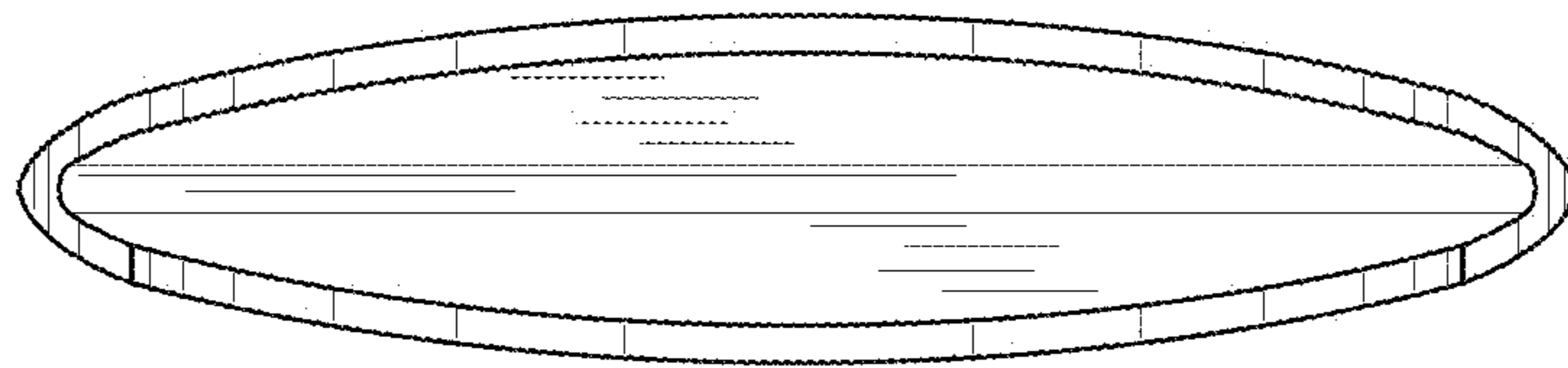
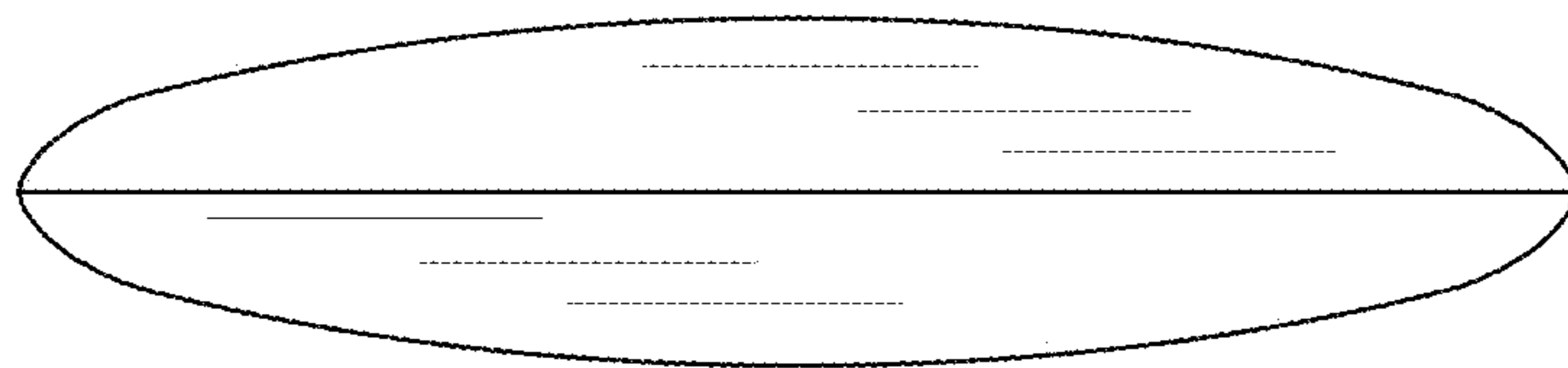


FIG. 5



**FIG. 6**



**FIG. 7**