



US00D714515S

(12) **United States Design Patent**
Measom et al.

(10) **Patent No.:** **US D714,515 S**

(45) **Date of Patent:** **** *Sep. 30, 2014**

(54) **SAFE HANDLE**

(71) Applicants: **Ty Measom**, Logan, UT (US); **Brett Bennett**, Mantua, UT (US)

(72) Inventors: **Ty Measom**, Logan, UT (US); **Brett Bennett**, Mantua, UT (US)

(73) Assignee: **Peak Trades LLC**, Hyde Park, UT (US)

(*) Notice: This patent is subject to a terminal disclaimer.

(**) Term: **14 Years**

(21) Appl. No.: **29/461,838**

(22) Filed: **Jul. 29, 2013**

(51) **LOC (10) Cl.** **99-00**

(52) **U.S. Cl.**

USPC **D99/43**

(58) **Field of Classification Search**

USPC D99/28, 34, 35, 36, 43, 99; D8/300, D8/301, 302, 303, 307, 315, 321, 330, 331, D8/343; 70/278.7, 279.1, 278.1, 284, 285, 70/286; 109/1 R, 1 V, 2, 59 R

See application file for complete search history.

(56) **References Cited**

U.S. PATENT DOCUMENTS

D294,764 S * 3/1988 Fincke D99/43
5,033,282 A * 7/1991 Gartner et al. 70/278.7
D354,922 S * 1/1995 Gartner D10/106.95
D388,309 S * 12/1997 Hamilton et al. D8/330
5,841,361 A * 11/1998 Hoffman 340/5.54

6,016,677 A * 1/2000 Clark 70/416
D479,032 S * 8/2003 Mitchell D99/43
D485,041 S * 1/2004 Paris et al. D99/28
D498,895 S * 11/2004 Lynch et al. D99/28
D505,530 S * 5/2005 Nelson et al. D99/43
D512,195 S * 11/2005 Gartner D99/43
D512,898 S * 12/2005 Metivier et al. D8/330
D519,260 S * 4/2006 Valentine D99/43
D692,205 S * 10/2013 Muir D99/43
D693,985 S * 11/2013 Crosby D99/43
D694,485 S * 11/2013 Crosby D99/43

* cited by examiner

Primary Examiner — Elizabeth J Oswecki

(74) *Attorney, Agent, or Firm* — Project CIP; Preston P. Frischknecht

(57) **CLAIM**

The ornamental design for a safe handle, as shown and described.

DESCRIPTION

FIG. 1 is an isometric view of a safe handle showing our new design;

FIG. 2 is a front isometric view thereof;

FIG. 3 is a back isometric view thereof;

FIG. 4 is a front view thereof;

FIG. 5 is a back view thereof;

FIG. 6 is a right side view thereof;

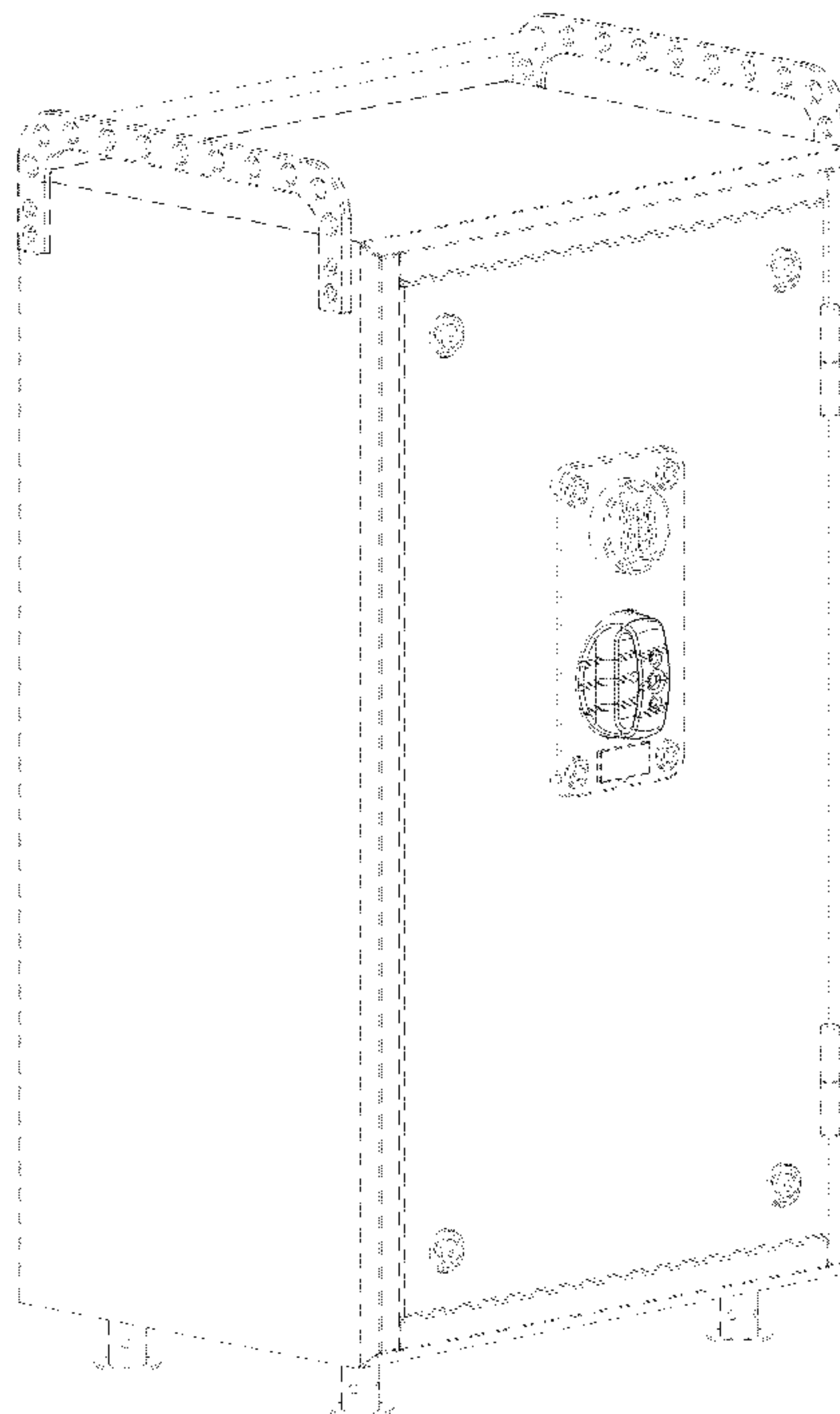
FIG. 7 is a left side view thereof;

FIG. 8 is a top view thereof; and,

FIG. 9 is a bottom view thereof.

The broken lines shown in the drawings represent portions of the safe handle that form no part of the claimed design.

1 Claim, 7 Drawing Sheets



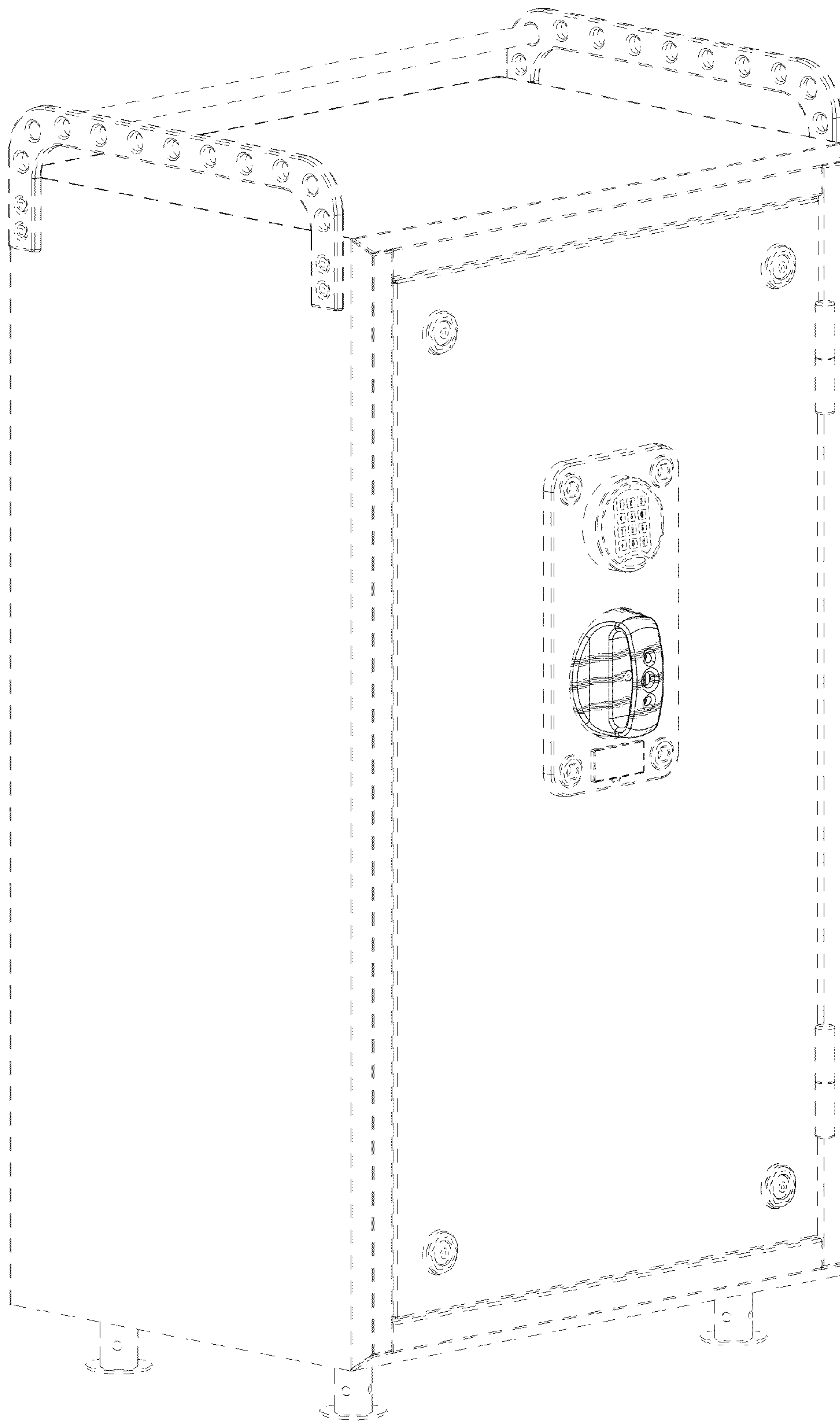


Fig. 1

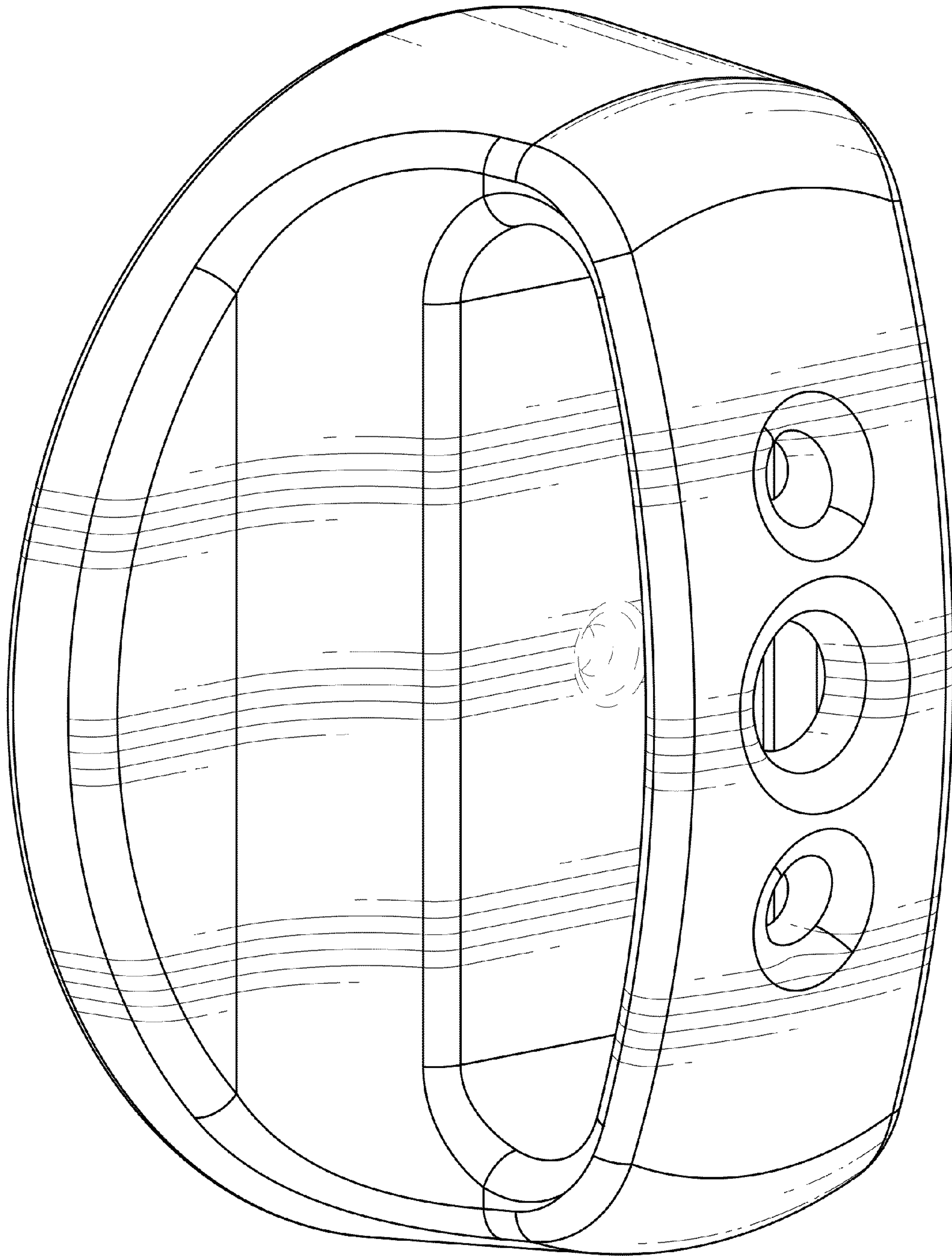


Fig. 2

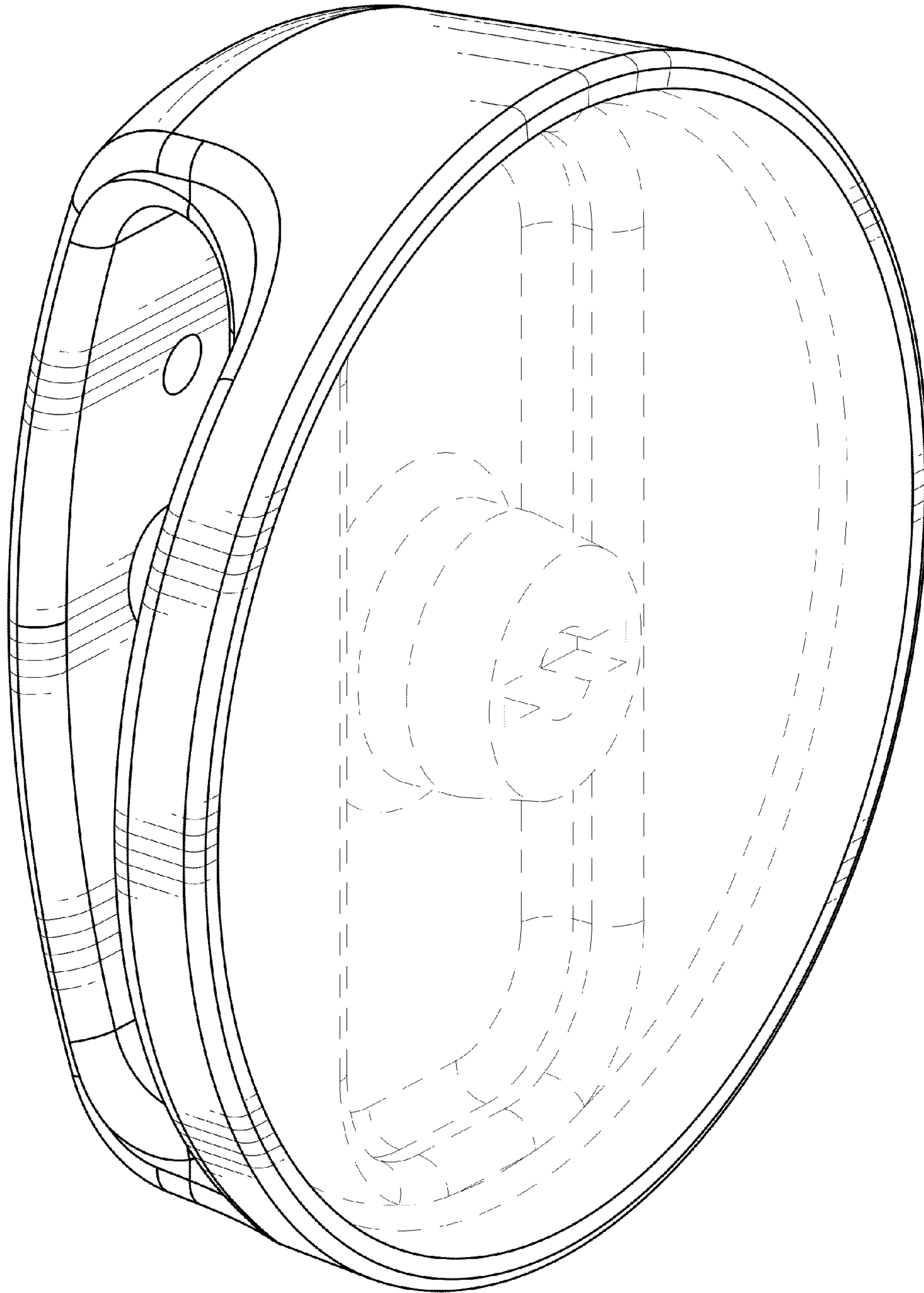


Fig. 3

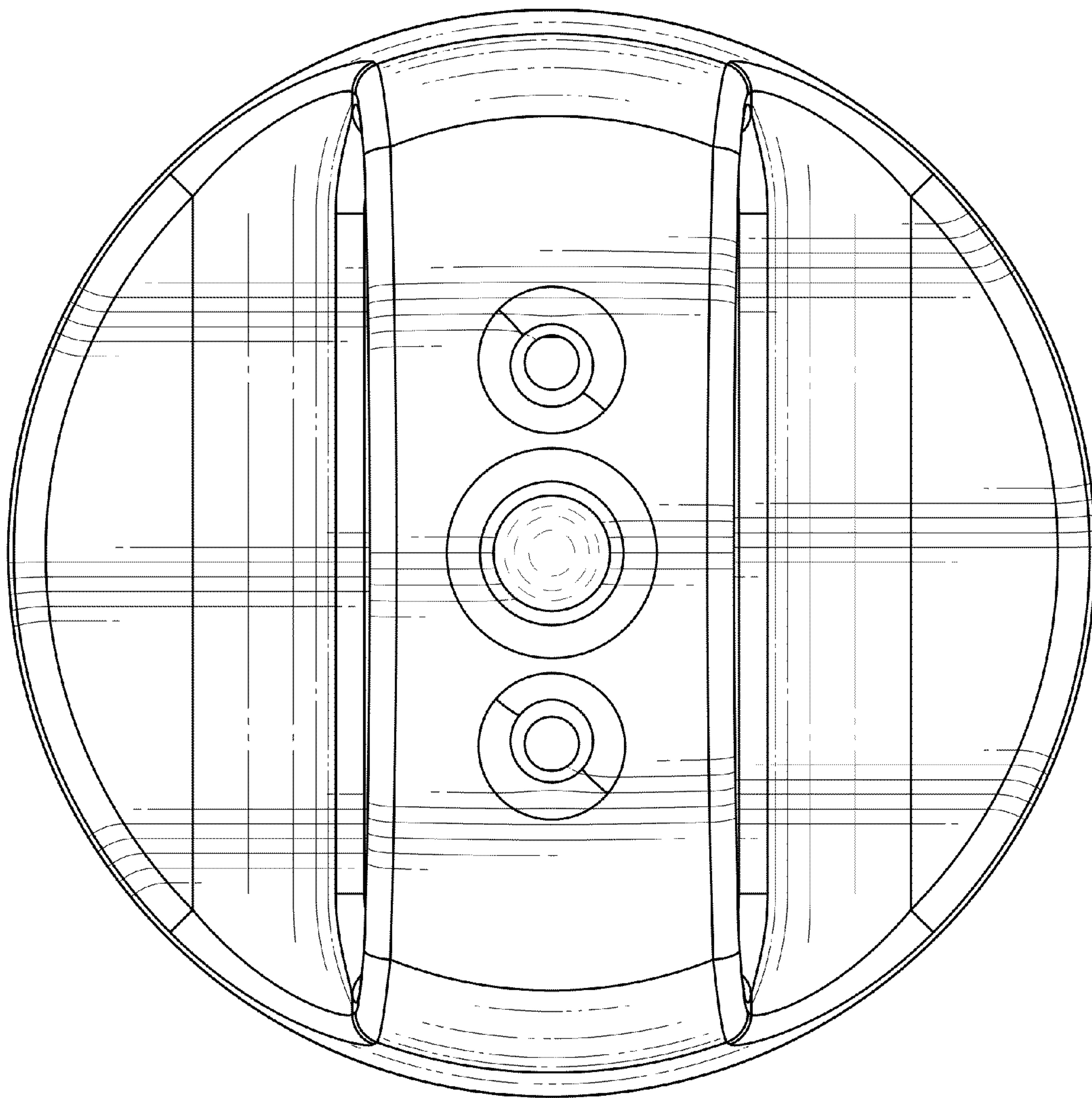


Fig. 4

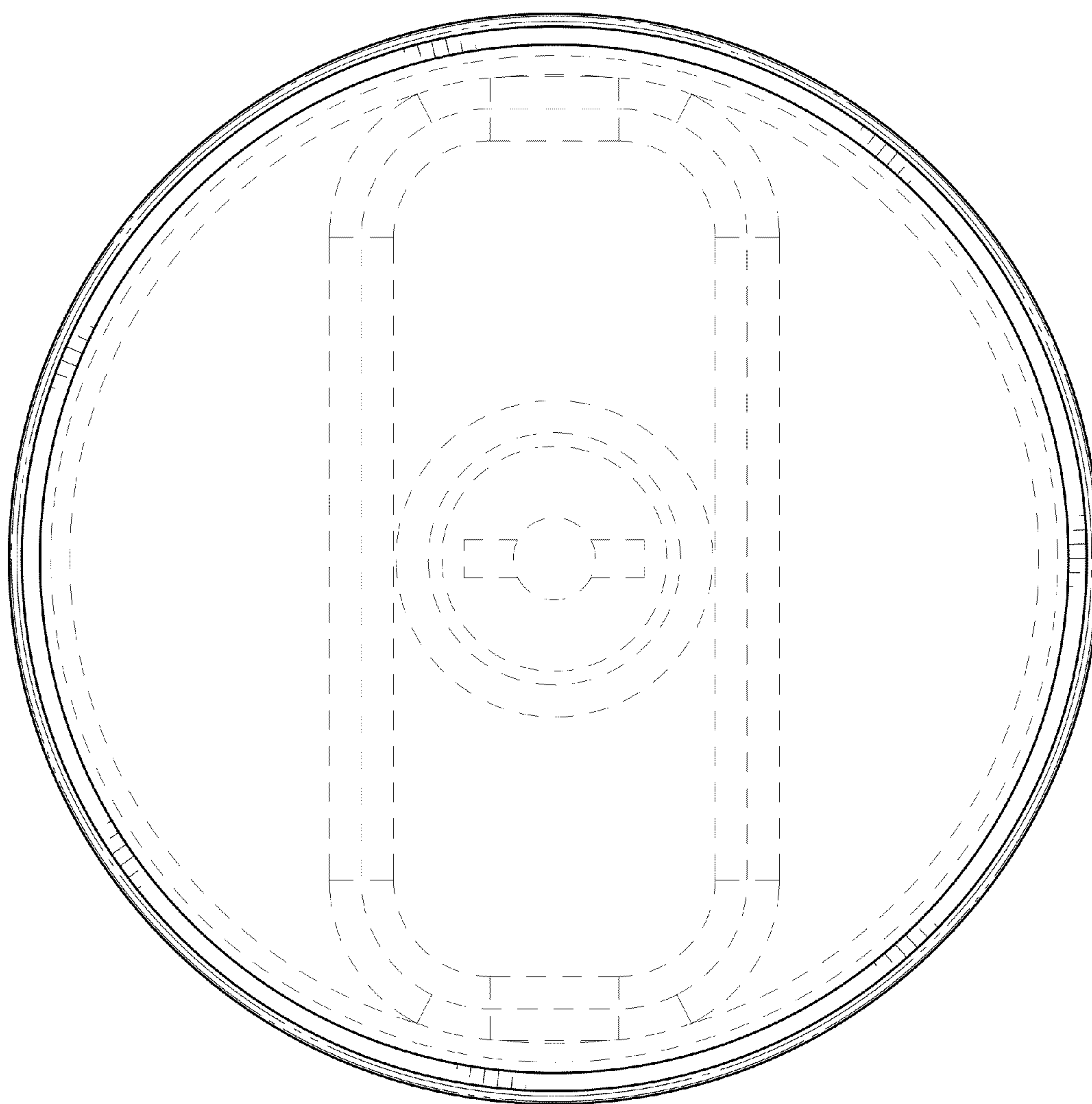


Fig. 5

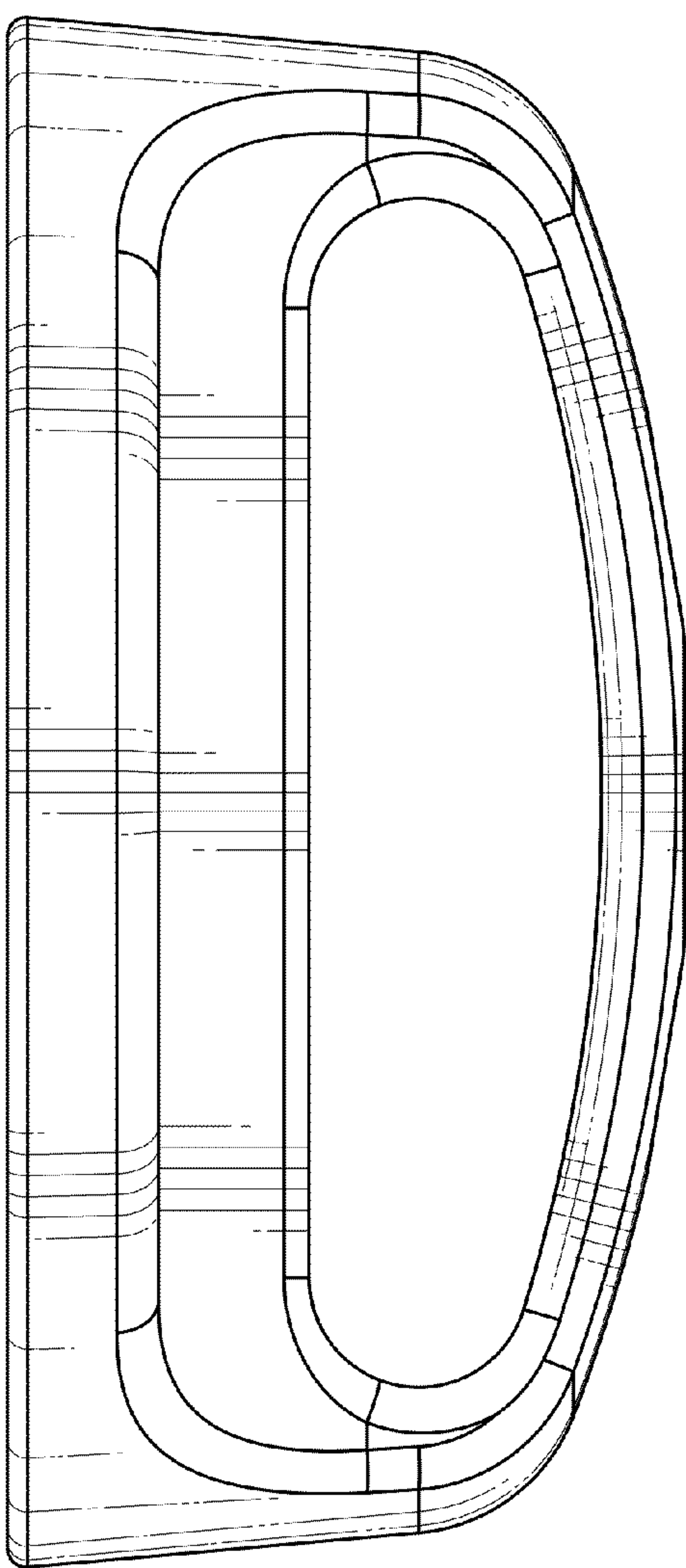


Fig. 6

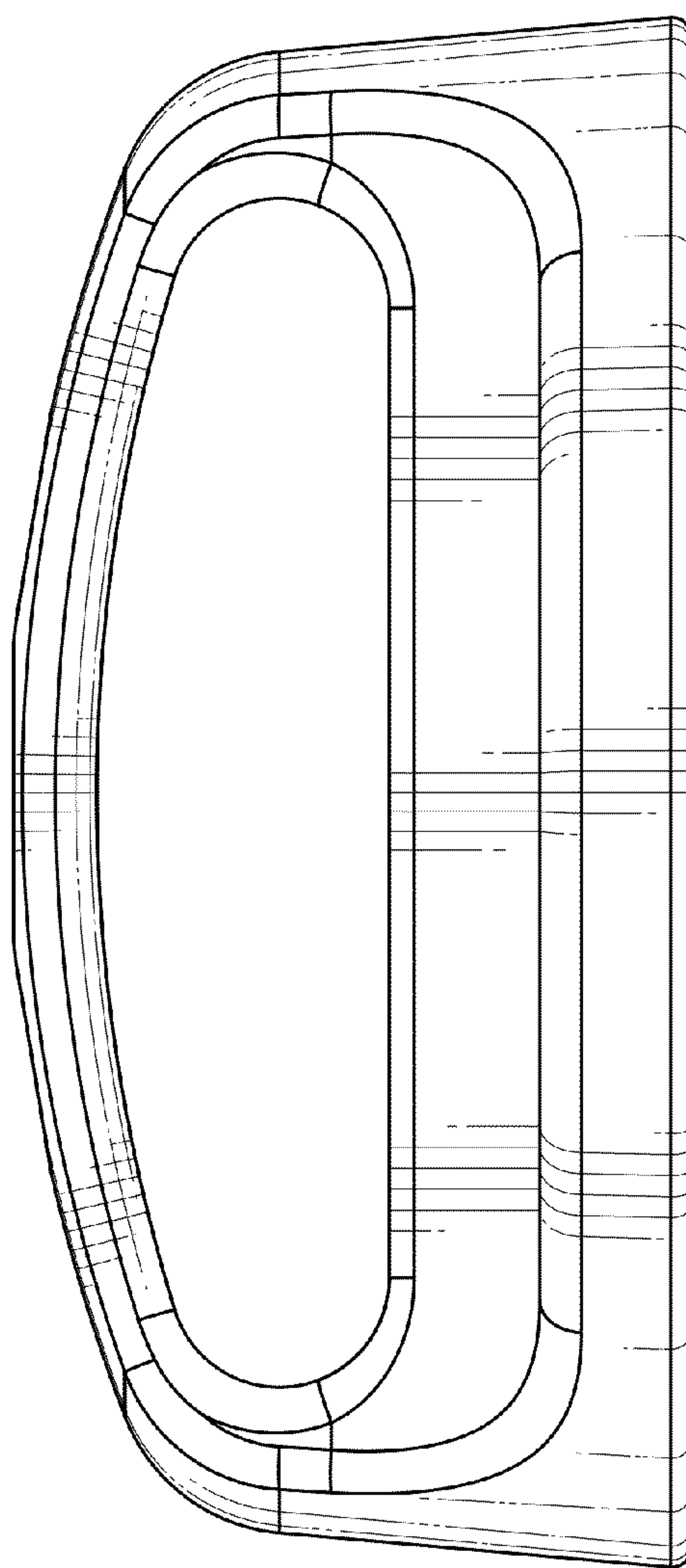


Fig. 7

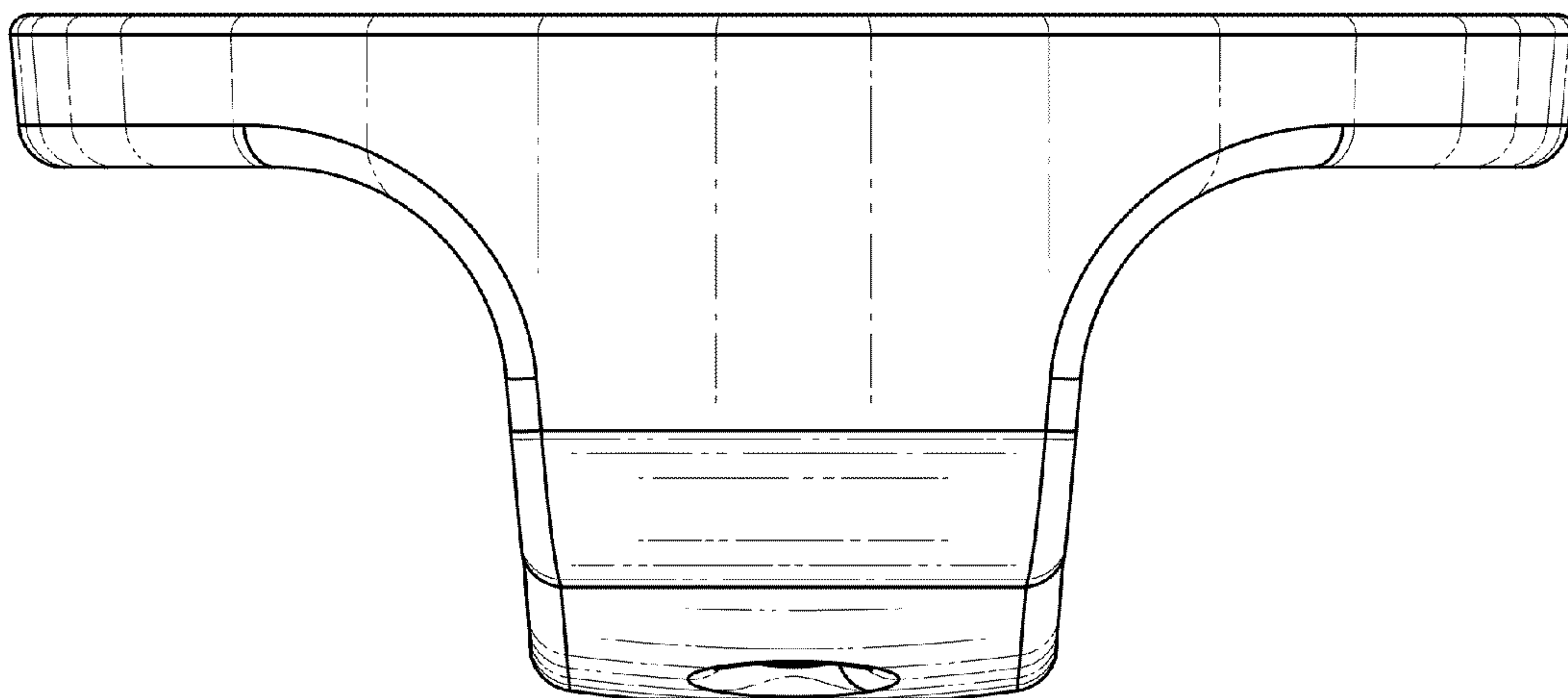


Fig. 8

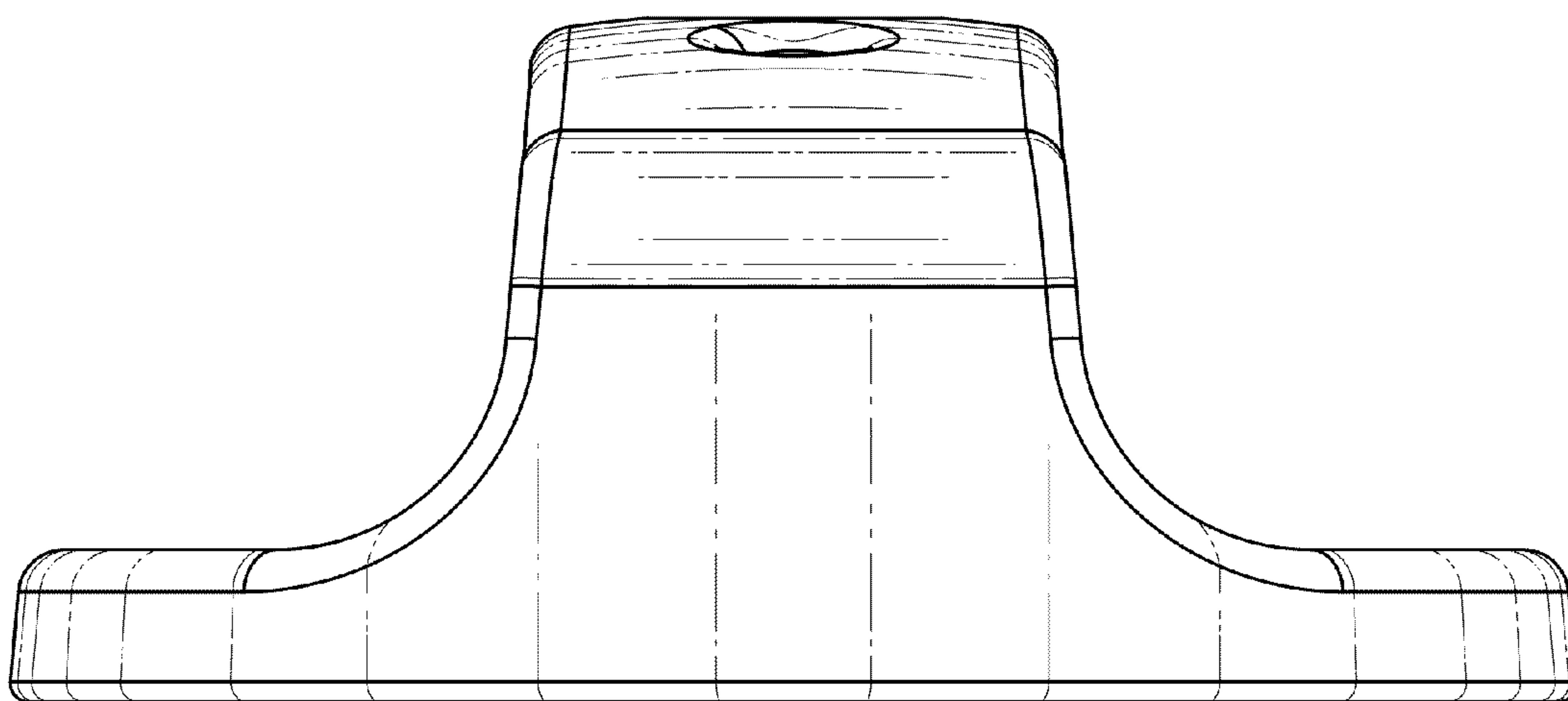


Fig. 9