



US00D714513S

(12) **United States Design Patent**  
**Scott**

(10) **Patent No.:** **US D714,513 S**

(45) **Date of Patent:** **\*\* Sep. 30, 2014**

(54) **DIVERSION SAFE**

(71) Applicant: **Brandon William Scott**, Providence  
Village, TX (US)

(72) Inventor: **Brandon William Scott**, Providence  
Village, TX (US)

(\*\*) Term: **14 Years**

(21) Appl. No.: **29/468,870**

(22) Filed: **Oct. 3, 2013**

(51) **LOC (10) Cl.** ..... **99-00**

(52) **U.S. Cl.**  
USPC ..... **D99/28**

(58) **Field of Classification Search**

USPC ..... D99/28, 34, 35, 36, 43, 99; 109/1 R, 1 V,  
109/2, 45, 49.5, 52, 58, 59 R, 78; 206/0.8,  
206/0.81, 0.815, 0.82, 317, 527; 902/9  
See application file for complete search history.

(56) **References Cited**

**U.S. PATENT DOCUMENTS**

|           |     |         |              |       |         |
|-----------|-----|---------|--------------|-------|---------|
| 928,483   | A * | 7/1909  | Wakeman      | ..... | 292/144 |
| 1,460,716 | A * | 7/1923  | Greer        | ..... | 232/4 R |
| 1,781,920 | A * | 11/1930 | Fisher       | ..... | 232/4 R |
| 1,913,232 | A * | 6/1933  | Dalton       | ..... | 232/4 R |
| 2,755,748 | A * | 7/1956  | Abell, Jr.   | ..... | 109/52  |
| D281,920  | S * | 12/1985 | Lacka        | ..... | D99/28  |
| D297,195  | S * | 8/1988  | Warwicker    | ..... | D6/559  |
| D350,002  | S * | 8/1994  | Viola        | ..... | D99/28  |
| D376,691  | S * | 12/1996 | Naas et al.  | ..... | D3/294  |
| D386,307  | S * | 11/1997 | Naas et al.  | ..... | D3/294  |
| D459,857  | S * | 7/2002  | Stoneberg    | ..... | D99/28  |
| D541,045  | S * | 4/2007  | Peart et al. | ..... | D3/291  |

|              |      |         |                |       |         |
|--------------|------|---------|----------------|-------|---------|
| D542,529     | S *  | 5/2007  | Peart et al.   | ..... | D3/276  |
| D558,977     | S *  | 1/2008  | Peart et al.   | ..... | D3/294  |
| D560,875     | S *  | 1/2008  | Decarlo et al. | ..... | D99/28  |
| D561,994     | S *  | 2/2008  | Peart et al.   | ..... | D3/291  |
| D569,073     | S *  | 5/2008  | Osiecki et al. | ..... | D99/28  |
| D571,524     | S *  | 6/2008  | Kang et al.    | ..... | D99/28  |
| D572,425     | S *  | 7/2008  | Themistos      | ..... | D99/28  |
| D579,174     | S *  | 10/2008 | Decarlo et al. | ..... | D99/28  |
| D617,974     | S *  | 6/2010  | Alfeld, Sr.    | ..... | D99/28  |
| D621,125     | S *  | 8/2010  | Heintzelman    | ..... | D99/28  |
| D624,275     | S *  | 9/2010  | Min            | ..... | D99/28  |
| D635,324     | S *  | 3/2011  | Plato          | ..... | D99/28  |
| D651,785     | S *  | 1/2012  | Martin et al.  | ..... | D99/28  |
| D667,195     | S *  | 9/2012  | Guo            | ..... | D99/28  |
| D669,245     | S *  | 10/2012 | Skinner        | ..... | D99/28  |
| D671,705     | S *  | 11/2012 | Edmondson      | ..... | D99/28  |
| D688,024     | S *  | 8/2013  | Metlen et al.  | ..... | D99/28  |
| 2006/0108252 | A1 * | 5/2006  | Lax            | ..... | 206/470 |

\* cited by examiner

*Primary Examiner* — Elizabeth J Oswecki

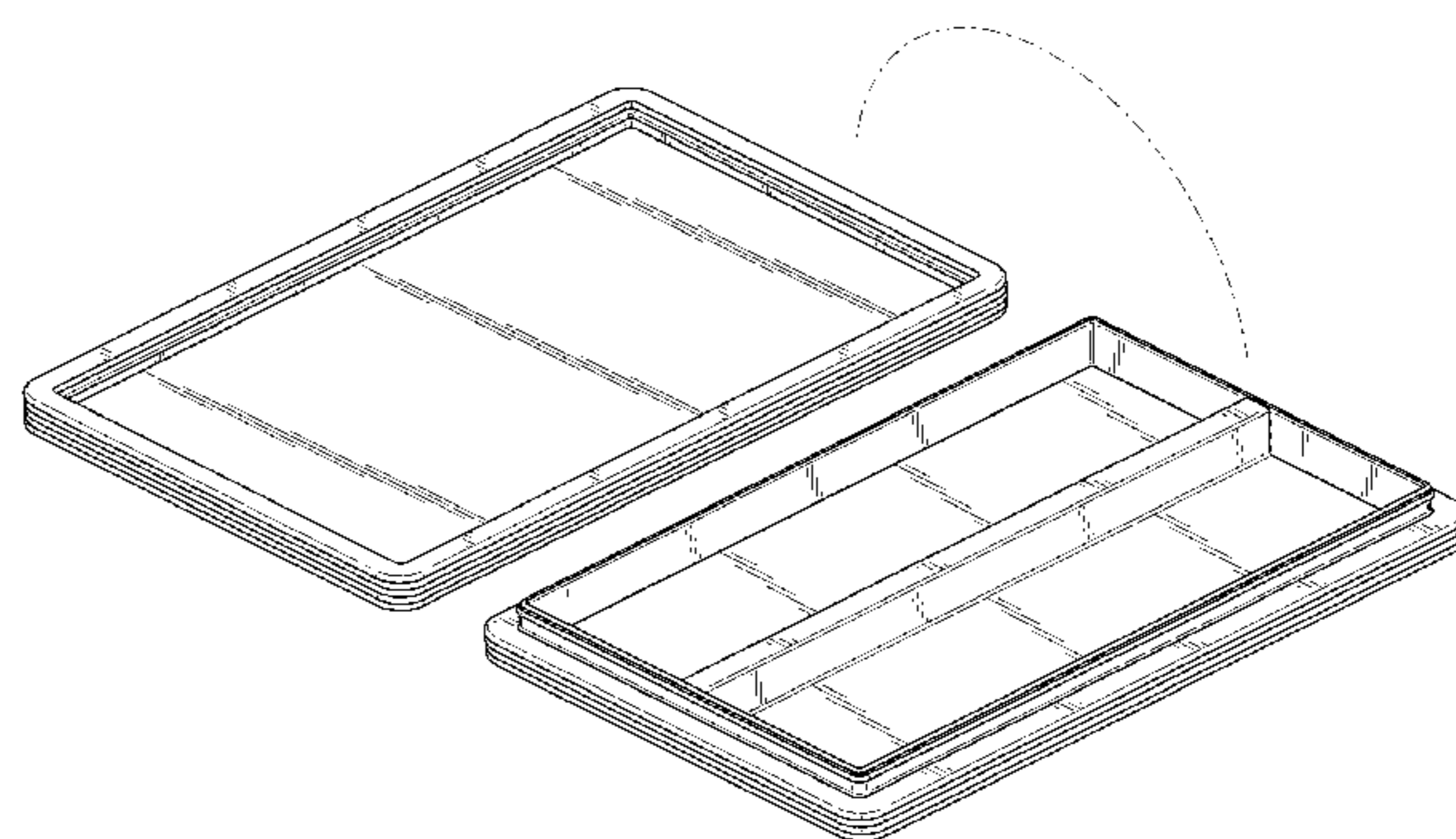
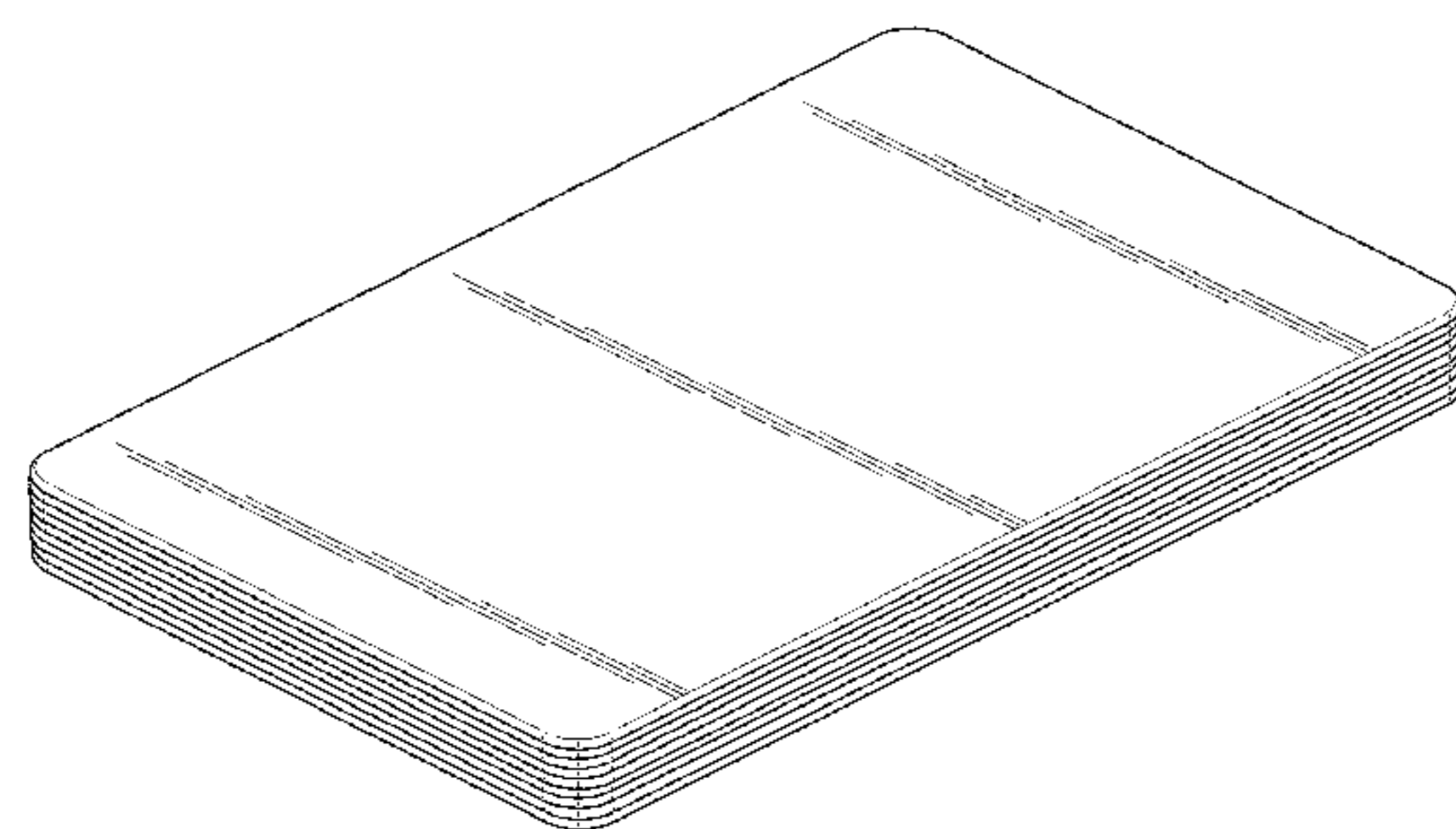
(57) **CLAIM**

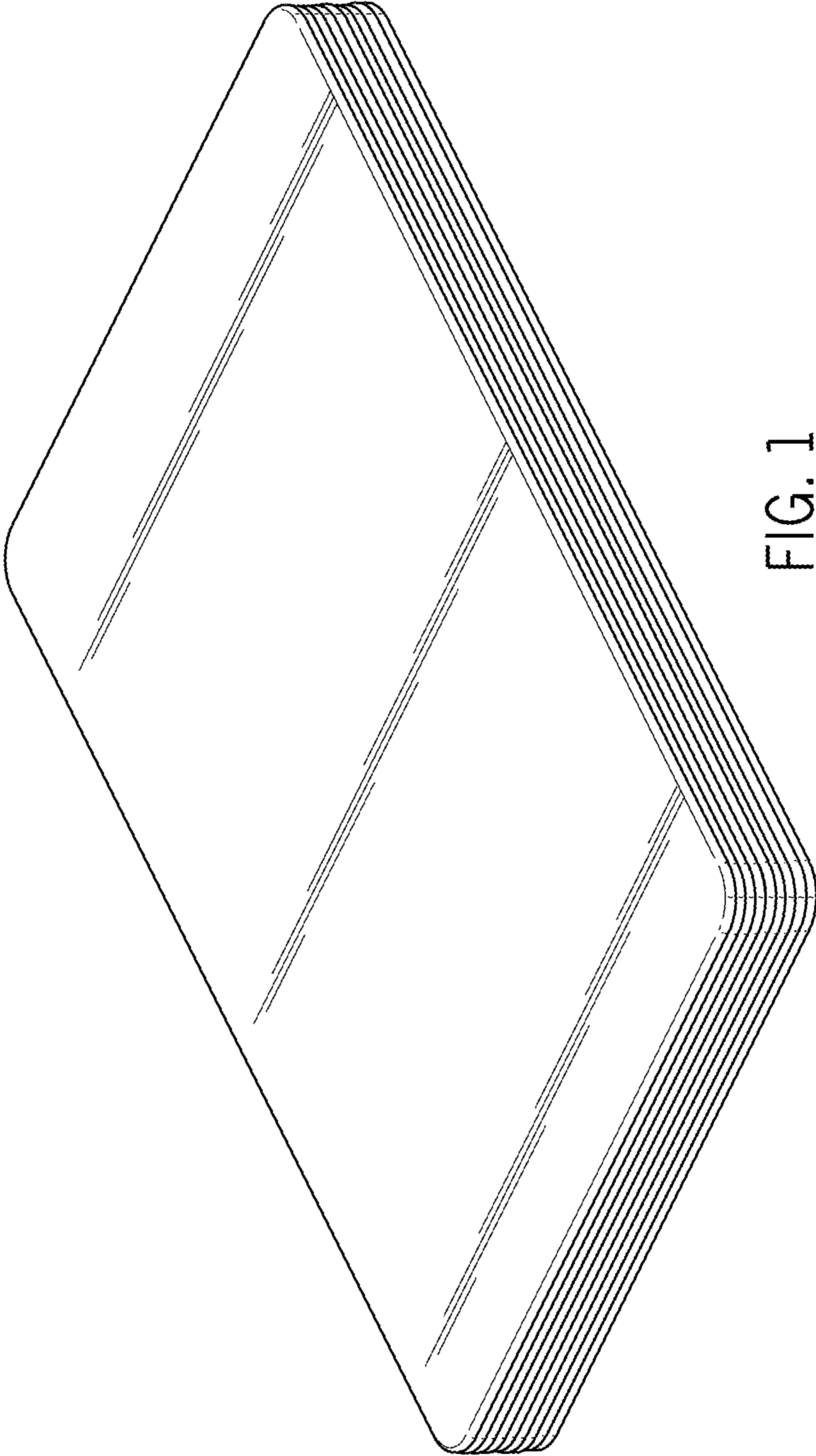
The ornamental design for a diversion safe, as shown and described.

**DESCRIPTION**

FIG. 1 is a front, perspective view of a diversion safe showing my new design;  
FIG. 2 is a front elevation view of the diversion safe; the rear elevation view being a mirror image thereof;  
FIG. 3 is a left side view of the diversion safe; the right side view being a mirror image thereof;  
FIG. 4 is a top plan view of the diversion safe; the bottom view being a mirror image thereof; and,  
FIG. 5 is an exploded perspective view of the diversion safe.

**1 Claim, 4 Drawing Sheets**





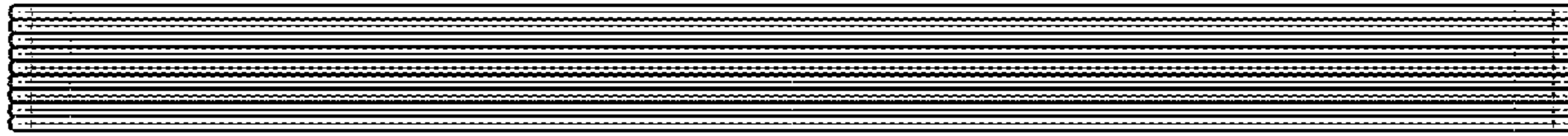


FIG. 2



FIG. 3

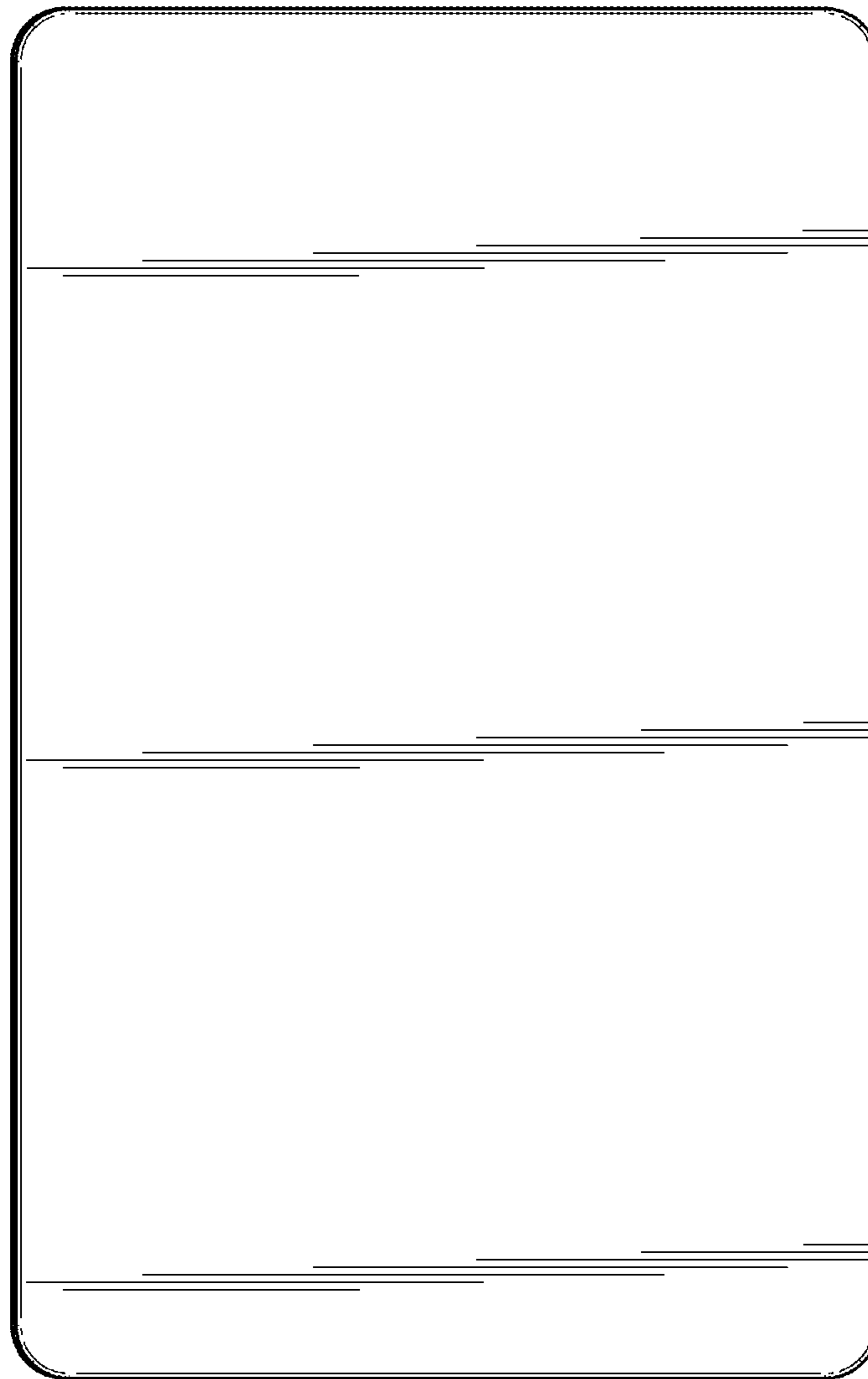


FIG. 4

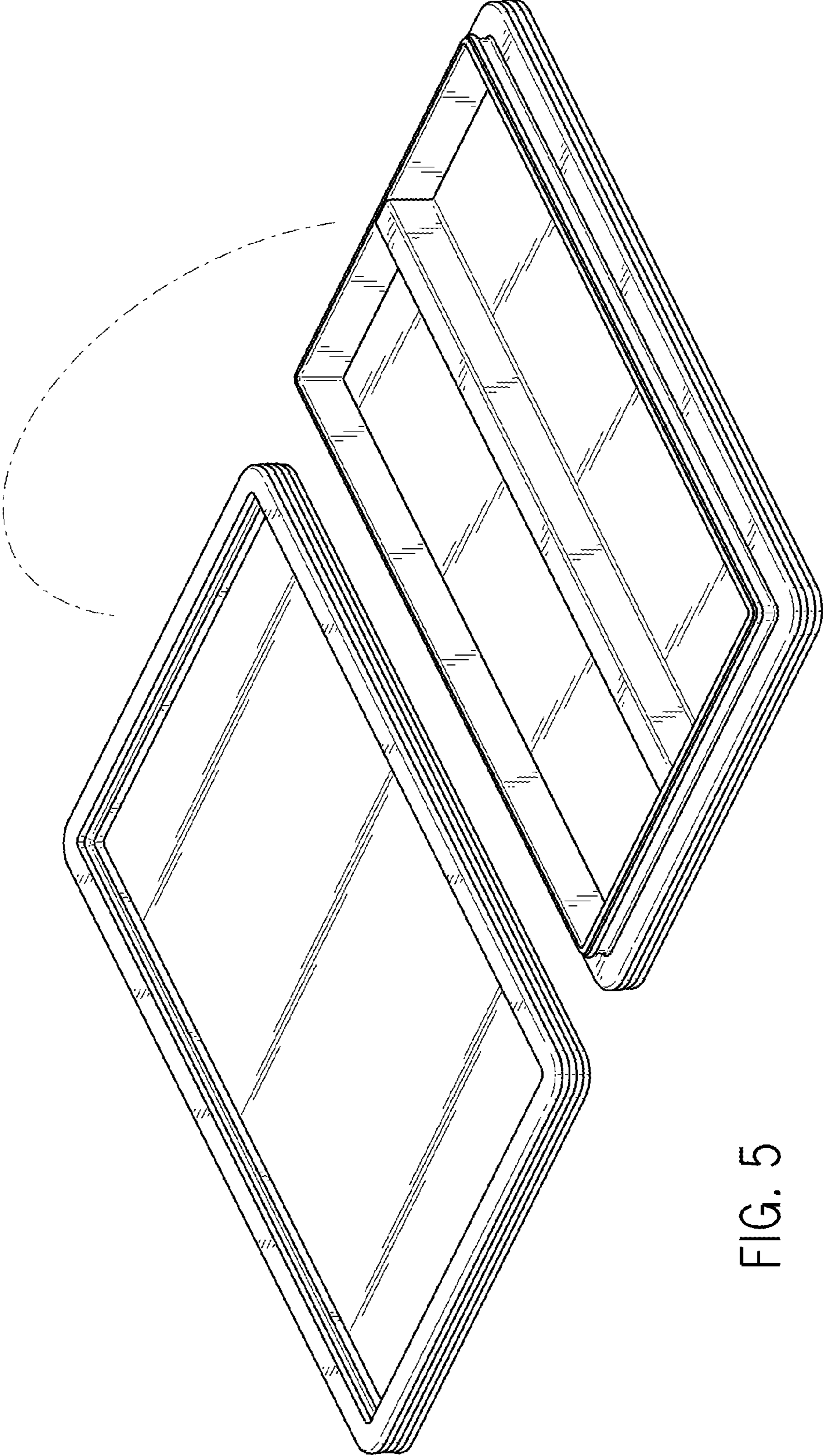


FIG. 5