



US00D714512S

(12) **United States Design Patent**  
**Cook**

(10) **Patent No.:** **US D714,512 S**

(45) **Date of Patent:** **\*\* Sep. 30, 2014**

(54) **FOLDING VEHICULAR LIFT**

D429,051 S \* 8/2000 Porter ..... D34/33  
D431,890 S \* 10/2000 Twilligear et al. .... D34/33  
D683,515 S \* 5/2013 Decker ..... D34/33

(71) Applicant: **Mark A. Cook**, Fort Collins, CO (US)

(72) Inventor: **Mark A. Cook**, Fort Collins, CO (US)

(73) Assignee: **Mac Daddy Enterprises, LLC**, Fort Collins, CO (US)

(\*\*) Term: **14 Years**

(21) Appl. No.: **29/455,859**

(22) Filed: **May 24, 2013**

(51) **LOC (10) Cl.** ..... **02-05**

(52) **U.S. Cl.**  
USPC ..... **D34/33**

(58) **Field of Classification Search**  
USPC ..... D34/28, 33; 414/785, 11, 917; 212/294,  
212/295, 901; 187/200, 244, 243; 254/2 R,  
254/8 R  
See application file for complete search history.

(56) **References Cited**

**U.S. PATENT DOCUMENTS**

3,521,860 A \* 7/1970 Zehrung, Jr. et al. .... 254/8 R  
5,076,448 A \* 12/1991 Ballard ..... 212/294  
D341,242 S \* 11/1993 Thorby ..... D34/33  
5,431,526 A \* 7/1995 Peterson et al. .... 414/543  
D376,240 S \* 12/1996 Finnigan et al. .... D34/33  
5,588,907 A \* 12/1996 DePietro et al. .... 452/187

**OTHER PUBLICATIONS**

Load Up brochure, p. 1.

\* cited by examiner

*Primary Examiner* — Cynthia Ramirez

(74) *Attorney, Agent, or Firm* — Paul M. Thompson;  
Cochran Freund & Young LLC

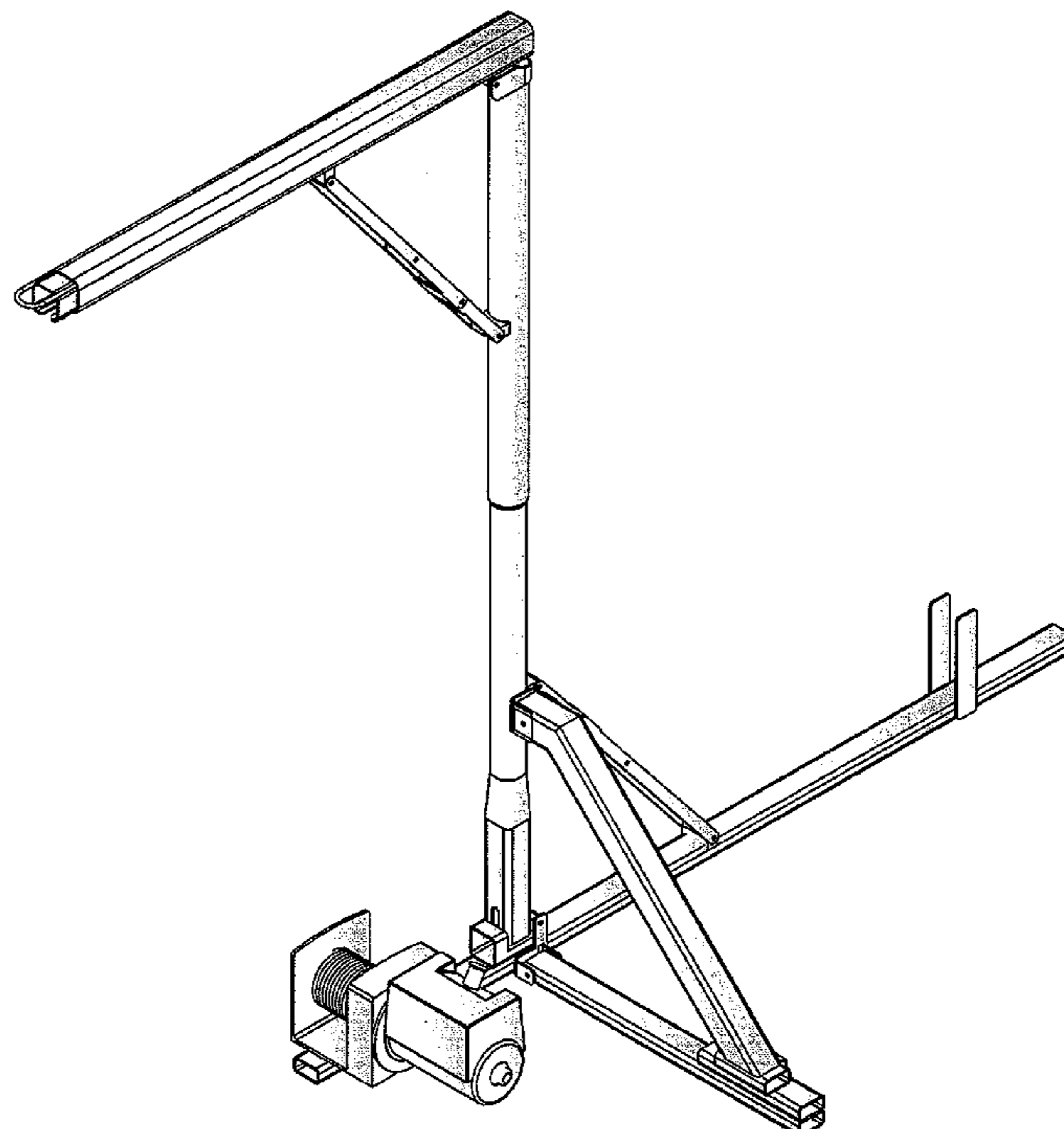
(57) **CLAIM**

The ornamental design for a folding vehicular lift, as shown and described.

**DESCRIPTION**

FIG. 1 is an isometric view of a folding vehicular lift showing my new design in an unfolded disposition.  
FIG. 2 is an isometric view of a folding vehicular lift showing my new design in a folded disposition.  
FIG. 3 is a left side elevation view thereof.  
FIG. 4 is a right side elevation view thereof.  
FIG. 5 is a rear elevation view thereof.  
FIG. 6 is a front elevation view thereof.  
FIG. 7 is a top plan view thereof; and,  
FIG. 8 is a bottom plan view thereof.

**1 Claim, 8 Drawing Sheets**



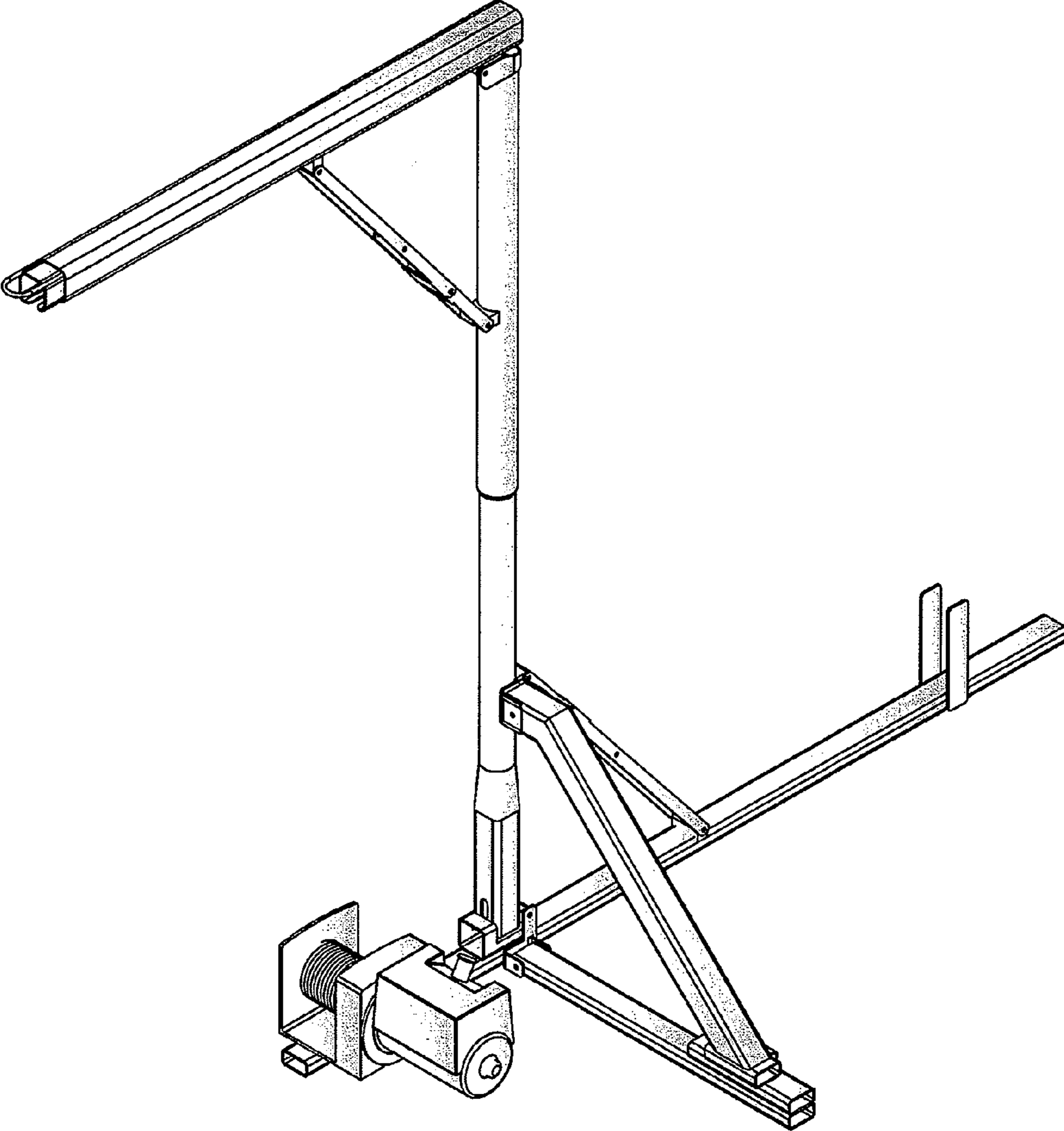


FIG. 1

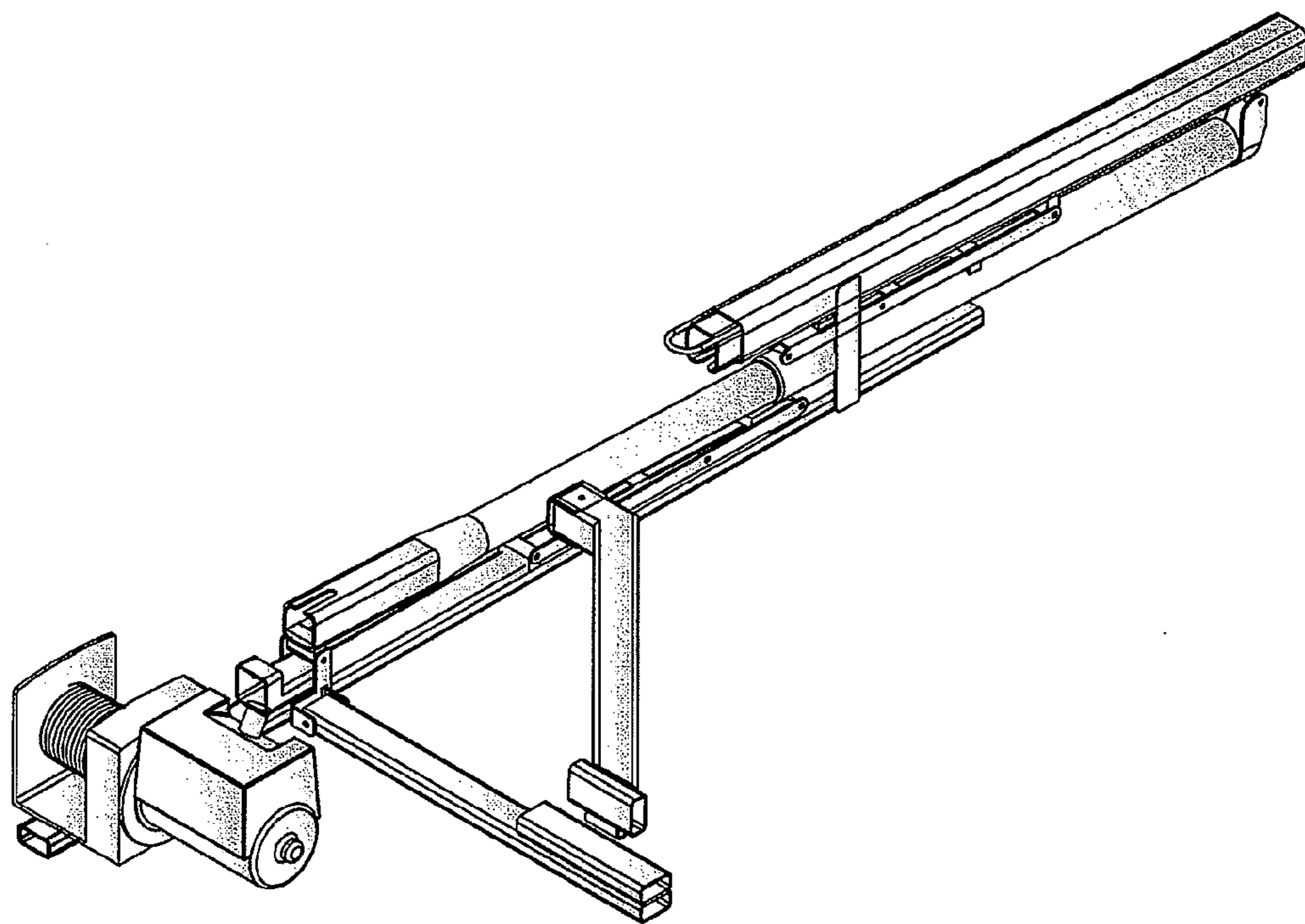


FIG. 2

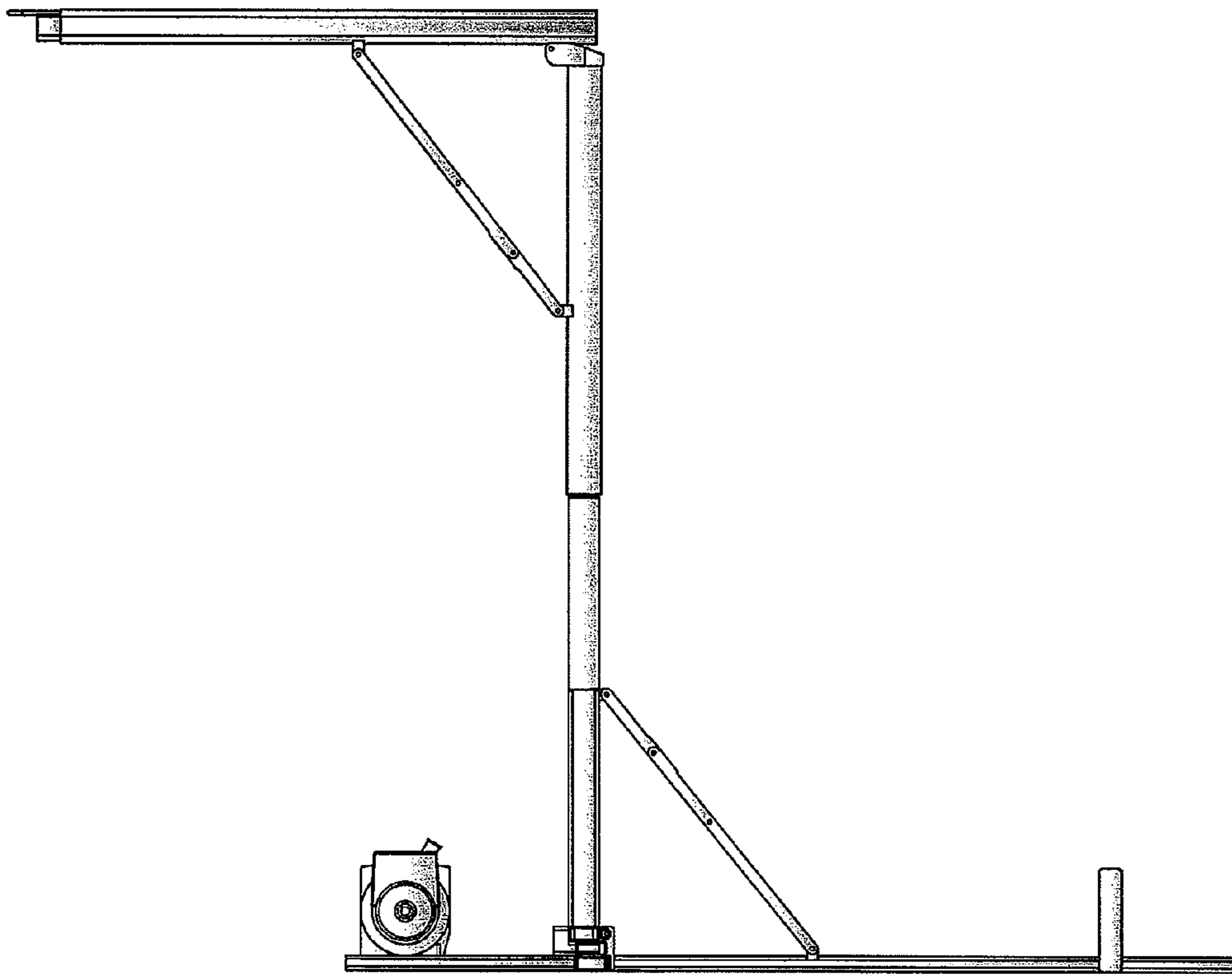


FIG. 3

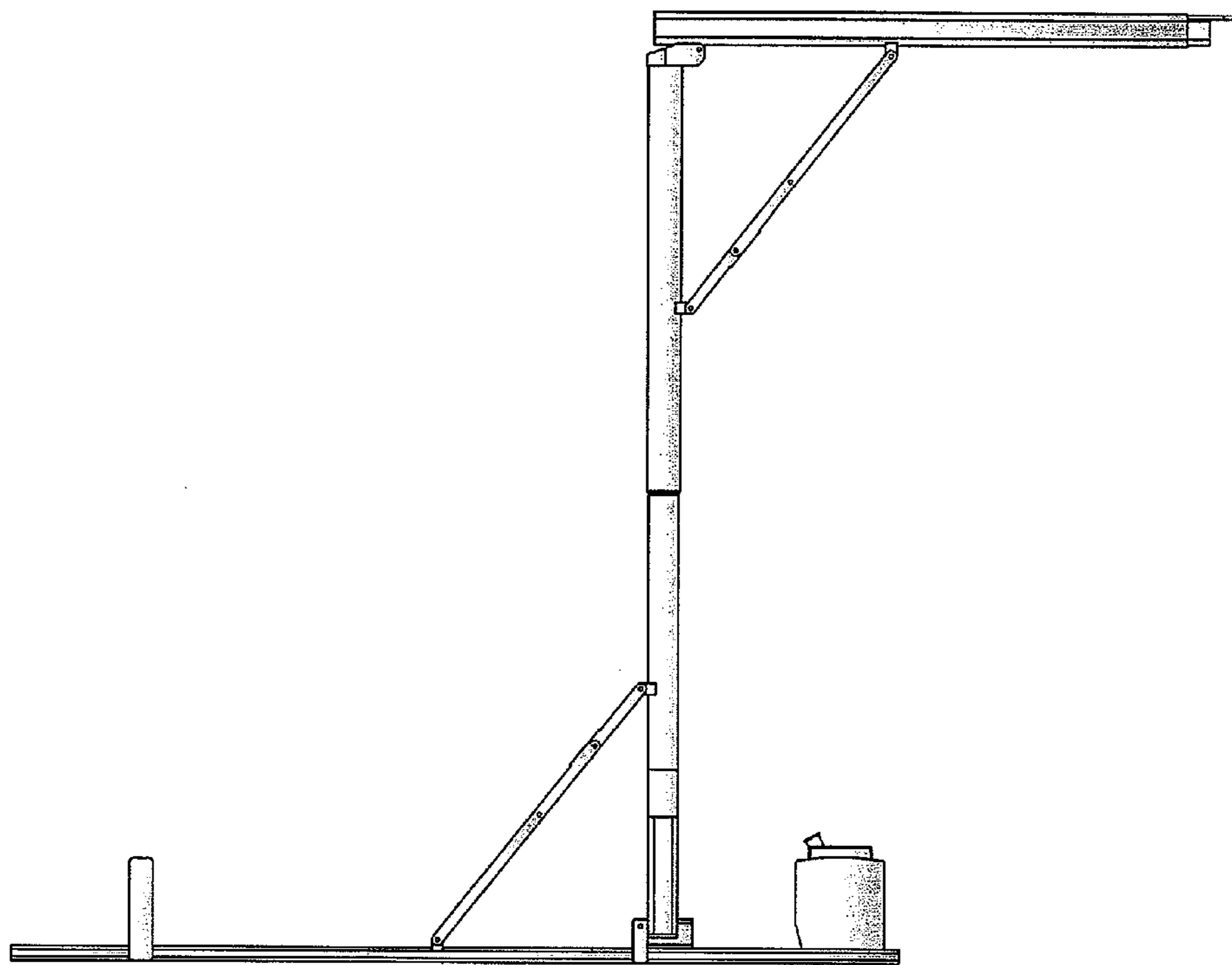


FIG. 4

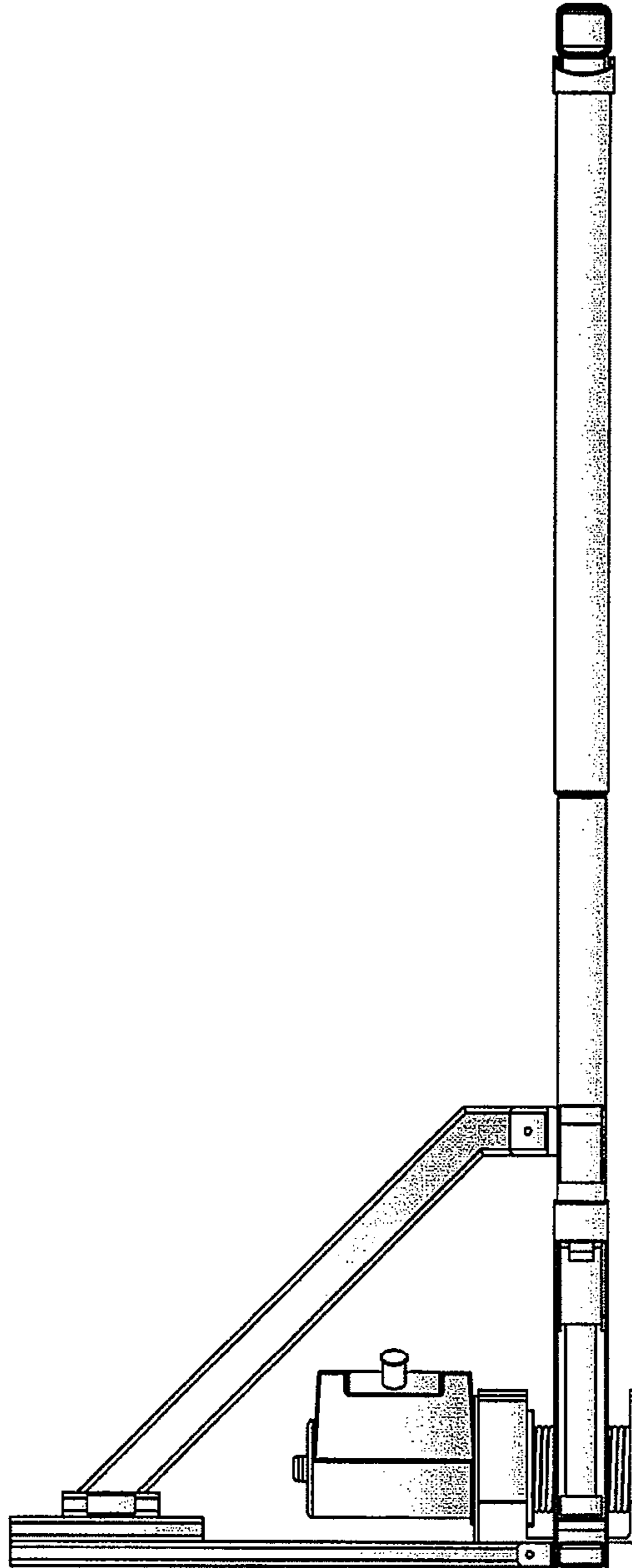


FIG. 5



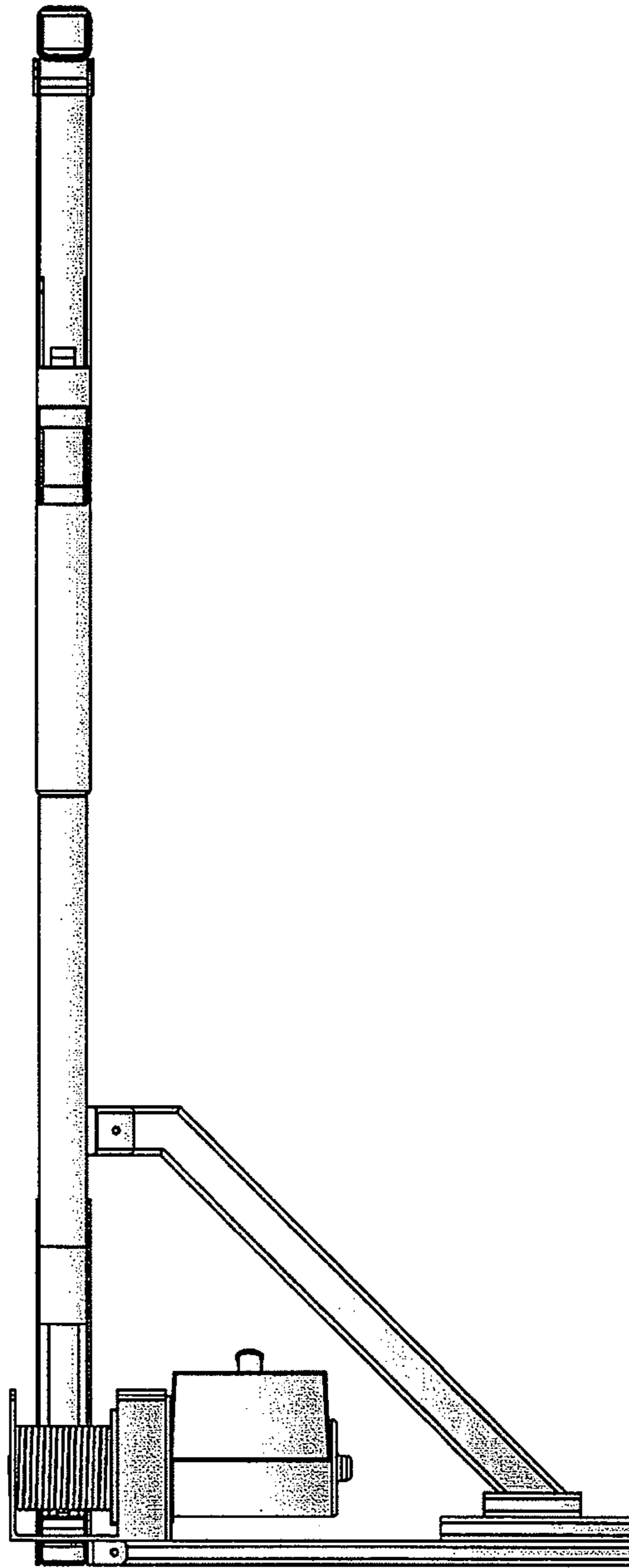


FIG. 6

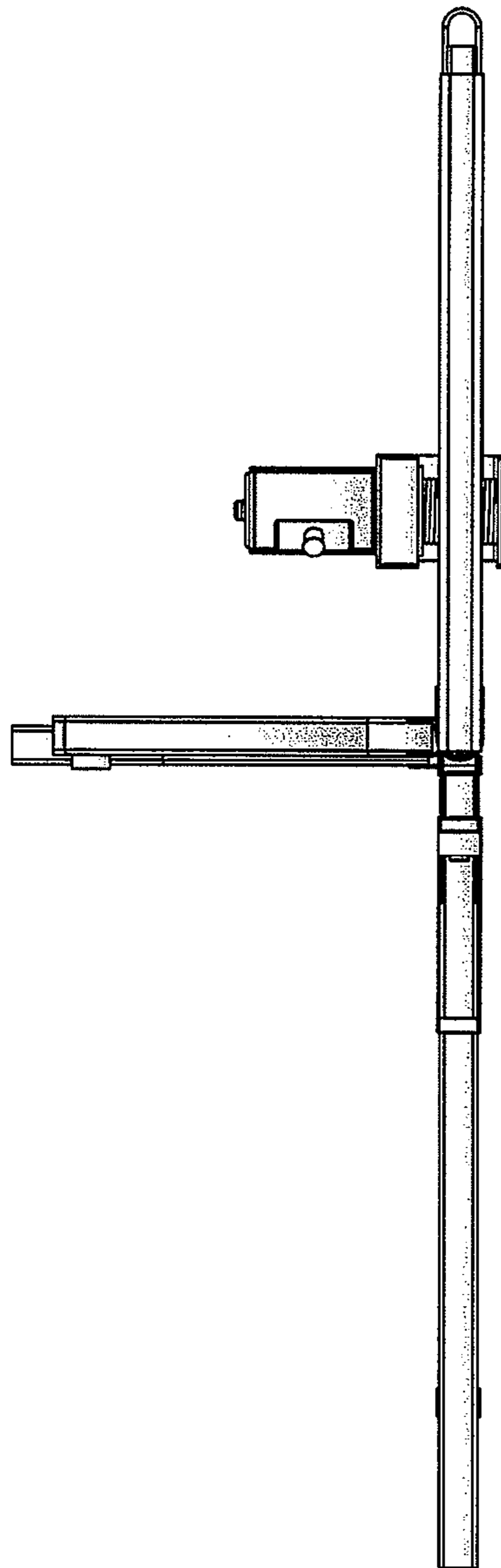
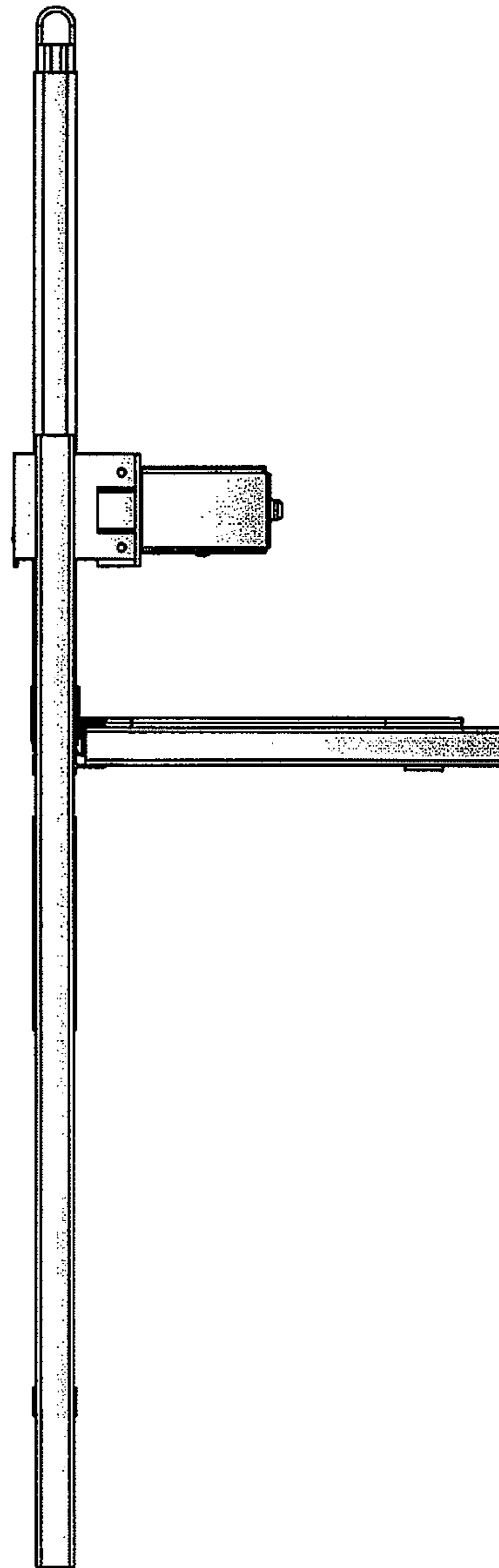


FIG. 7





**FIG. 8**