



US00D714511S

(12) **United States Design Patent**
Kuklik

(10) **Patent No.:** **US D714,511 S**

(45) **Date of Patent:** **** Sep. 30, 2014**

(54) **GOLF-CLUB CADDY**

(76) Inventor: **Richard Kuklik, Praha (CZ)**

(**) Term: **14 Years**

(21) Appl. No.: **29/427,686**

(22) Filed: **Jul. 20, 2012**

(30) **Foreign Application Priority Data**

Mar. 20, 2012 (EM) 002011361-0001

(51) **LOC (10) Cl.** **12-13**

(52) **U.S. Cl.**
USPC **D34/15**

(58) **Field of Classification Search**

USPC D34/12-27; 280/DIG. 5, 47.19, 47.26,
280/47.17, 47.18, 47.24, 30, 40, 41;
180/19.3, 19.1, 65.6

See application file for complete search history.

(56) **References Cited**

U.S. PATENT DOCUMENTS

D438,357 S *	2/2001	Wu	D34/15
D446,620 S *	8/2001	Liao	D34/15
D450,167 S *	11/2001	Liao	D34/15
D450,415 S *	11/2001	Liao	D34/15
D454,996 S *	3/2002	Liao	D34/15
D468,510 S *	1/2003	Jacobs	D34/15
D488,279 S *	4/2004	Wu	D34/15
D549,421 S *	8/2007	Liao	D34/15
D695,484 S *	12/2013	Powell	D34/15

* cited by examiner

Primary Examiner — Cynthia Ramirez

(74) *Attorney, Agent, or Firm* — Hovey Williams LLP

(57) **CLAIM**

The ornamental design for a golf-club caddy, as shown and described.

DESCRIPTION

FIG. 1 is a right top front perspective view of a golf-club caddy having my new design;

FIG. 2 is a front perspective view thereof;

FIG. 3 is a rear perspective view thereof;

FIG. 4 is a right top rear perspective view thereof;

FIG. 5 is a bottom perspective view thereof;

FIG. 6 is a left top front perspective view thereof;

FIG. 7 is a left side elevational view thereof, the right side being a mirror image thereof with the exception of the handle adjustment lever which is as shown in FIGS. 1, 4, 5, 8 9, 13, 14 and 15;

FIG. 8 is a rear elevational view thereof;

FIG. 9 is a top plan view thereof;

FIG. 10 is front elevational view thereof with the golf-club caddy tilted rearwardly;

FIG. 11 is a front elevational view thereof with the golf-club caddy resting on the front support in the position as shown in FIG. 7;

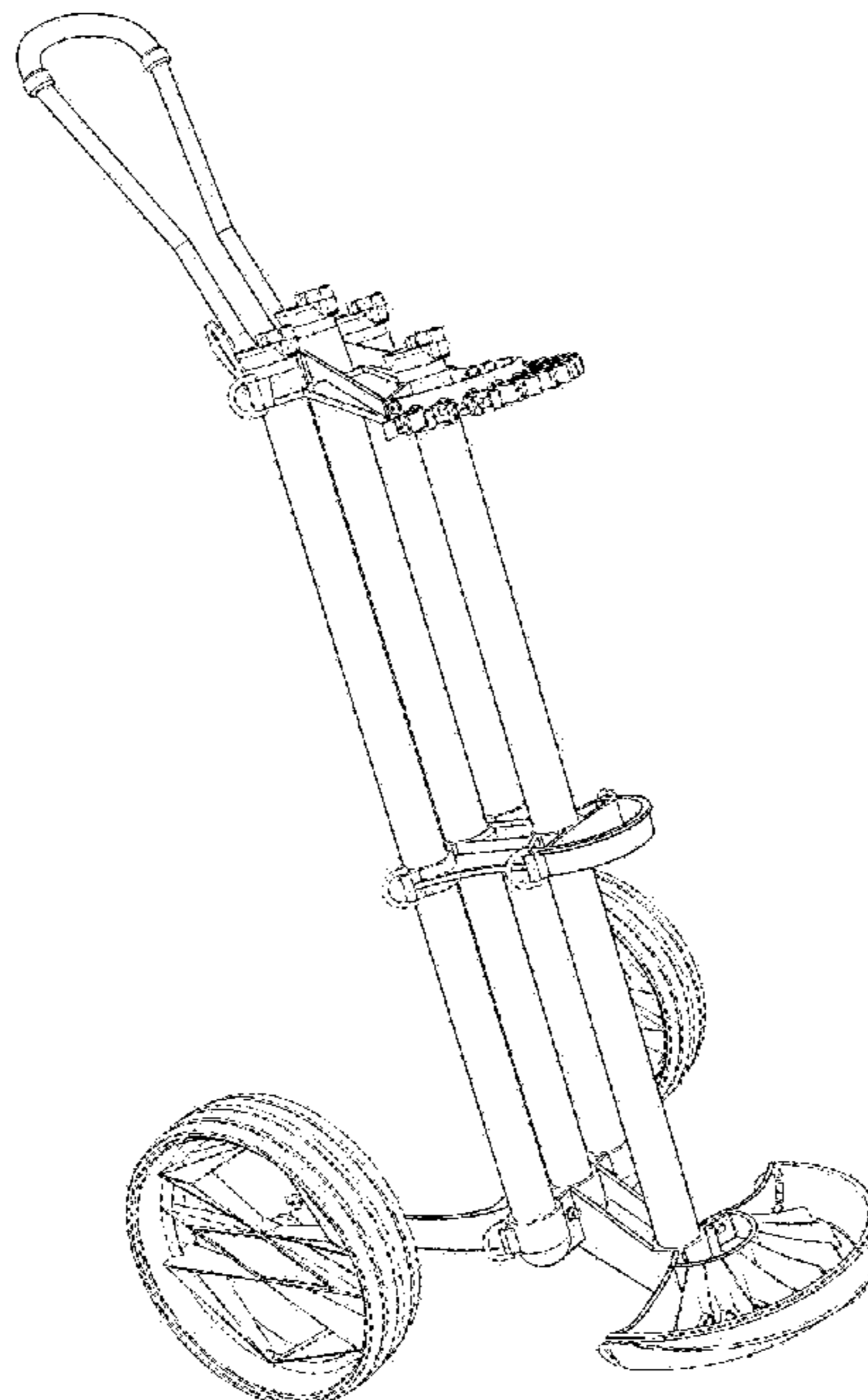
FIG. 12 is top front elevational view thereof taken perpendicular to the incline of the longitudinal axis of the support tubes shown in FIG. 7.

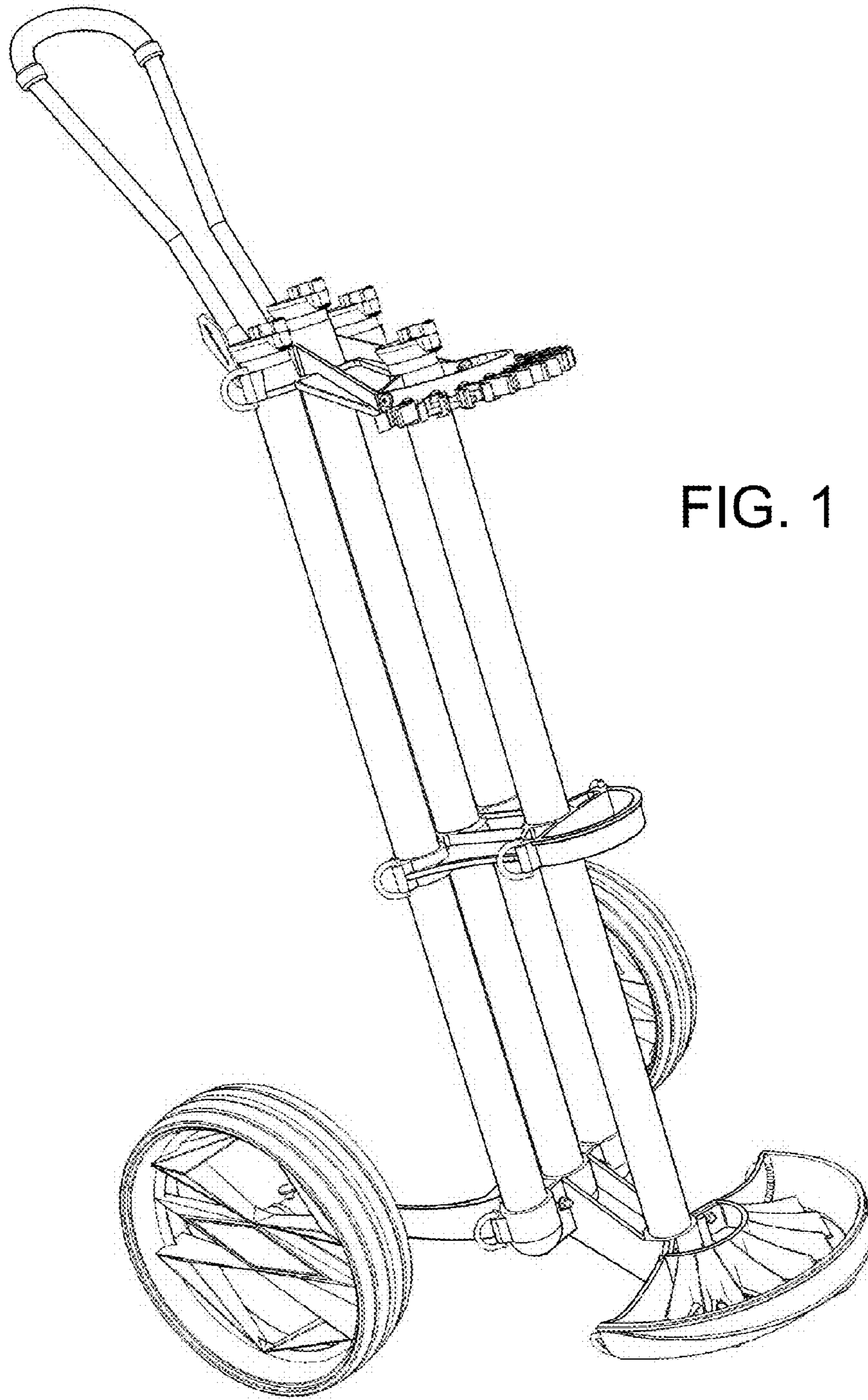
FIG. 13 is a top front elevational view thereof taken between the view of FIGS. 9 and 12;

FIG. 14 is a top front elevational view thereof taken between the views of FIGS. 9 and 13; and,

FIG. 15 is a top rear elevational view thereof taken parallel to the incline of the longitudinal axis of the support tubes shown in FIG. 7.

1 Claim, 15 Drawing Sheets





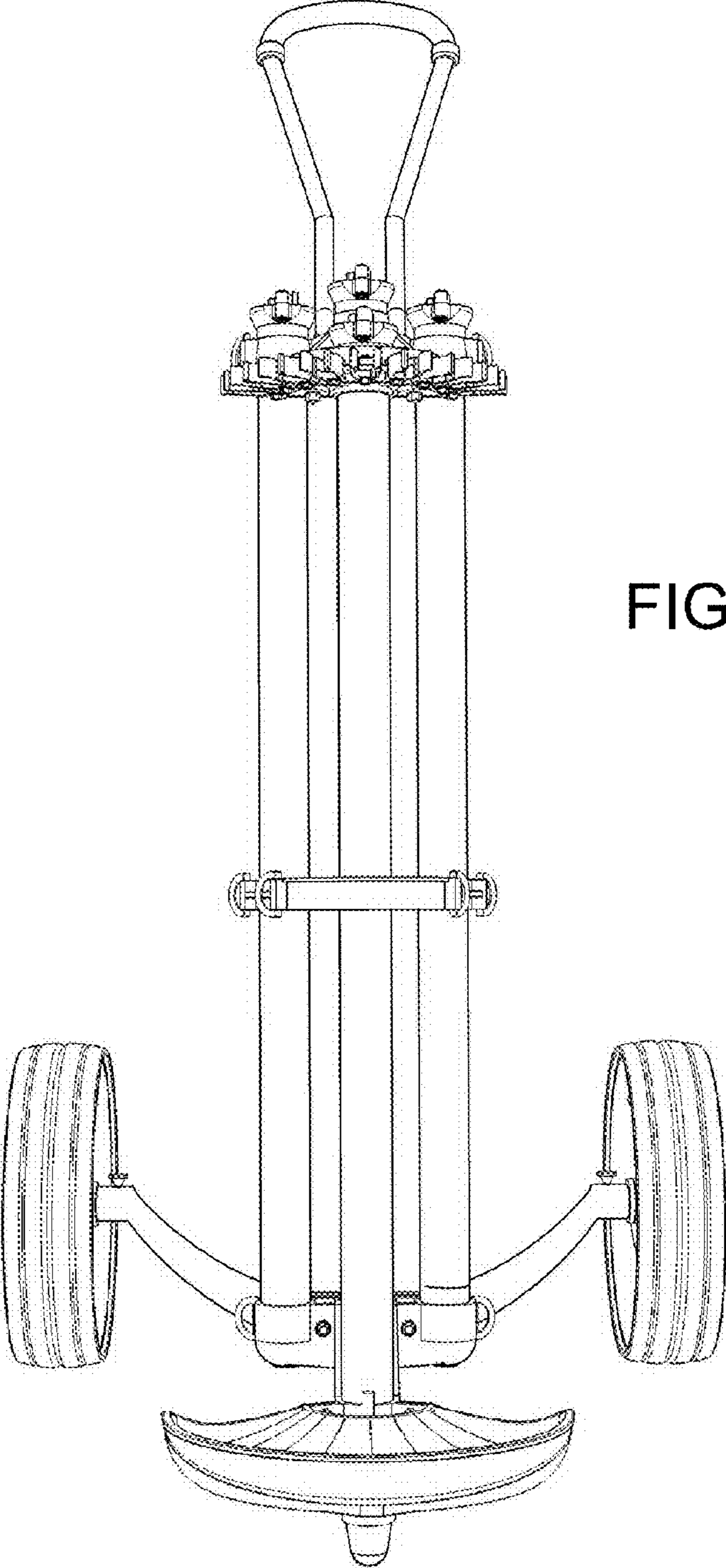


FIG. 2

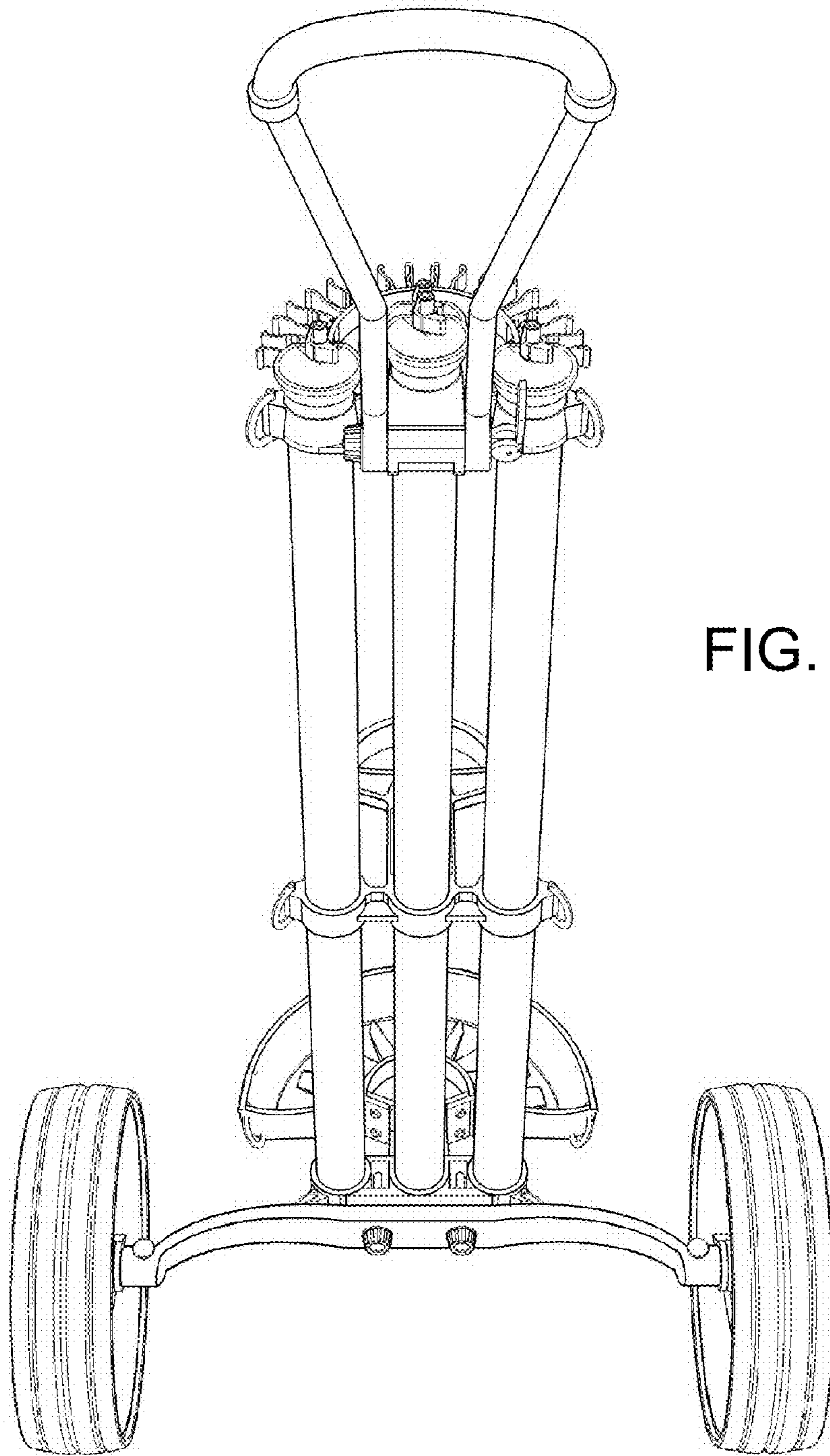


FIG. 3

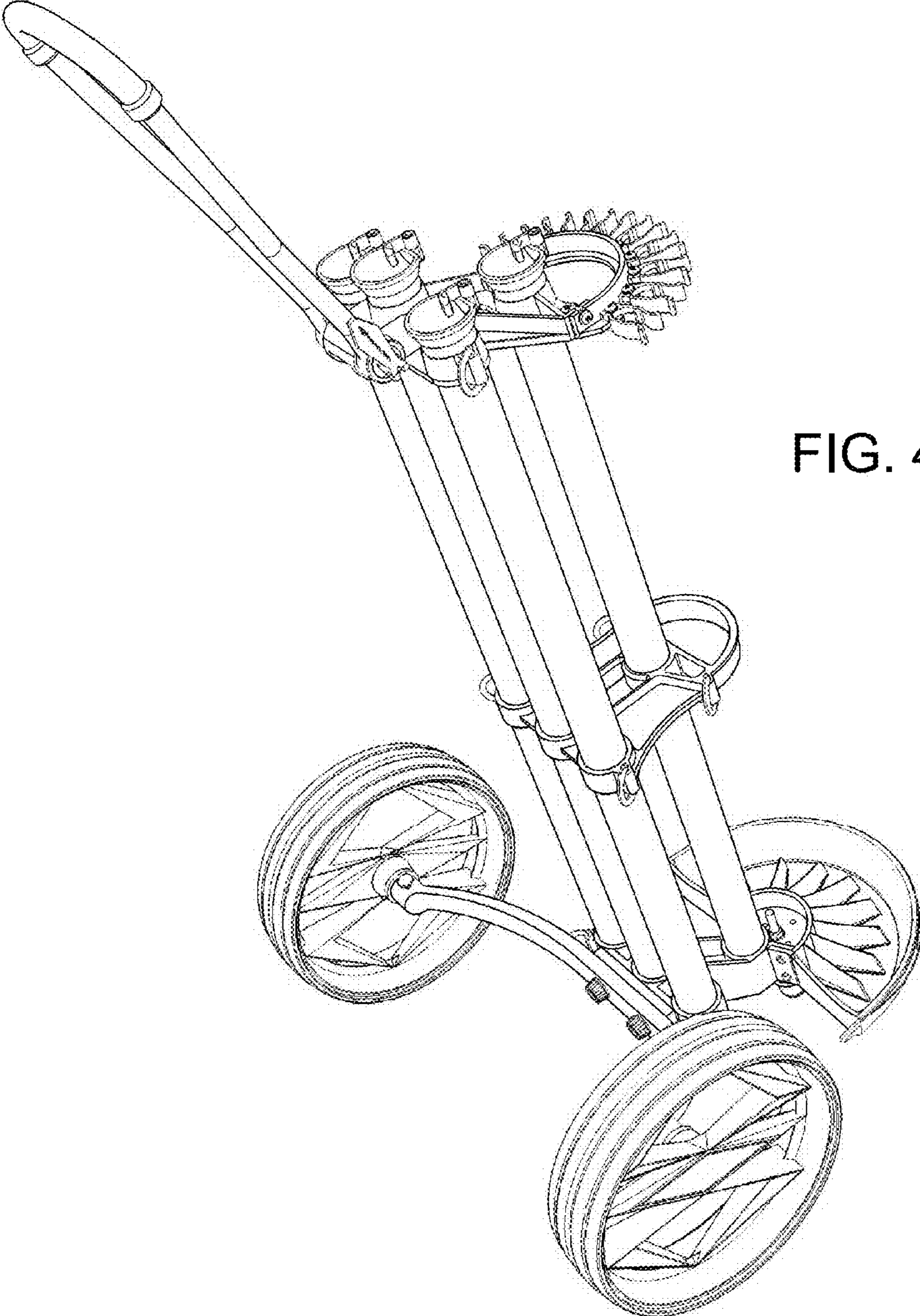


FIG. 4

FIG. 5

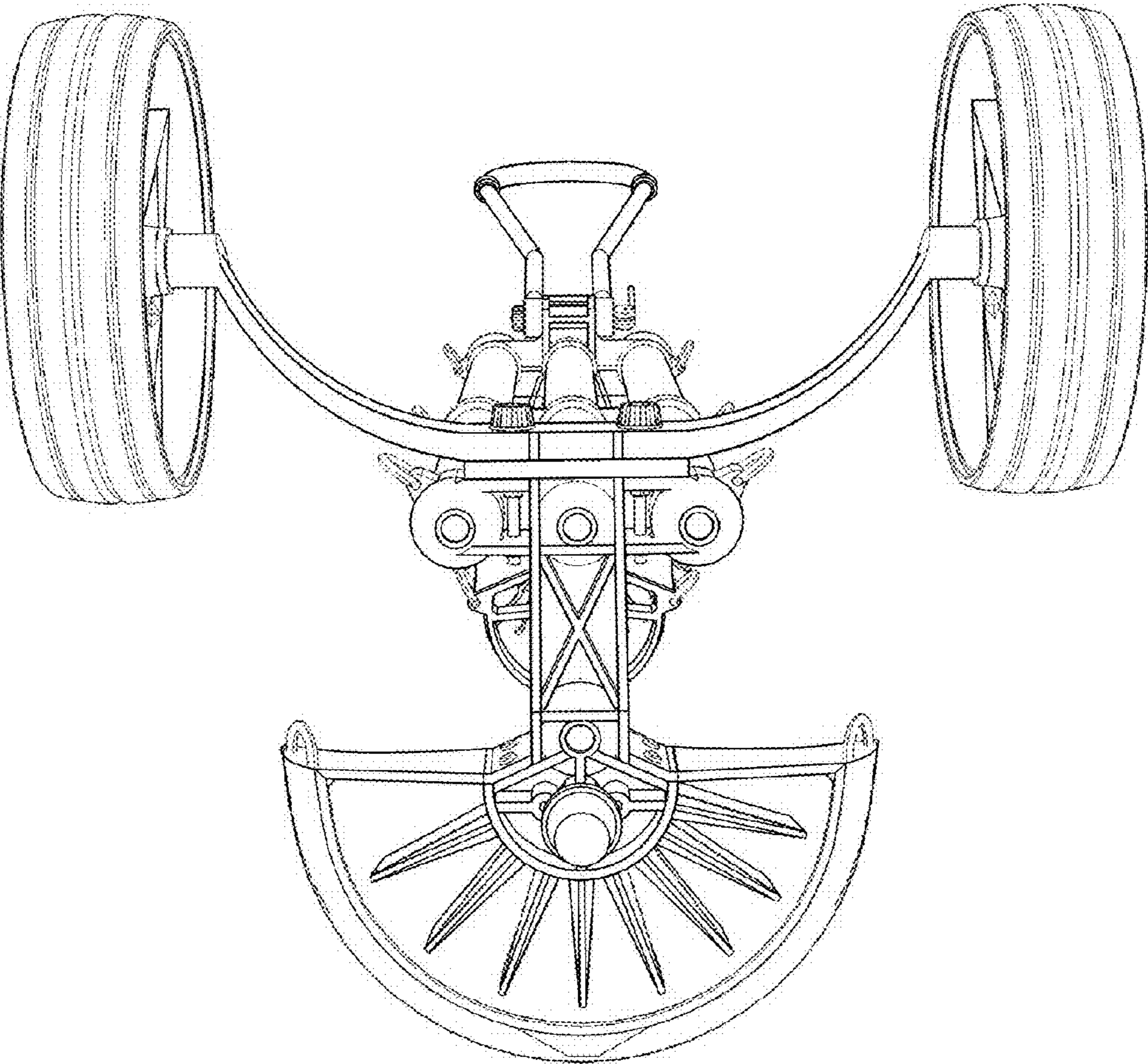


FIG. 6

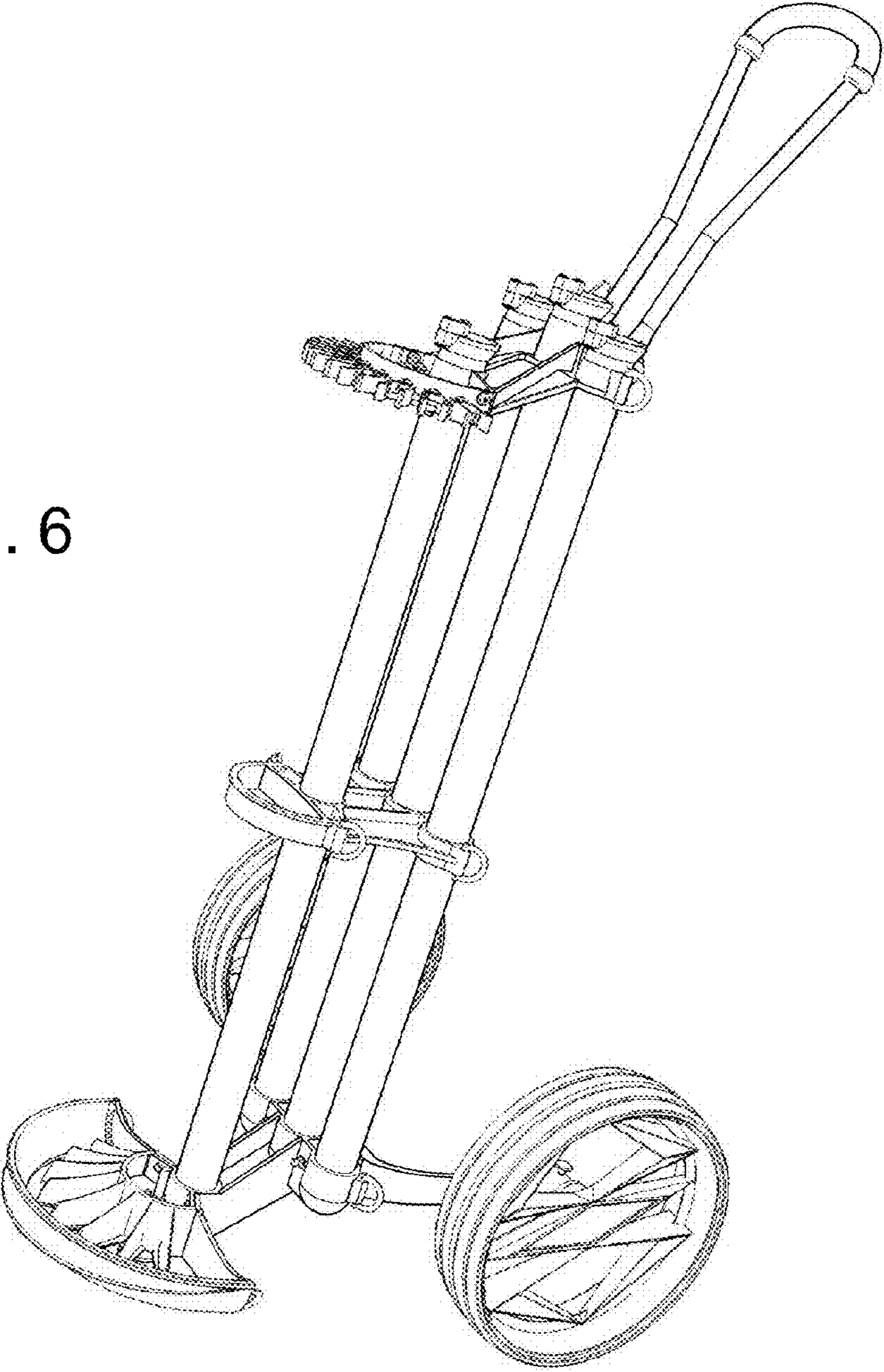
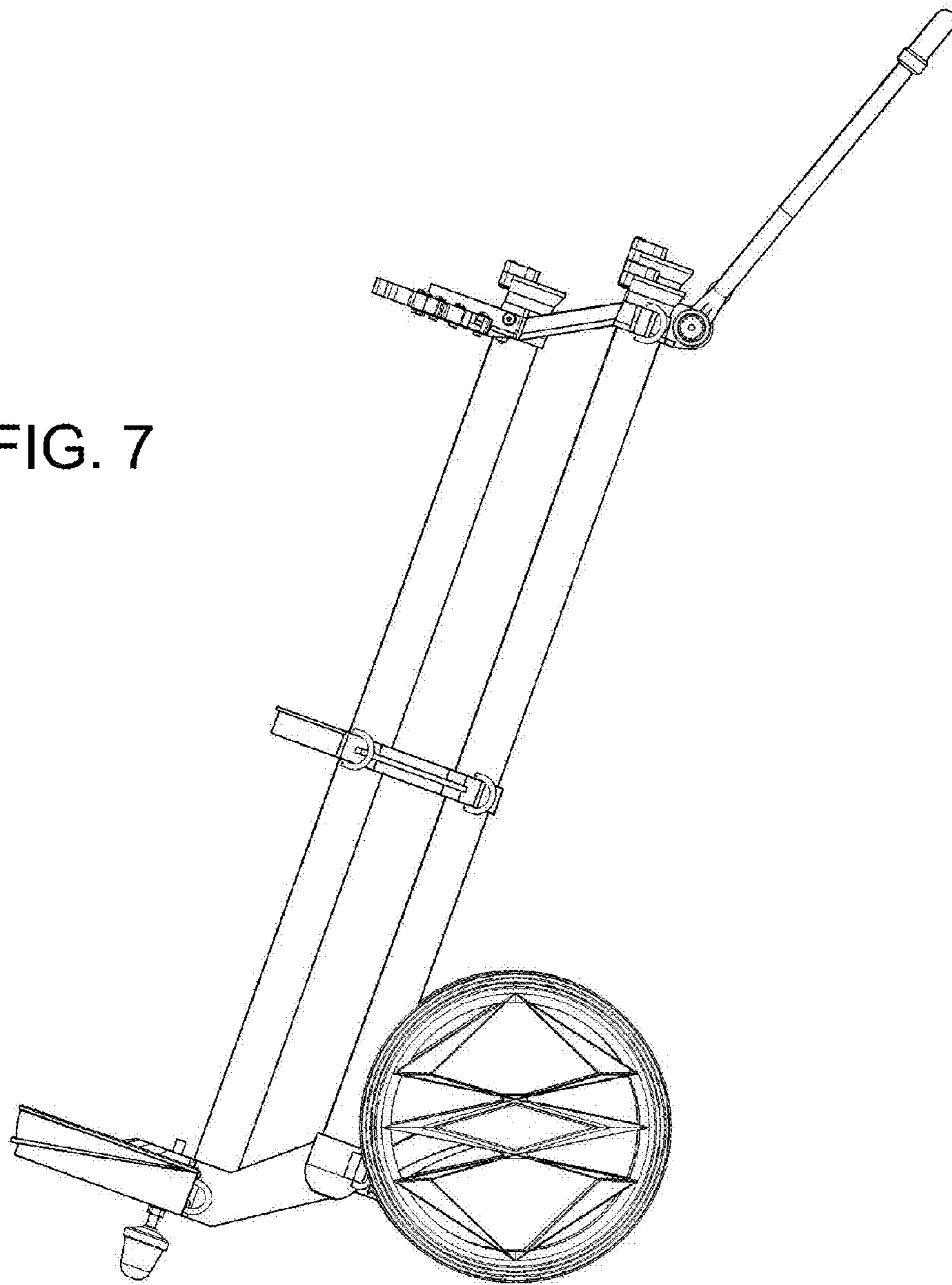


FIG. 7



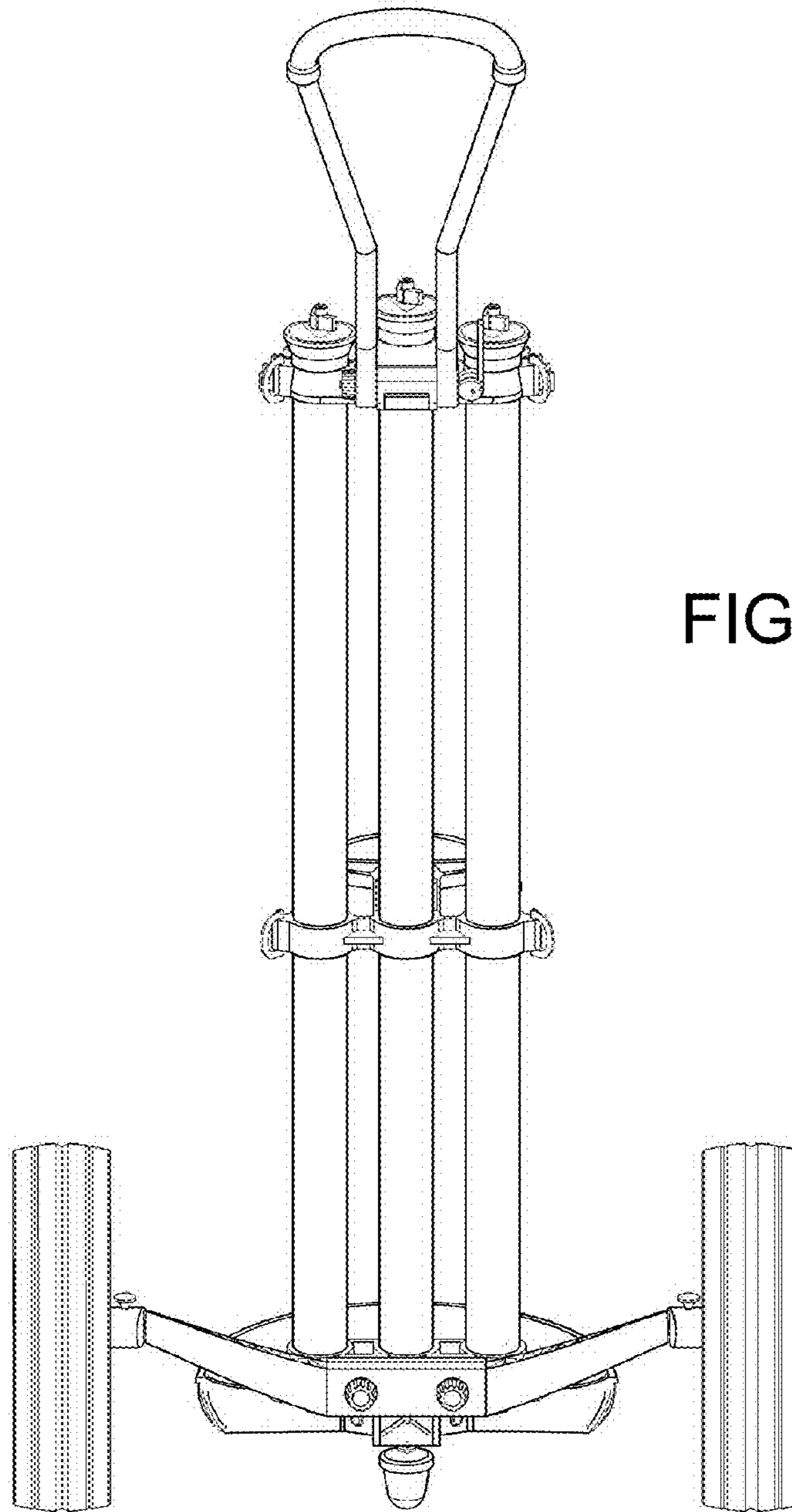


FIG. 8

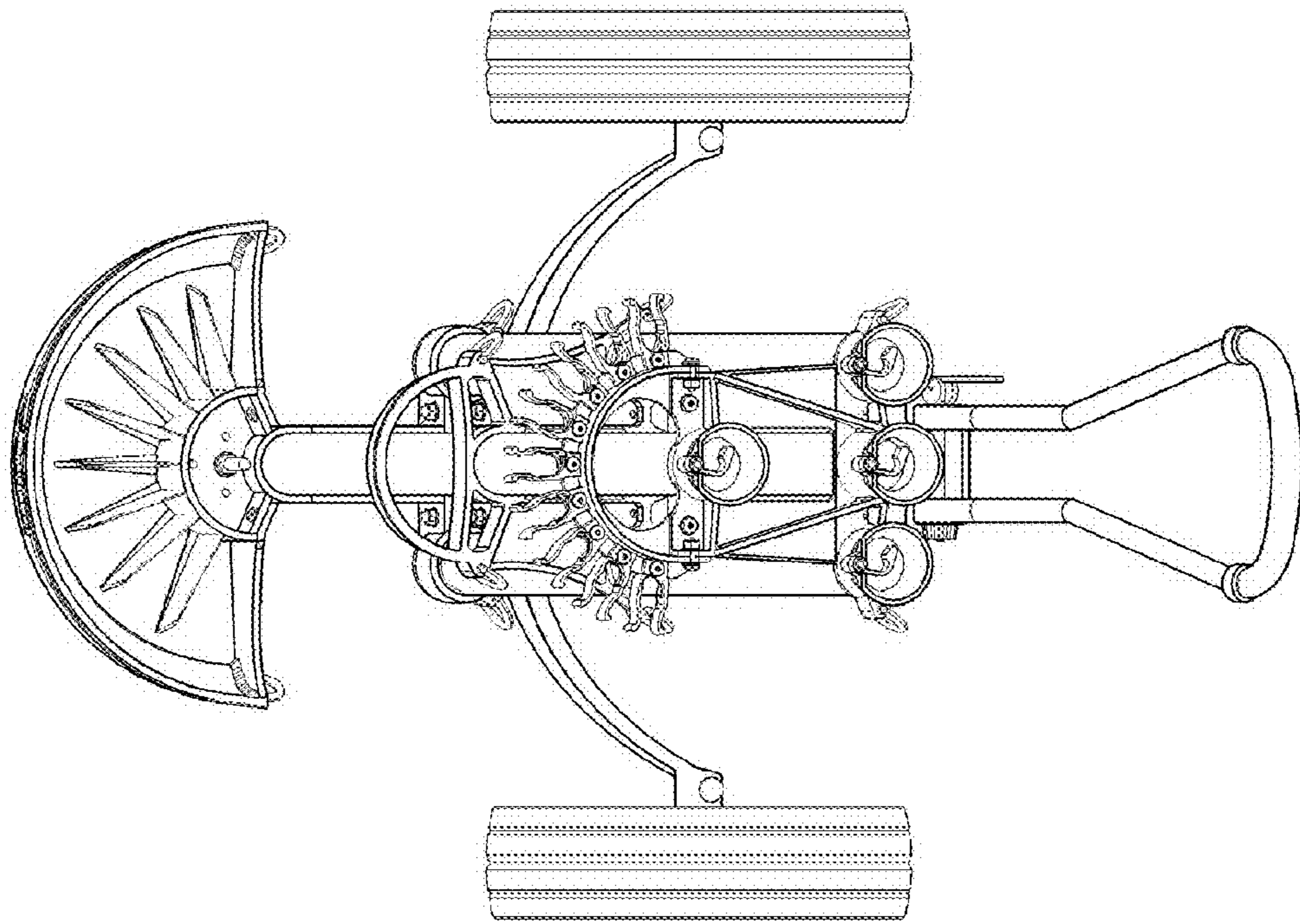


FIG. 9

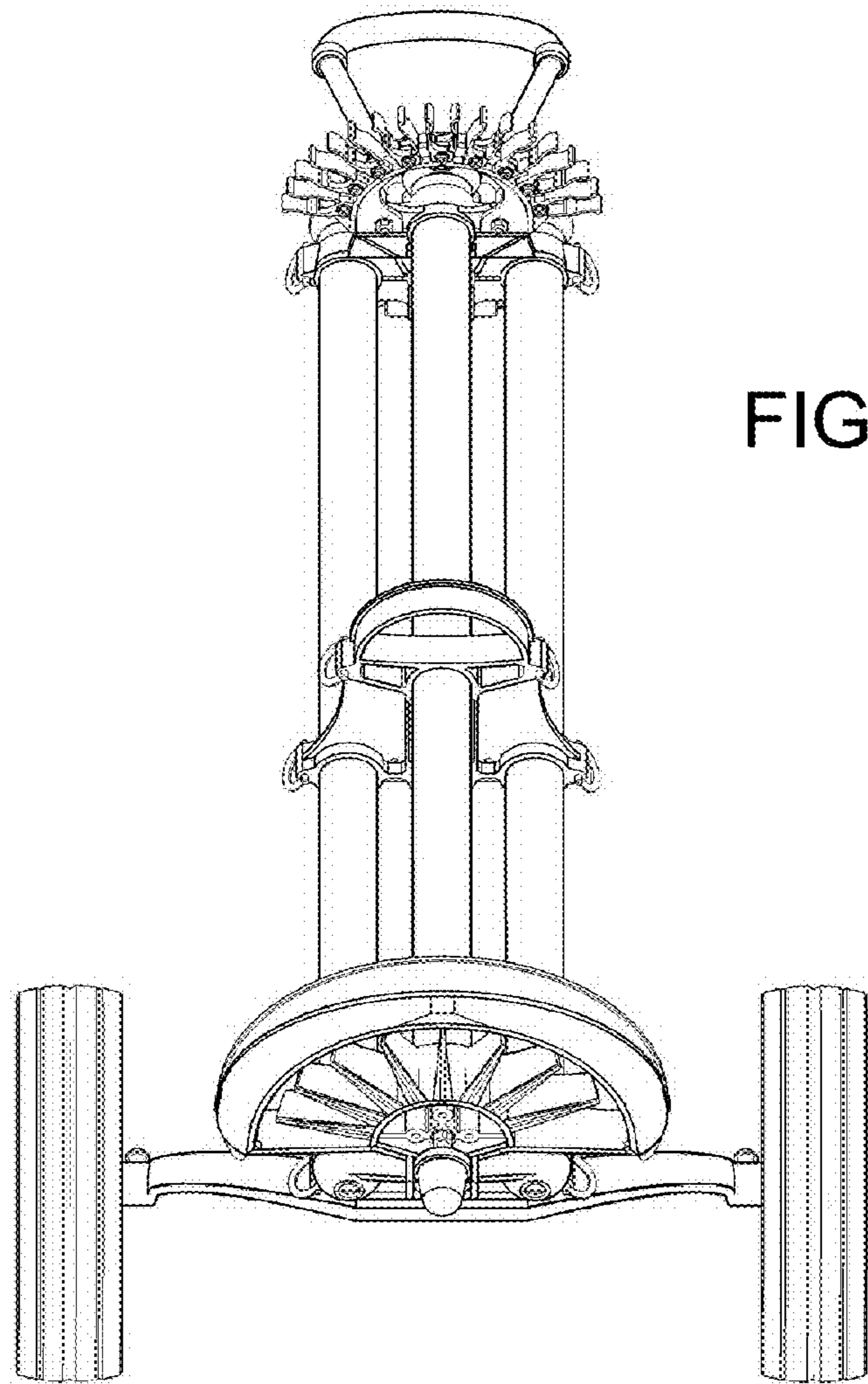


FIG. 10

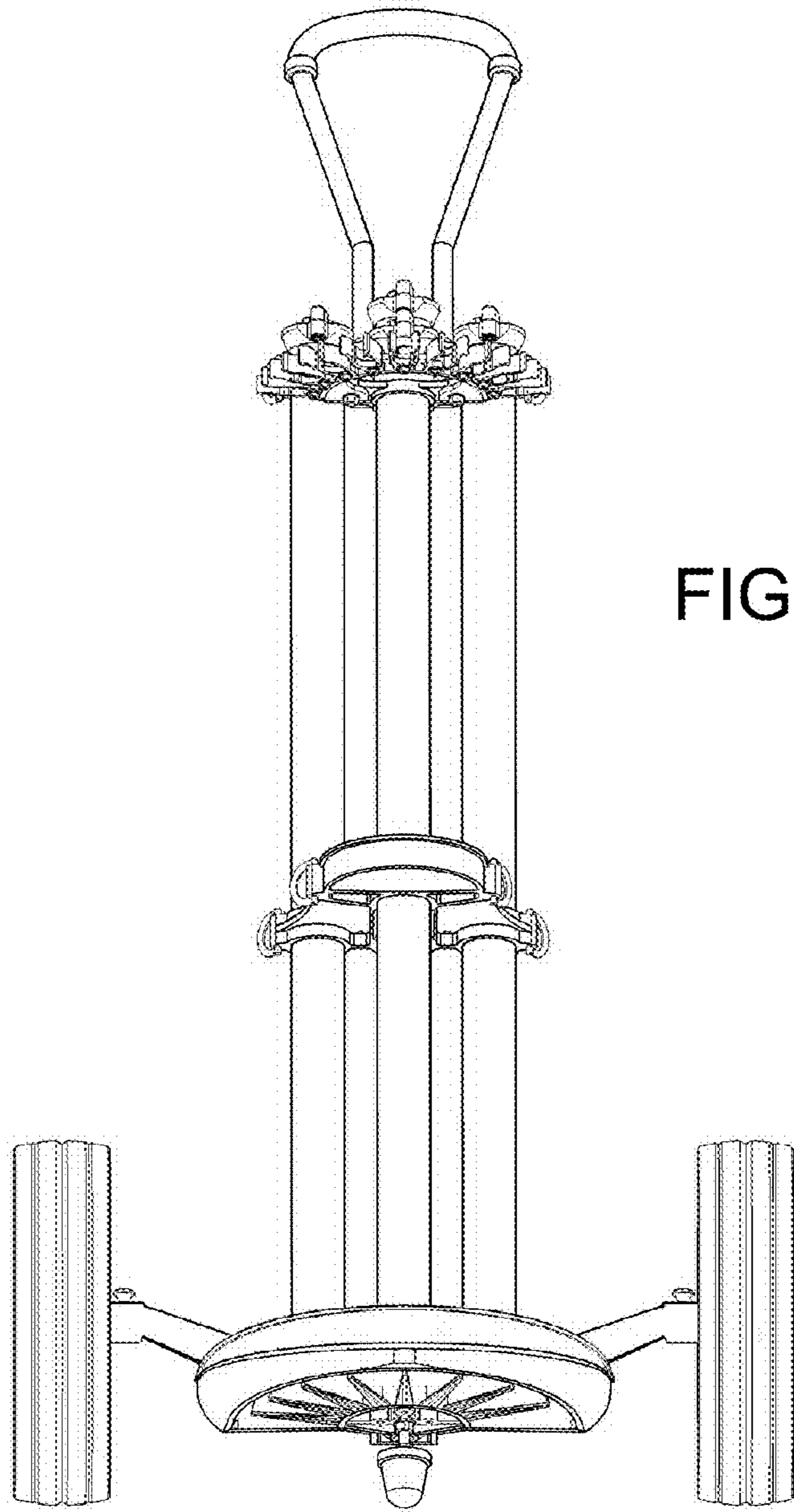


FIG. 11

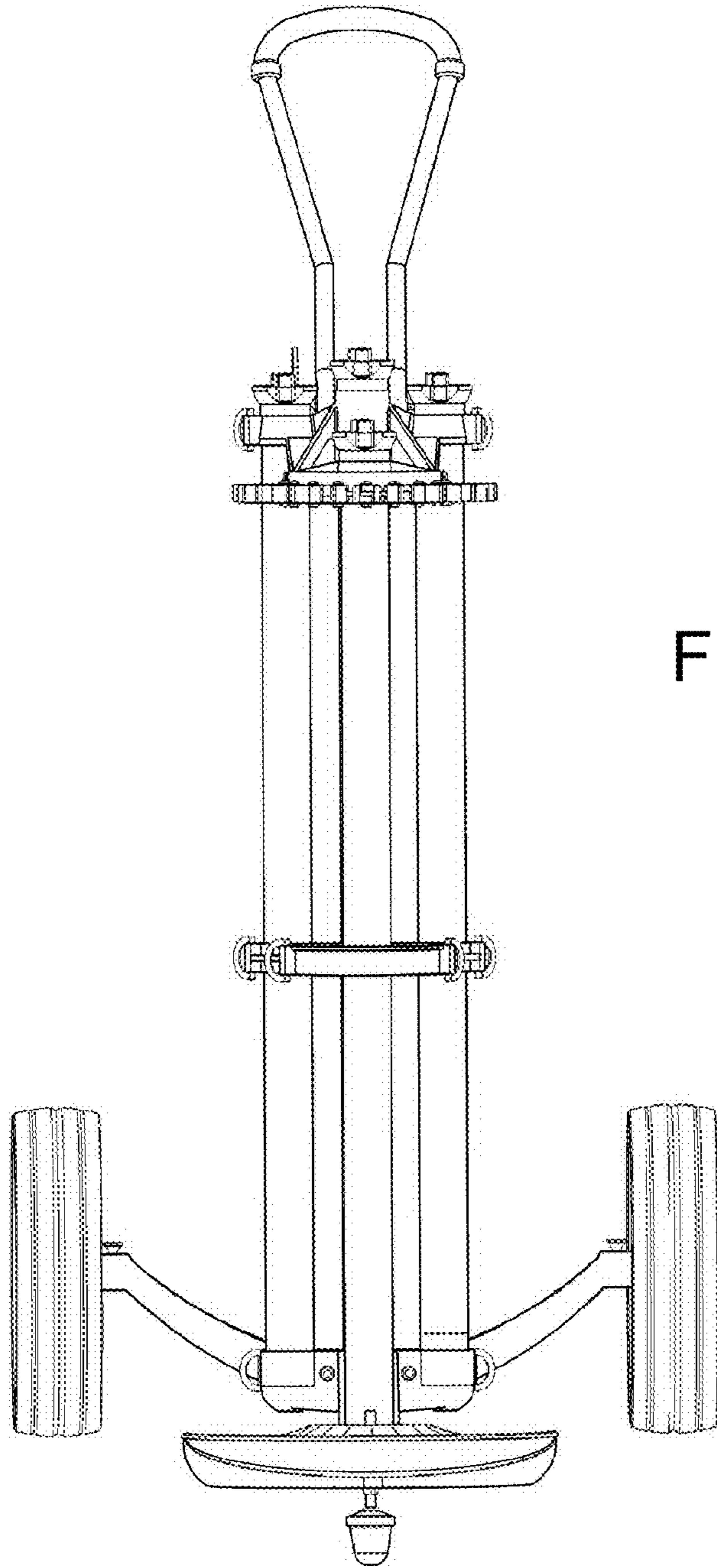


FIG. 12

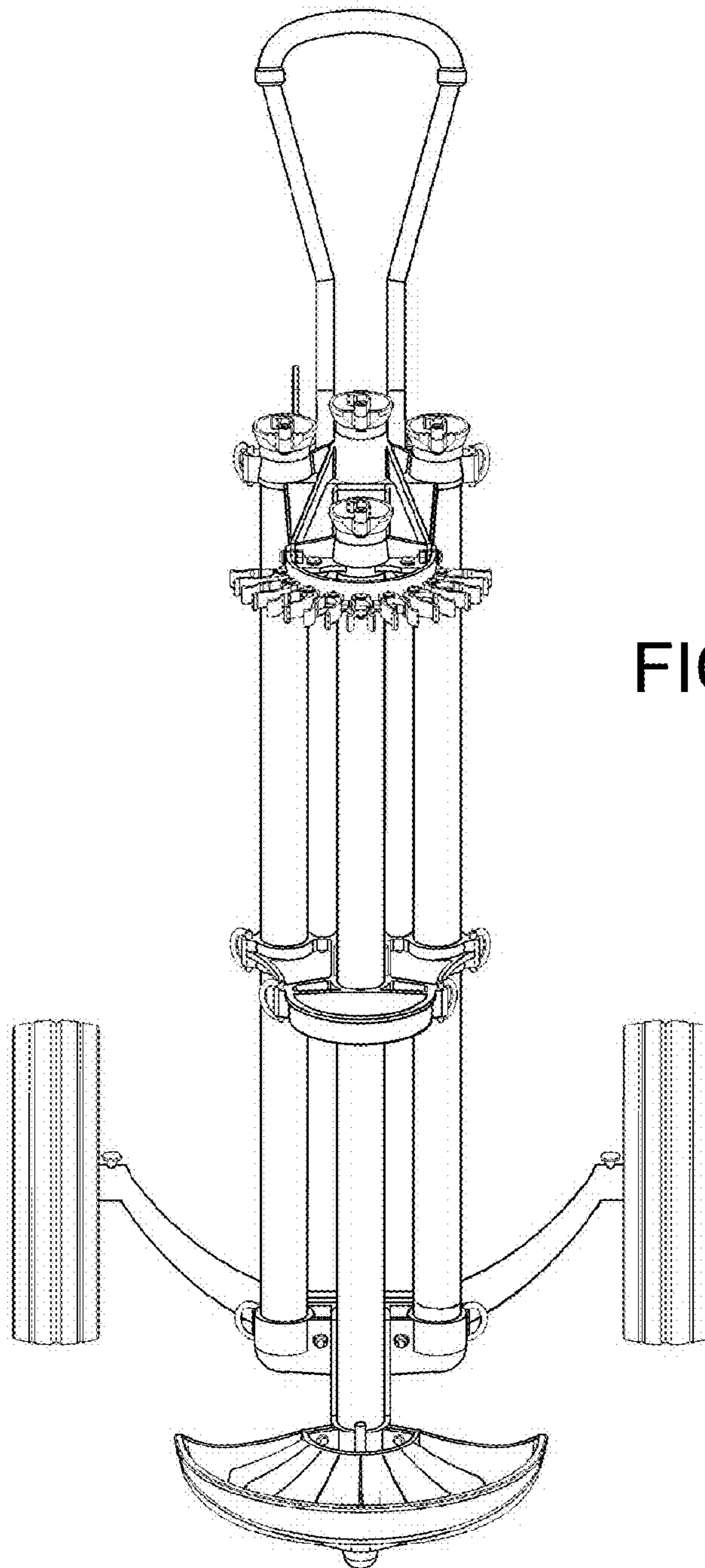


FIG. 13

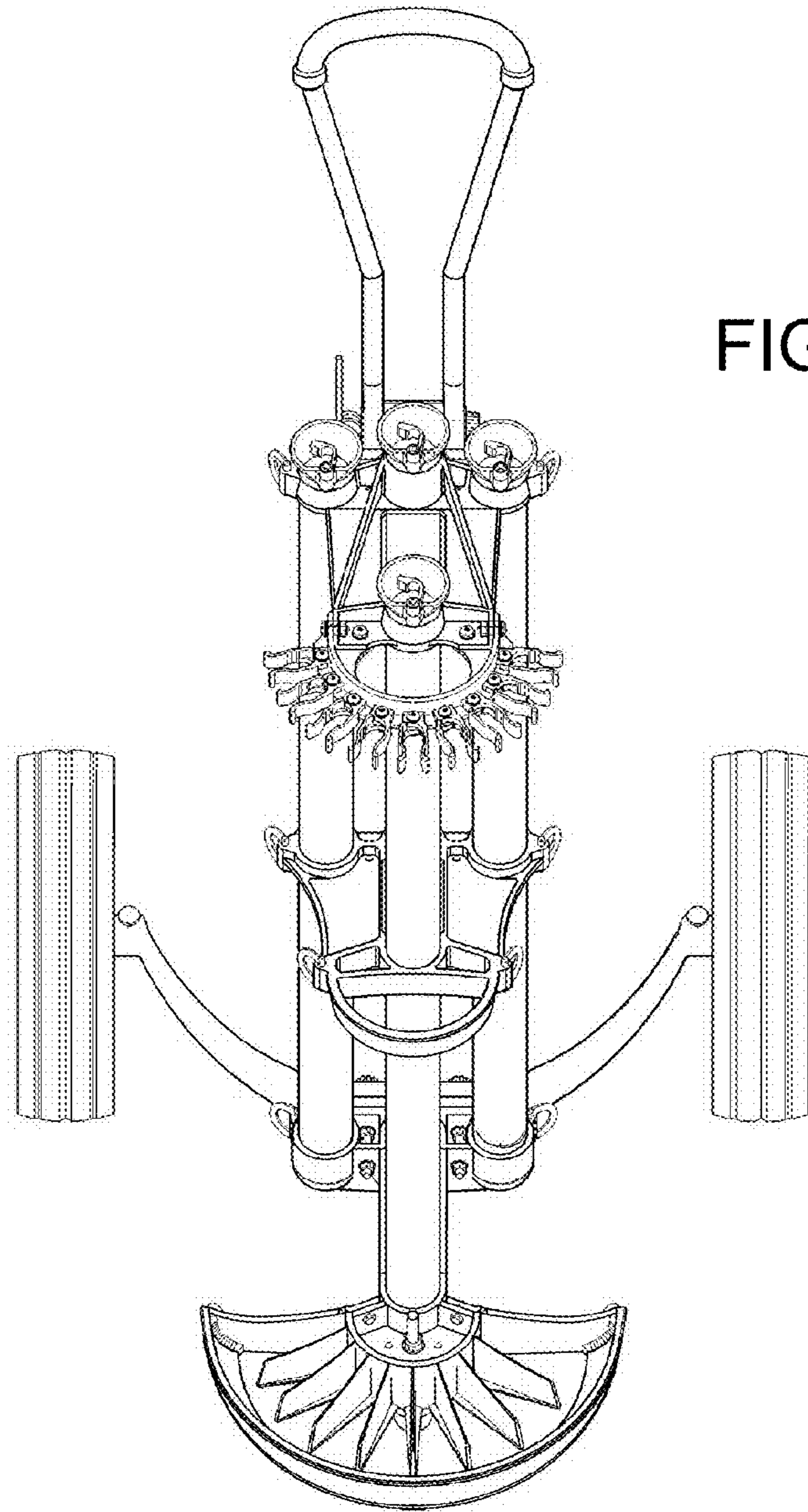


FIG. 14

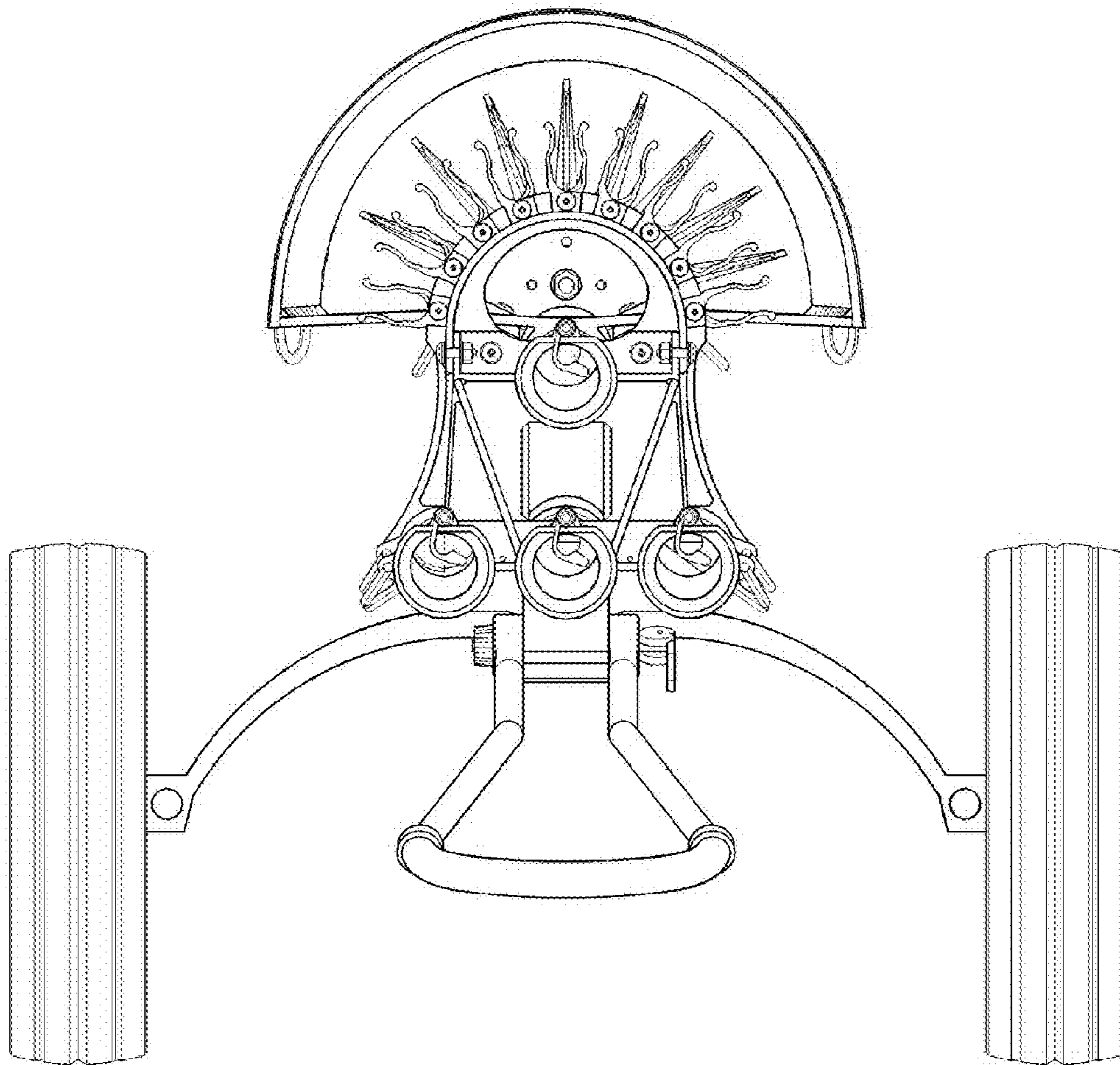


FIG. 15