



US00D714510S

(12) **United States Design Patent**
Yang et al.

(10) **Patent No.:** **US D714,510 S**

(45) **Date of Patent:** **** Sep. 30, 2014**

- (54) **BAG SECURING MEMBER**
- (71) Applicant: **simplehuman, LLC**, Torrance, CA (US)
- (72) Inventors: **Frank Yang**, Rancho Palos Verdes, CA (US); **Di-Fong Chang**, Torrance, CA (US)
- (73) Assignee: **simplehuman, LLC**, Torrance, CA (US)
- (**) Term: **14 Years**

3,820,200 A 6/1974 Myers
 3,825,150 A 7/1974 Taylor
 3,825,215 A 7/1974 Borglum

(Continued)

FOREIGN PATENT DOCUMENTS

AU 622536 4/1992
 CN 201130284559.9 6/2012

(Continued)

OTHER PUBLICATIONS

European Search Report for Application No. EP 10002273, dated Jan. 4, 2011, in 9 pages.

(Continued)

Primary Examiner — Cynthia Ramirez

(74) *Attorney, Agent, or Firm* — Knobbe Martens Olson & Bear LLP

- (21) Appl. No.: **29/447,313**
- (22) Filed: **Mar. 1, 2013**
- (51) **LOC (10) Cl.** **09-09**
- (52) **U.S. Cl.**
USPC **D34/10**
- (58) **Field of Classification Search**
USPC D34/1-11; 220/908, 908.1, 909, 911,
220/495.01, 495.04, 495.05, 495.06,
220/495.07, 495.08

See application file for complete search history.

(57) **CLAIM**

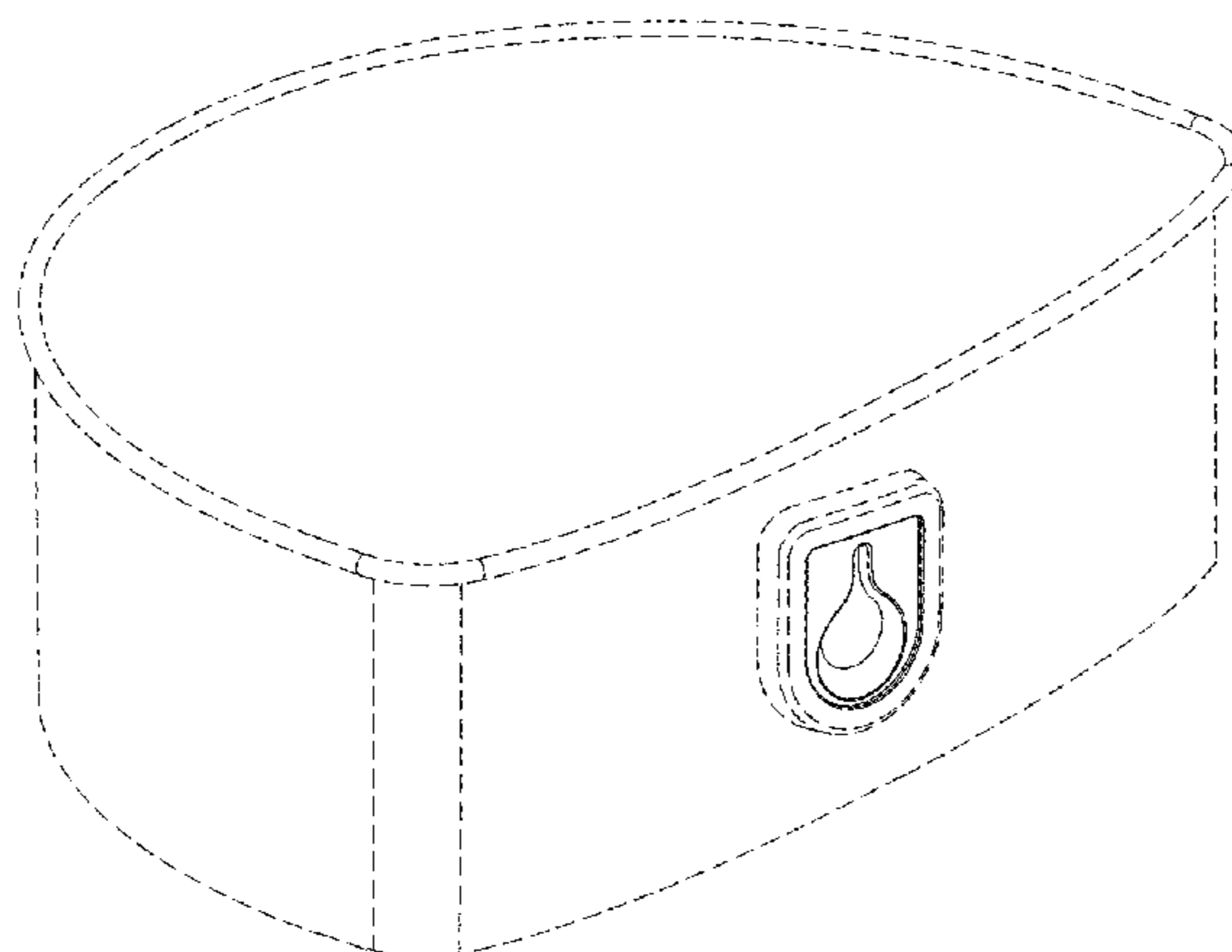
The ornamental design for a bag securing member, as shown and described herein.

DESCRIPTION

FIG. 1 is a top, front, right-side perspective view of a bag securing member embodying our design, the bag securing member being disposed on a frame member;
 FIG. 2 is a top, front, right-side perspective view thereof;
 FIG. 3 is a front elevation view thereof;
 FIG. 4 is a rear elevation view thereof;
 FIG. 5 is a right-side elevation view thereof, the left-side elevation view being a mirror image of the right-side elevation view;
 FIG. 6 is a top plan view thereof; and,
 FIG. 7 is a bottom plan view thereof.
 The broken line showing in FIG. 1 is included for the purpose of illustrating environment and forms no part of the claimed design.

- (56) **References Cited**
- U.S. PATENT DOCUMENTS**
- 1,426,211 A 8/1922 Pausin
- 1,461,253 A 7/1923 Owen
- 1,754,802 A 4/1930 Raster
- 1,820,555 A 8/1931 Buschman
- 1,891,651 A 12/1932 Padelford et al.
- 1,922,729 A 8/1933 Giebel
- 1,980,938 A 11/1934 Geibel
- D148,825 S 2/1948 Snider
- 2,457,274 A 12/1948 Rifken
- 2,759,625 A 8/1956 Ritter
- 2,888,307 A 5/1959 Graves et al.
- 2,946,474 A 7/1960 Knapp
- 3,008,604 A 11/1961 Garner
- 3,023,922 A 3/1962 Arrington et al.
- 3,654,534 A 4/1972 Fischer

1 Claim, 4 Drawing Sheets



(56)

References Cited

U.S. PATENT DOCUMENTS

| | | | | | |
|---------------|---------|-------------------------|--------------|---------|---------------------|
| 3,886,425 A | 5/1975 | Weiss | 5,471,708 A | 12/1995 | Lynch |
| 3,891,115 A | 6/1975 | Ono | 5,474,201 A | 12/1995 | Liu |
| 4,014,457 A | 3/1977 | Hodge | 5,501,358 A | 3/1996 | Hobday |
| 4,027,774 A | 6/1977 | Cote | 5,520,067 A | 5/1996 | Gabas |
| 4,081,105 A | 3/1978 | Dagonnet et al. | 5,531,348 A | 7/1996 | Baker et al. |
| 4,189,808 A | 2/1980 | Brown | 5,535,913 A | 7/1996 | Asbach et al. |
| 4,200,197 A | 4/1980 | Meyer et al. | 5,558,254 A | 9/1996 | Anderson et al. |
| 4,217,616 A | 8/1980 | Jessup | D377,554 S | 1/1997 | Adriaansen |
| 4,303,174 A | 12/1981 | Anderson | 5,611,507 A | 3/1997 | Smith |
| 4,320,851 A | 3/1982 | Montoya | 5,628,424 A | 5/1997 | Gola |
| 4,357,740 A | 11/1982 | Brown | 5,632,401 A | 5/1997 | Hurd |
| 4,416,197 A | 11/1983 | Kehl | 5,636,416 A | 6/1997 | Anderson |
| 4,457,483 A | 7/1984 | Gagne | 5,644,111 A | 7/1997 | Cerny et al. |
| 4,535,911 A | 8/1985 | Goulter | 5,645,186 A | 7/1997 | Powers et al. |
| 4,570,304 A | 2/1986 | Montreuil et al. | 5,650,680 A | 7/1997 | Chula |
| 4,576,310 A | 3/1986 | Isgar et al. | D383,277 S | 9/1997 | Peters |
| D284,320 S | 6/1986 | Kubic et al. | 5,662,235 A | 9/1997 | Nieto |
| 4,609,117 A | 9/1986 | Pamment | 5,690,247 A | 11/1997 | Boover |
| 4,630,332 A | 12/1986 | Bisbing | 5,695,088 A | 12/1997 | Kasbohm |
| 4,664,347 A | 5/1987 | Brown et al. | 5,699,929 A | 12/1997 | Ouno |
| 4,697,312 A | 10/1987 | Freyer | D388,922 S | 1/1998 | Peters |
| 4,711,161 A | 12/1987 | Swin et al. | D389,631 S | 1/1998 | Peters |
| 4,729,490 A | 3/1988 | Ziegenbein | 5,704,511 A | 1/1998 | Kellams |
| 4,753,367 A | 6/1988 | Miller et al. | 5,724,837 A | 3/1998 | Shin |
| 4,763,808 A | 8/1988 | Guhl et al. | 5,730,312 A | 3/1998 | Hung |
| 4,765,548 A | 8/1988 | Sing | 5,732,845 A | 3/1998 | Armaly, Jr. |
| 4,765,579 A | 8/1988 | Robbins et al. | 5,735,495 A | 4/1998 | Kubota |
| 4,792,039 A | 12/1988 | Dayton | 5,738,239 A | 4/1998 | Triglia |
| 4,794,973 A | 1/1989 | Perisic | 5,799,909 A | 9/1998 | Ziegler |
| 4,834,260 A | 5/1989 | Auten | 5,816,431 A | 10/1998 | Giannopoulos |
| 4,867,339 A | 9/1989 | Hahn | 5,816,640 A | 10/1998 | Nishimura |
| 4,884,717 A | 12/1989 | Bussard et al. | D401,383 S * | 11/1998 | Gish D34/1 |
| 4,892,223 A * | 1/1990 | DeMent 229/117.35 | D401,719 S | 11/1998 | Van Leeuwen et al. |
| 4,892,224 A | 1/1990 | Graham | 5,873,643 A | 2/1999 | Burgess, Jr. et al. |
| 4,913,308 A | 4/1990 | Culbertson | 5,881,896 A | 3/1999 | Presnell et al. |
| 4,918,568 A | 4/1990 | Stone et al. | 5,881,901 A | 3/1999 | Hampton |
| D308,272 S * | 5/1990 | Koepsell D34/6 | 5,884,237 A | 3/1999 | Kanki et al. |
| 4,923,087 A | 5/1990 | Burrows | 5,887,748 A | 3/1999 | Nguyen |
| 4,948,004 A | 8/1990 | Chich | 5,967,392 A | 10/1999 | Niemi et al. |
| 4,964,523 A | 10/1990 | Bieltvedt et al. | 5,987,708 A | 11/1999 | Newton |
| 4,972,966 A | 11/1990 | Craft, Jr. | 6,000,569 A | 12/1999 | Liu |
| 4,996,467 A | 2/1991 | Day | 6,010,024 A | 1/2000 | Wang |
| 5,031,793 A | 7/1991 | Chen et al. | 6,024,238 A | 2/2000 | Jaros |
| 5,054,724 A | 10/1991 | Hutcheson | 6,036,050 A | 3/2000 | Ruane |
| 5,065,272 A | 11/1991 | Owen et al. | 6,102,239 A | 8/2000 | Wien |
| 5,065,891 A | 11/1991 | Casey | 6,123,215 A | 9/2000 | Windle |
| D323,573 S * | 1/1992 | Schneider D34/1 | D431,700 S | 10/2000 | Roudebush |
| 5,090,785 A | 2/1992 | Stamp | 6,126,031 A | 10/2000 | Reason |
| 5,100,087 A | 3/1992 | Ashby | 6,129,233 A | 10/2000 | Schiller |
| 5,111,958 A | 5/1992 | Witthoeft | D435,951 S | 1/2001 | Yang et al. |
| D327,760 S | 7/1992 | Donnelly | 6,209,744 B1 | 4/2001 | Gill |
| D329,929 S | 9/1992 | Knoedler et al. | 6,211,637 B1 | 4/2001 | Studer |
| 5,147,055 A | 9/1992 | Sampson et al. | 6,234,339 B1 | 5/2001 | Thomasd |
| 5,156,290 A | 10/1992 | Rodrigues | 6,250,492 B1 | 6/2001 | Verbeek |
| 5,170,904 A | 12/1992 | Neuhaus | D445,980 S | 7/2001 | Tjugum |
| 5,174,462 A | 12/1992 | Hames | 6,286,706 B1 | 9/2001 | Tucker |
| D335,562 S | 5/1993 | Evans | 6,328,320 B1 | 12/2001 | Walski et al. |
| 5,213,272 A | 5/1993 | Gallagher et al. | 6,345,725 B1 | 2/2002 | Lin |
| 5,222,704 A | 6/1993 | Light | 6,364,147 B1 | 4/2002 | Meinzinger et al. |
| D337,181 S * | 7/1993 | Warman D30/121 | 6,386,386 B1 | 5/2002 | George |
| 5,226,558 A | 7/1993 | Whitney et al. | 6,390,321 B1 | 5/2002 | Wang |
| 5,230,525 A | 7/1993 | Delmerico et al. | 6,401,958 B1 | 6/2002 | Foss et al. |
| 5,242,074 A | 9/1993 | Conaway et al. | 6,519,130 B1 | 2/2003 | Breslow |
| D340,333 S | 10/1993 | Duran et al. | 6,557,716 B1 | 5/2003 | Chan |
| 5,249,693 A | 10/1993 | Gillispie et al. | 6,596,983 B2 | 7/2003 | Brent |
| 5,261,553 A | 11/1993 | Mueller et al. | 6,626,316 B2 | 9/2003 | Yang |
| 5,314,151 A | 5/1994 | Carter-Mann | 6,626,317 B2 | 9/2003 | Pfiefer et al. |
| 5,322,179 A | 6/1994 | Ting | D482,169 S | 11/2003 | Lin |
| 5,348,222 A | 9/1994 | Patey | 6,659,407 B2 | 12/2003 | Asaro |
| 5,381,588 A | 1/1995 | Nelson | 6,681,950 B2 | 1/2004 | Miller, Jr. et al. |
| 5,385,258 A | 1/1995 | Sutherlin | D488,604 S | 4/2004 | Yang et al. |
| 5,390,818 A | 2/1995 | LaBuda | D488,903 S | 4/2004 | Yang et al. |
| 5,404,621 A | 4/1995 | Heinke | D489,503 S | 5/2004 | Lin |
| 5,407,089 A | 4/1995 | Bird et al. | D489,857 S | 5/2004 | Yang et al. |
| 5,419,452 A | 5/1995 | Mueller et al. | D490,583 S | 5/2004 | Yang et al. |
| | | | D490,954 S | 6/2004 | Brand |
| | | | D491,706 S | 6/2004 | Yang et al. |
| | | | 6,758,366 B2 | 7/2004 | Bourgund et al. |
| | | | D493,930 S | 8/2004 | Wang |

(56)

References Cited

U.S. PATENT DOCUMENTS

| | | | | | | |
|----------------|---------|---------------------|-----------------|---------|---------------------|------------|
| D494,723 S | 8/2004 | Lin | 7,559,433 B2 | 7/2009 | Yang et al. | |
| 6,812,655 B1 | 11/2004 | Wang et al. | D599,074 S * | 8/2009 | Bizzell et al. | D34/10 |
| 6,814,249 B2 | 11/2004 | Lin | D603,119 S | 10/2009 | Yang et al. | |
| D499,450 S * | 12/2004 | Goodman et al. | 7,607,552 B2 | 10/2009 | Efstathiou | |
| 6,837,393 B1 | 1/2005 | Kuo | 7,656,109 B2 | 2/2010 | Yang et al. | |
| 6,857,538 B2 | 2/2005 | Lin | D611,216 S | 3/2010 | Yang et al. | |
| 6,859,005 B2 | 2/2005 | Boliver | D611,217 S * | 3/2010 | Bizzell et al. | D34/10 |
| D503,021 S | 3/2005 | Yang et al. | D611,671 S | 3/2010 | Yang et al. | |
| 6,866,826 B2 | 3/2005 | Moore et al. | 7,694,838 B2 | 4/2010 | Yang et al. | |
| 6,883,676 B2 | 4/2005 | Lin | 7,703,622 B1 | 4/2010 | Bynoe | |
| D507,090 S | 7/2005 | Yang et al. | D615,722 S | 5/2010 | Yang et al. | |
| 6,920,994 B2 | 7/2005 | Lin | 7,748,556 B2 | 7/2010 | Yang et al. | |
| D513,445 S | 1/2006 | Lin | 7,781,995 B2 | 8/2010 | Yang et al. | |
| 6,981,606 B2 | 1/2006 | Yang et al. | 7,806,285 B2 | 10/2010 | Yang et al. | |
| D517,764 S | 3/2006 | Wang | D631,221 S | 1/2011 | Yang et al. | |
| D517,767 S | 3/2006 | Yang et al. | D632,864 S | 2/2011 | Yang et al. | |
| D518,266 S | 3/2006 | Yang et al. | D634,911 S | 3/2011 | Yang et al. | |
| 7,017,773 B2 | 3/2006 | Gruber et al. | 7,896,187 B2 | 3/2011 | Haibel | |
| 7,044,323 B2 | 5/2006 | Yang | 7,922,024 B2 | 4/2011 | Yang et al. | |
| D525,756 S | 7/2006 | Yang et al. | 7,950,543 B2 | 5/2011 | Yang et al. | |
| 7,077,283 B2 | 7/2006 | Yang et al. | D644,390 S | 8/2011 | Smeets et al. | |
| 7,080,750 B2 | 7/2006 | Wein et al. | D649,728 S * | 11/2011 | Campbell | D34/1 |
| 7,086,550 B2 | 8/2006 | Yang et al. | 8,074,833 B2 | 12/2011 | Yang et al. | |
| D528,726 S | 9/2006 | Lin | 8,136,688 B2 | 3/2012 | Lee et al. | |
| 7,121,421 B2 | 10/2006 | Yang et al. | D657,108 S | 4/2012 | Yang et al. | |
| D531,499 S * | 11/2006 | Zaidman | D657,109 S | 4/2012 | Liao | |
| D535,799 S | 1/2007 | Epps | D672,520 S | 12/2012 | Yang et al. | |
| D535,800 S | 1/2007 | Yang et al. | D675,802 S | 2/2013 | Yang et al. | |
| D537,223 S | 2/2007 | Lin | D675,803 S | 2/2013 | Yang et al. | |
| D537,599 S | 2/2007 | Lin | 8,418,869 B2 | 4/2013 | Yang et al. | |
| D537,601 S | 2/2007 | Lin | 8,672,171 B2 * | 3/2014 | Wynn et al. | 220/495.11 |
| D537,999 S | 3/2007 | Lin | 2001/0002690 A1 | 6/2001 | Rosky | |
| D538,995 S | 3/2007 | Lin | 2001/0020619 A1 | 9/2001 | Pfeifer et al. | |
| D539,498 S | 3/2007 | Yang et al. | 2002/0079315 A1 | 6/2002 | Yang | |
| D539,499 S | 3/2007 | Yang et al. | 2002/0092853 A1 | 7/2002 | Wang | |
| D540,001 S | 4/2007 | Zimmerman | 2002/0096524 A1 | 7/2002 | Hardesty | |
| D542,001 S | 5/2007 | Yang et al. | 2002/0104266 A1 | 8/2002 | Ranaudo | |
| D542,995 S | 5/2007 | Lin | 2003/0089719 A1 | 5/2003 | Berger | |
| D544,170 S | 6/2007 | Lin | 2003/0201265 A1 | 10/2003 | Lin | |
| D544,171 S | 6/2007 | Lin | 2003/0201267 A1 | 10/2003 | Yang et al. | |
| D544,671 S | 6/2007 | Saunders et al. | 2003/0230576 A1 | 12/2003 | Lin | |
| D545,024 S | 6/2007 | Liao | 2004/0004080 A1 | 1/2004 | Yang et al. | |
| 7,225,943 B2 | 6/2007 | Yang et al. | 2004/0016756 A1 | 1/2004 | Lin | |
| D547,020 S | 7/2007 | Chen | 2004/0020927 A1 | 2/2004 | Yang et al. | |
| 7,243,811 B1 | 7/2007 | Ramsey | 2004/0134924 A1 | 7/2004 | Hansen et al. | |
| D550,918 S | 9/2007 | Wang et al. | 2004/0140782 A1 | 7/2004 | Okabe et al. | |
| D552,319 S * | 10/2007 | Gusdorf | 2004/0164077 A1 | 8/2004 | Kuo | |
| D552,321 S | 10/2007 | Yang et al. | 2004/0174268 A1 | 9/2004 | Scott et al. | |
| D552,823 S | 10/2007 | Yang et al. | 2004/0175303 A1 | 9/2004 | Lin | |
| D552,824 S | 10/2007 | Zimmerman | 2004/0200938 A1 | 10/2004 | Forlivio | |
| D552,825 S | 10/2007 | Yang et al. | 2004/0206758 A1 | 10/2004 | Lin | |
| D559,494 S | 1/2008 | Yang et al. | 2004/0206760 A1 | 10/2004 | Gagnebin | |
| D559,495 S | 1/2008 | Yang et al. | 2004/0251746 A1 | 12/2004 | Ichimaru et al. | |
| D564,169 S | 3/2008 | Wang | 2005/0017006 A1 | 1/2005 | Kuo | |
| D566,367 S | 4/2008 | Lin | 2005/0017010 A1 | 1/2005 | Siegel et al. | |
| D566,369 S | 4/2008 | Shek | 2005/0103788 A1 | 5/2005 | Yang et al. | |
| D566,923 S | 4/2008 | Lin | 2005/0133506 A1 | 6/2005 | Yang et al. | |
| D568,572 S * | 5/2008 | Yang et al. | 2005/0230396 A1 | 10/2005 | Yang et al. | |
| 7,374,060 B2 | 5/2008 | Yang et al. | 2005/0230397 A1 | 10/2005 | Yang et al. | |
| D571,520 S | 6/2008 | Lin | 2005/0258794 A1 | 11/2005 | Fukuizumi | |
| 7,398,913 B2 * | 7/2008 | McClure | 2005/0284870 A1 | 12/2005 | Yang et al. | |
| 7,404,499 B1 | 7/2008 | Ramsey | 2006/0027579 A1 | 2/2006 | Yang et al. | |
| D576,371 S | 9/2008 | Zimmerman | 2006/0056741 A1 | 3/2006 | Yang et al. | |
| D578,265 S * | 10/2008 | Presnell | 2006/0175336 A1 | 8/2006 | Wang | |
| D578,266 S | 10/2008 | Yang et al. | 2006/0186121 A1 | 8/2006 | Yang et al. | |
| D578,722 S | 10/2008 | Yang et al. | 2006/0196874 A1 | 9/2006 | Yang | |
| 7,438,199 B1 | 10/2008 | Tidrick | 2006/0213910 A1 | 9/2006 | Yang et al. | |
| D580,120 S | 11/2008 | Lin | 2006/0226149 A1 | 10/2006 | Yang et al. | |
| D580,613 S | 11/2008 | Yang et al. | 2006/0249510 A1 | 11/2006 | Lin | |
| D580,615 S | 11/2008 | Yang et al. | 2006/0255033 A1 | 11/2006 | Yang et al. | |
| D584,470 S * | 1/2009 | Bizzell et al. | 2006/0261071 A1 | 11/2006 | Yang et al. | |
| D585,171 S * | 1/2009 | Bizzell et al. | 2007/0012699 A1 | 1/2007 | Yang et al. | |
| D585,618 S | 1/2009 | Yang et al. | 2007/0029323 A1 | 2/2007 | Yang et al. | |
| 7,494,021 B2 | 2/2009 | Yang et al. | 2007/0034334 A1 | 2/2007 | Ramsey et al. | |
| 7,540,396 B2 | 6/2009 | Yang et al. | 2007/0090112 A1 | 4/2007 | Kalman et al. | |
| | | | 2007/0114847 A1 | 5/2007 | Ichimaru et al. | |
| | | | 2007/0181579 A1 | 8/2007 | Kuo et al. | |
| | | | 2007/0182551 A1 | 8/2007 | Yang et al. | |
| | | | 2007/0205195 A1 | 9/2007 | Yang et al. | |

(56)

References Cited

U.S. PATENT DOCUMENTS

2007/0241109 A1 10/2007 Lin
 2007/0266637 A1 11/2007 McGowan
 2007/0272691 A1 11/2007 Wang et al.
 2007/0289972 A1 12/2007 Wynn et al.
 2008/0011754 A1 1/2008 Ramsey
 2008/0011910 A1 1/2008 Ramsey
 2008/0083756 A1 4/2008 Daniels
 2008/0164257 A1 7/2008 Boll et al.
 2008/0236275 A1 10/2008 Breed et al.
 2008/0237234 A1 10/2008 Yang et al.
 2008/0257889 A1 10/2008 Kovacevich et al.
 2008/0257890 A1 10/2008 Kovacevich et al.
 2008/0257891 A1 10/2008 Kovacevich et al.
 2008/0264948 A1 10/2008 Kovacevich et al.
 2008/0264950 A1 10/2008 Kovacevich et al.
 2008/0272119 A1 11/2008 Efstathiou
 2008/0272127 A1 11/2008 Kovacevich et al.
 2009/0084788 A1 4/2009 Yang et al.
 2009/0194532 A1 8/2009 Yang et al.
 2009/0230131 A1 9/2009 McDuffie et al.
 2010/0006572 A1 1/2010 Chiou
 2010/0224627 A1 9/2010 Yang et al.
 2010/0237074 A1 9/2010 Yang et al.
 2010/0252557 A1* 10/2010 Clements 220/495.06
 2011/0220646 A1 9/2011 Yang et al.
 2011/0220647 A1 9/2011 Yang et al.
 2011/0220648 A1 9/2011 Yang et al.
 2011/0220655 A1 9/2011 Yang et al.
 2011/0272409 A1* 11/2011 Kasbohm 220/495.11

FOREIGN PATENT DOCUMENTS

DE 1610087 6/1950
 DE 1283741 7/1966
 DE 8436939 3/1985
 DE 9108341 10/1991
 DE 4225936 A1 2/1994
 DE 19525885 3/1997
 DE 19809331 5/1999
 DE 29918687 3/2000

DE 19933180 1/2001
 DE 10148997 4/2003
 DE 20217561 3/2004
 EP 0582240 7/1993
 EP 0906876 4/1999
 EP 1094017 B1 3/2003
 EP 1361176 11/2003
 EP 1136393 4/2004
 EP 1686073 8/2006
 FR 2887152 12/2006
 GB 191004921 6/1910
 GB 2384418 7/2003
 JP 02 152670 6/1990
 JP 06-272888 9/1994
 JP D1300450 5/2007
 JP D1300451 5/2007
 KR 3003841370000 6/2005
 KR 3004095430000 3/2006
 KR 3004095430001 7/2006
 NL 6908550 12/1970
 TW D112733 9/2006
 TW D133382 2/2010
 TW D147147 5/2012
 WO WO 92/02430 2/1992
 WO WO 2006-079263 8/2006
 WO WO 2009/114495 9/2009

OTHER PUBLICATIONS

European Search Report for European Application No. EP 06010394, dated Aug. 24, 2006, in 1 page.
 Partial European Search Report for Application No. EP 10002273, dated Jul. 2, 2010, in 4 pages.
 Search Report for Taiwan Design Patent Application No. 097304453, dated Apr. 22, 2009.
 Search Report for Taiwan Design Patent Application No. 099304439, dated Jul. 1, 2011, in 1 page.
 Trento Corner 23 Trash Can, Hailo product brochure, http://www.hailo.de/html/default.asp?site=12_71_107&lang=en.
 U.S. Appl. No. 13/417,084.

* cited by examiner

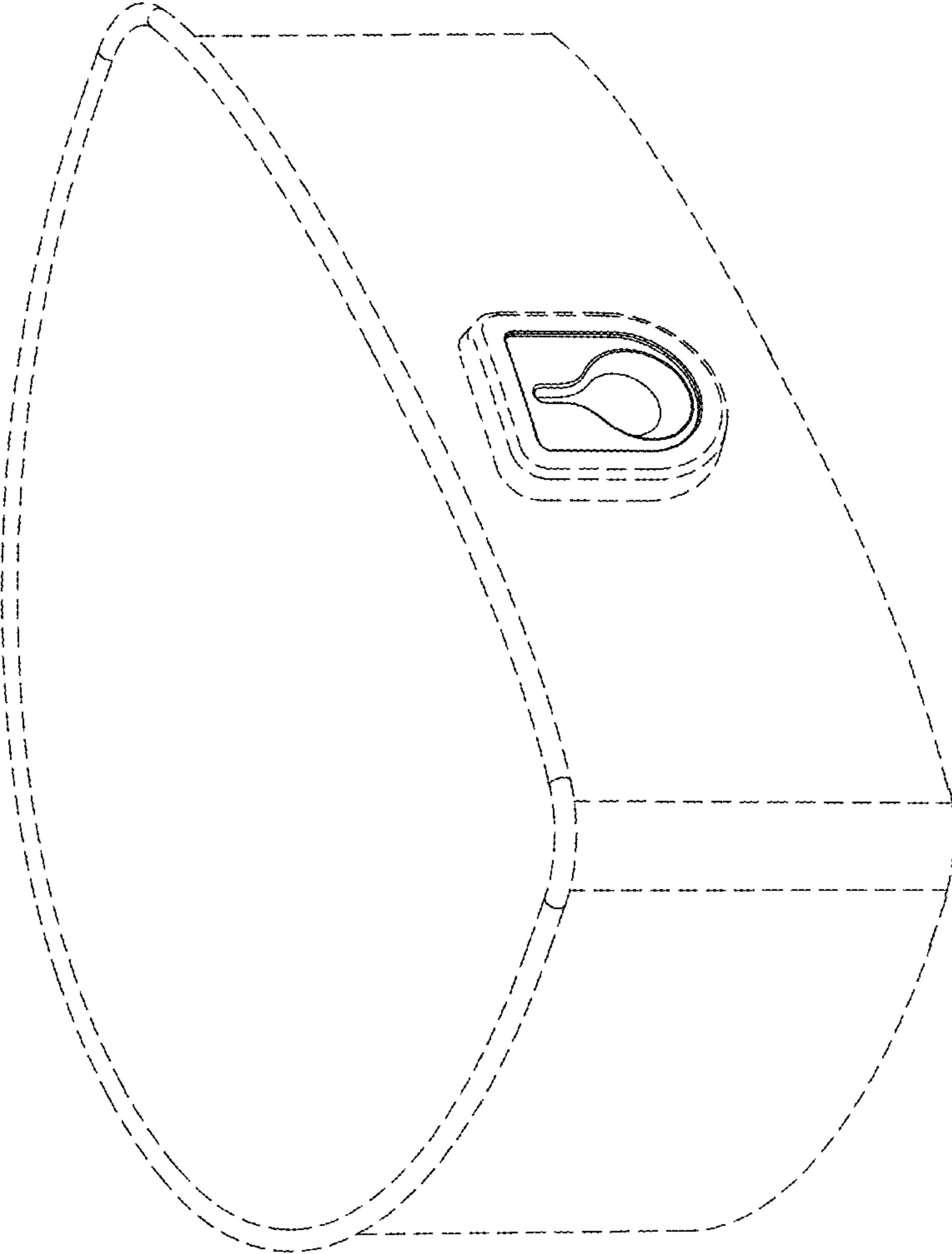


FIG. 1

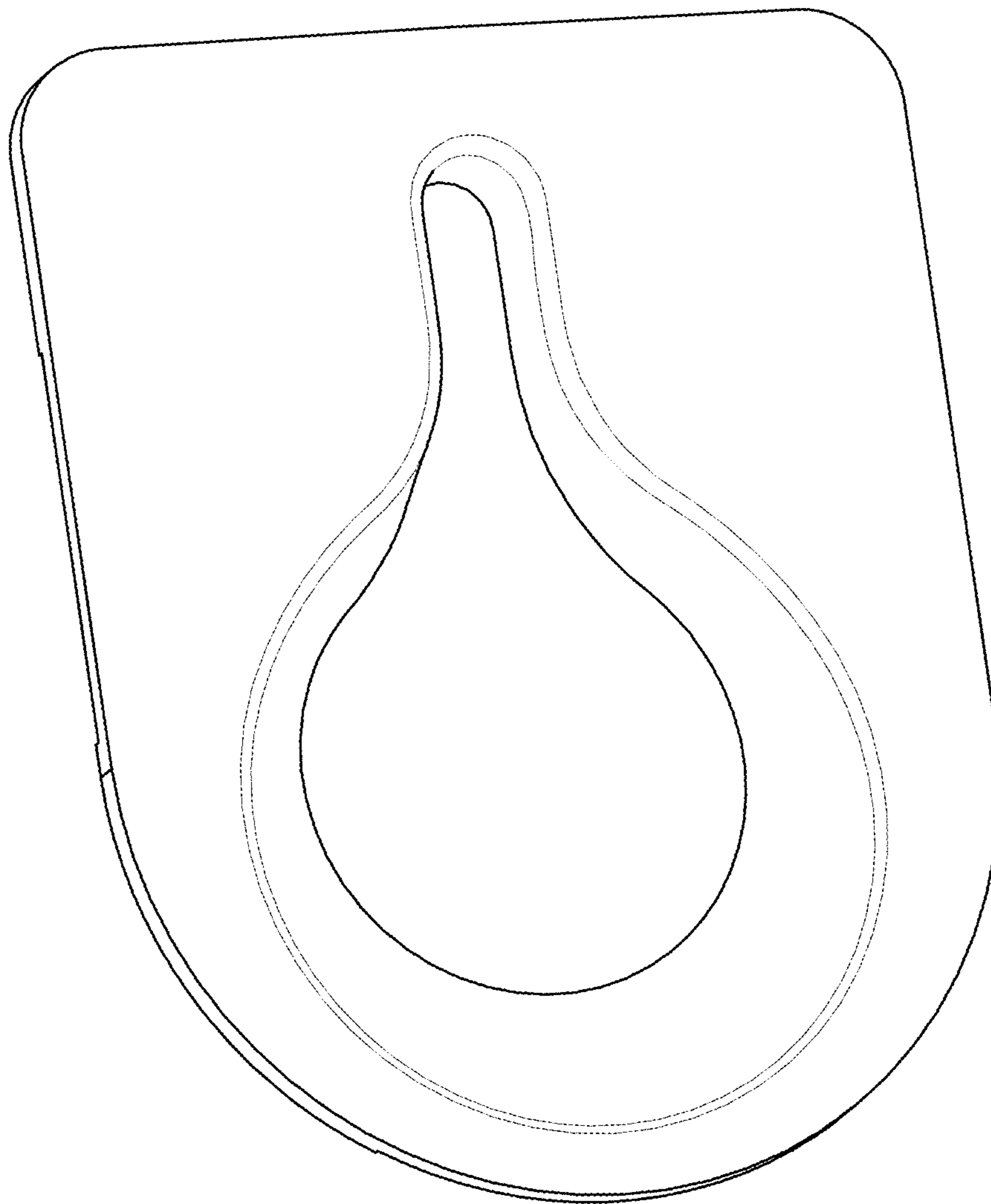


FIG. 2

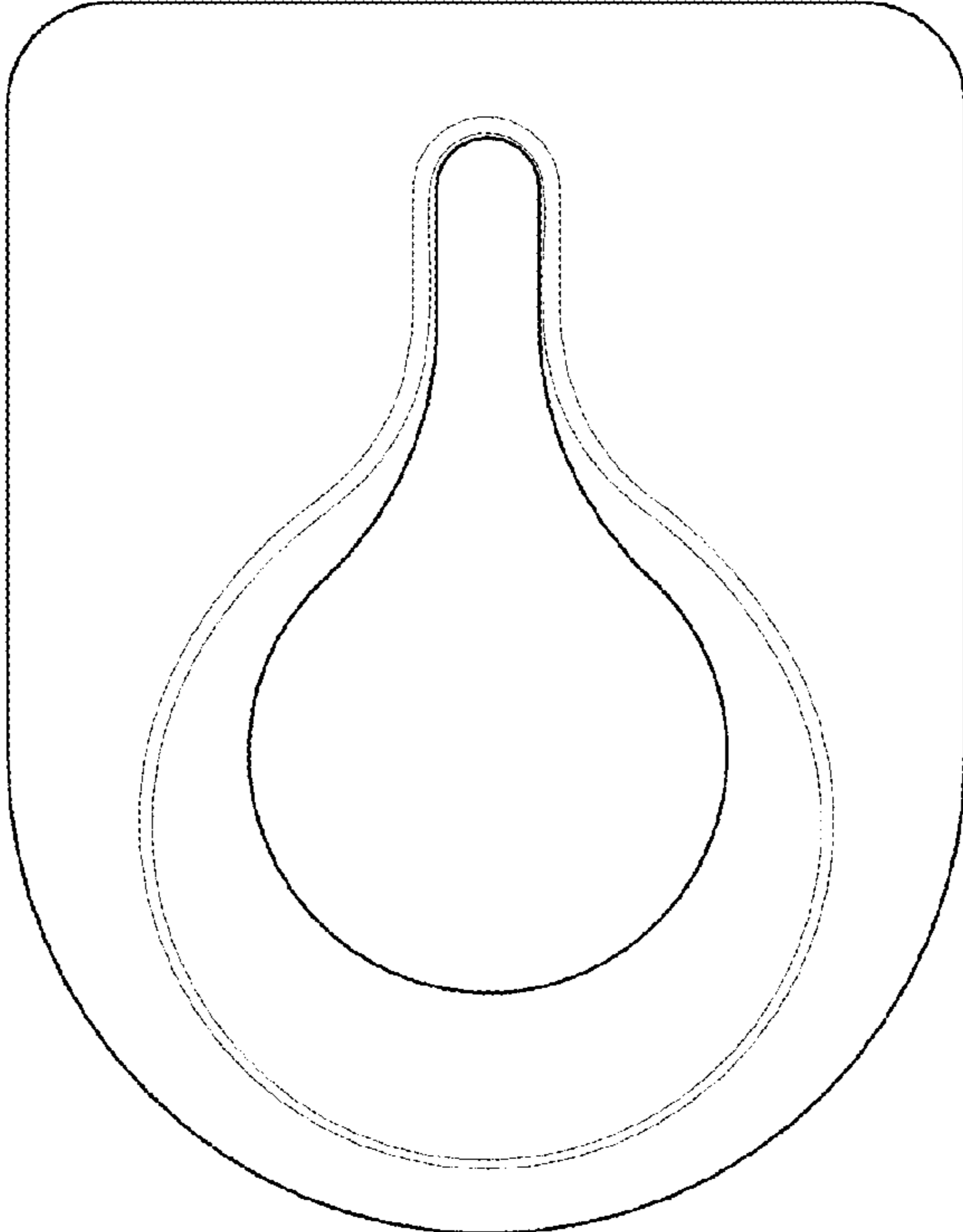


FIG. 3

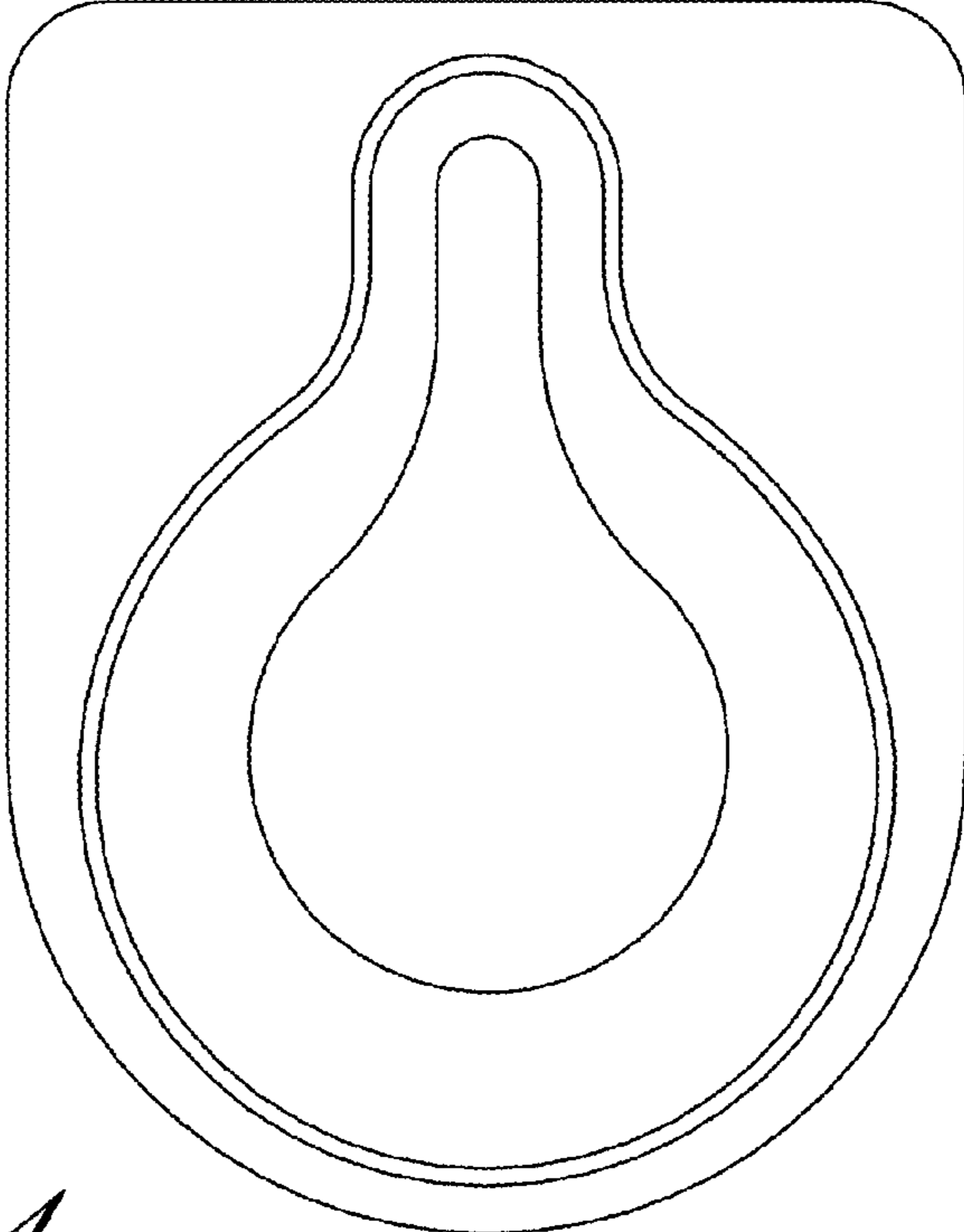


FIG. 4

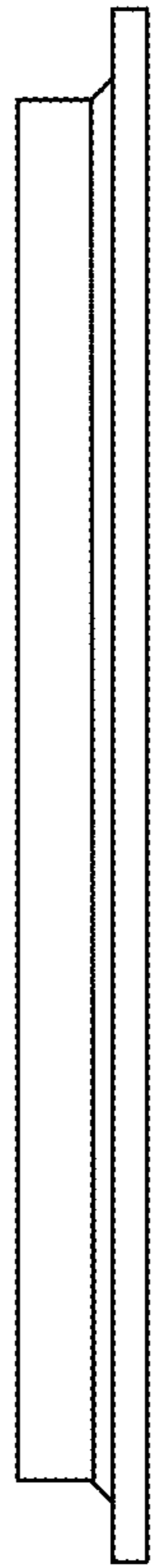


FIG. 5

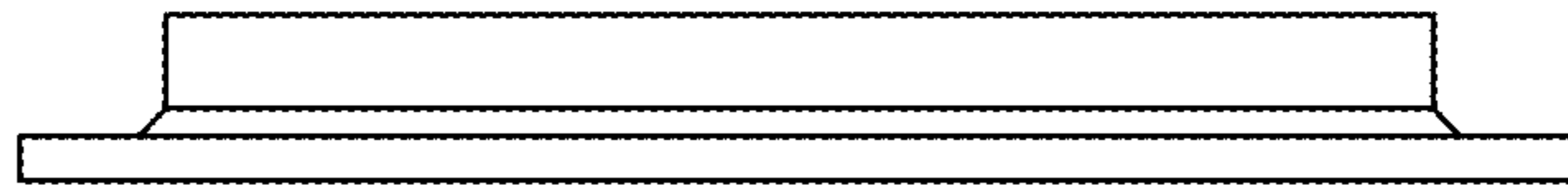


FIG. 6

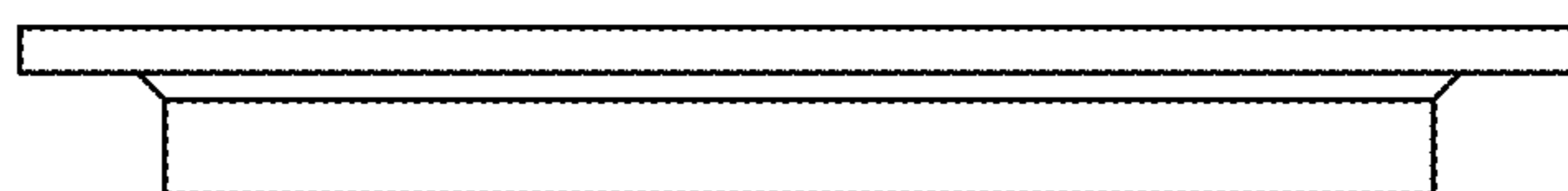


FIG. 7