



US00D714505S

(12) **United States Design Patent**
Hughes et al.

(10) **Patent No.:** **US D714,505 S**

(45) **Date of Patent:** **** Sep. 30, 2014**

(54) **SCRUBBING DEVICE**

(71) Applicant: **Euro-Pro Operating LLC**, Newton,
MA (US)

(72) Inventors: **William Scott Hughes**, Waltham, MA
(US); **Kai Xu**, Suzhou (CN)

(73) Assignee: **Euro-Pro Operating LLC**, Newton,
MA (US)

(**) Term: **14 Years**

(21) Appl. No.: **29/447,335**

(22) Filed: **Mar. 1, 2013**

(51) **LOC (10) Cl.** **04-01**

(52) **U.S. Cl.**
USPC **D32/40**

(58) **Field of Classification Search**
USPC D32/40-43, 46, 49; 15/208,
15/244.1-244.4, 209.1, 236.01

See application file for complete search history.

(56) **References Cited**

U.S. PATENT DOCUMENTS

3,374,498 A *	3/1968	Bailey	15/119.2
D250,229 S *	11/1978	Werner	D4/127
D334,095 S *	3/1993	Beets et al.	D4/102
D678,636 S *	3/2013	Ervin-Watson	D32/32

* cited by examiner

Primary Examiner — Robin V Webster

(74) *Attorney, Agent, or Firm* — Wolf, Greenfield & Sacks,
P.C.

(57) **CLAIM**

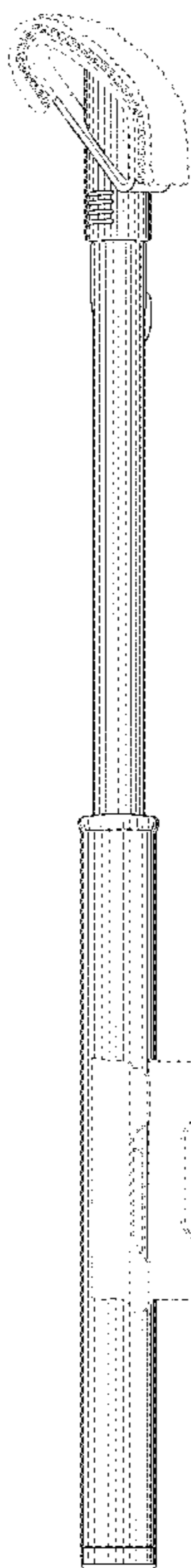
The ornamental design for a scrubbing device, as shown and described.

DESCRIPTION

FIG. 1 is a rear, right side perspective view of a scrubbing device showing our new design; FIG. 2 is a left side elevational view thereof; FIG. 3 is a right side elevational view thereof; FIG. 4 is a front elevational view thereof; FIG. 5 is a rear elevational view thereof; FIG. 6 is a bottom plan view thereof; and, FIG. 7 is a top plan view thereof.

The broken lines of FIGS. 1-7 illustrate portions of the scrubbing device that form no part of the claimed design.

1 Claim, 3 Drawing Sheets



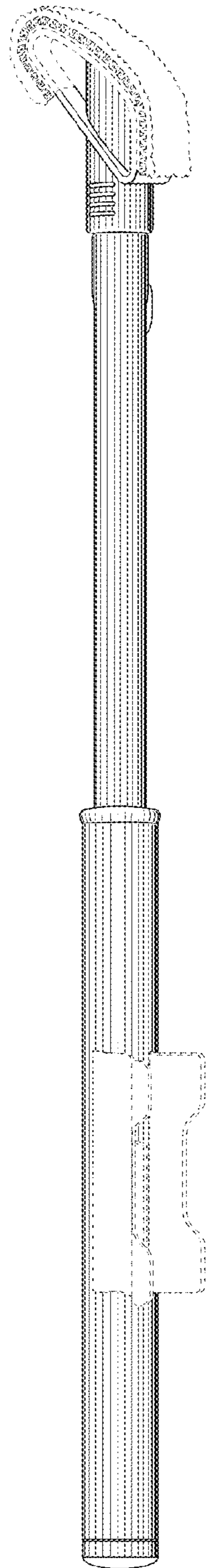


FIG. 1

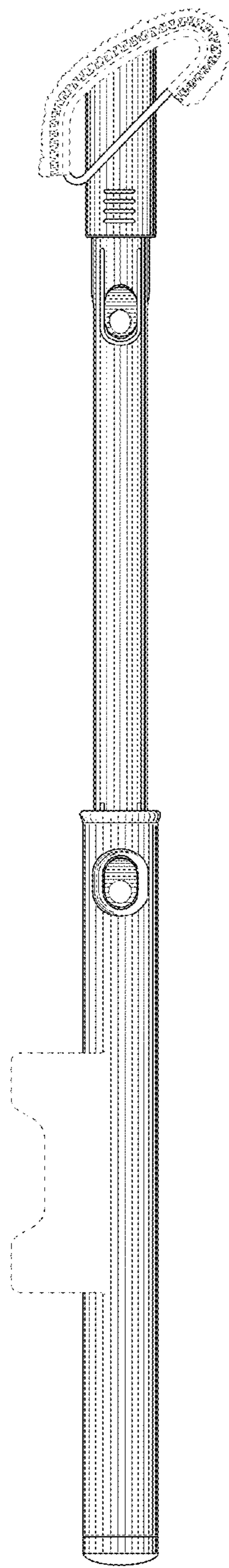


FIG. 2

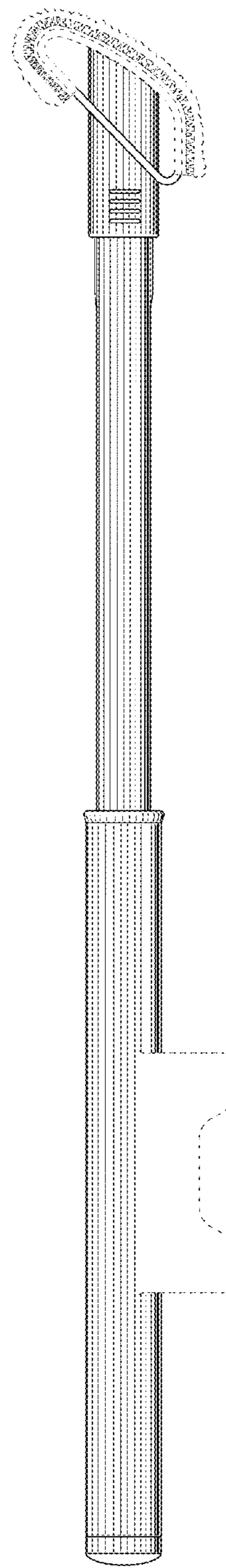


FIG. 3

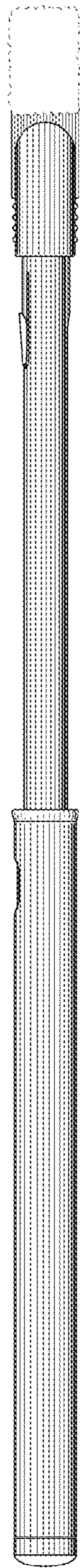


FIG. 4

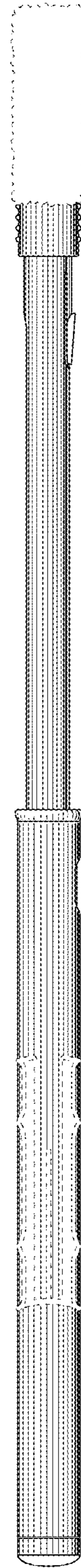


FIG. 5

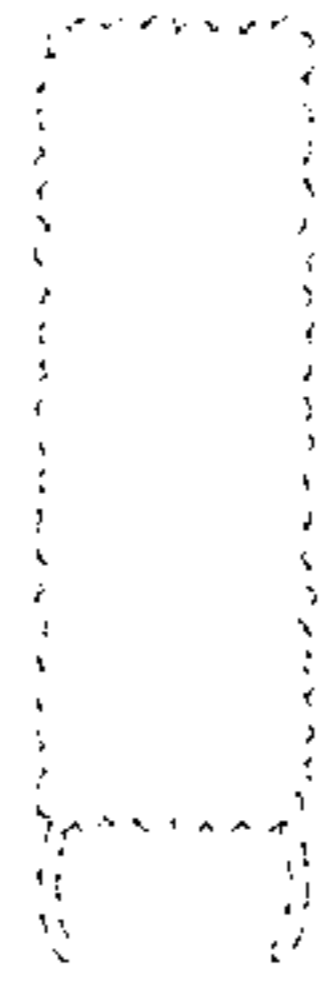


FIG. 6

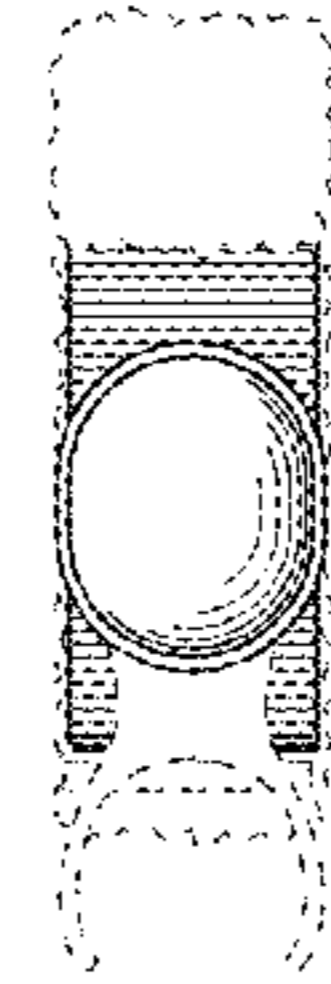


FIG. 7