



US00D714504S

(12) **United States Design Patent**
Gottschall et al.

(10) **Patent No.:** **US D714,504 S**

(45) **Date of Patent:** **** Sep. 30, 2014**

(54) **VACUUM CLEANER**

(71) Applicant: **Shop Vac Corporation**, Williamsport, PA (US)

(72) Inventors: **Jason Gottschall**, South Williamsport, PA (US); **Robert Lent Crevling, Jr.**, Williamsport, PA (US); **Melvin E. Wolfe, Jr.**, Johnson City, NY (US); **John Griffin**, Phoenix, AZ (US); **Kevin D. Fry**, South Williamsport, PA (US)

(73) Assignee: **Shop Vac Corporation**, Williamsport, PA (US)

(**) Term: **14 Years**

(21) Appl. No.: **29/470,481**

(22) Filed: **Oct. 22, 2013**

(51) **LOC (10) Cl.** **15-05**

(52) **U.S. Cl.**
USPC **D32/31**

(58) **Field of Classification Search**
USPC D32/21, 23-24, 31; 15/320-321, 340.2, 15/353, 412, 339, 327.1, 327.6, 327.7
See application file for complete search history.

(56) **References Cited**

U.S. PATENT DOCUMENTS

D527,504 S *	8/2006	Griffin et al.	D32/21
D568,562 S *	5/2008	Griffin et al.	D32/23
D587,414 S *	2/2009	Griffin et al.	D32/31
D672,929 S *	12/2012	Gottschall et al.	D32/31
D683,090 S *	5/2013	Griffin et al.	D32/23
D683,091 S *	5/2013	Griffin et al.	D32/23
D691,339 S *	10/2013	Griffin et al.	D32/31
2013/0009371 A1 *	1/2013	Martinez	280/79.2

* cited by examiner

Primary Examiner — Ruth McInroy

(74) *Attorney, Agent, or Firm* — Marshall, Gerstein & Borun LLP

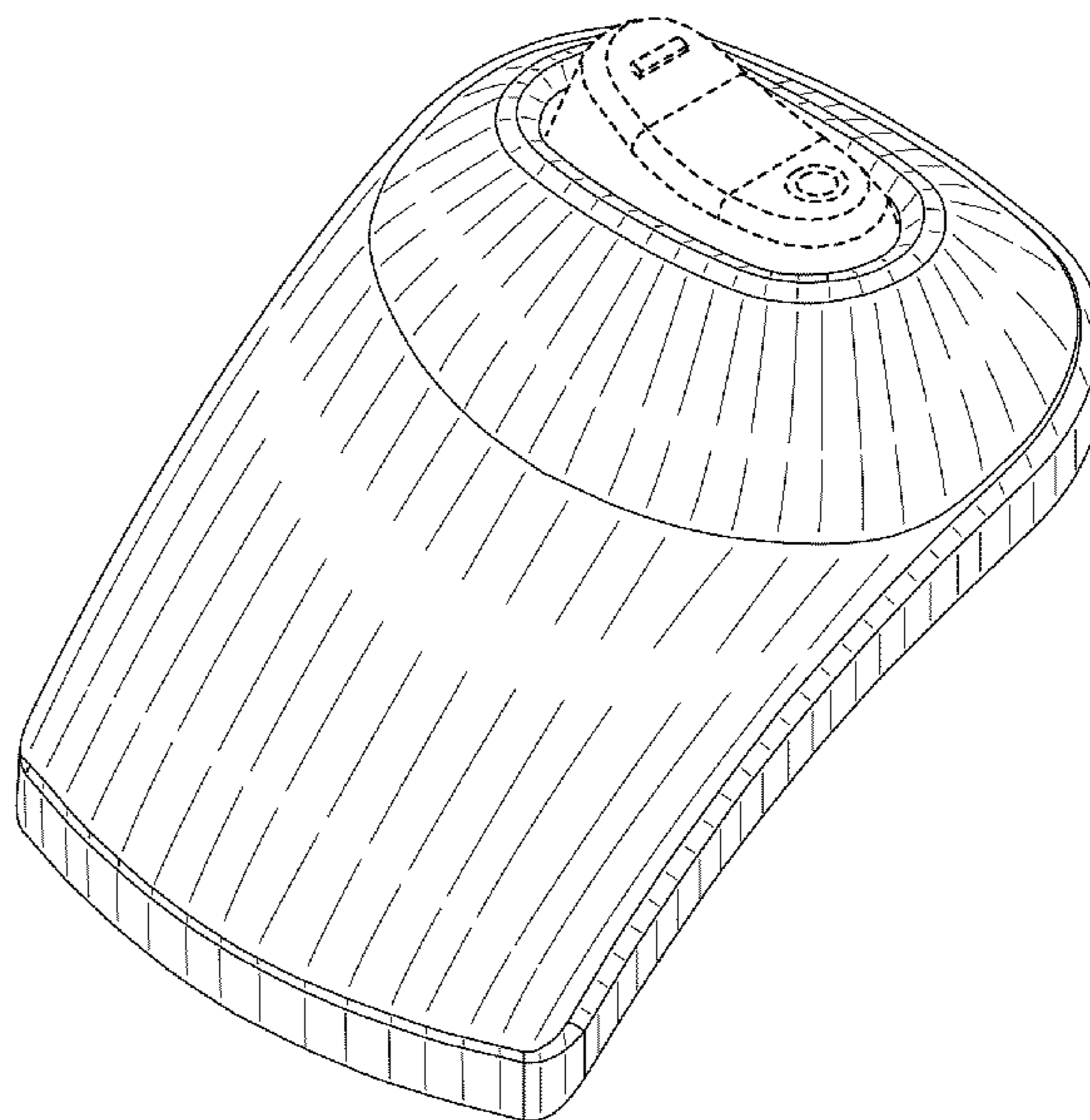
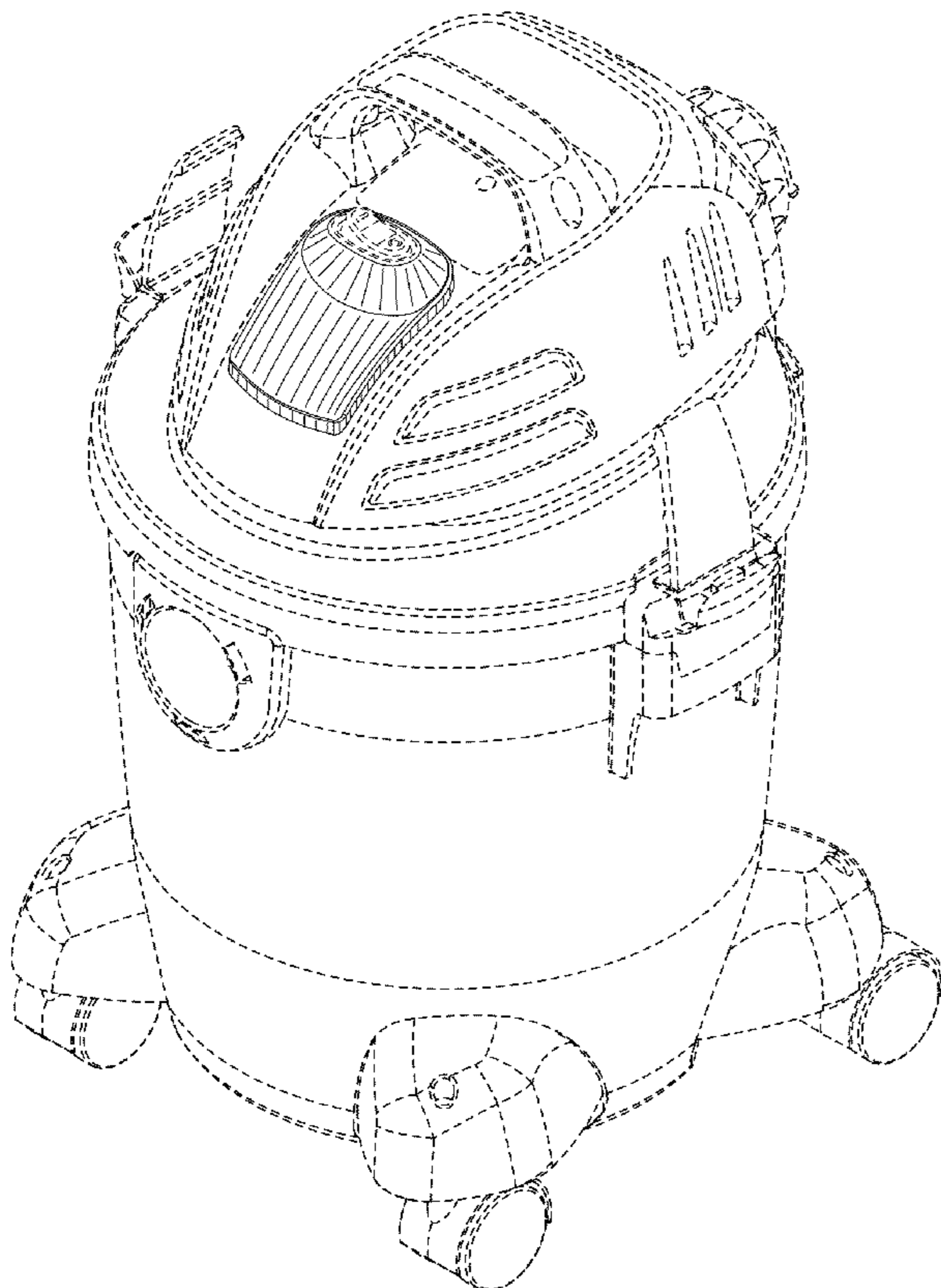
(57) **CLAIM**

We claim the ornamental design for a vacuum cleaner, as shown and described.

DESCRIPTION

FIG. 1 is a top, front and right side isometric view of a vacuum cleaner showing our new design;
FIG. 2 is an enlarged isometric view thereof;
FIG. 3 is an enlarged front elevation view thereof; and,
FIG. 4 is an enlarged right side elevation view thereof, the left side being a mirror image.
The broken lines show elements of the vacuum cleaner that form no part of the claimed design.

1 Claim, 4 Drawing Sheets



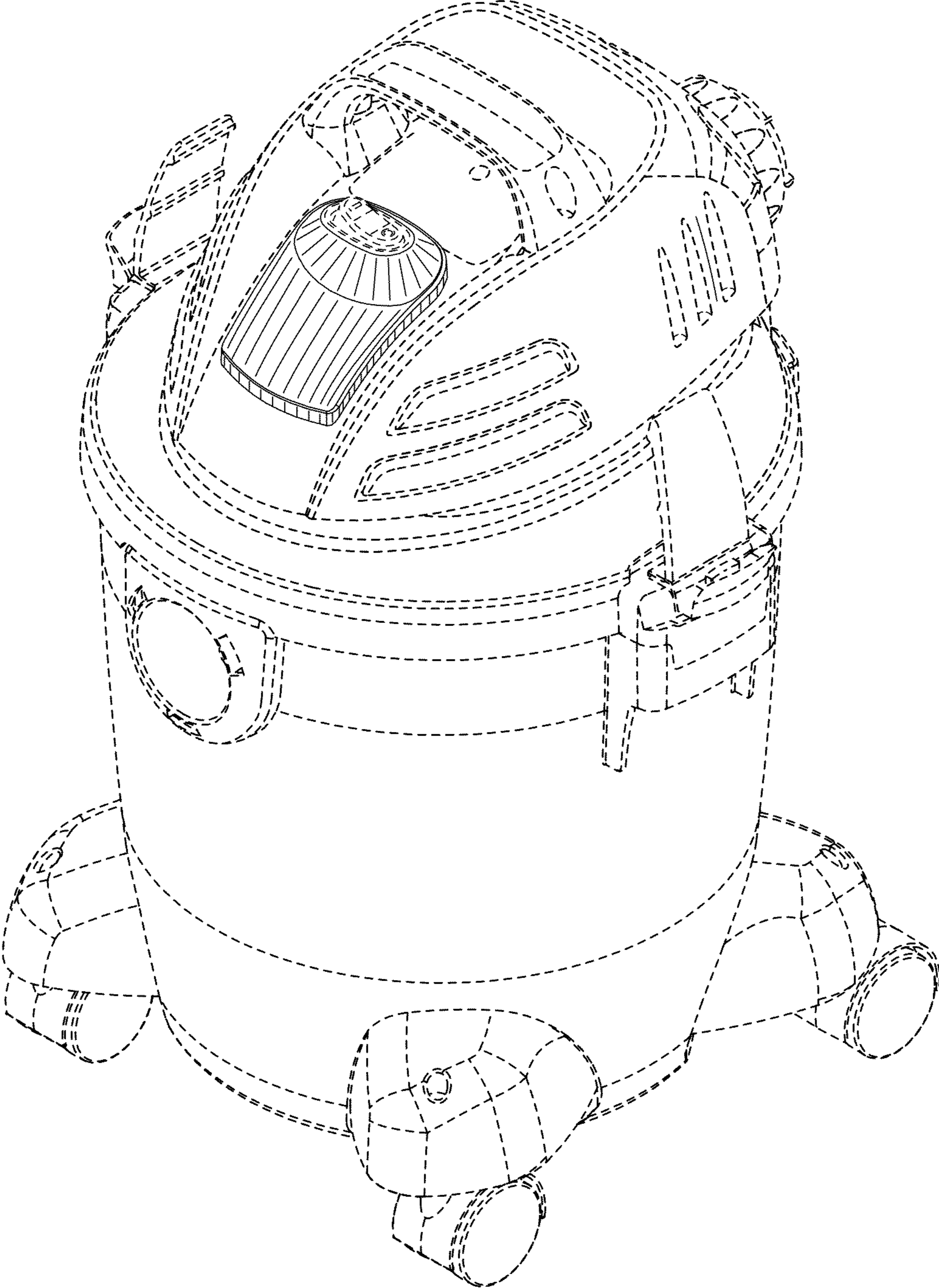


FIG. 1

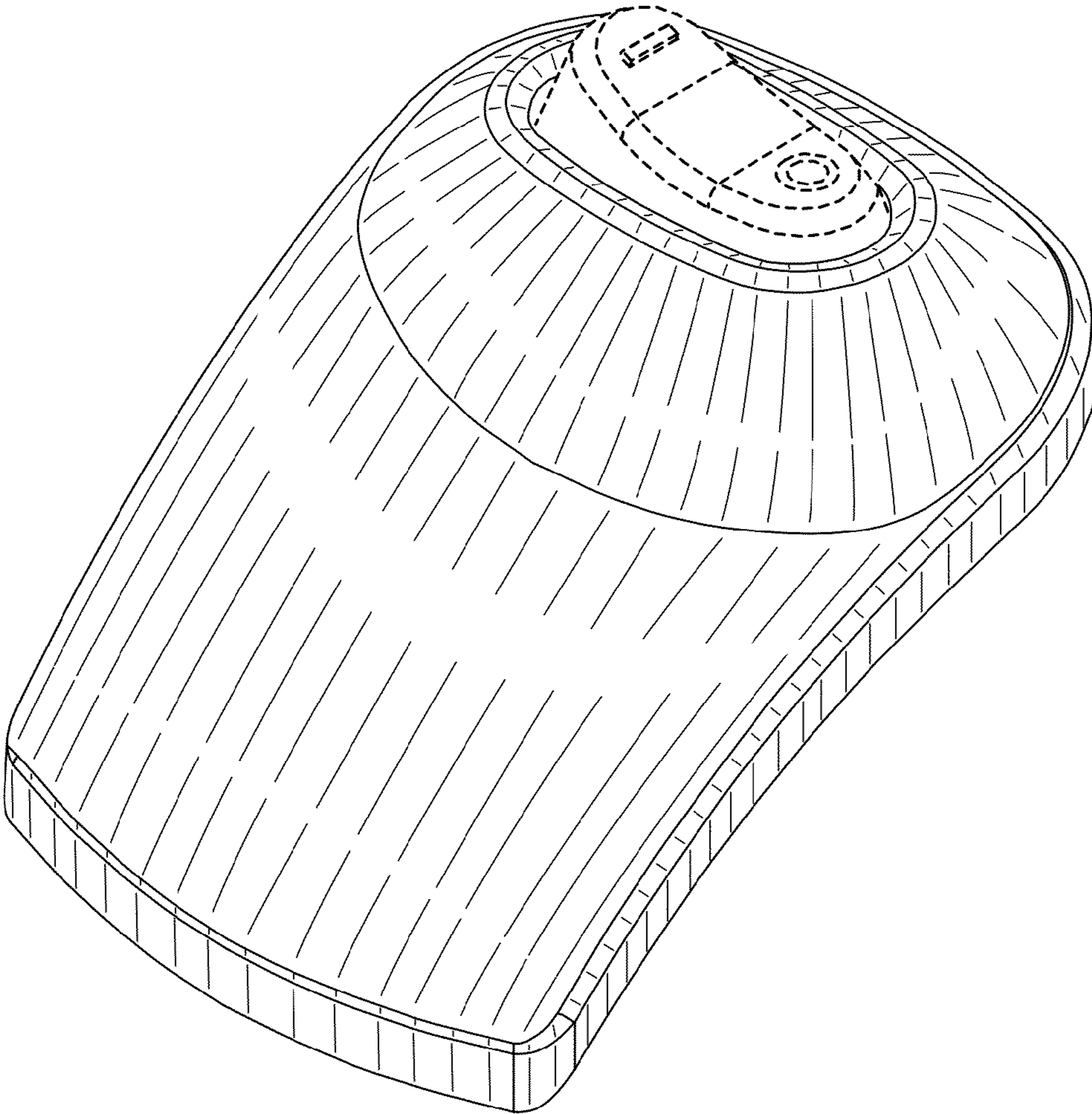


FIG. 2

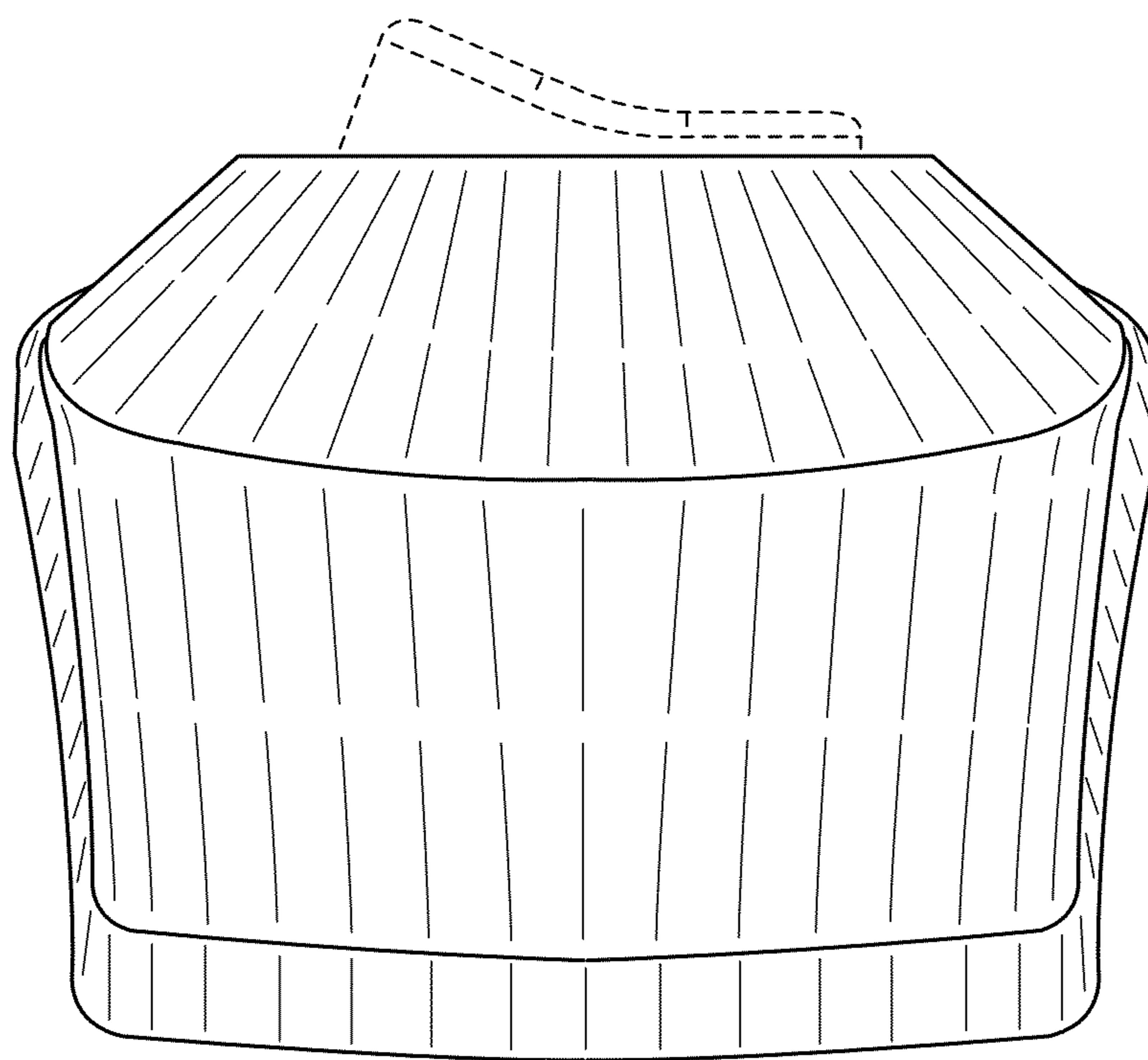


FIG. 3

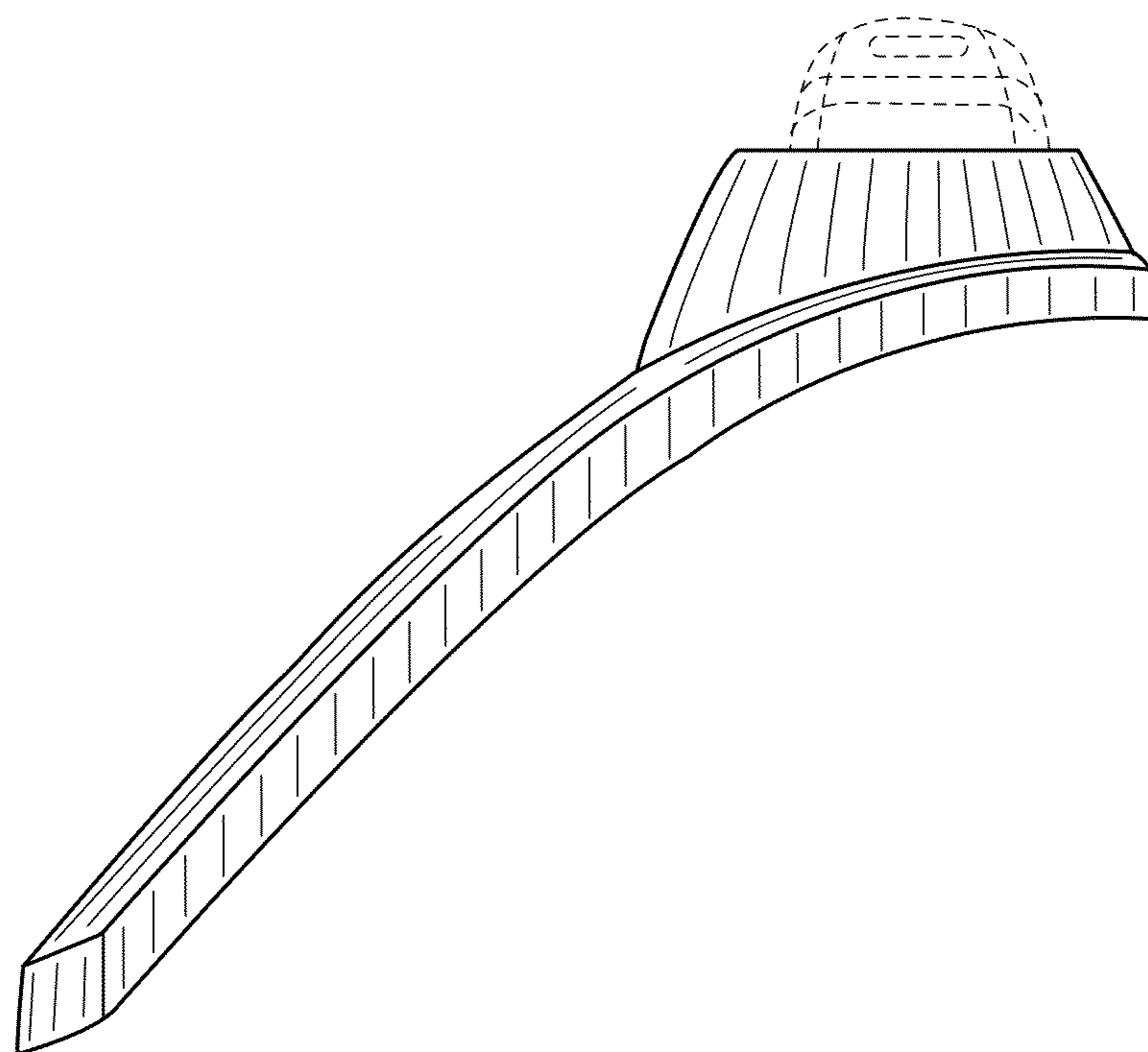


FIG. 4