



US00D714502S

(12) **United States Design Patent**
Jeon et al.

(10) **Patent No.:** **US D714,502 S**
(45) **Date of Patent:** **** Sep. 30, 2014**

(54) **DOOR FOR DRUM WASHING MACHINES**

(75) Inventors: **Ho Il Jeon**, Gyeonggi-do (KR); **Jung Hwan Lee**, Seoul (KR); **On Kim**, Seoul (KR); **Ne Rry Son**, Seoul (KR); **Ye Ji Um**, Seoul (KR)

(73) Assignee: **LG Electronics Inc.**, Seoul (KR)

(**) Term: **14 Years**

(21) Appl. No.: **29/412,385**

(22) Filed: **Feb. 2, 2012**

(30) **Foreign Application Priority Data**

Aug. 3, 2011 (KR) 30-2011-0032485

(51) **LOC (10) Cl.** **15-05**

(52) **U.S. Cl.**
USPC **D32/25**

(58) **Field of Classification Search**
USPC D32/1, 6, 8, 25, 5, 10; 68/3 R, 5 R,
68/12.01, 12.07, 12.08, 212; 34/90,
34/87-88, 523-524
See application file for complete search history.

(56) **References Cited**

U.S. PATENT DOCUMENTS

D613,466 S * 4/2010 Kim D32/6
D618,871 S * 6/2010 DeSalvo et al. D32/25
7,865,990 B2 * 1/2011 Jeong 8/158
D635,313 S * 3/2011 Jeon et al. D32/6

D642,752 S * 8/2011 Kim D32/6
D642,753 S * 8/2011 Ha D32/6
D648,907 S * 11/2011 Jeon et al. D32/6
8,266,816 B2 * 9/2012 Lim 34/90
D682,492 S * 5/2013 Chung et al. D32/6
D683,088 S * 5/2013 Chung et al. D32/6
8,438,878 B2 * 5/2013 Choi et al. 68/3 R
D690,066 S * 9/2013 Chung et al. D32/25
2013/0145648 A1 * 6/2013 Kim et al. 34/524

* cited by examiner

Primary Examiner — T. Chase Nelson

Assistant Examiner — Kathleen Sims

(74) *Attorney, Agent, or Firm* — Birch, Stewart, Kolasch & Birch, LLP

(57) **CLAIM**

We claim the ornamental design for a door for drum washing machines, as shown and described.

DESCRIPTION

FIG. 1 is a perspective view of a door for drum washing machines showing our new design;
FIG. 2 is a front elevation view thereof;
FIG. 3 is a rear elevation view thereof;
FIG. 4 is a left-side elevation view thereof;
FIG. 5 is a right-side elevation view thereof;
FIG. 6 is a top plan view thereof; and,
FIG. 7 is a bottom plan view thereof.
The broken lines shown are included for the purpose of illustrating the unclaimed portions of the article and form no part of the claim.

1 Claim, 5 Drawing Sheets

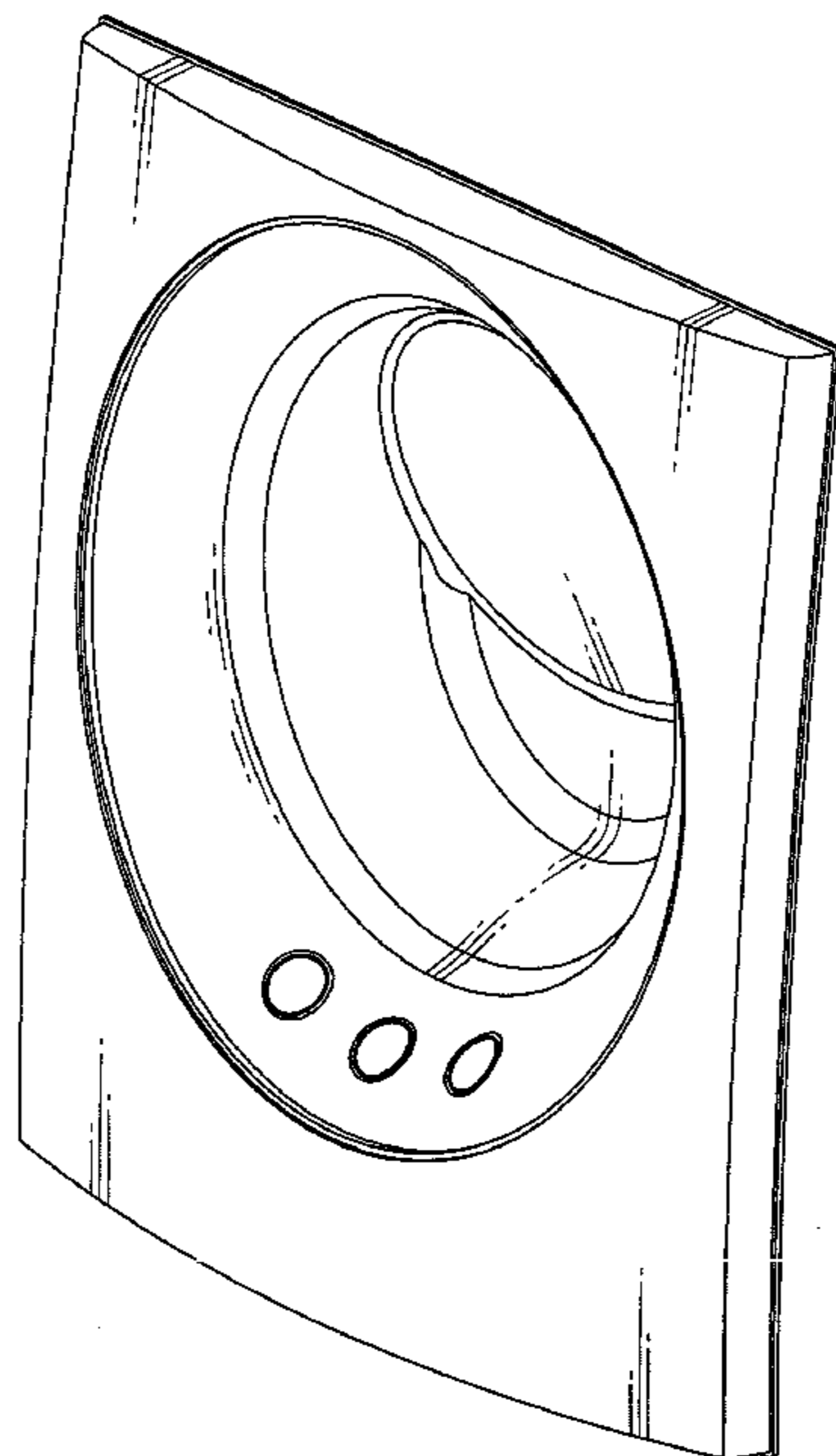


FIG. 1

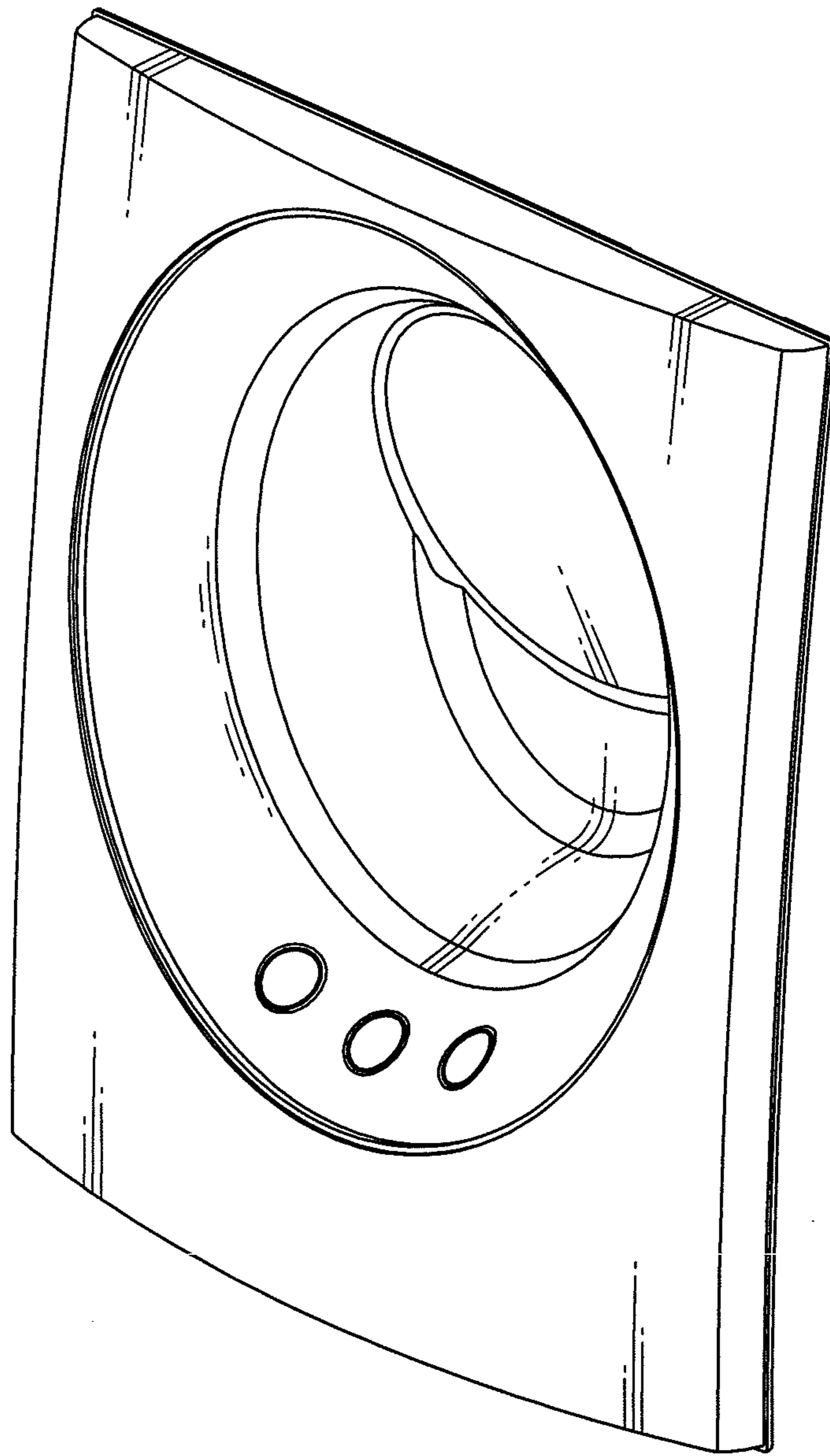


FIG. 2

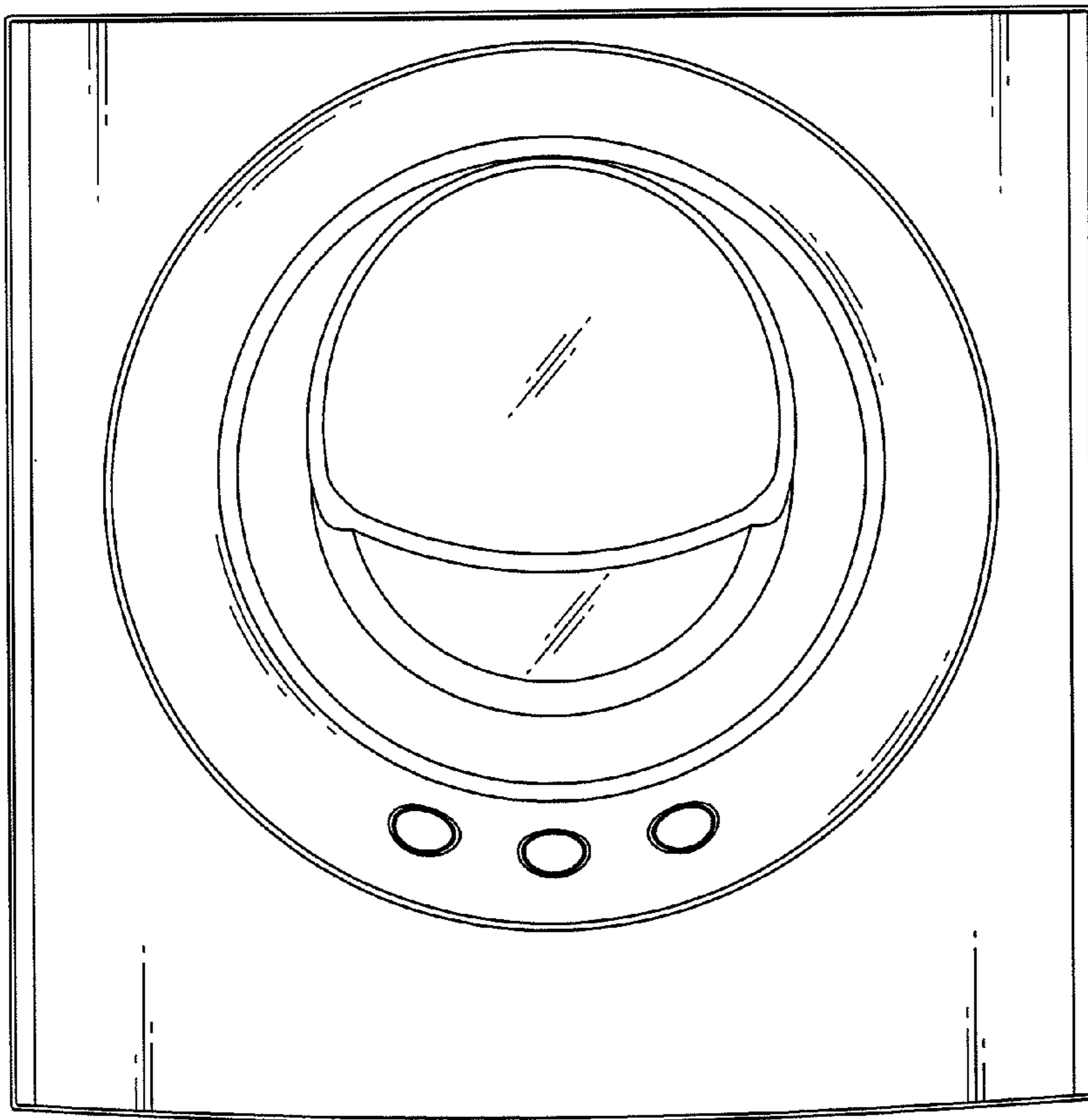


FIG. 3

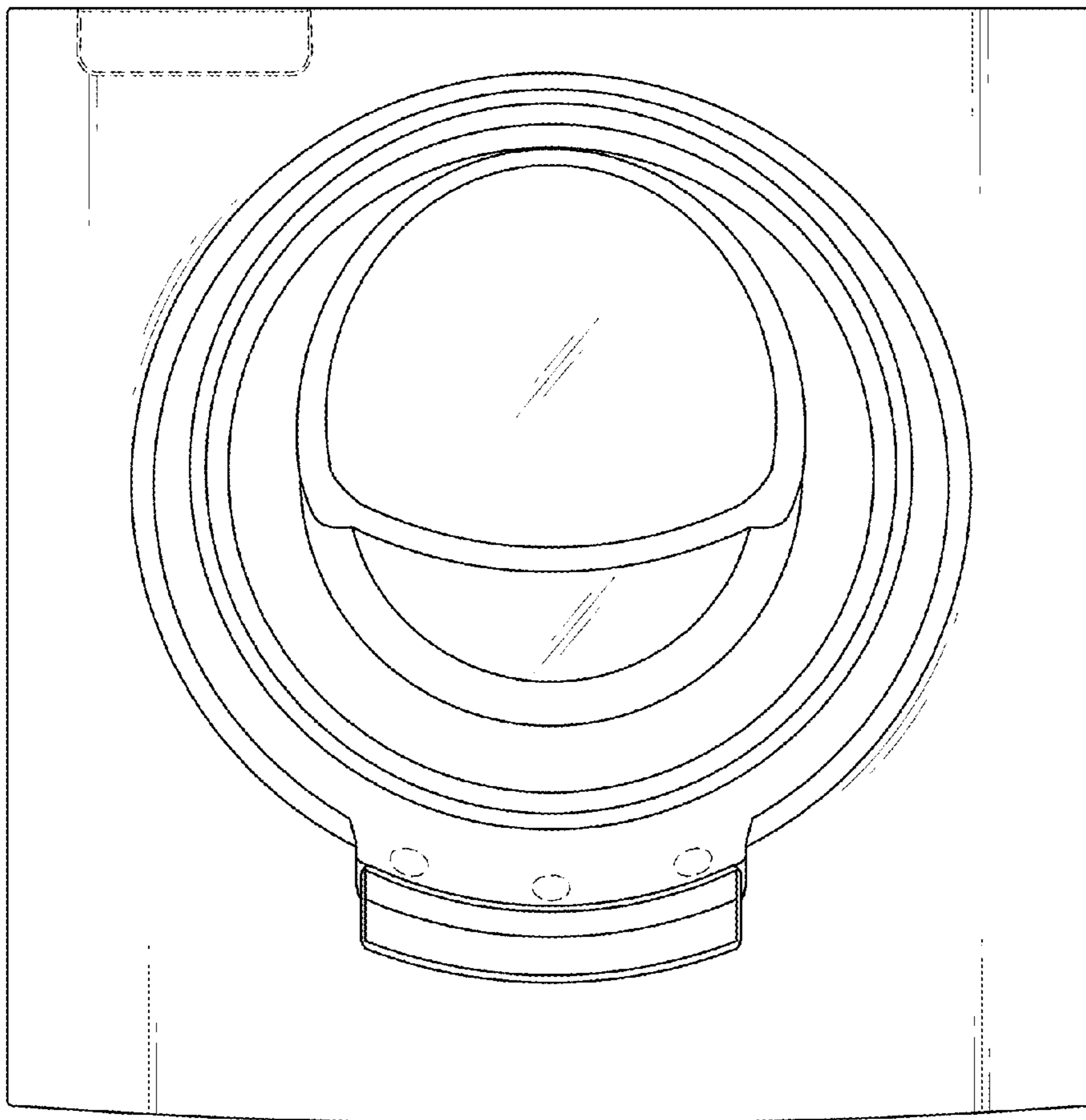


FIG. 4

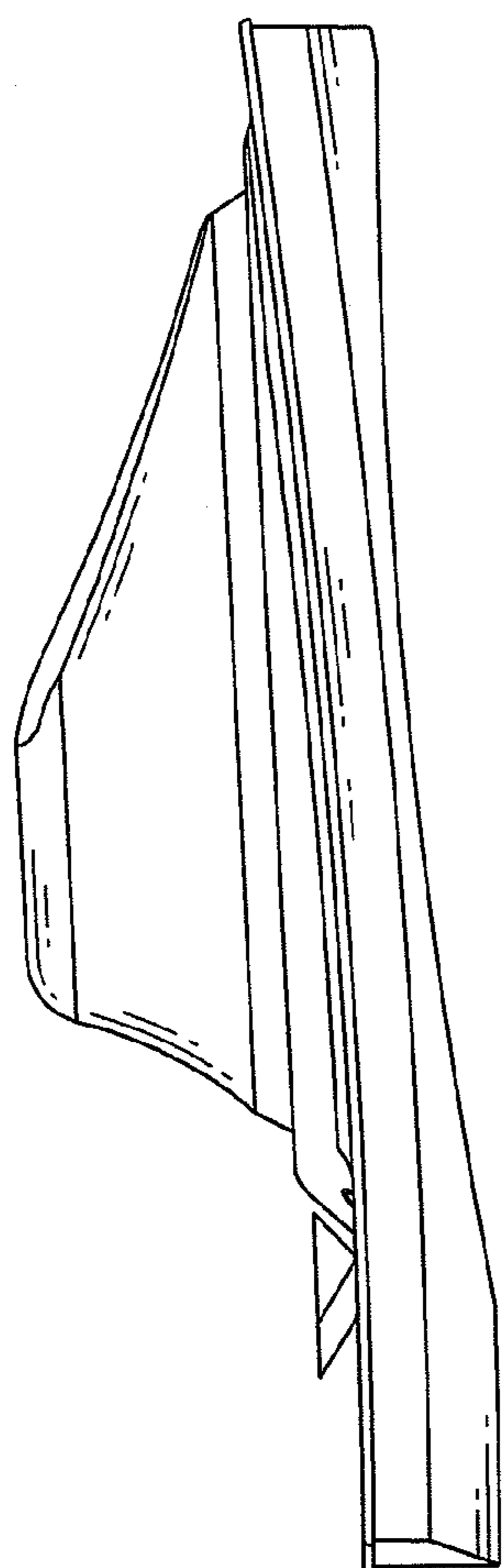


FIG. 5

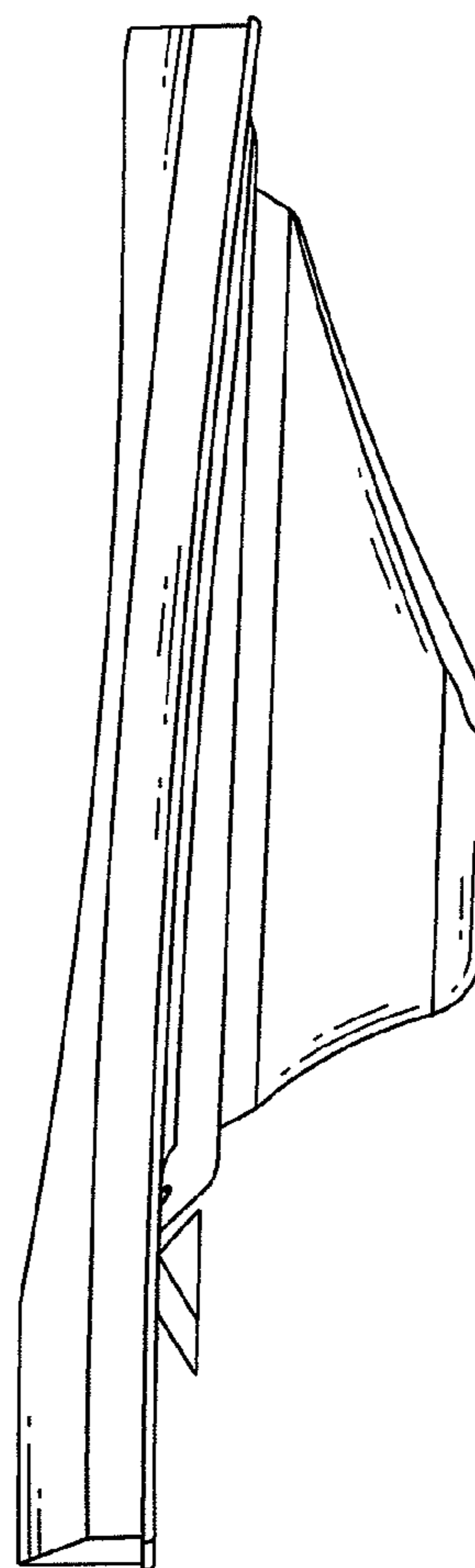


FIG.6

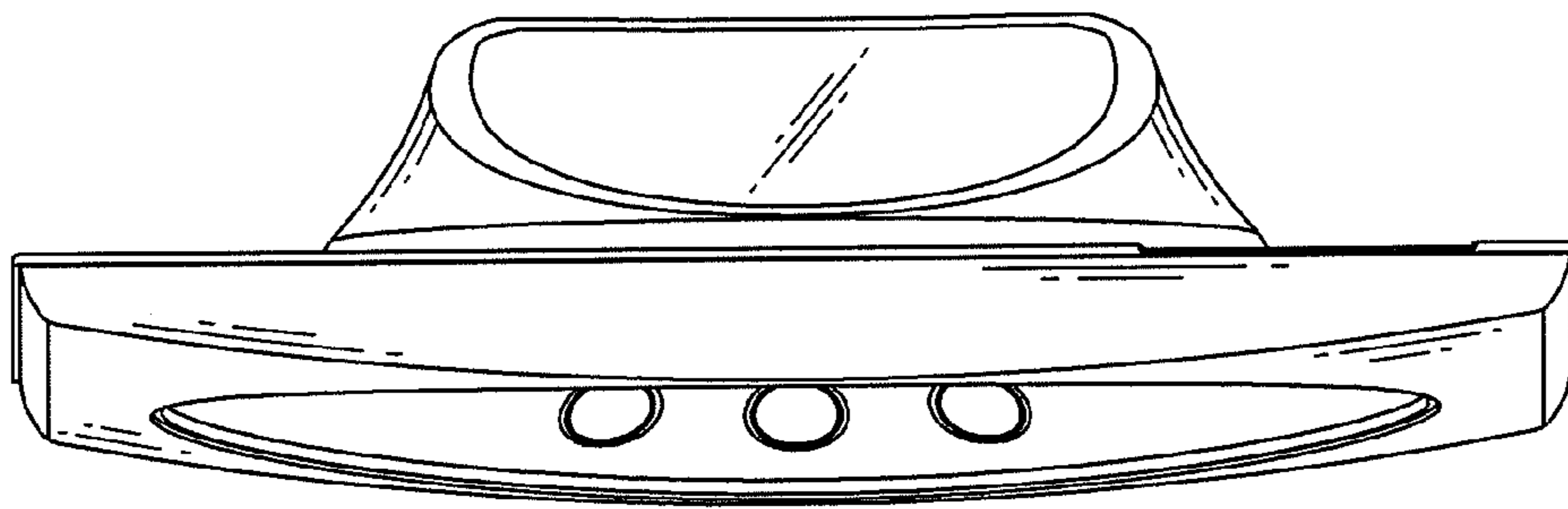


FIG.7

