



US00D714501S

(12) **United States Design Patent**
Dammkoehler

(10) **Patent No.:** **US D714,501 S**
(45) **Date of Patent:** **** Sep. 30, 2014**

(54) **VACUUM CLEANER**

(71) Applicant: **Alfred Kaercher GmbH & Co. KG,**
Winnenden (DE)

(72) Inventor: **Denis Dammkoehler,** Backnang (DE)

(73) Assignee: **Alfred Kaercher GmbH & Co. KG,**
Winnenden (DE)

(**) Term: **14 Years**

(21) Appl. No.: **29/471,488**

(22) Filed: **Nov. 1, 2013**

(30) **Foreign Application Priority Data**

May 7, 2013 (WO) DM/080 979

(51) **LOC (10) Cl.** **15-05**

(52) **U.S. Cl.**
USPC **D32/22; D32/21**

(58) **Field of Classification Search**
USPC D32/21-24, 32-34; 15/353, 320-321,
15/323, 340.2, 412, 339, 327.1-327.7
See application file for complete search history.

(56) **References Cited**

U.S. PATENT DOCUMENTS

D318,543 S *	7/1991	Shero	D32/23
D332,330 S *	1/1993	Gurstein	D32/22
D333,195 S	2/1993	Oberdorfer-Bogel		
D333,890 S	3/1993	Oberdorfer-Bogel		
D334,258 S	3/1993	Oberdorfer-Bogel		
D364,947 S *	12/1995	Kent et al.	D32/22
D380,070 S *	6/1997	Shero	D32/23
5,890,258 A *	4/1999	Lee	15/320
5,979,014 A *	11/1999	Reichow et al.	15/412
D422,286 S	4/2000	Choi et al.		
D422,386 S *	4/2000	Jaros et al.	D32/22
D446,612 S	8/2001	Kohler		

D521,700 S *	5/2006	Griffin	D32/23
D528,718 S *	9/2006	Tomasiak et al.	D32/21
7,165,290 B2 *	1/2007	Martinez et al.	16/30
D568,010 S	4/2008	Crevling, Jr. et al.		
D568,013 S *	4/2008	Crevling et al.	D32/23
D573,319 S	7/2008	Crevling, Jr. et al.		
D573,320 S	7/2008	Crevling, Jr. et al.		
D581,111 S *	11/2008	DiPasquale	D32/21
D581,608 S	11/2008	Dammkoehler et al.		
D587,868 S	3/2009	DiPasquale		
7,624,474 B1 *	12/2009	Cho	15/320
D615,258 S *	5/2010	Dammkoehler	D32/23
8,056,182 B2 *	11/2011	Day	15/321
D655,872 S *	3/2012	Jin	D32/21
D655,873 S *	3/2012	Jin	D32/21

(Continued)

OTHER PUBLICATIONS

Extract from catalog of Alfred Kaercher GmbH & Co. KG, "Programme 2006", cover, pp. 135, 138-145, 255-257 and last page (Dec. 2005).

(Continued)

Primary Examiner — Ruth McInroy

(74) *Attorney, Agent, or Firm* — Lipsitz & McAllister, LLC

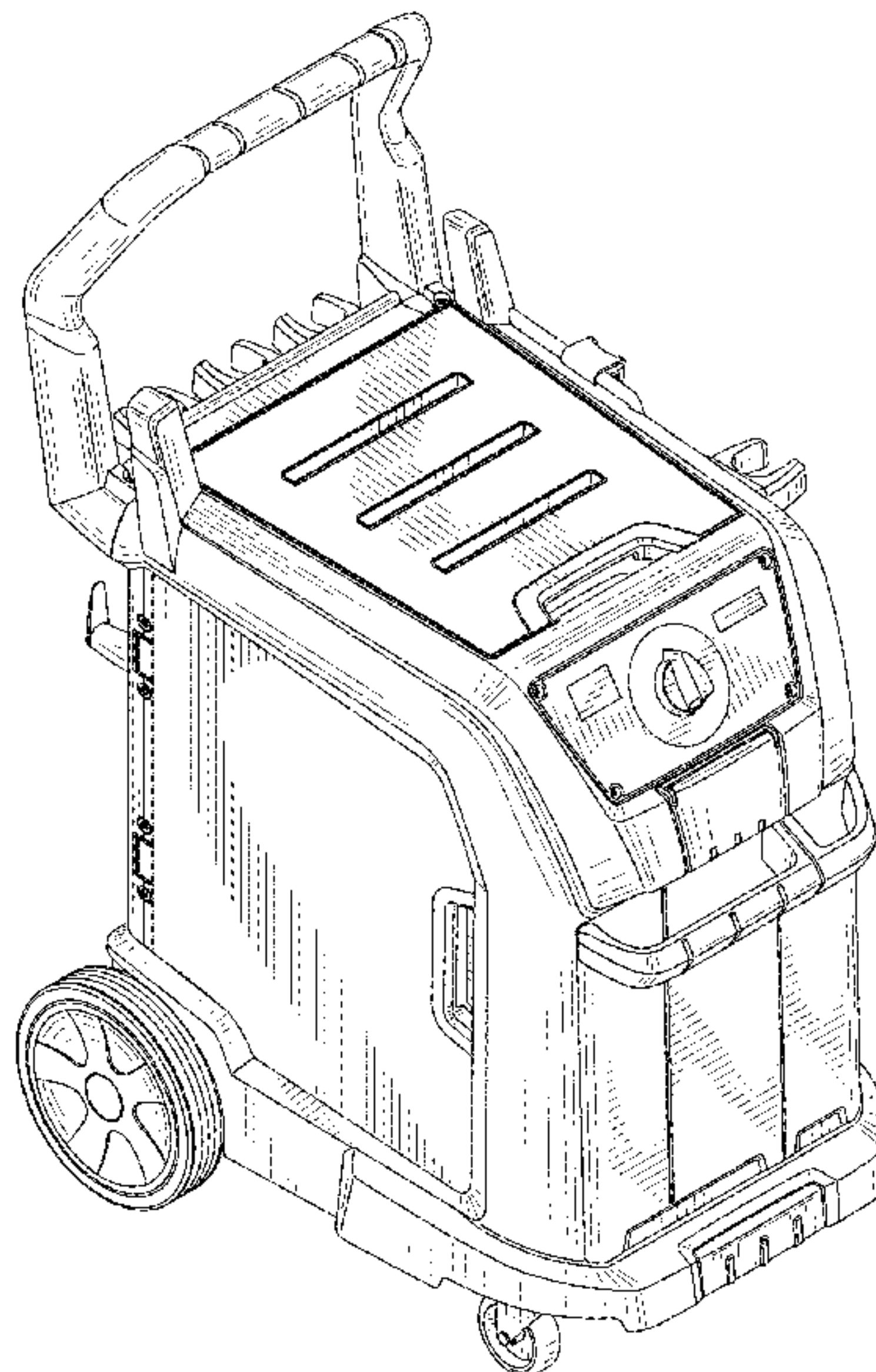
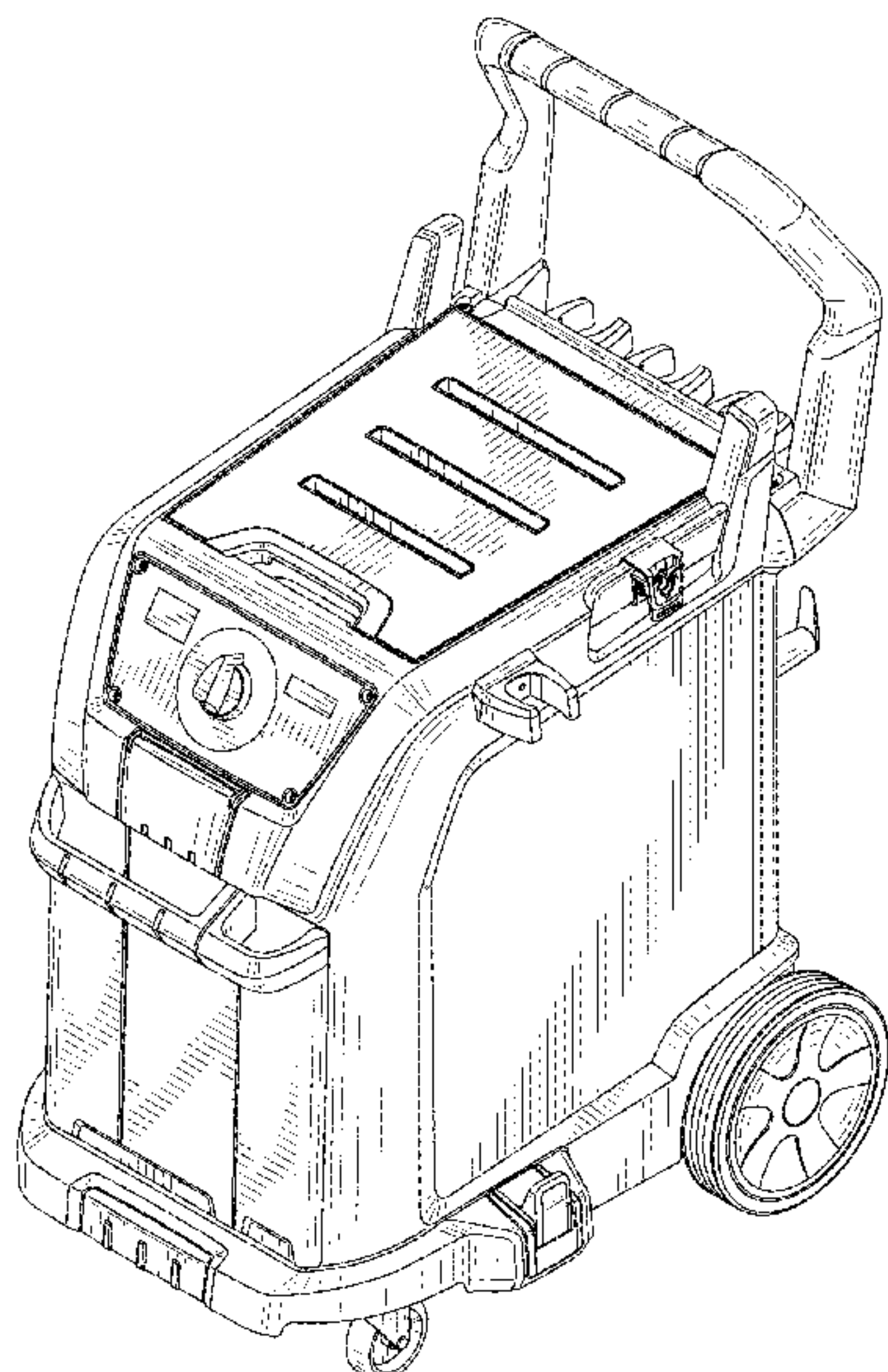
(57) **CLAIM**

The ornamental design for a vacuum cleaner, as shown and described.

DESCRIPTION

FIG. 1 is a front, top and left side perspective view of a vacuum cleaner showing the new design; FIG. 2 is a front, top and right side perspective view thereof; FIG. 3 is a front elevational view thereof; FIG. 4 is a left side elevational view thereof; FIG. 5 is a rear elevational view thereof; FIG. 6 is a right side elevational view thereof; and, FIG. 7 is a top plan view thereof.

1 Claim, 7 Drawing Sheets



(56)

References Cited

U.S. PATENT DOCUMENTS

D660,529	S	*	5/2012	Dammkoehler et al.	D32/21
D670,046	S	*	10/2012	Theising et al.	D32/22
D676,205	S	*	2/2013	Theising et al.	D32/21
2006/0185113	A1	*	8/2006	Kloeppe et al.	15/320
2007/0044269	A1	*	3/2007	Day	15/321
2008/0115312	A1		5/2008	DiPasquale et al.		
2010/0139032	A1	*	6/2010	Tomasiak	15/347
2012/0246866	A1	*	10/2012	Holsten	15/415.1
2013/0125335	A1	*	5/2013	Robinson et al.	15/320

OTHER PUBLICATIONS

Extract from catalog of Alfred Kaercher GmbH & Co. KG, "Programme 2007", cover, pp. 61, 63, 153, 155, 159-166, 281-285 and last page (Jan. 2007).

Extract from catalog of Alfred Kaercher GmbH & Co. KG, "Programme 2008", cover, pp. 65, 67, 159, 167-174, 298-303 and last page (Dec. 2007).

Extract from catalog of Alfred Kaercher GmbH & Co. KG, "Programme 2009 Kaercher Professional Commercial", cover, pp. 85-87, 94-101 and last page (Mar. 2009).

Extract from catalog of Alfred Kaercher GmbH & Co. KG, "Programme 2009 Kaercher Residential", cover, pp. 81, 83, 86, 87 and last page (Mar. 2009).

Extract from catalog of Alfred Kaercher GmbH & Co. KG, "Programme 2010 Kaercher Home & Garden", cover, pp. 80-85, 89 and last page (Nov. 2009).

Extract from catalog of Alfred Kaercher GmbH & Co. KG, "Programme 2010 Kaercher Professional", cover, pp. 94-105, 298-303 and last page (Nov. 2009).

Extract from catalog of Alfred Kaercher GmbH & Co. KG, "Programme 2005", cover, pp. 127, 129-134, 136-138 and last page (Dec. 2004).

Extract from catalog of Alfred Kaercher GmbH & Co. KG, "Programme 2009 Kaercher Industrial", cover, pp. 46-52 and last page (Mar. 2009).

* cited by examiner

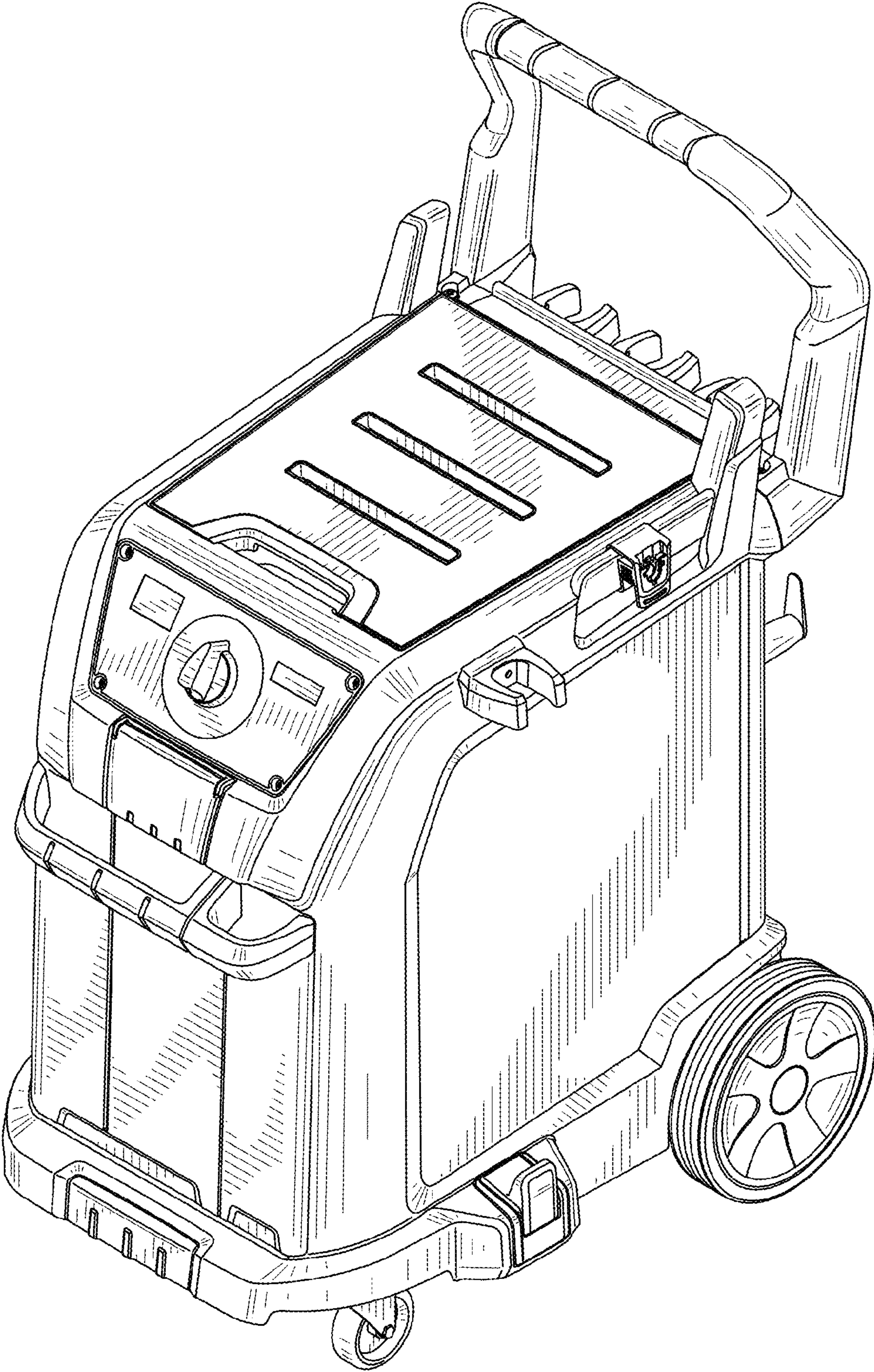


FIG. 1

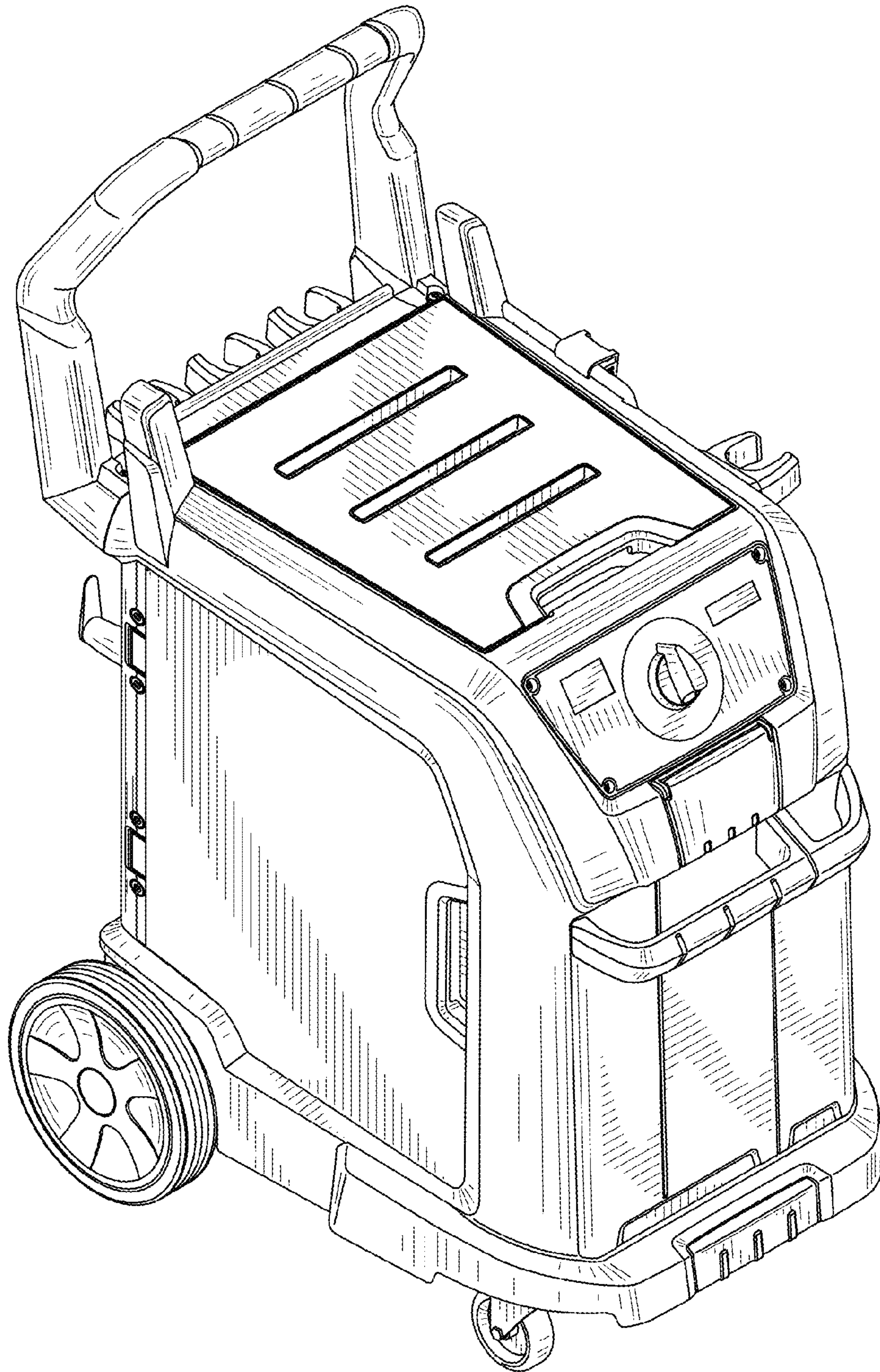


FIG. 2

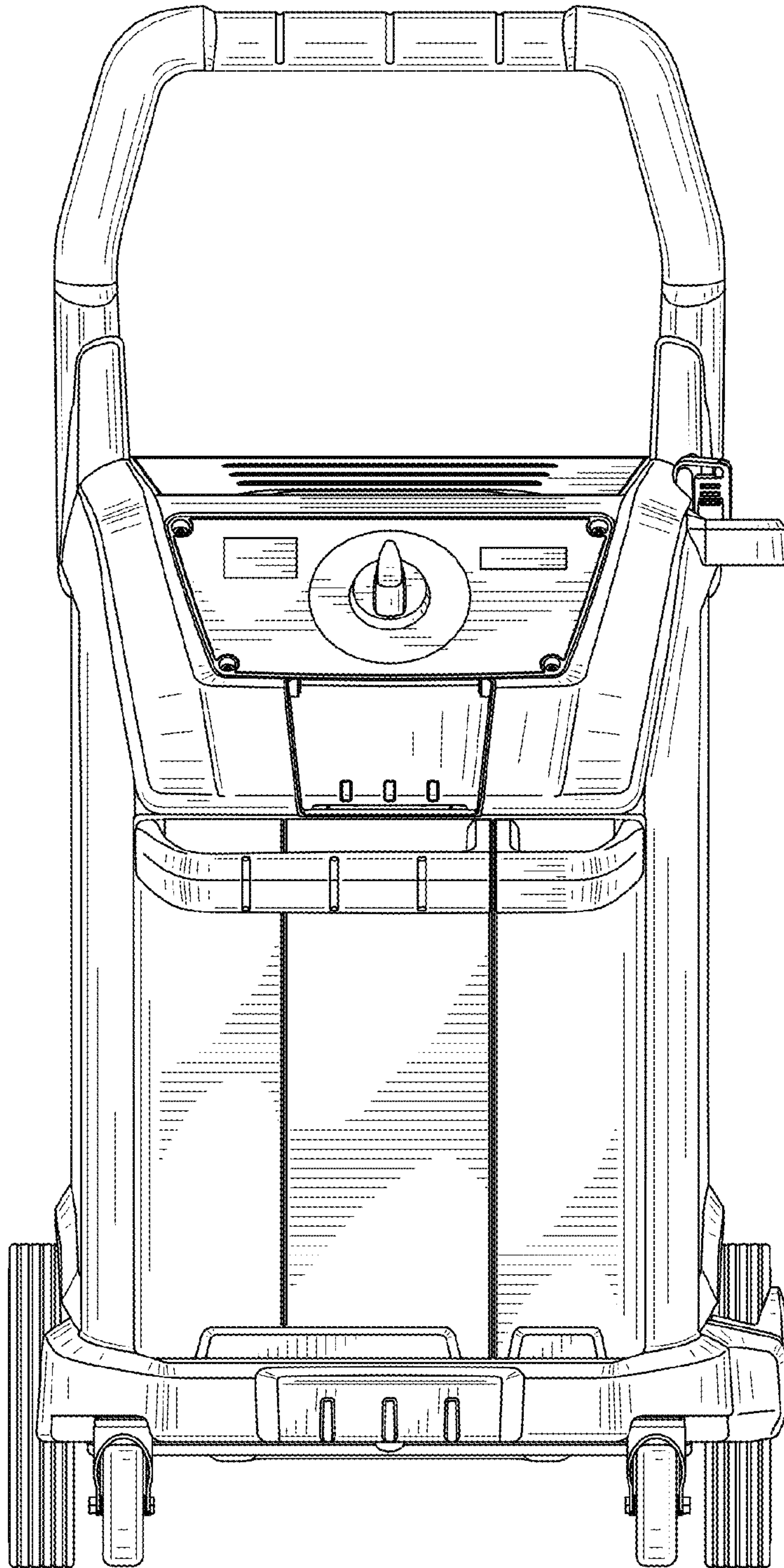


FIG. 3

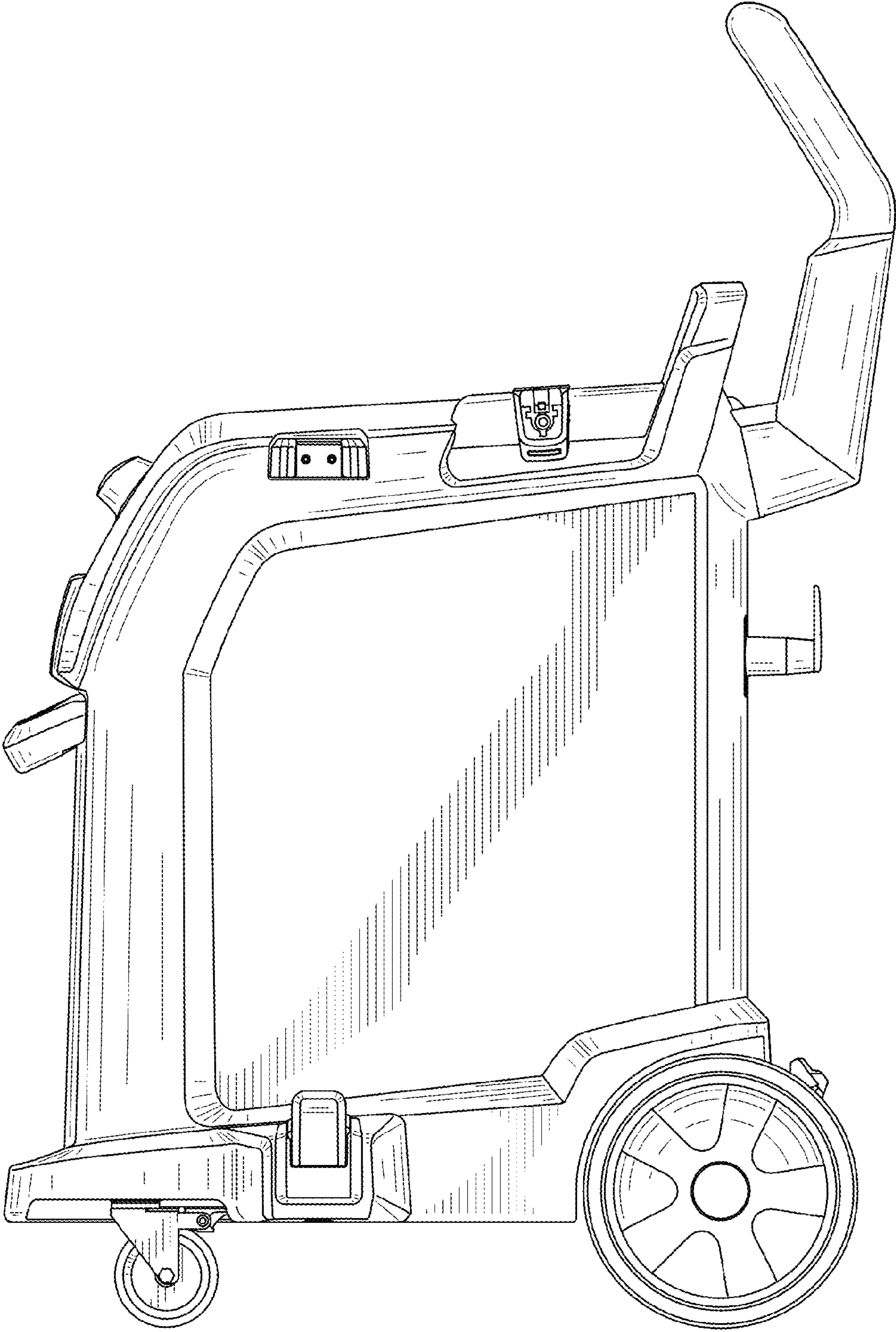


FIG. 4

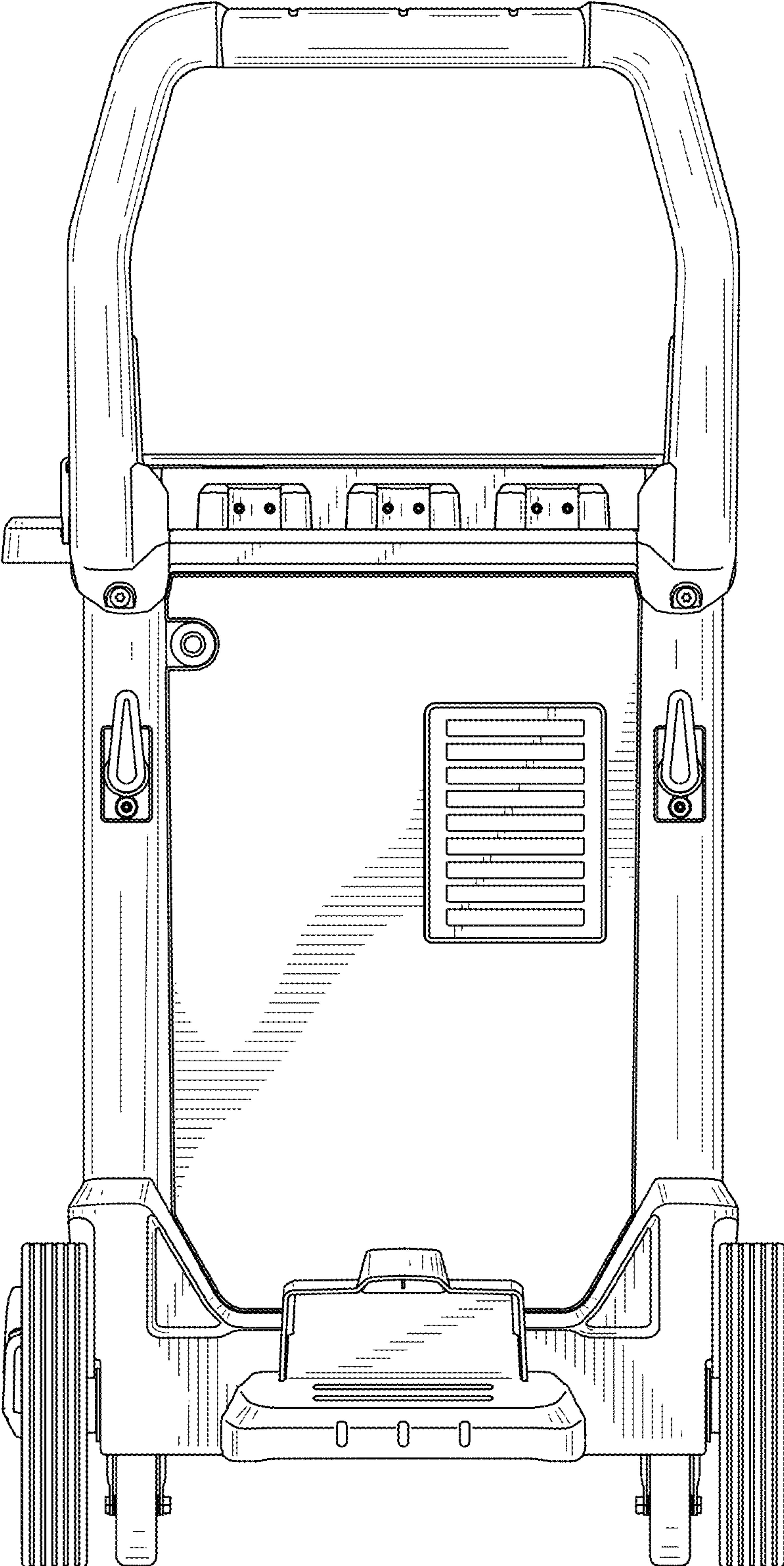


FIG. 5

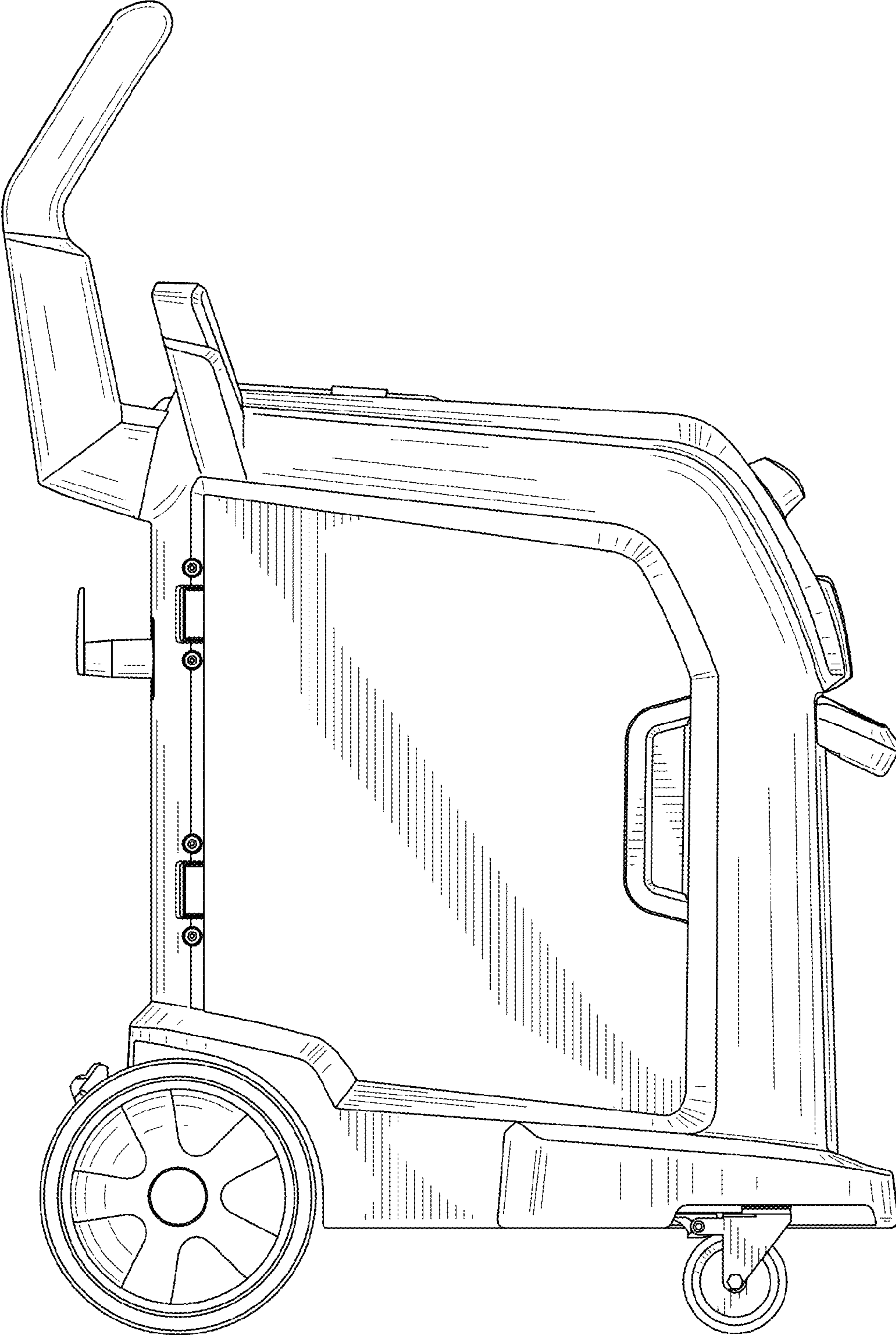


FIG. 6

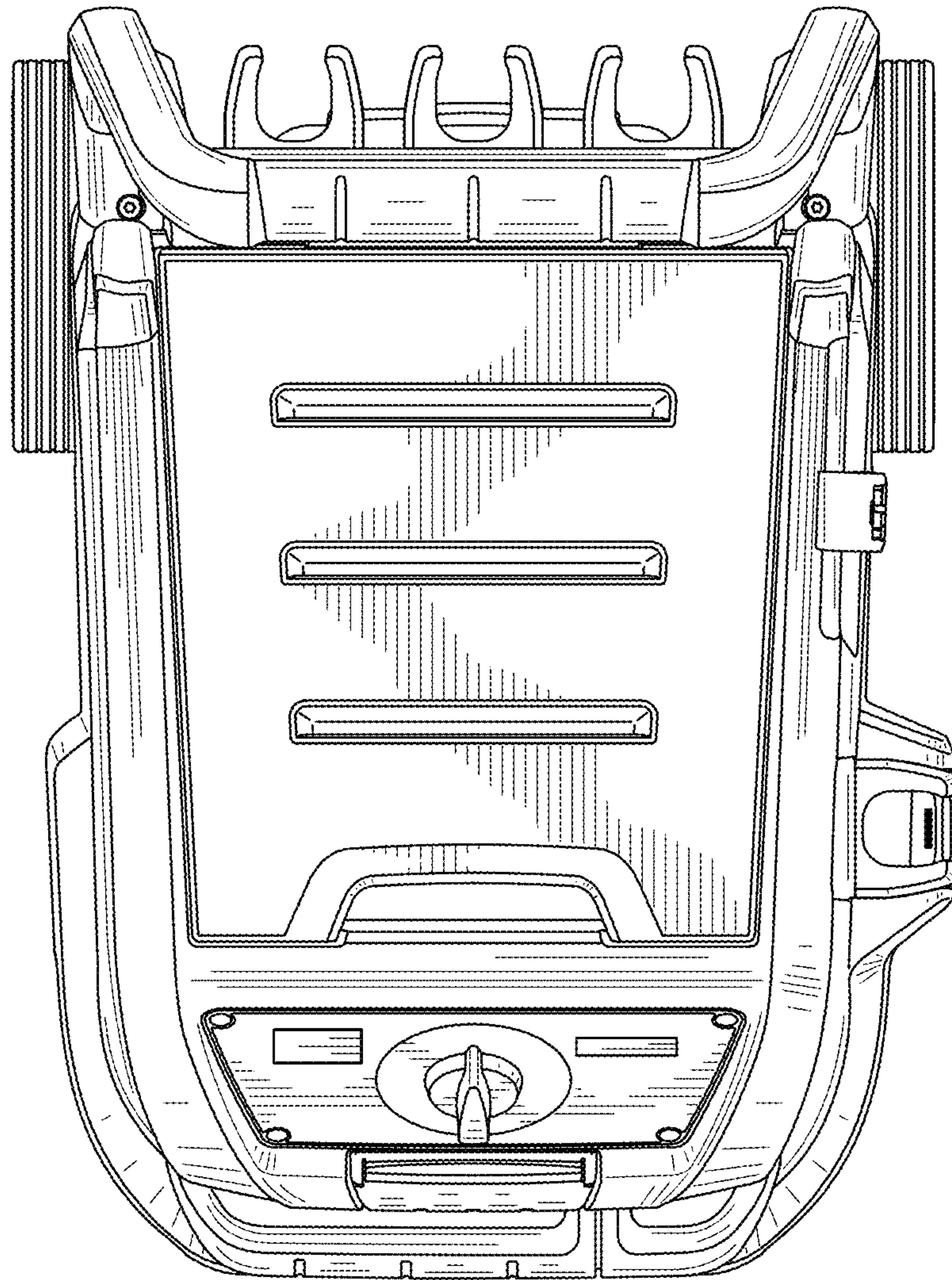


FIG. 7