



US00D714500S

(12) **United States Design Patent**
Irfan et al.

(10) **Patent No.:** **US D714,500 S**

(45) **Date of Patent:** **** Sep. 30, 2014**

(54) **VACUUM CLEANER**

(56) **References Cited**

(71) Applicant: **Techtronic Floor Care Technology Limited**, Tortola (VG)

(72) Inventors: **Mohammed Irfan**, West Yorkshire (GB); **Ryan P. Springell**, Bucks (GB); **Keith G. Faskin**, The Borders (GB); **Darren D. Holmes**, Leicestershire (GB); **Simon Pougher**, Chester (GB); **Lee Pearson**, London (GB); **Piers C. Storey**, Cheshire (GB); **Jennifer Marsden**, Birmingham (GB)

(73) Assignee: **Techtronic Floor Care Technology Limited**, Tortola (VG)

U.S. PATENT DOCUMENTS

D368,993	S	*	4/1996	Stutzer et al.	D32/21
D394,528	S	*	5/1998	Pochopien et al.	D32/21
D417,323	S	*	11/1999	Fujita et al.	D32/21
D445,226	S	*	7/2001	Jupp	D32/21
D493,586	S	*	7/2004	Choi	D32/21
D518,611	S	*	4/2006	Hare	D32/21
D534,696	S	*	1/2007	Choi	D32/21
D550,908	S		9/2007	Shin		
D550,909	S		9/2007	Shin		
D550,910	S		9/2007	Shin		
D552,810	S	*	10/2007	Shin	D32/21
D552,811	S		10/2007	Shin		
D553,311	S		10/2007	Shin		
D559,482	S	*	1/2008	Jansson et al.	D32/21
7,380,308	B2	*	6/2008	Oh et al.	15/327.2

(Continued)

(**) Term: **14 Years**

FOREIGN PATENT DOCUMENTS

(21) Appl. No.: **29/445,677**

EP 1087688 B1 9/2002

(22) Filed: **Feb. 14, 2013**

Primary Examiner — Ruth McInroy

(30) **Foreign Application Priority Data**

Aug. 14, 2012	(EM)	002087767-0001
Aug. 14, 2012	(EM)	002087767-0002
Aug. 14, 2012	(EM)	002087767-0003
Aug. 14, 2012	(EM)	002087767-0004
Aug. 14, 2012	(EM)	002087767-0005

(74) *Attorney, Agent, or Firm* — Michael Best & Friedrich LLP

(51) **LOC (10) Cl.** **15-05**

(57) **CLAIM**

We claim the ornamental design for a vacuum cleaner, as shown and described.

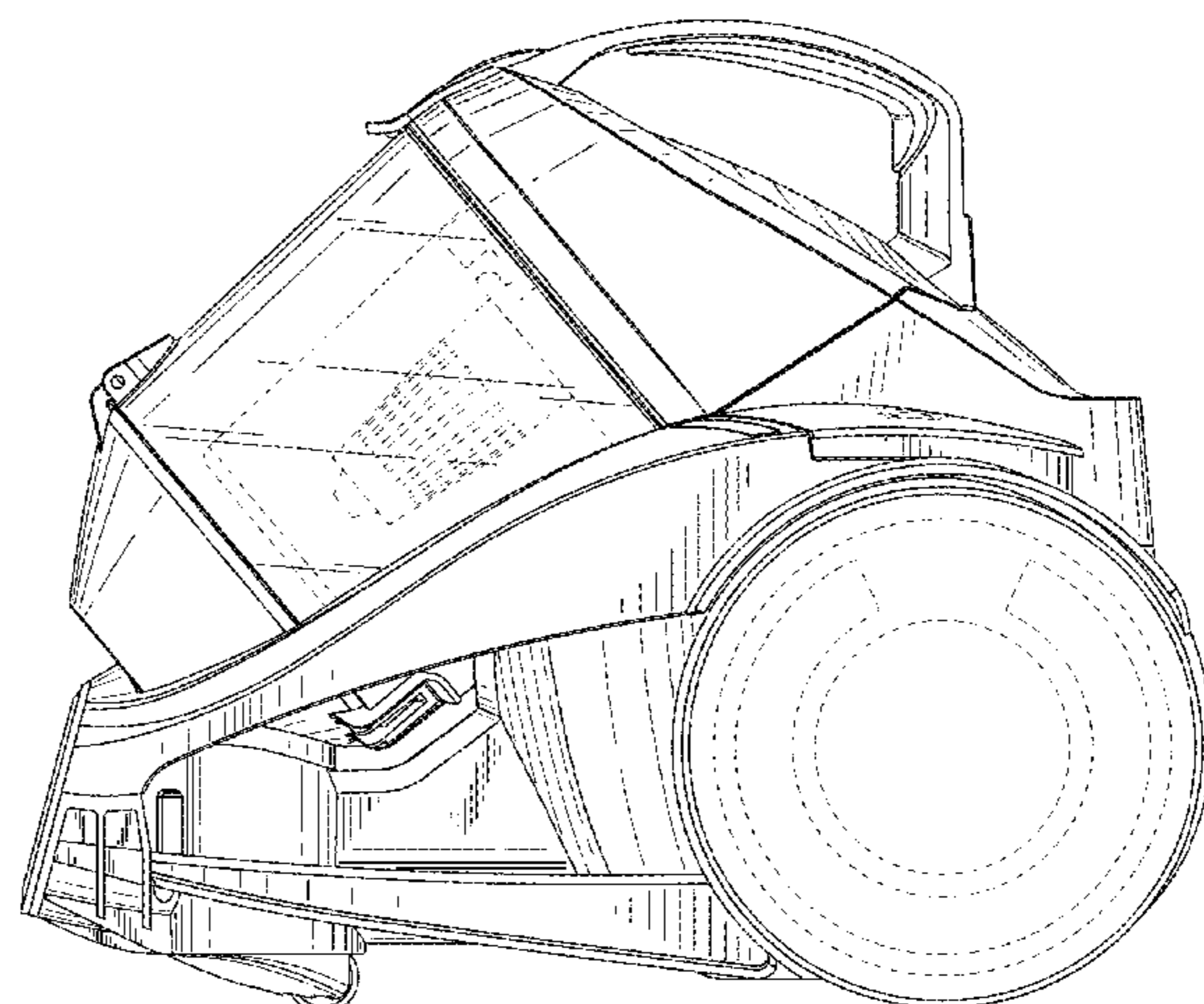
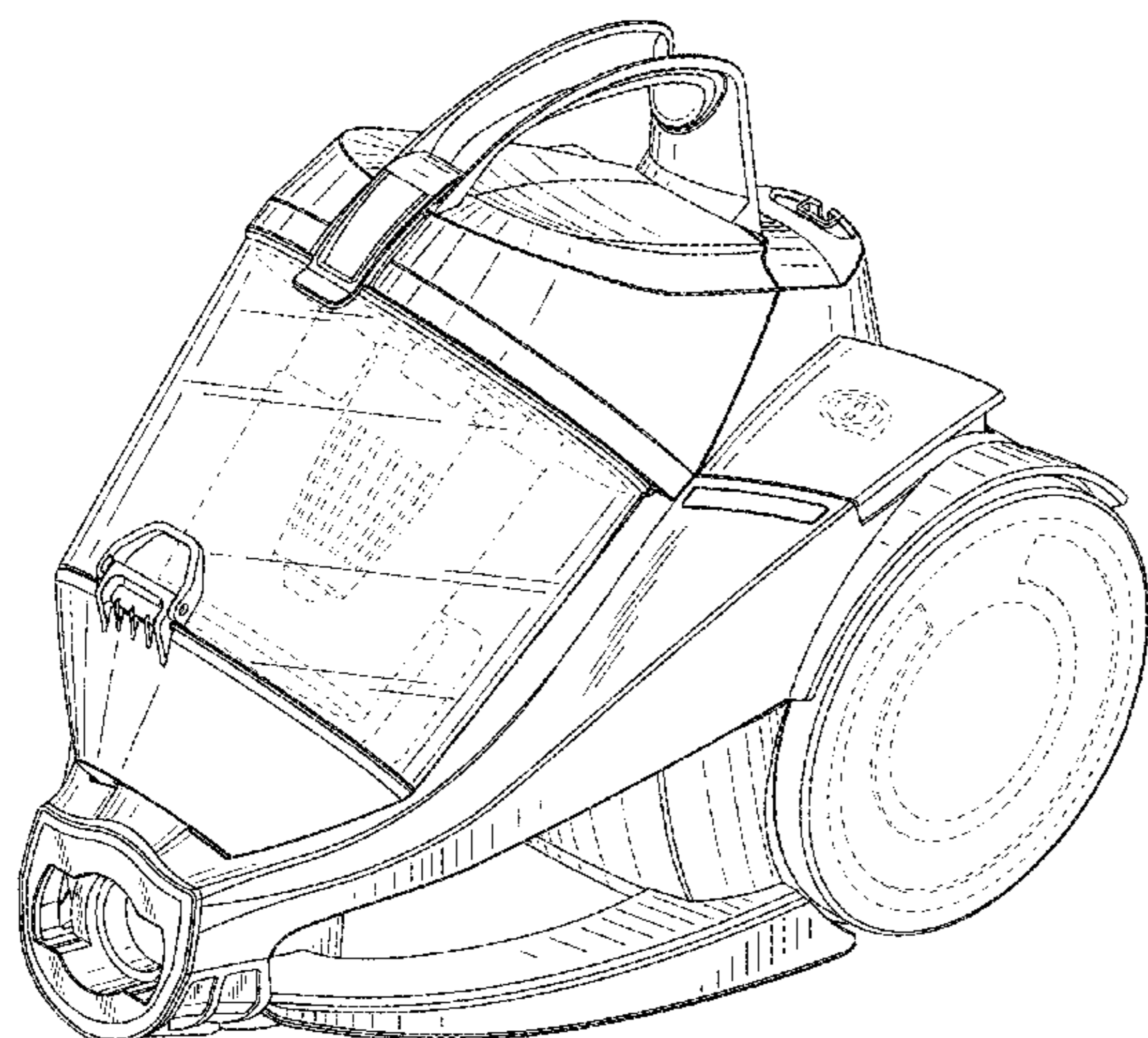
(52) **U.S. Cl.**
USPC **D32/21**

DESCRIPTION

(58) **Field of Classification Search**
USPC D32/21, 23, 24, 30, 31; 55/378, 337, 55/447, 345, DIG. 3, 349, 429, 459.1, 395; 15/327.1, 327.2, 327.4, 327.6, 327.7, 15/347, 353, 337, 411
See application file for complete search history.

FIG. 1 is a front perspective view of a vacuum cleaner showing our new design;
FIG. 2 is a front view thereof;
FIG. 3 is a top plan view thereof;
FIG. 4 is a bottom plan view thereof;
FIG. 5 is a left side view thereof;
FIG. 6 is a right side view thereof; and,
FIG. 7 is a rear view thereof.
The portions of the vacuum cleaner shown in broken lines are included for the purpose of illustrating environment and form no part of the claimed design.

1 Claim, 7 Drawing Sheets



(56)

References Cited

U.S. PATENT DOCUMENTS

D594,162 S 6/2009 Knox et al.
D600,415 S * 9/2009 Svantesson D32/21
D617,963 S * 6/2010 Ayers D32/21
D626,709 S * 11/2010 Fjellman D32/21
D646,030 S * 9/2011 Carr et al. D32/21
D646,031 S * 9/2011 Carr et al. D32/21

D646,855 S * 10/2011 Kim et al. D32/21
D653,823 S 2/2012 Kim et al.
D657,921 S * 4/2012 Lee D32/21
D664,316 S * 7/2012 Kim D32/21
D680,283 S * 4/2013 Renault D32/21
D682,494 S * 5/2013 Kim et al. D32/21
D702,901 S 4/2014 Fjellman
D707,407 S 6/2014 Okabe et al.

* cited by examiner

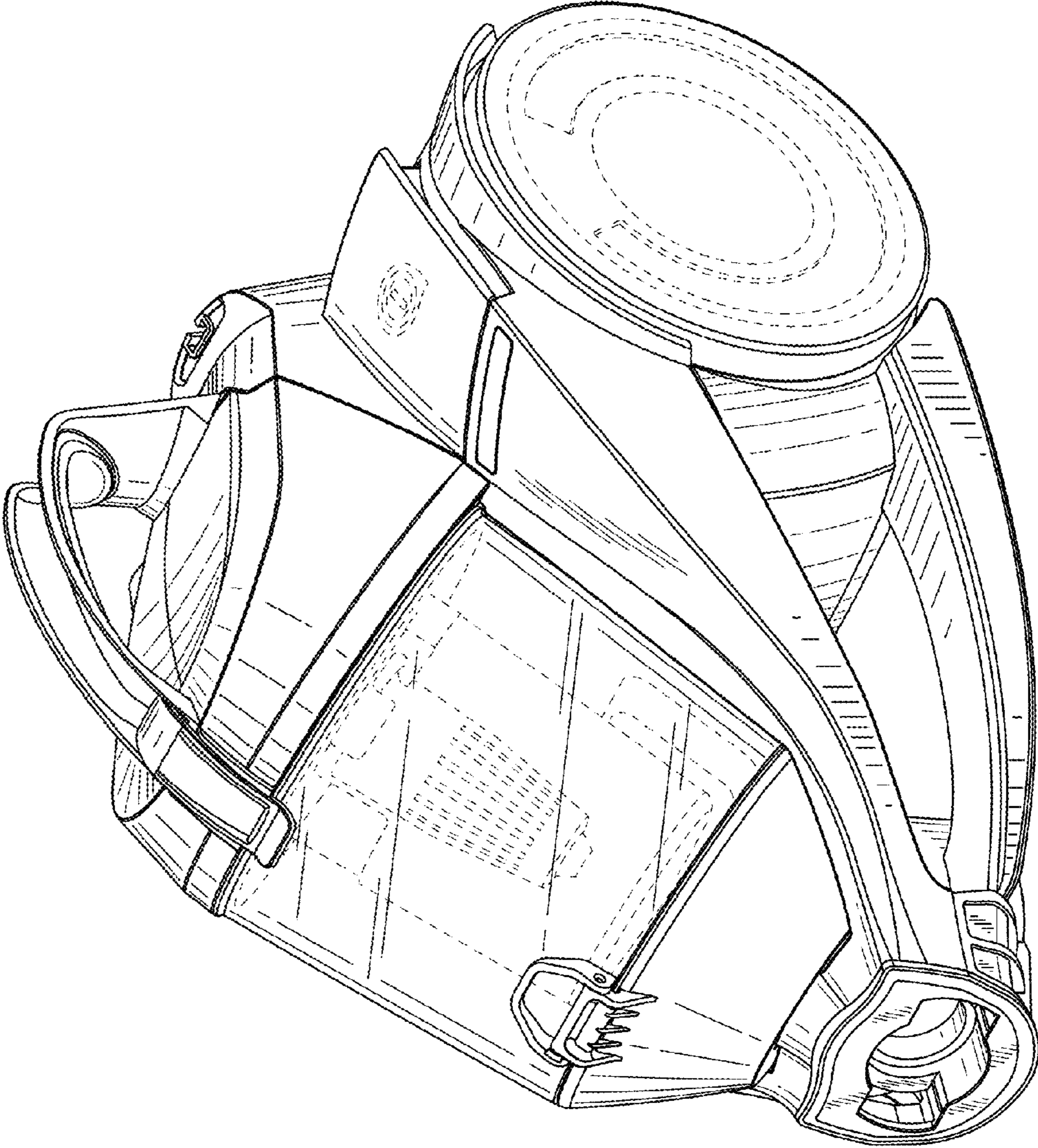


FIG. 1

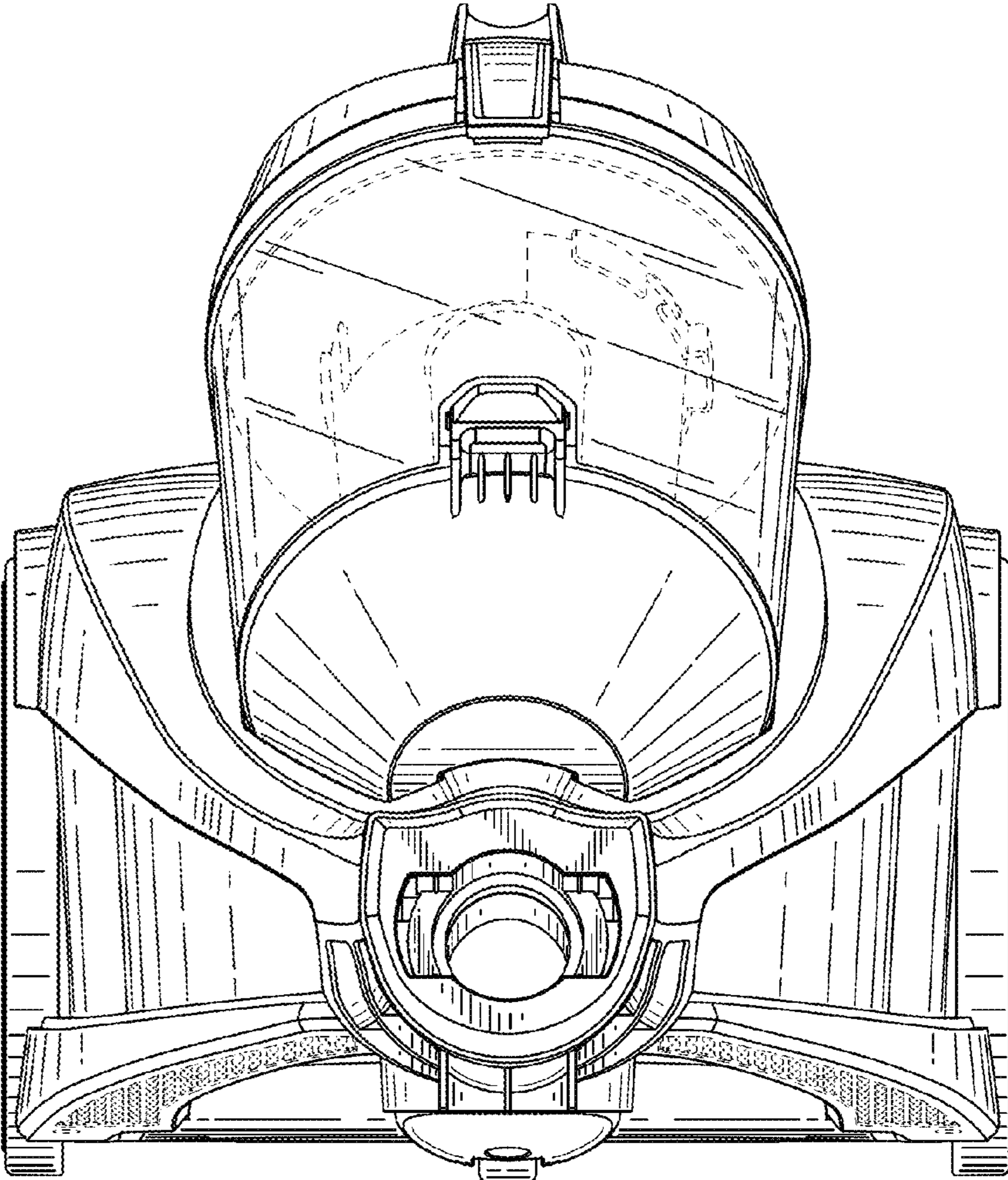


FIG. 2

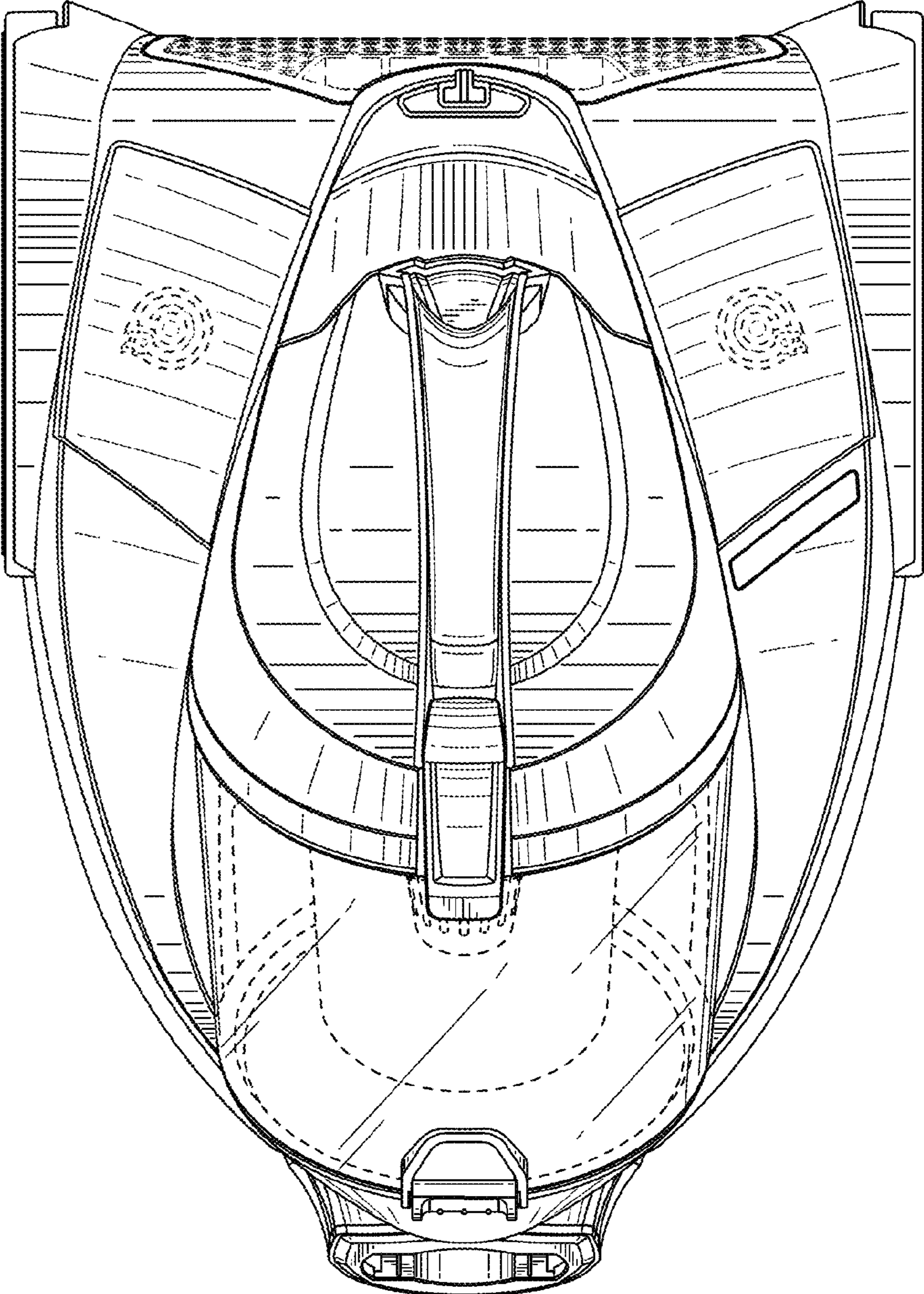


FIG. 3

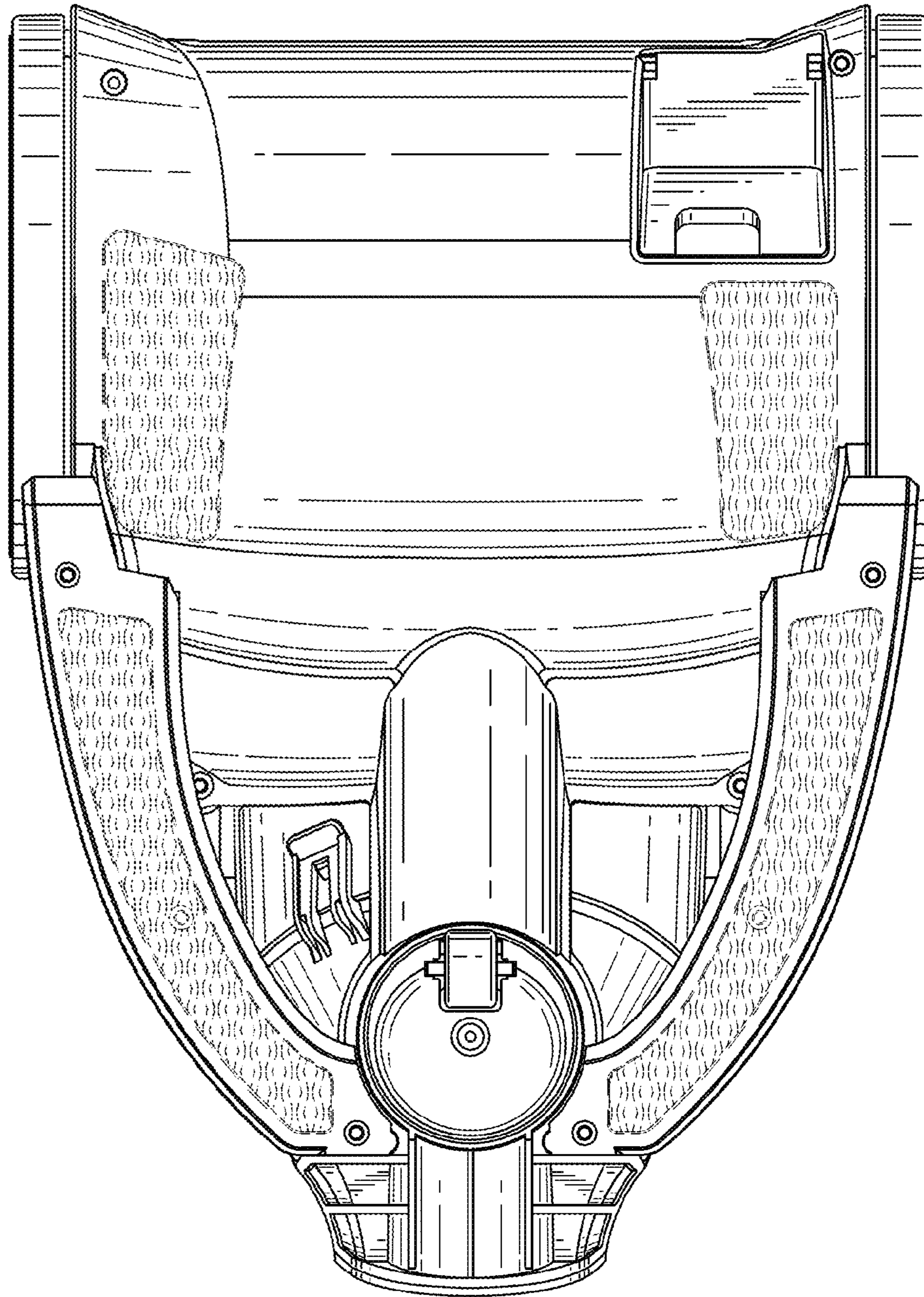


FIG. 4

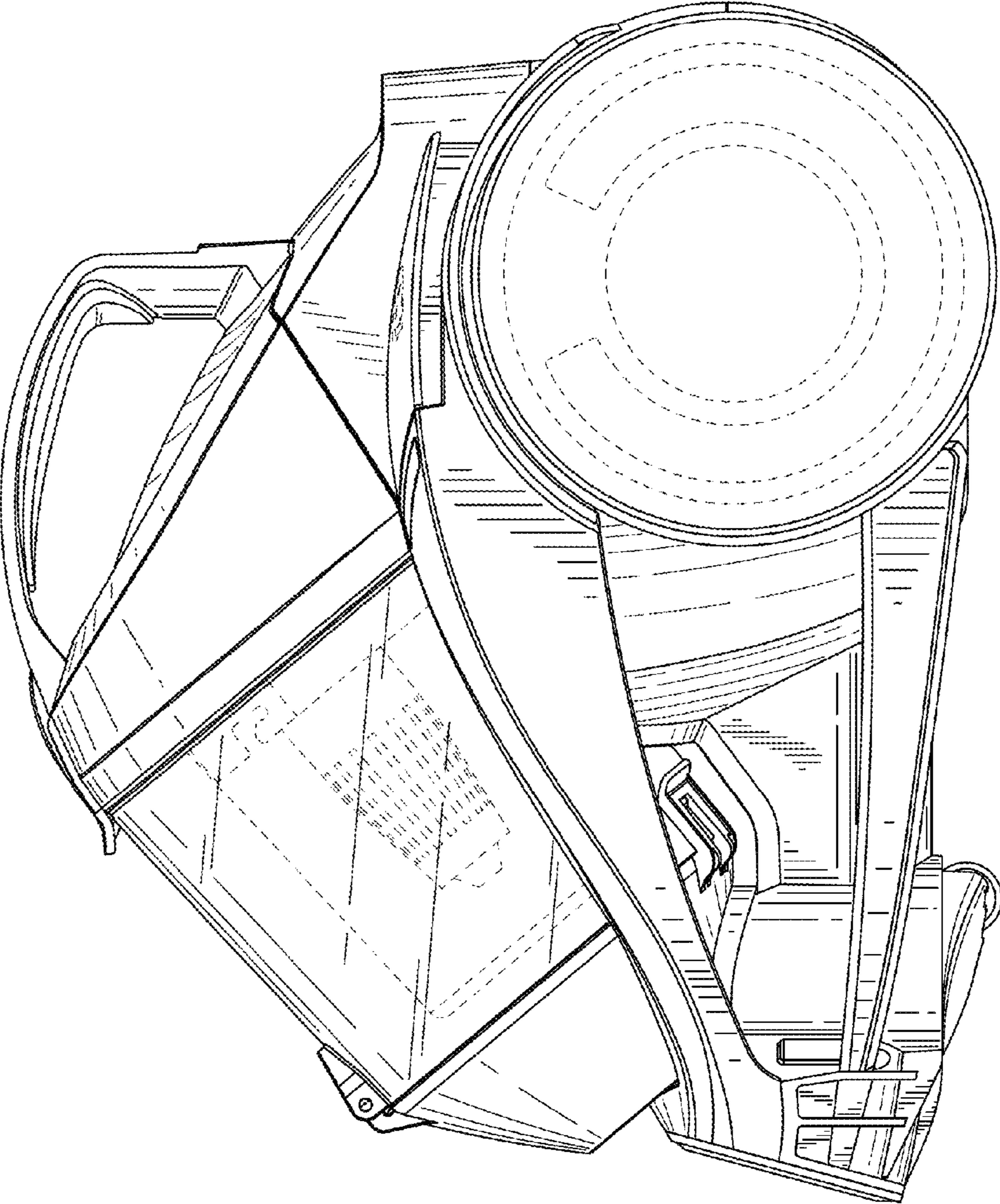


FIG. 5

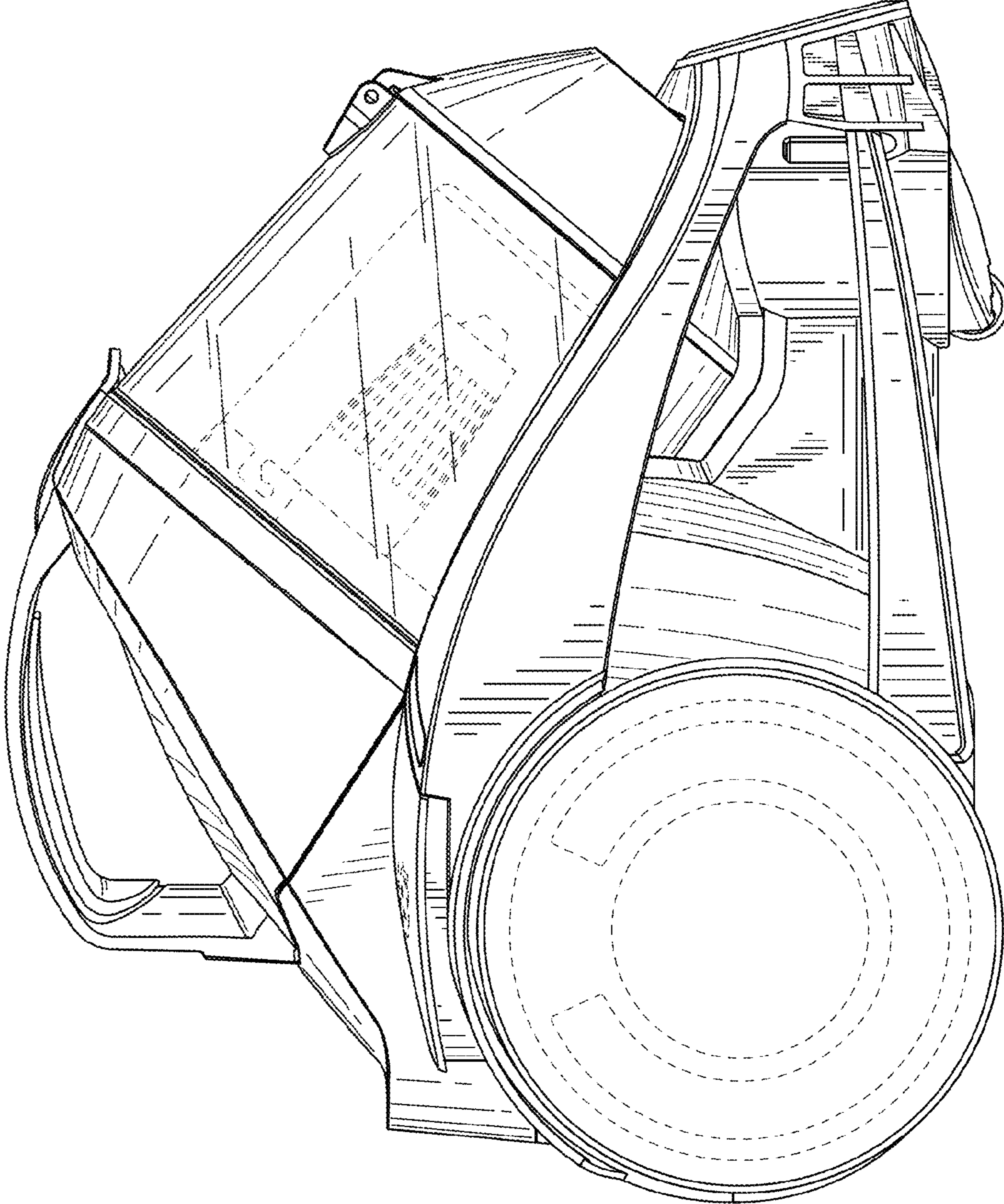


FIG. 6

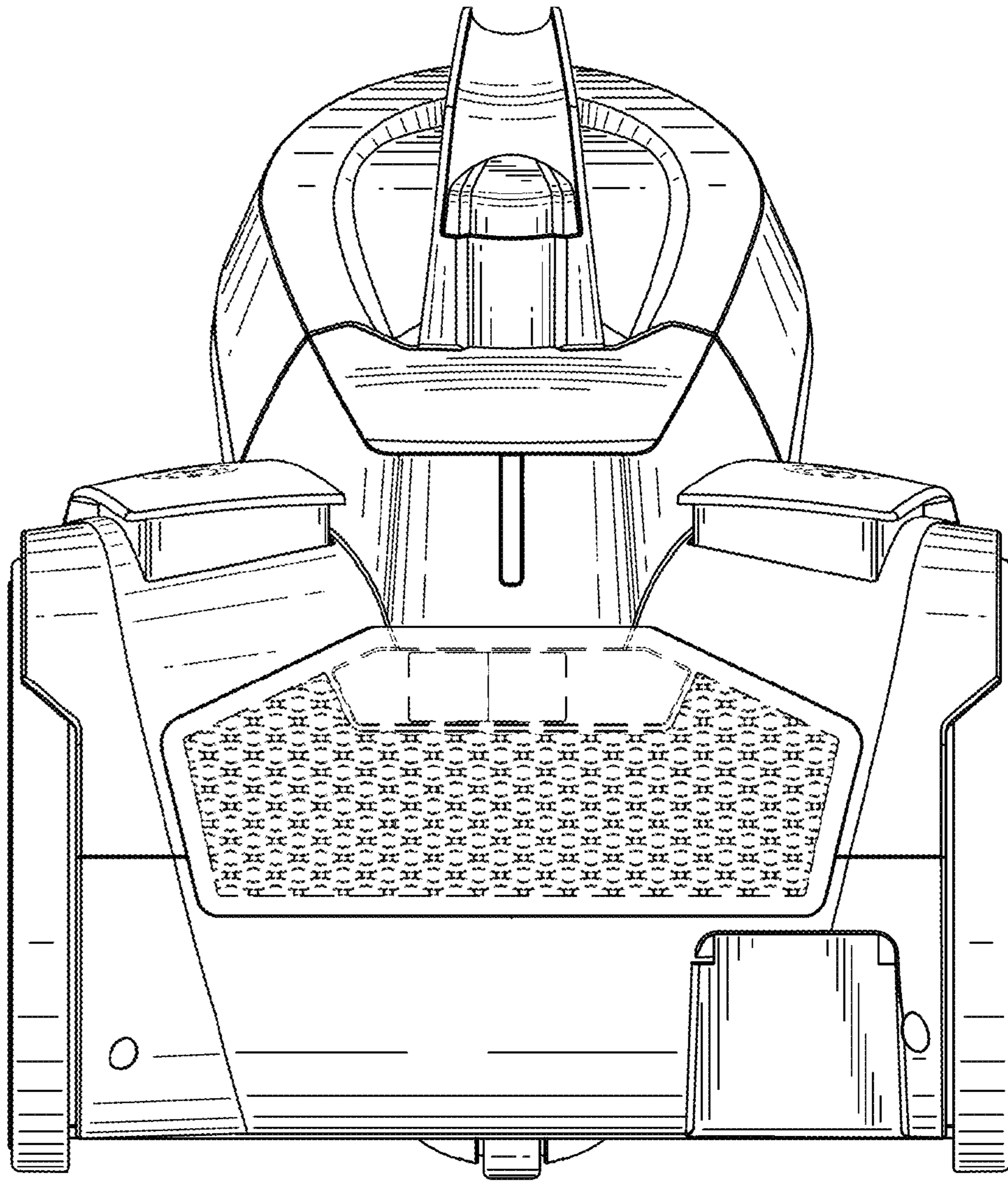


FIG. 7