



US00D714498S

(12) **United States Design Patent**  
**Khubani**

(10) **Patent No.:** **US D714,498 S**  
(45) **Date of Patent:** **\*\* Sep. 30, 2014**

(54) **ANTI-BARK COLLAR MODULE**  
(71) Applicant: **OnTel Products Corporation**, Fairfield,  
NJ (US)  
(72) Inventor: **Ashok Khubani**, Fairfield, NJ (US)  
(73) Assignee: **Ontel Products Corporation**, Fairfield,  
NJ (US)

D515,751 S 2/2006 Fleetwood  
D520,894 S \* 5/2006 Zakharyan ..... D30/199  
D555,298 S 11/2007 Garon  
7,658,166 B1 \* 2/2010 Rheinschmidt et al. .... 119/718  
7,930,993 B2 \* 4/2011 Gross ..... 119/51.02  
7,992,525 B1 \* 8/2011 Fisher ..... 119/860  
8,091,512 B2 \* 1/2012 So ..... 119/719  
8,161,915 B2 \* 4/2012 Kim ..... 119/718  
2003/0230248 A1 \* 12/2003 Hotmer ..... 119/718  
2006/0249147 A1 11/2006 Garon  
2007/0261645 A1 \* 11/2007 Van de Merwe et al. .... 119/792

(\*\*) Term: **14 Years**

**FOREIGN PATENT DOCUMENTS**

(21) Appl. No.: **29/471,696**  
(22) Filed: **Nov. 4, 2013**  
(51) **LOC (10) Cl.** ..... **30-99**  
(52) **U.S. Cl.**  
USPC ..... **D30/199; D30/152**  
(58) **Field of Classification Search**  
CPC . A01K 15/021; A01K 15/022; A01K 15/023;  
A01K 15/02; A01K 15/04; A01K 11/006;  
A01K 27/006; A01K 27/009  
USPC ..... D30/144, 145, 151, 152, 153, 155, 199;  
D10/104.1, 104.2; 119/51.02, 712,  
119/718, 719, 720, 721, 856, 858, 859,  
119/860; 340/573.1, 573.3, 573.4; 174/176,  
174/188

CA 2367377 A1 9/2000  
CA 2376088 C 12/2000  
CA 2589763 A1 6/2006  
CA 2603909 A1 10/2006

\* cited by examiner

*Primary Examiner* — Mark K Holtje  
(74) *Attorney, Agent, or Firm* — Epstein Drangel LLP;  
Robert L. Epstein

See application file for complete search history.

(57) **CLAIM**  
The ornamental design for an anti-bark collar module, sub-  
stantially as shown and described.

**DESCRIPTION**

(56) **References Cited**

**U.S. PATENT DOCUMENTS**

4,627,385 A \* 12/1986 Vinci ..... 119/718  
5,046,453 A 9/1991 Vinci  
5,927,233 A 7/1999 Mainini  
6,216,925 B1 4/2001 Garon  
6,223,744 B1 5/2001 Garon  
D445,352 S \* 7/2001 So ..... D30/199  
6,588,376 B1 7/2003 Groh  
6,604,490 B1 8/2003 Lee, IV  
6,668,760 B2 12/2003 Groh

FIG. 1 is an isometric view of the front, bottom, and right side  
of an anti-bark collar module showing my new design;  
FIG. 2 is an isometric view of the rear, bottom, and left side  
thereof;  
FIG. 3 is a bottom plan view thereof;  
FIG. 4 is a top plan view thereof;  
FIG. 5 is a right side view, the left side being a mirror image  
thereof;  
FIG. 6 is a front view; and,  
FIG. 7 is a rear view thereof.

**1 Claim, 4 Drawing Sheets**

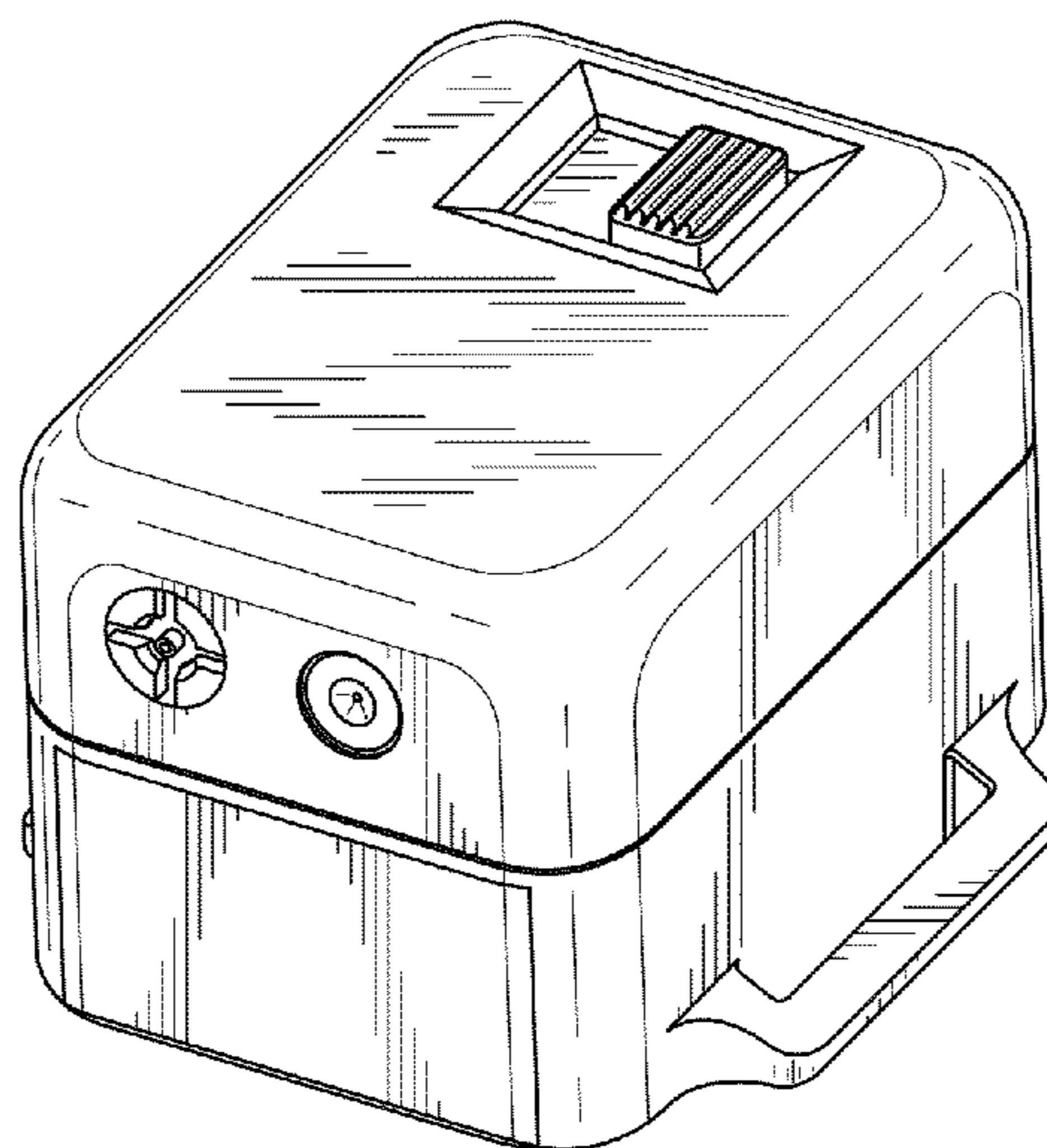


FIG. 1

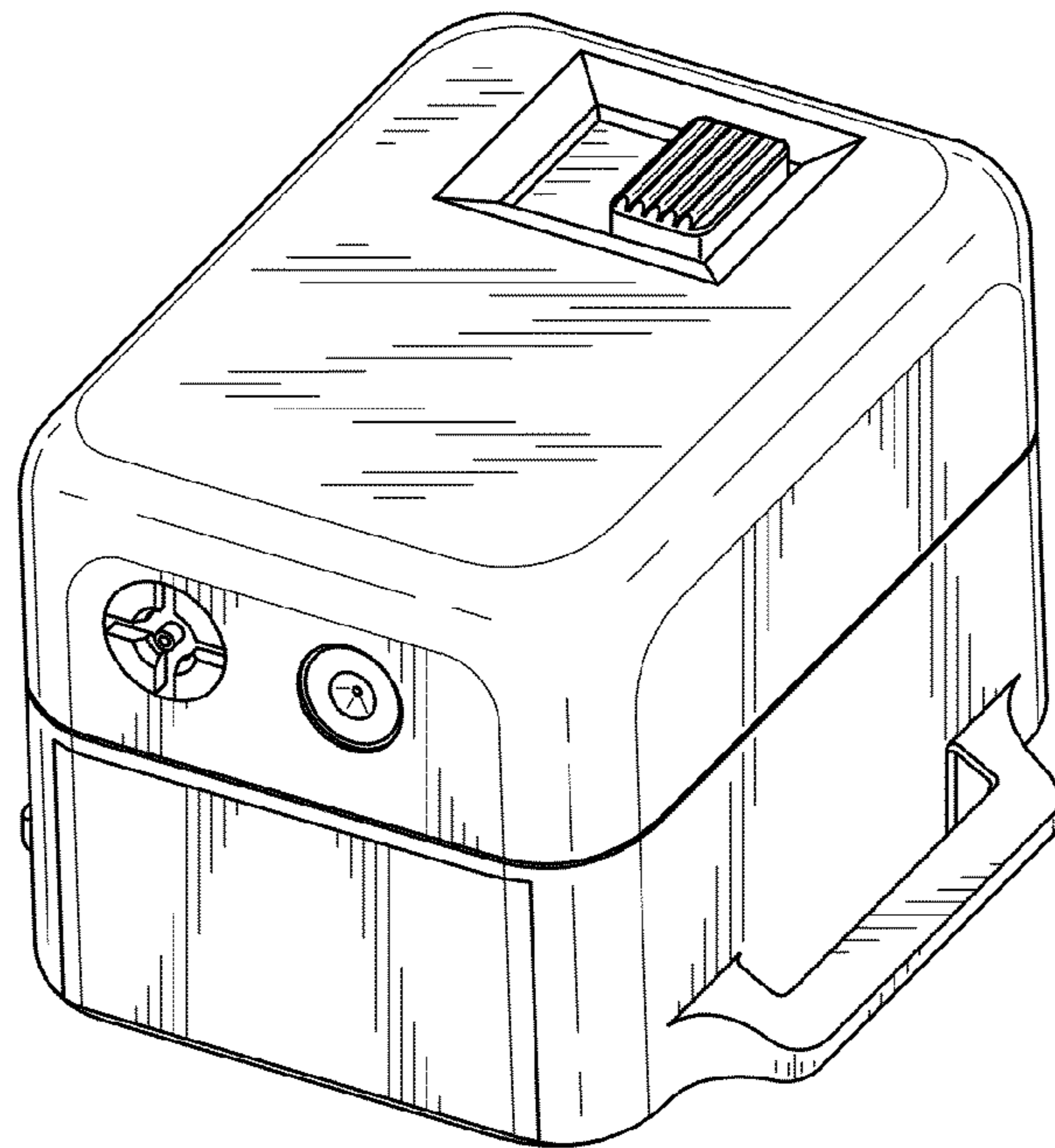


FIG. 2

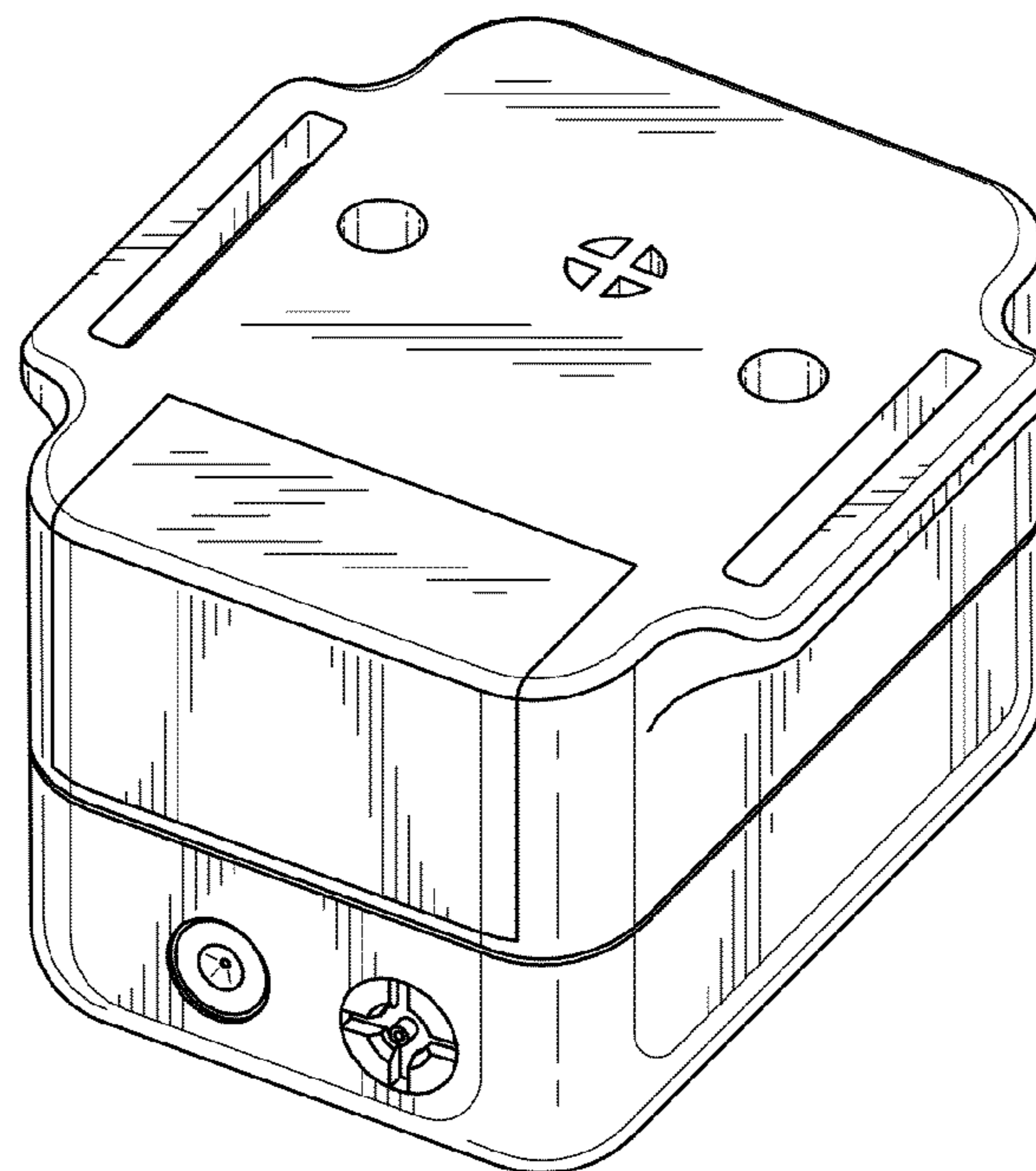


FIG. 3

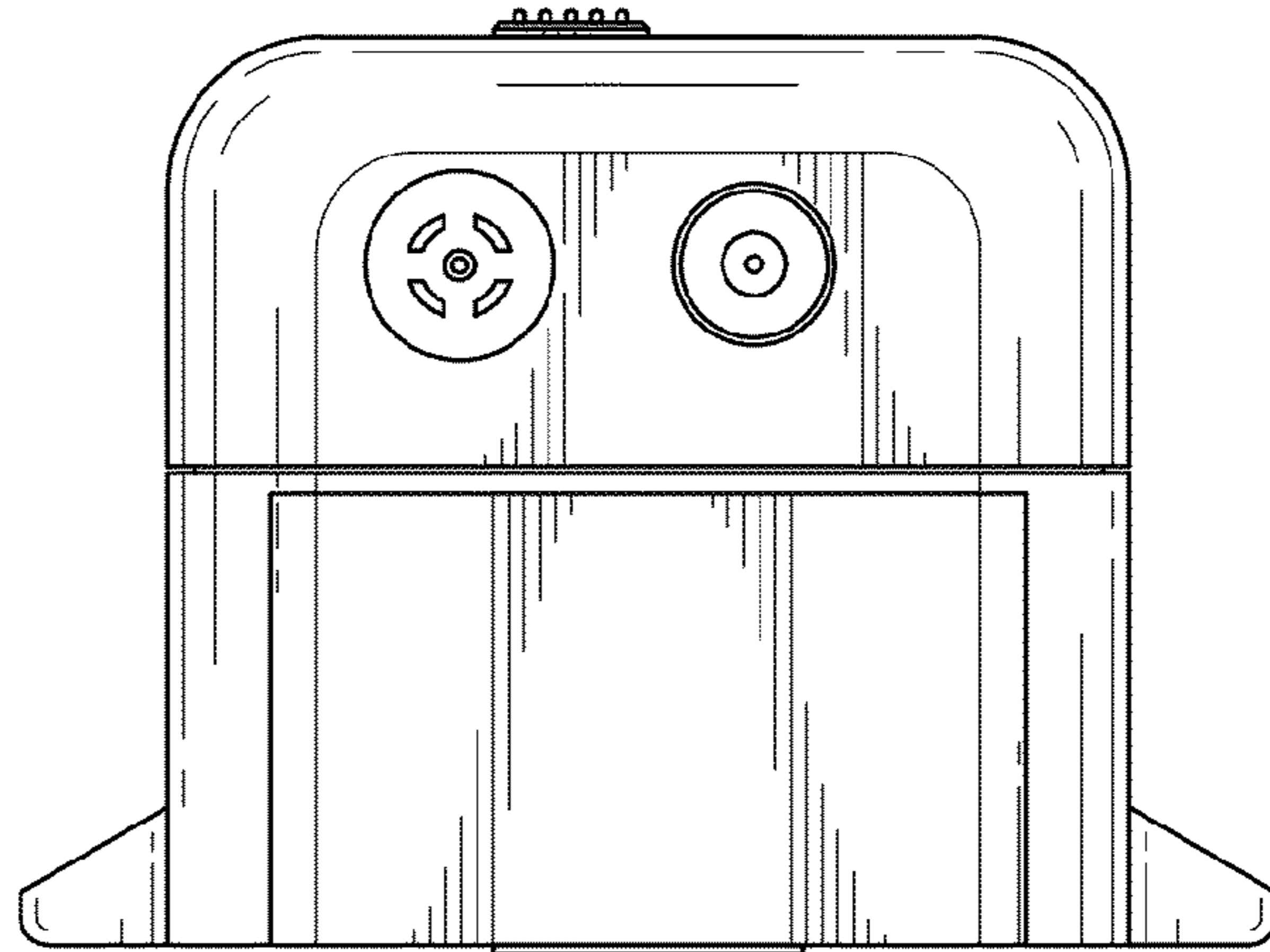
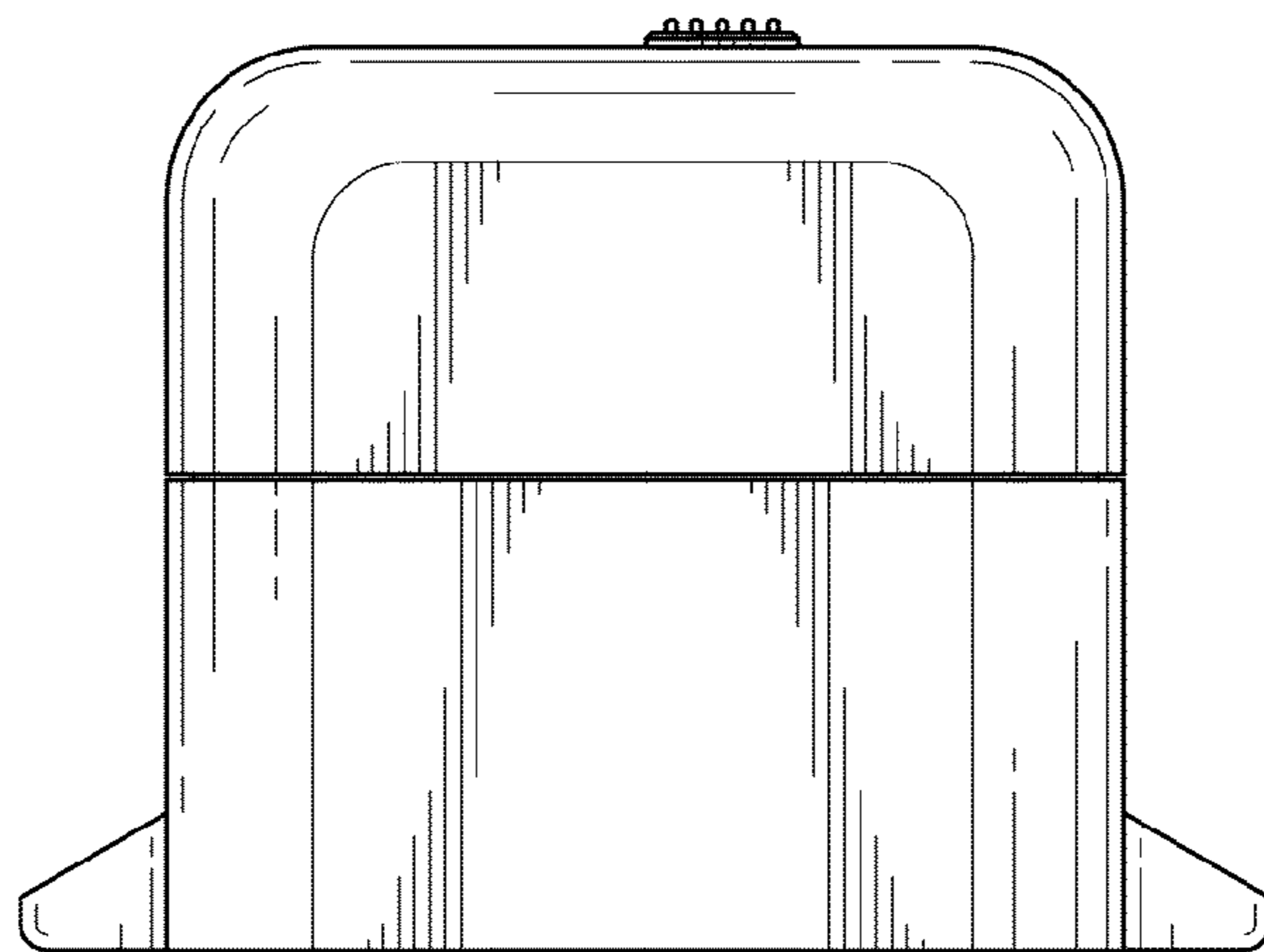


FIG. 4



*FIG. 5*

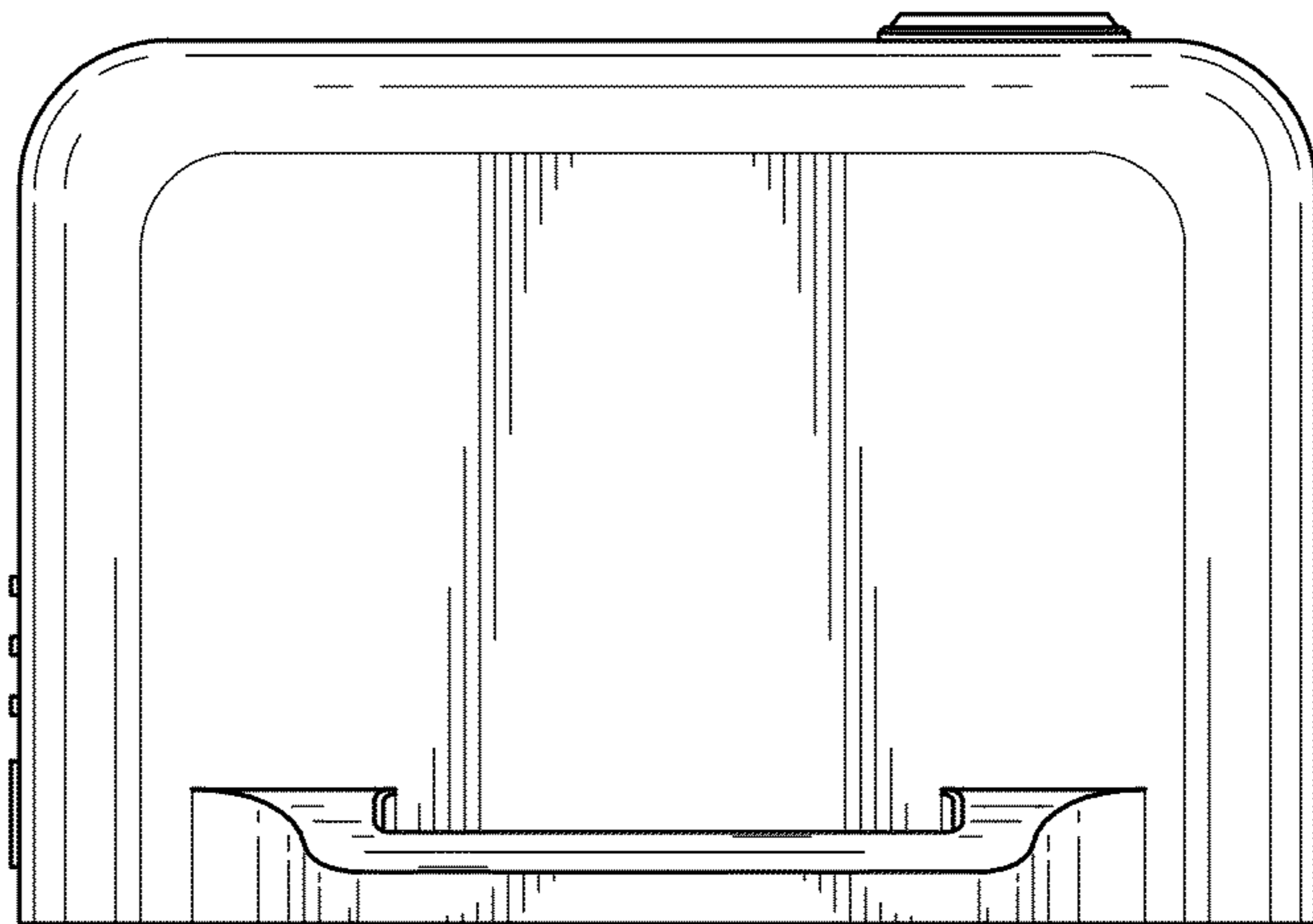


FIG. 7

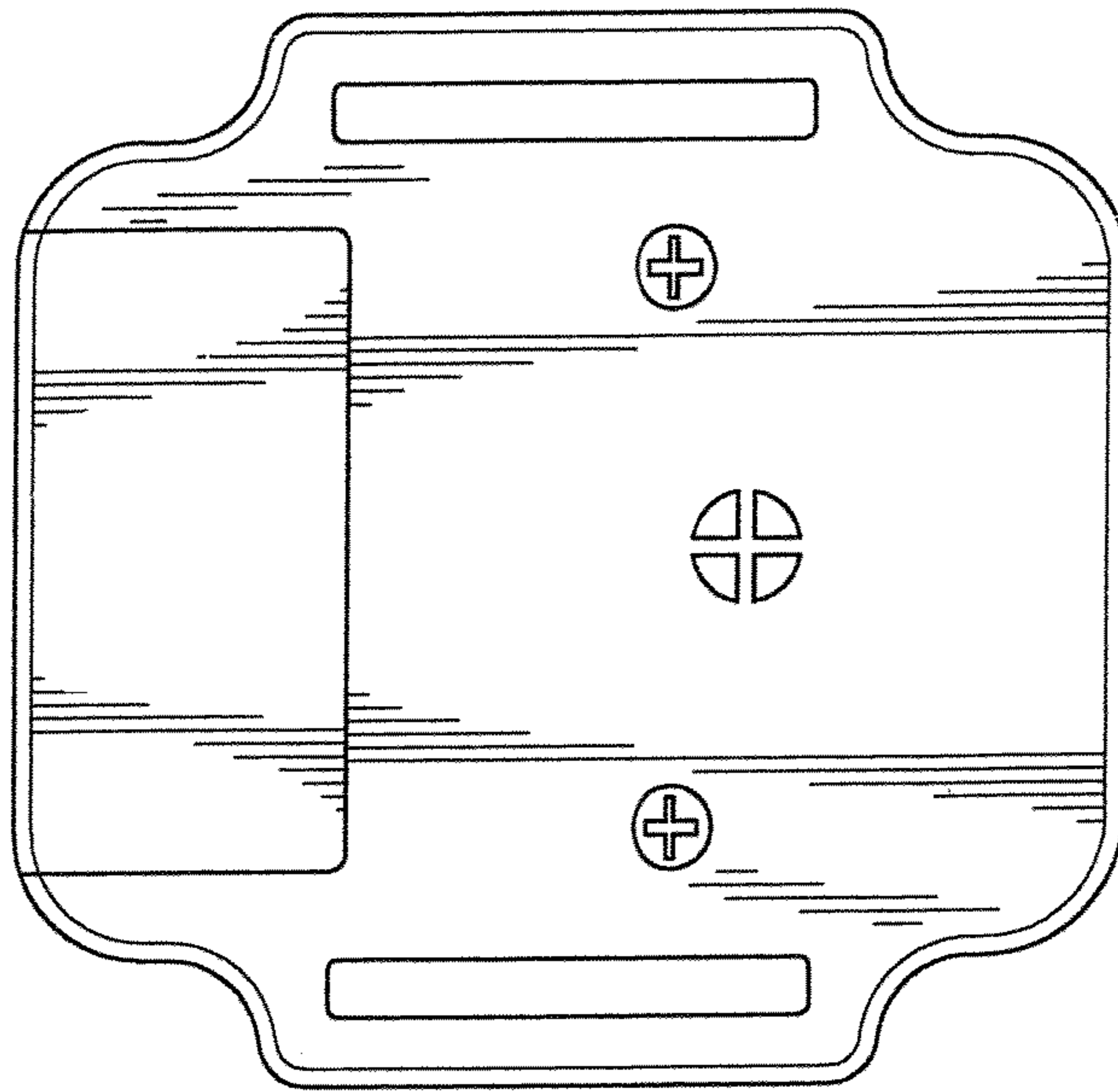


FIG. 6

