



US00D714496S

(12) **United States Design Patent**
Lown et al.

(10) **Patent No.:** **US D714,496 S**
(45) **Date of Patent:** **** Sep. 30, 2014**

(54) **MITT**

FOREIGN PATENT DOCUMENTS

(71) Applicant: **Lifetime Brands, Inc.**, Garden City, NY (US)

EM 001183354-0001 * 1/2010

(72) Inventors: **Aaron Lown**, Tuxedo, NY (US); **John Roscoe Swartz**, Ridgewood, NJ (US)

OTHER PUBLICATIONS

(73) Assignee: **Lifetime Brands, Inc.**, Garden City, NY (US)

Built New Sizzler Extra-Long Protective Oven Mitt [on-line]; retrieved from the Internet on Jun. 2, 2014. URL: ><http://www.swissknifeshop.com/shop/kitchen/accessories/built-new-sizzler-extra-long-protective-oven-mitt><. (1 page).*

(**) Term: **14 Years**

(Continued)

(21) Appl. No.: **29/441,490**

Primary Examiner — Karen E Eldridge Powers

(22) Filed: **Jan. 6, 2013**

(74) *Attorney, Agent, or Firm* — Tutunjian & Bitetto, P.C.

(51) **LOC (10) Cl.** **02-06**

(52) **U.S. Cl.**
USPC **D29/118**

(57) **CLAIM**

The ornamental design for a mitt, as shown and described.

(58) **Field of Classification Search**

USPC D3/215, 218, 224, 226, 235, 271.2;
D2/610, 611, 612, 613, 614, 615, 616,
D2/617, 618, 619, 620, 621, 622, 623;
D21/807; D28/63; D29/113, 114,
D29/116.2, 117.1, 117.2, 118, 119, 120.1,
D29/123; D32/40, 41, 42, 43; 2/158, 159,
2/160, 162, 168; 15/227; 401/7; 446/27,
446/74, 327

DESCRIPTION

See application file for complete search history.

FIG. 1 is a front perspective view of the present invention. FIG. 2 is a front elevation view of the design as shown in FIG. 1. FIG. 3 is a rear elevation view of the design as shown in FIG. 1. FIG. 4 is a left side elevation view of the design as shown in FIG. 1. FIG. 5 is a right side elevation view of the design as shown in FIG. 1. FIG. 6 is a top plan view of the design as shown in FIG. 1; and, FIG. 7 is a bottom plan view of the design as shown in FIG. 1. The dashed broken lines in FIGS. 1-7 indicate disclaimed matter and no claim is made thereto. The disclaimed matter includes the zig-zag stitching shown in dashed lines, the seam lines shown in dashed lines, and the portion of the mitt below the claimed border identifier. The present invention is a design for an oven mitt.

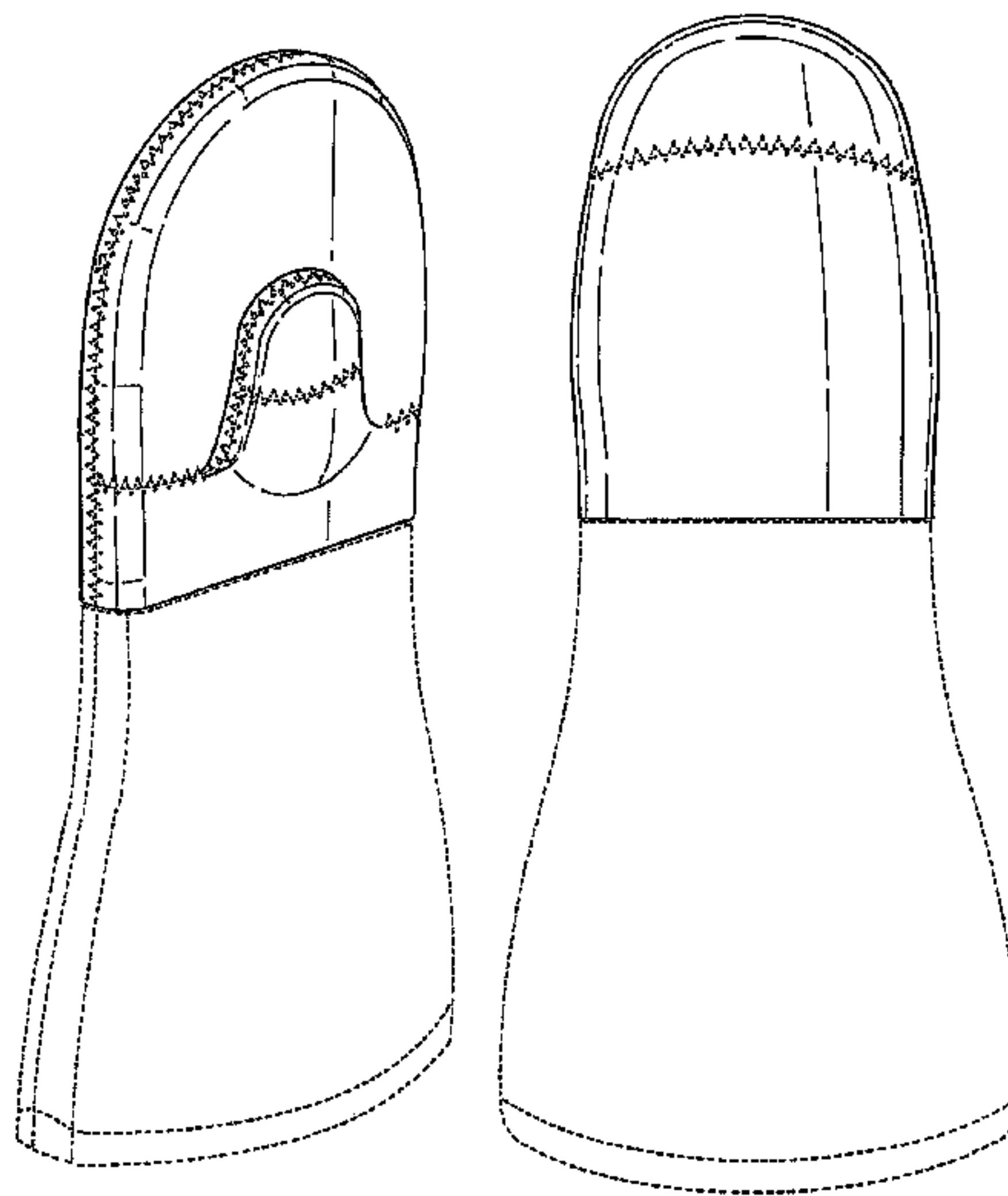
(56) **References Cited**

U.S. PATENT DOCUMENTS

D188,035 S * 5/1960 Mackay D2/622
5,361,415 A * 11/1994 Deering et al. 2/158
D512,540 S * 12/2005 Salzman D30/158
D513,363 S 1/2006 Lown et al.
D514,803 S 2/2006 Lown et al.
D517,797 S 3/2006 Lown et al.
D517,798 S 3/2006 Lown et al.
D518,631 S 4/2006 Lown et al.
D520,229 S 5/2006 Lown et al.

(Continued)

1 Claim, 5 Drawing Sheets



(56)

References Cited

U.S. PATENT DOCUMENTS

D525,766 S 8/2006 Lown et al.
 D525,776 S 8/2006 Lown et al.
 D526,765 S 8/2006 Lown et al.
 D529,278 S 10/2006 Lown et al.
 D529,709 S 10/2006 Lown et al.
 D531,458 S 11/2006 Lown et al.
 D533,415 S 12/2006 Lown et al.
 D533,752 S 12/2006 Lown et al.
 D534,772 S 1/2007 Lown et al.
 D535,859 S 1/2007 Lown et al.
 7,219,814 B2 5/2007 Lown et al.
 D544,152 S * 6/2007 Lion et al. D29/113
 D549,445 S 8/2007 Lown et al.
 D549,446 S 8/2007 Lown et al.
 D555,352 S 11/2007 Lown et al.
 D560,977 S 2/2008 Lown et al.
 D561,574 S 2/2008 Lown et al.
 D562,646 S 2/2008 Lown et al.
 D563,784 S 3/2008 Lown et al.
 D564,211 S 3/2008 Lown et al.
 D564,212 S 3/2008 Lown et al.
 D564,215 S 3/2008 Lown et al.
 D566,363 S 4/2008 Lown et al.
 7,353,952 B2 4/2008 Lown et al.
 D569,096 S 5/2008 Lown et al.
 D570,108 S 6/2008 Lown et al.
 D570,109 S 6/2008 Lown et al.
 D570,600 S 6/2008 Lown et al.
 D571,099 S 6/2008 Lown et al.
 D571,629 S 6/2008 Lown et al.
 7,383,590 B1 * 6/2008 Duncan 2/158
 D572,093 S 7/2008 Lown et al.
 7,467,729 B2 12/2008 Lown et al.
 D584,048 S 1/2009 Lown et al.
 D584,146 S 1/2009 Lown et al.
 D584,147 S 1/2009 Lown et al.
 D584,510 S 1/2009 Lown et al.
 D584,929 S 1/2009 Lown et al.
 D584,930 S 1/2009 Lown et al.
 D586,555 S 2/2009 Lown et al.
 D586,556 S 2/2009 Lown et al.
 D586,631 S 2/2009 Lown et al.
 D587,004 S 2/2009 Lown et al.
 D588,356 S 3/2009 Lown et al.
 D588,422 S 3/2009 Lown et al.
 D588,841 S 3/2009 Lown et al.
 D591,508 S 5/2009 Lown et al.
 D591,509 S 5/2009 Lown et al.
 D592,912 S 5/2009 Lown et al.
 D593,786 S 6/2009 Lown et al.
 D594,158 S 6/2009 Lown et al.

D594,648 S 6/2009 Lown et al.
 D594,659 S 6/2009 Lown et al.
 7,546,644 B2 * 6/2009 Bignon et al. 2/161.6
 D596,840 S 7/2009 Lown et al.
 D597,298 S 8/2009 Lown et al.
 D597,299 S 8/2009 Lown et al.
 D597,308 S 8/2009 Lown et al.
 D598,195 S 8/2009 Lown et al.
 D598,643 S 8/2009 Lown et al.
 D598,650 S 8/2009 Lown et al.
 D598,651 S 8/2009 Lown et al.
 D599,546 S 9/2009 Lown et al.
 D599,547 S 9/2009 Lown et al.
 D602,646 S 10/2009 Lown et al.
 D603,158 S 11/2009 Lown et al.
 D604,042 S 11/2009 Lown et al.
 D606,309 S 12/2009 Lown et al.
 D606,310 S 12/2009 Lown et al.
 D606,311 S 12/2009 Lown et al.
 D606,312 S 12/2009 Lown et al.
 D608,090 S 1/2010 Lown et al.
 D609,065 S 2/2010 Lown et al.
 D610,809 S 3/2010 Lown et al.
 D610,885 S 3/2010 Lown et al.
 D611,253 S 3/2010 Lown et al.
 D612,151 S 3/2010 Lown et al.
 D614,402 S 4/2010 Lown et al.
 D616,199 S 5/2010 Lown et al.
 D619,861 S 7/2010 Lown et al.
 D621,154 S 8/2010 Lown et al.
 D622,505 S 8/2010 Lown et al.
 D625,519 S 10/2010 Lown et al.
 D626,798 S 11/2010 Lown et al.
 D627,613 S 11/2010 Lown et al.
 2006/0080757 A1 * 4/2006 Beyda 2/164
 2006/0200892 A1 * 9/2006 Liang 2/158
 2009/0100562 A1 * 4/2009 Liang 2/20

OTHER PUBLICATIONS

Built Sizzler Extra-Long Protective Oven Mitt [on-line]; available at least as early as Aug. 29, 2011; retrieved from the Internet on Jun. 2, 2014. URL: ><http://web.archive.org/web/20070729210255/http://www.swissknifeshop.com/shop/kitchen/built-sizzler-extra-long-protective-oven-mitt.html>. (2 pages).*

U.S. Appl. No. 29/381,880, filed Dec. 23, 2010, Lown, et al.
 U.S. Appl. No. 29/441,281, filed Jan. 3, 2013, Lown, et al.
 U.S. Appl. No. 29/441,278, filed Jan. 3, 2013, Lown, et al.
 U.S. Appl. No. 29/441,491, filed Jan. 6, 2013, Lown, et al.
 U.S. Appl. No. 29/441,492, filed Jan. 6, 2013, Lown, et al.
 U.S. Appl. No. 29/440,468, filed Dec. 21, 2012, Lown, et al.
 U.S. Appl. No. 29/440,475, filed Dec. 21, 2012, Lown, et al.

* cited by examiner

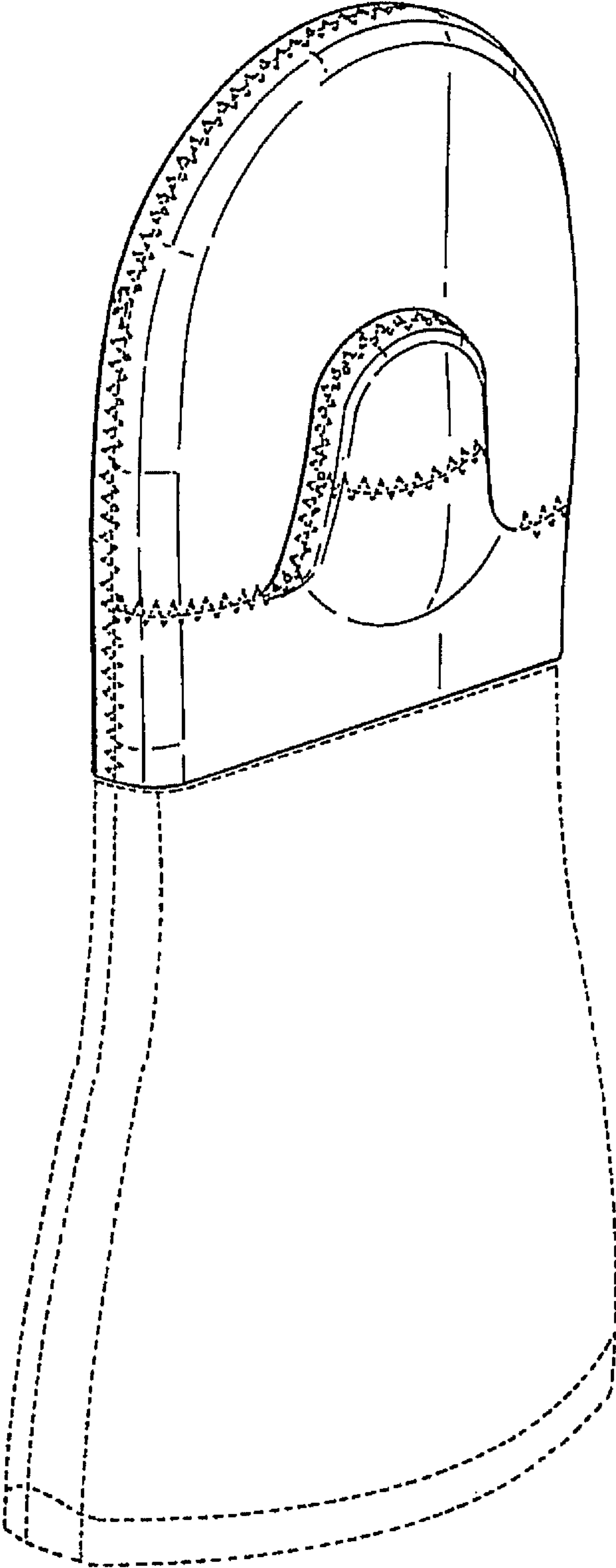


Fig. 1

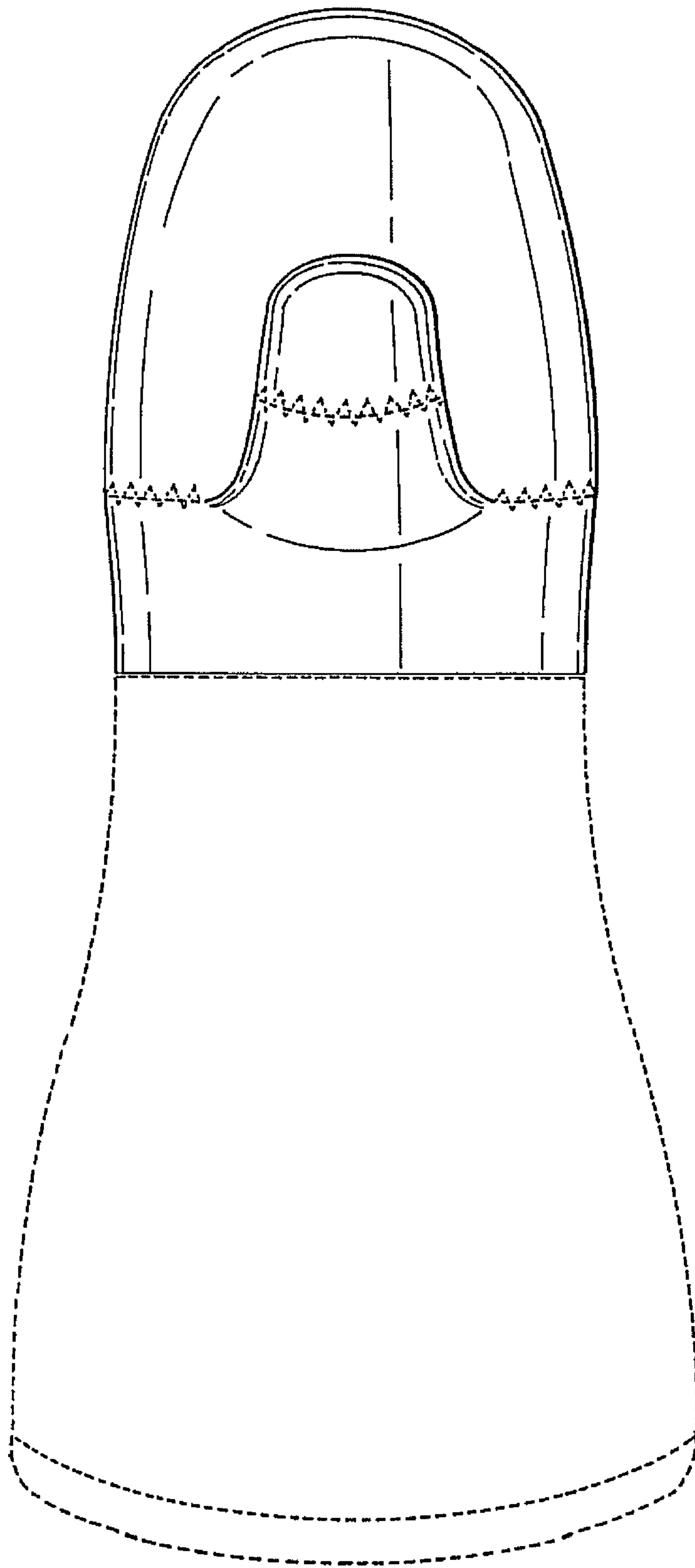


Fig. 2

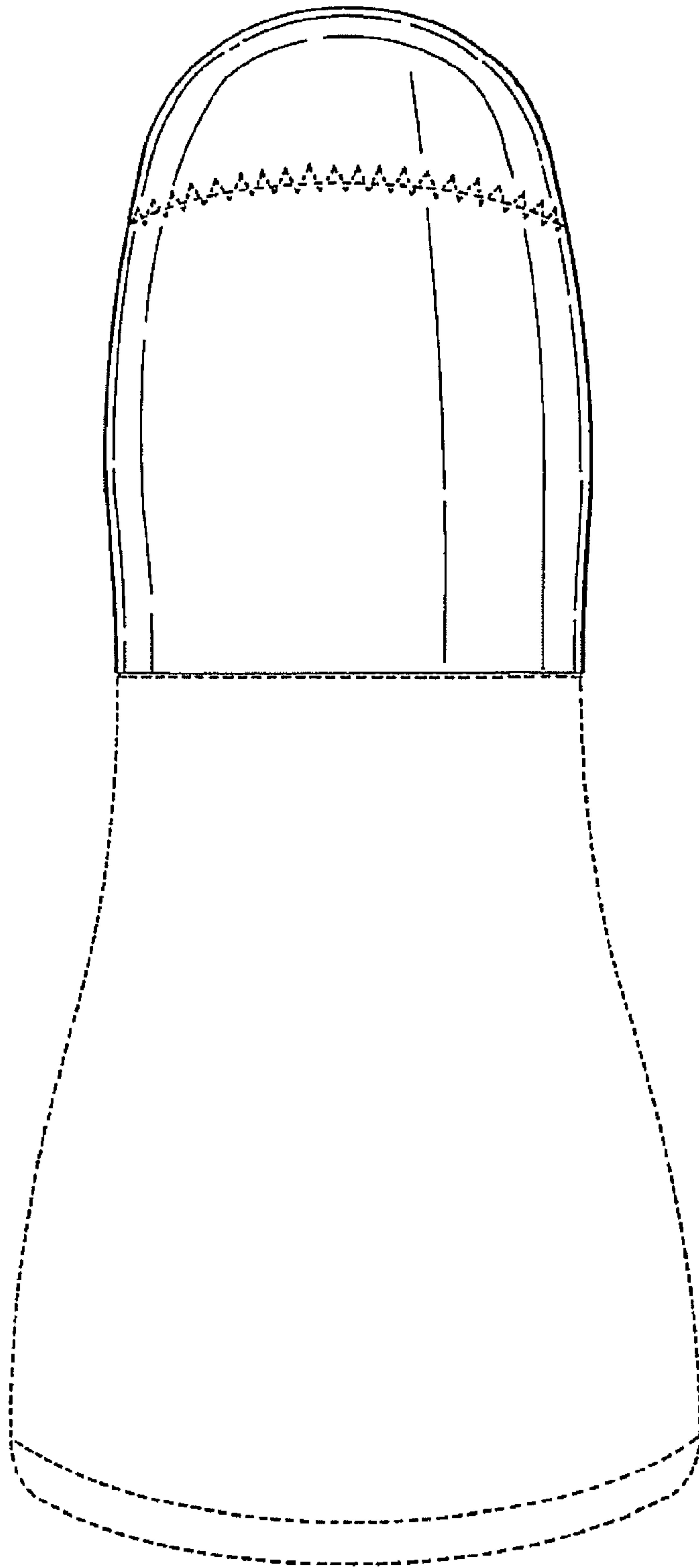


Fig. 3

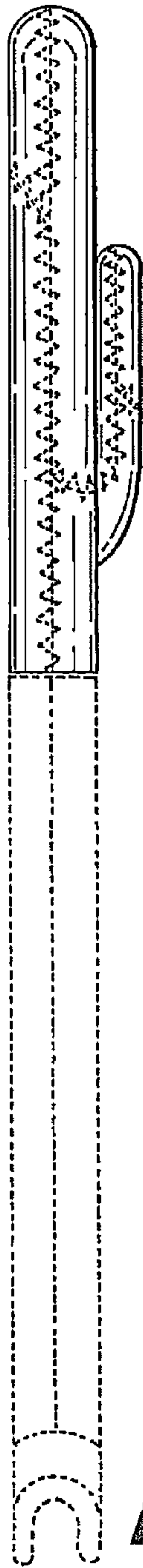


Fig. 4

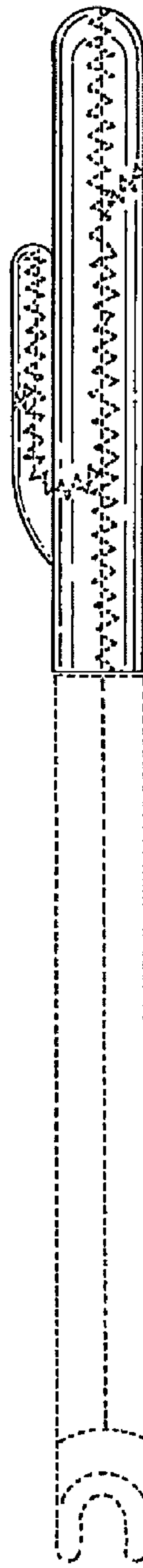


Fig. 5

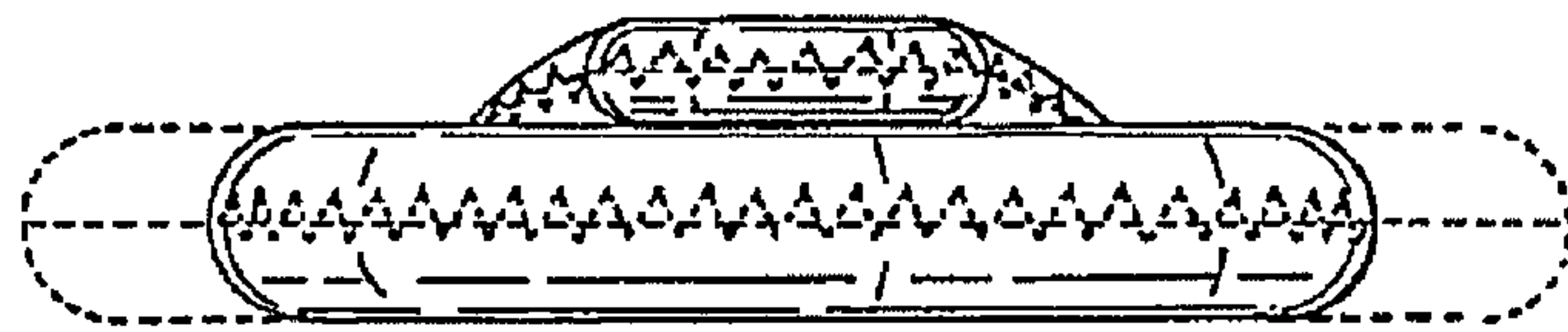


Fig. 6

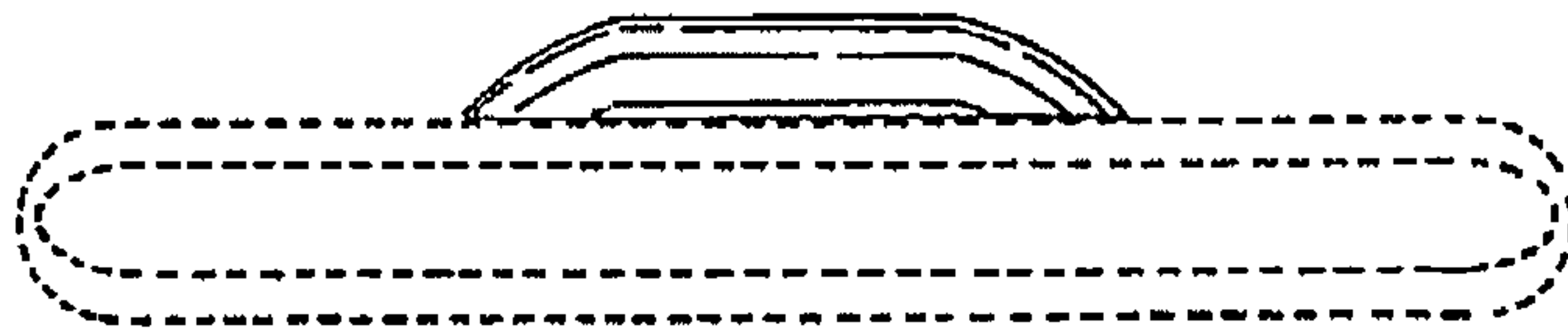


Fig. 7