



US00D714494S

(12) **United States Design Patent**
Vasquez et al.

(10) **Patent No.:** **US D714,494 S**

(45) **Date of Patent:** **** Sep. 30, 2014**

(54) **TWEEZERS WITH LIGHT**

(71) Applicants: **Robert Vasquez**, Chandler, AZ (US);
Brian Freeland, Chandler, AZ (US)

(72) Inventors: **Robert Vasquez**, Chandler, AZ (US);
Brian Freeland, Chandler, AZ (US)

(73) Assignee: **Shawshank Ledz Inc.**, Chandler, AZ
(US)

(**) Term: **14 Years**

(21) Appl. No.: **29/469,279**

(22) Filed: **Oct. 9, 2013**

(51) **LOC (10) Cl.** **28-03**

(52) **U.S. Cl.**
USPC **D28/55**

(58) **Field of Classification Search**
CPC A45D 26/0076; A45D 26/0071; A45D
26/0066; A61B 17/29
USPC D28/55; D24/143; 606/210-211;
294/99.2; 362/157

See application file for complete search history.

(56) **References Cited**

U.S. PATENT DOCUMENTS

D171,264 S *	1/1954	Petersen et al.	D28/55
D506,574 S *	6/2005	Yip	D28/55
D537,208 S *	2/2007	Shaljian	D28/55
D561,942 S *	2/2008	Khubani	D28/55
D569,041 S *	5/2008	Azoulay	D28/55
D588,746 S *	3/2009	Ross	D28/55
D614,355 S *	4/2010	Epstein	D28/55
D627,105 S *	11/2010	Cho	D28/55
D657,496 S *	4/2012	Flatt	D28/55

* cited by examiner

Primary Examiner — Jennifer Rivard

(74) *Attorney, Agent, or Firm* — Raj Abhyanker, P.C.

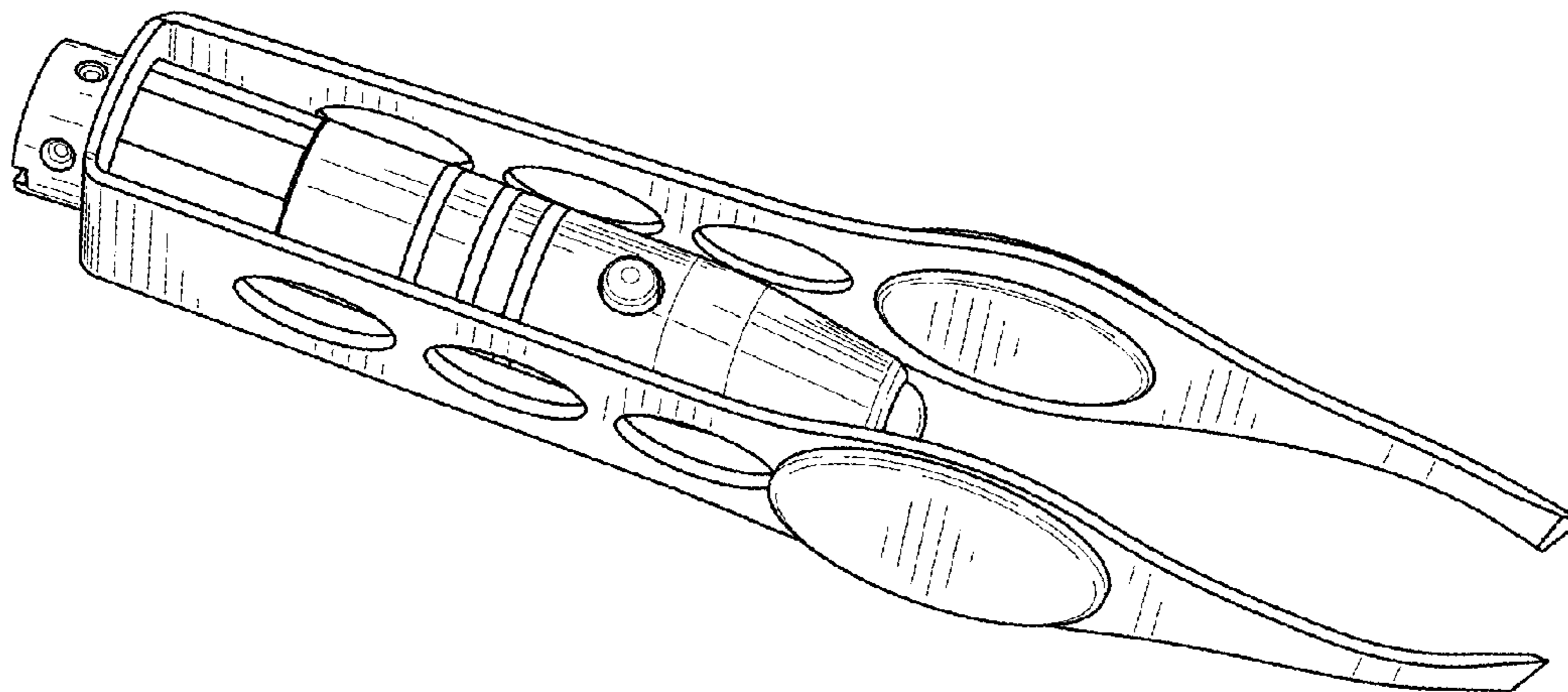
(57) **CLAIM**

The ornamental design for a tweezers with light, as shown and described.

DESCRIPTION

FIG. 1 is a perspective view of a tweezers with light;
FIG. 2 is a left side elevational view thereof;
FIG. 3 is a right side elevational view thereof;
FIG. 4 is a rear elevational view thereof;
FIG. 5 is a front elevational view thereof;
FIG. 6 is a top plan view thereof; and,
FIG. 7 is a bottom plan view thereof.

1 Claim, 2 Drawing Sheets



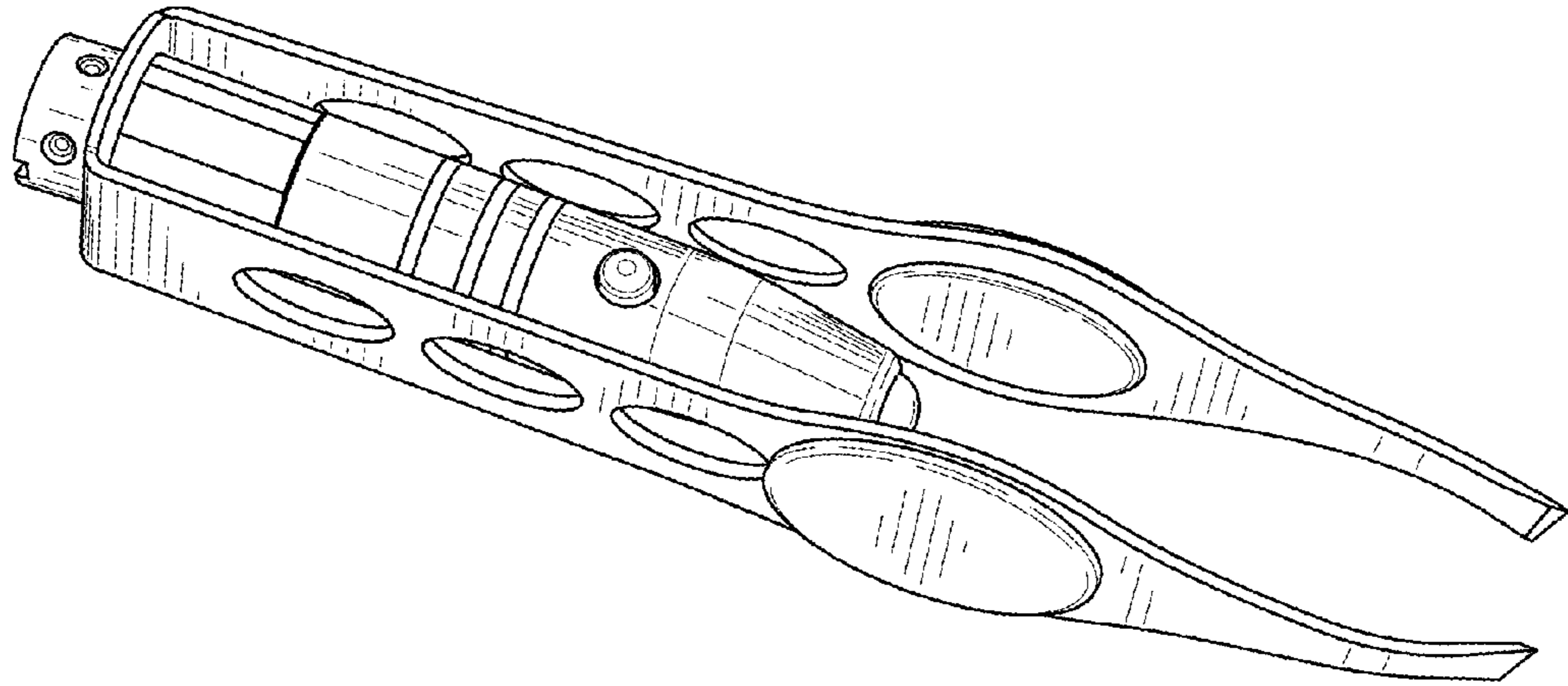


FIG. 1

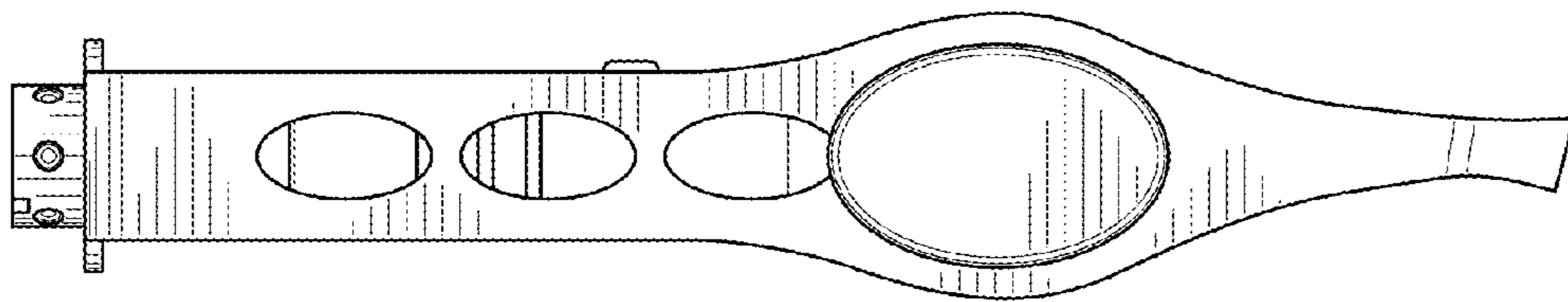


FIG. 2

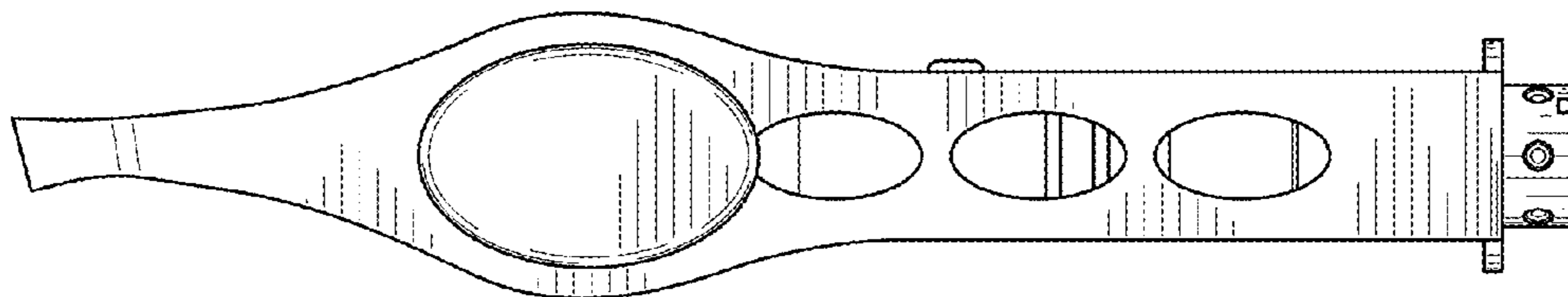


FIG. 3

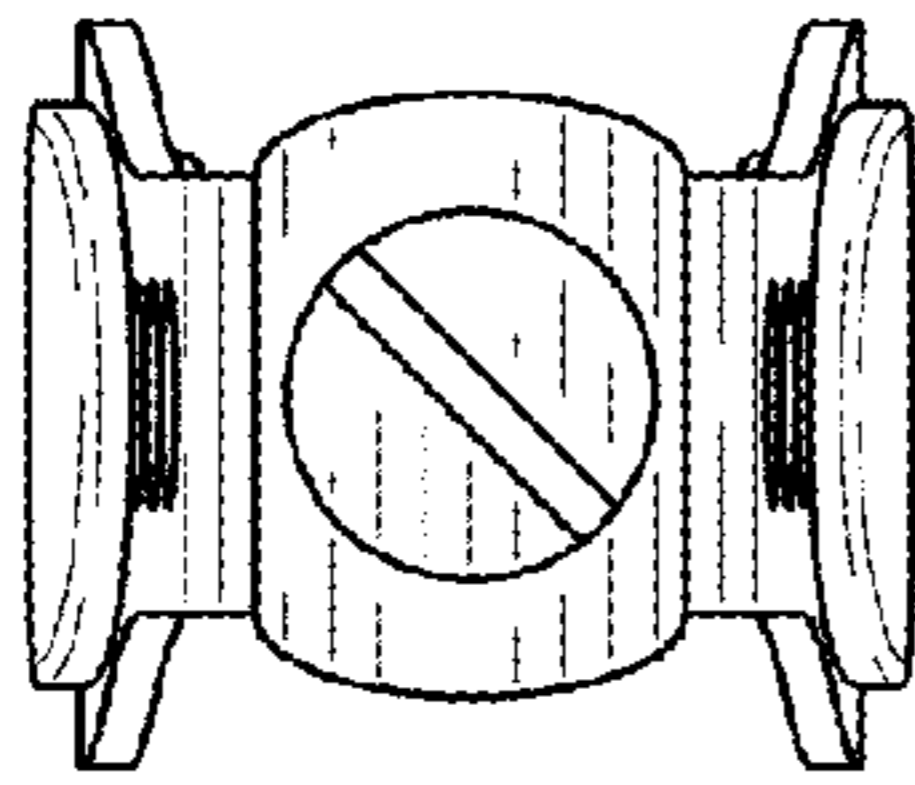


FIG. 4

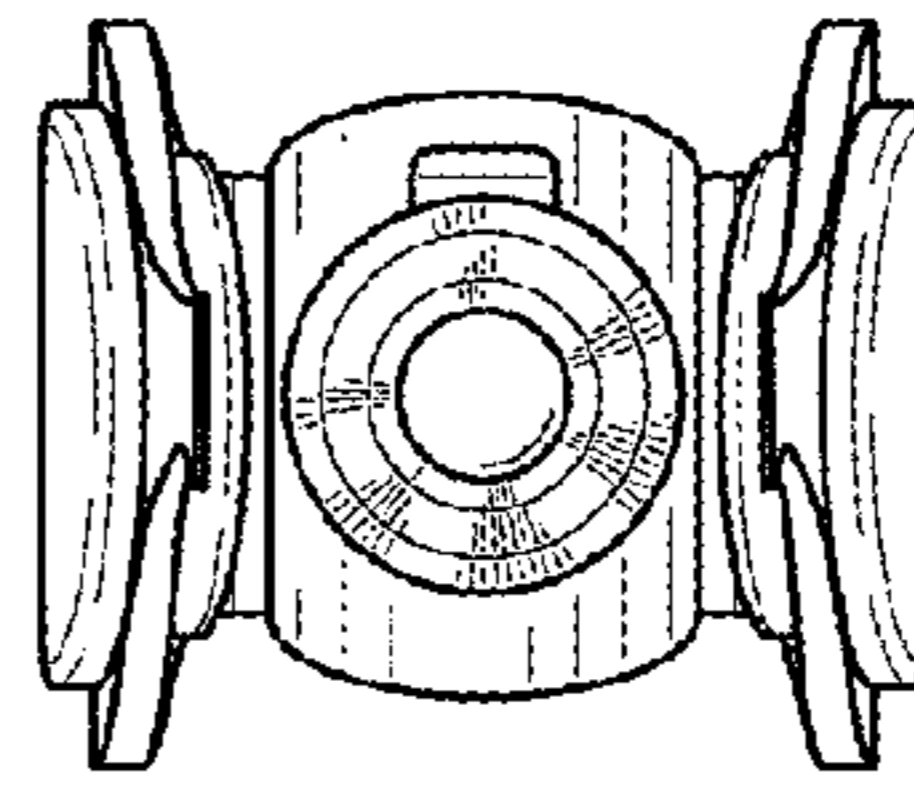


FIG. 5

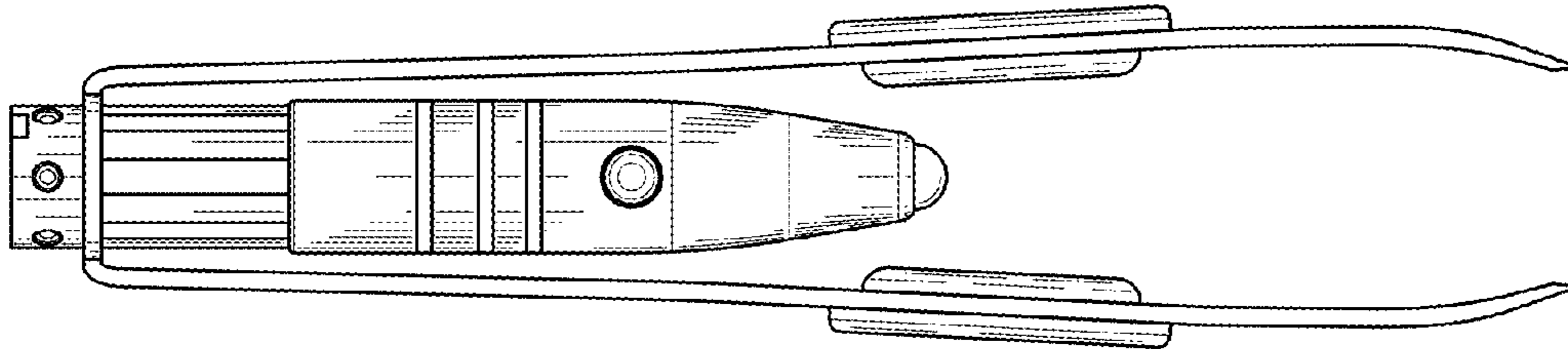


FIG. 6

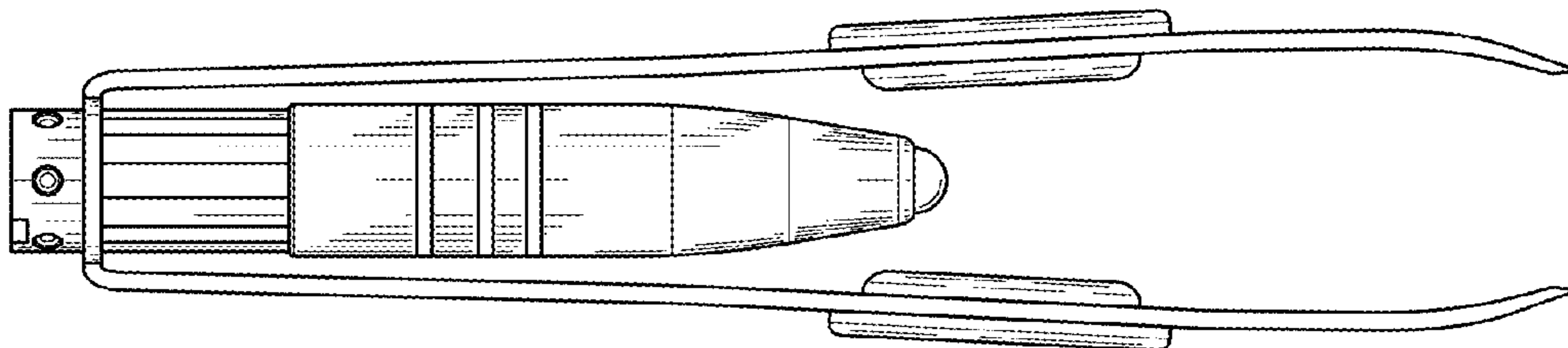


FIG. 7