



US00D714493S

(12) **United States Design Patent**
Liu

(10) **Patent No.:** **US D714,493 S**
(45) **Date of Patent:** **** Sep. 30, 2014**

(54) **HAND DRYER**

(71) Applicant: **Hokwang Industries Co., Ltd.**, New Taipei (TW)

(72) Inventor: **Shen-Chen Liu**, New Taipei (TW)

(73) Assignee: **Hokwang Industries Co., Ltd.**, New Taipei (TW)

(**) Term: **14 Years**

(21) Appl. No.: **29/461,086**

(22) Filed: **Jul. 18, 2013**

(51) **LOC (10) Cl.** **28-03**

(52) **U.S. Cl.**
CPC **F26B 25/06** (2013.01)
USPC **D28/54.1**

(58) **Field of Classification Search**
CPC F26B 25/06
USPC D28/12, 54.1, 58; 34/266, 201, 202;
392/381, 380; D23/357, 361, 385
See application file for complete search history.

(56) **References Cited**

U.S. PATENT DOCUMENTS

D352,365 S * 11/1994 Hansen et al. D28/13
6,751,886 B2 * 6/2004 Chang et al. 34/96

D550,813 S * 9/2007 Lammel et al. D23/238
D646,354 S * 10/2011 Gessi D23/238
D696,386 S * 12/2013 Schoenherr et al. D23/238
D702,322 S * 4/2014 Sieger D23/238
2013/0276321 A1* 10/2013 Courtney et al. 34/97
2013/0283630 A1* 10/2013 Courtney et al. 34/97

* cited by examiner

Primary Examiner — Zenia Bennett

(74) *Attorney, Agent, or Firm* — Muncy, Geissler, Olds & Lowe, P.C.

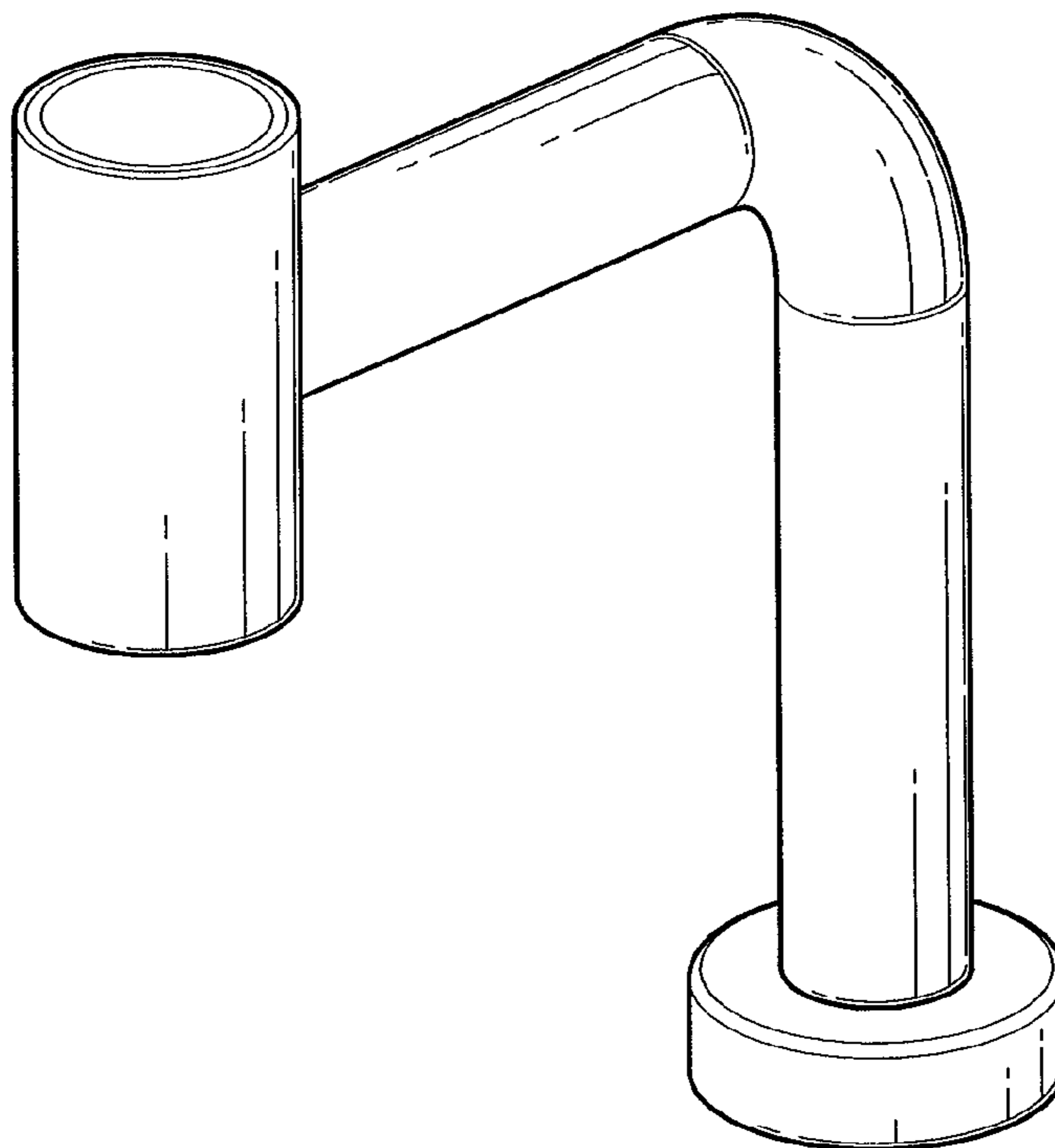
(57) **CLAIM**

The ornamental design for a hand dryer, as shown and described.

DESCRIPTION

FIG. 1 is a perspective view of a hand dryer showing my new design thereof;
FIG. 2 shows that a right side view thereof;
FIG. 3 is a top view thereof;
FIG. 4 is a front side elevation view thereof;
FIG. 5 is a bottom plan view thereof;
FIG. 6 is a rear perspective view thereof;
FIG. 7 is another perspective view hereof; and,
FIG. 8 is another view in use thereof.

1 Claim, 6 Drawing Sheets



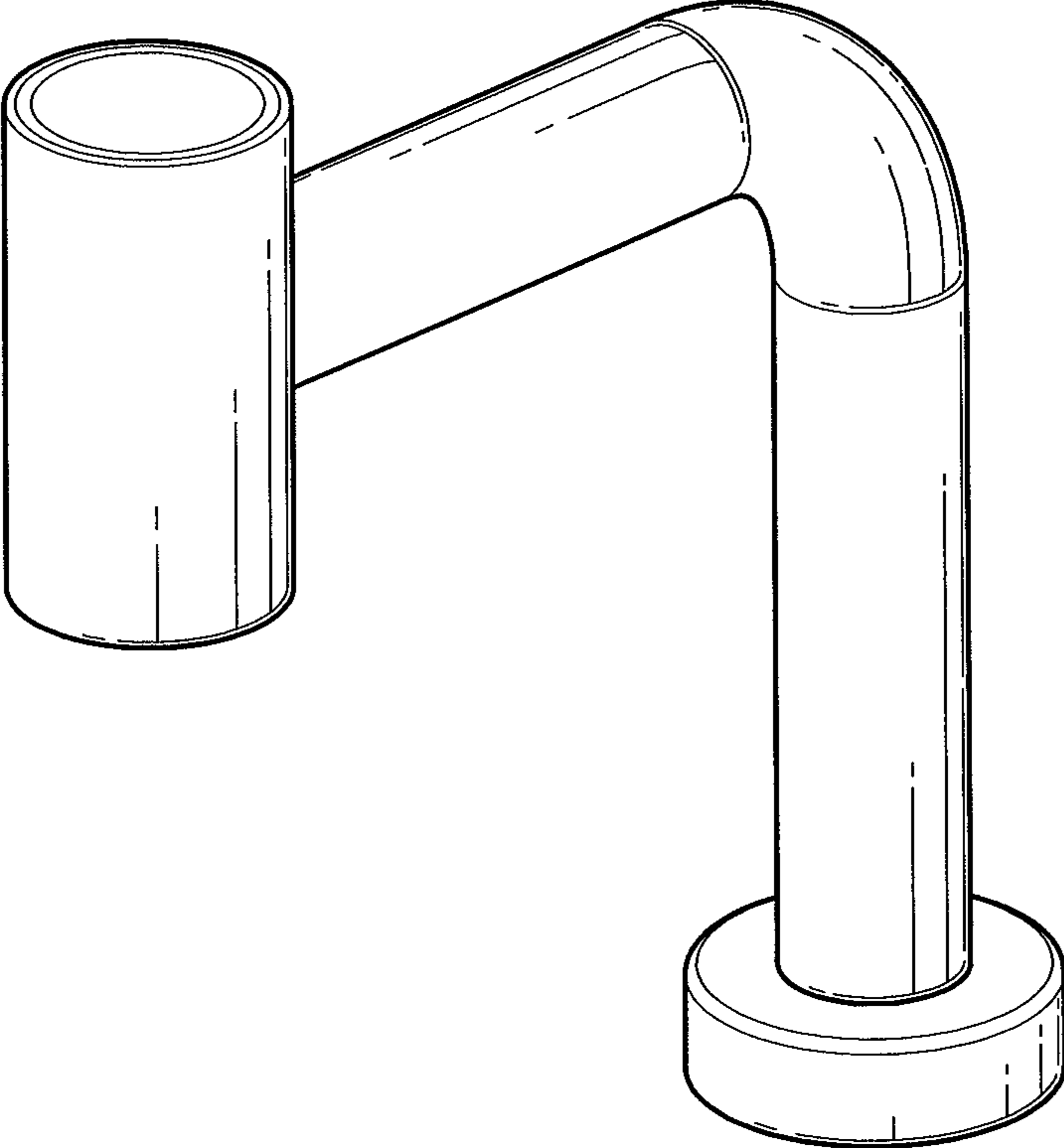


Fig. 1

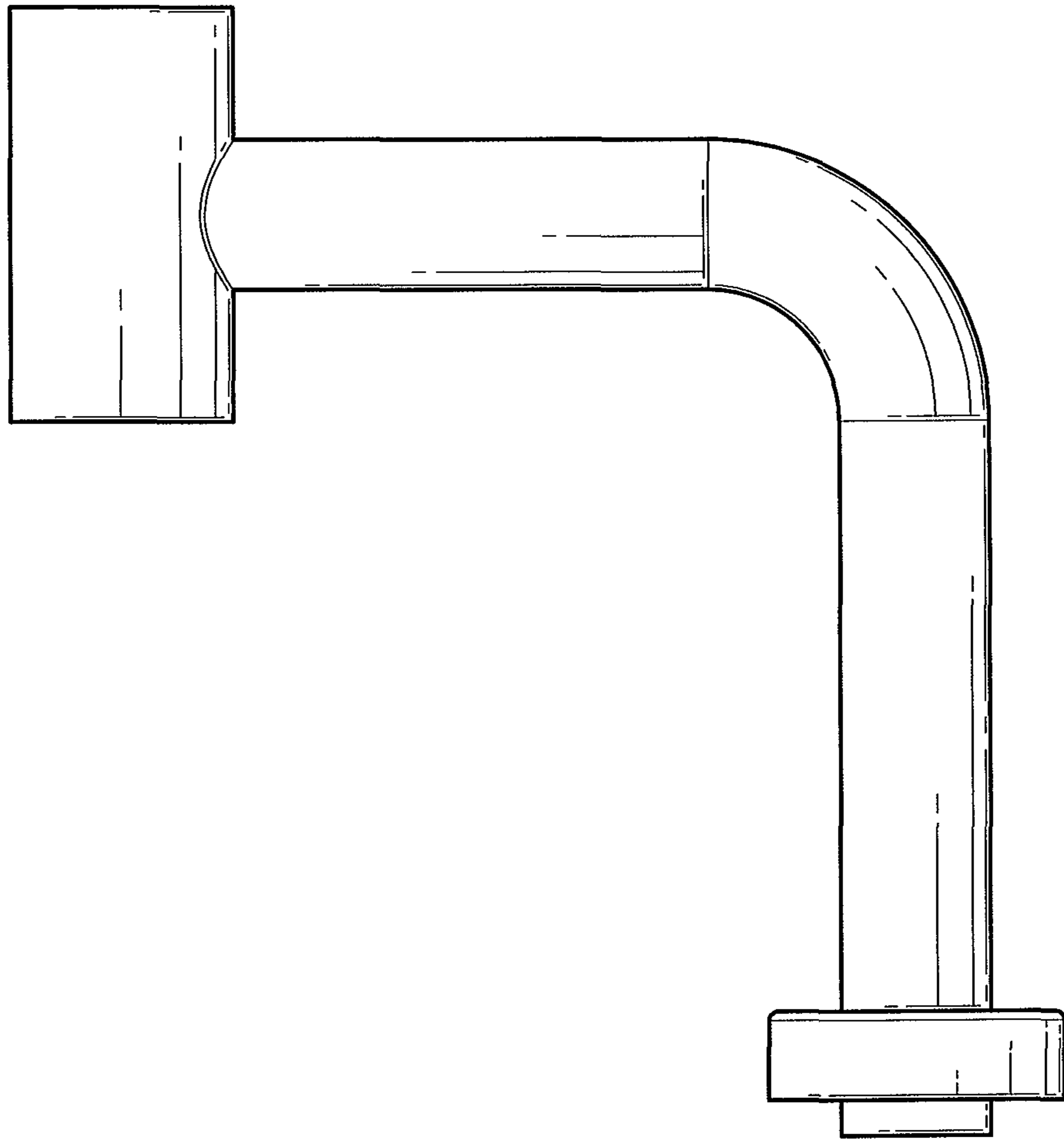


Fig. 2

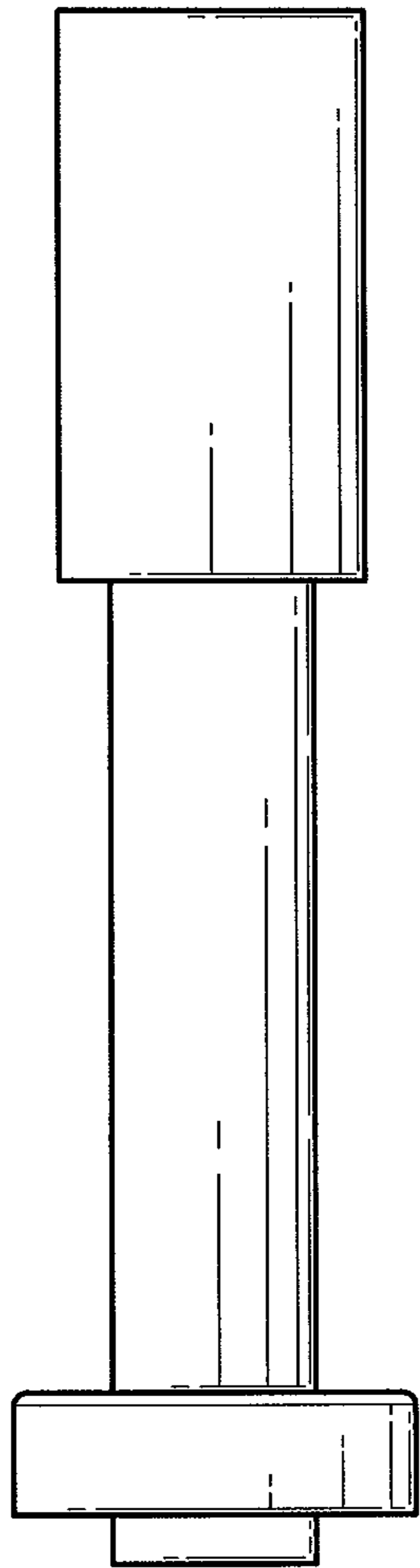


Fig. 4

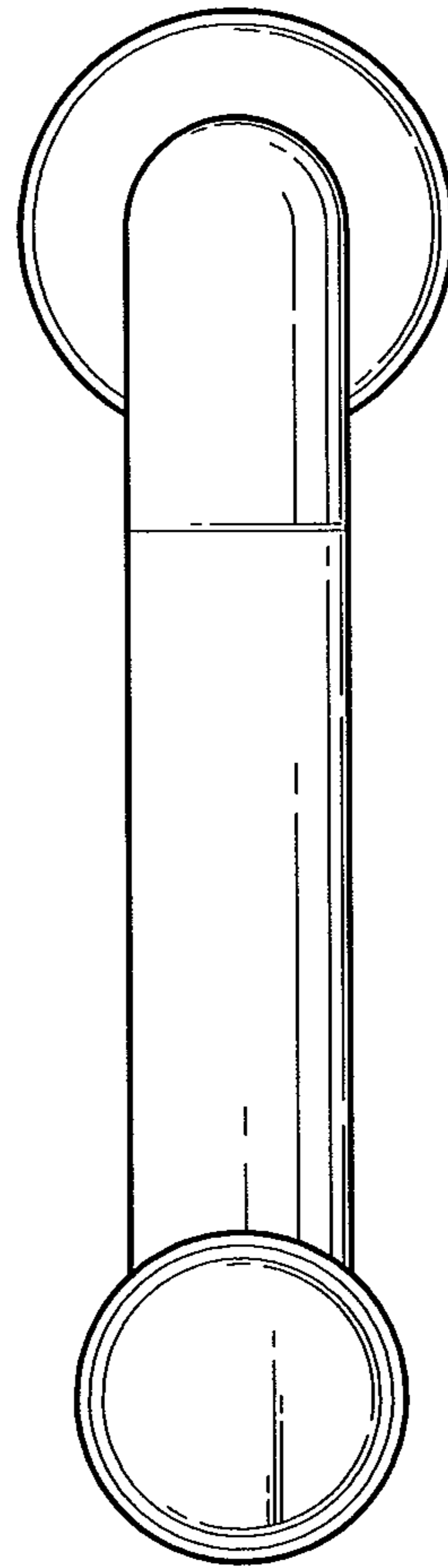


Fig. 3

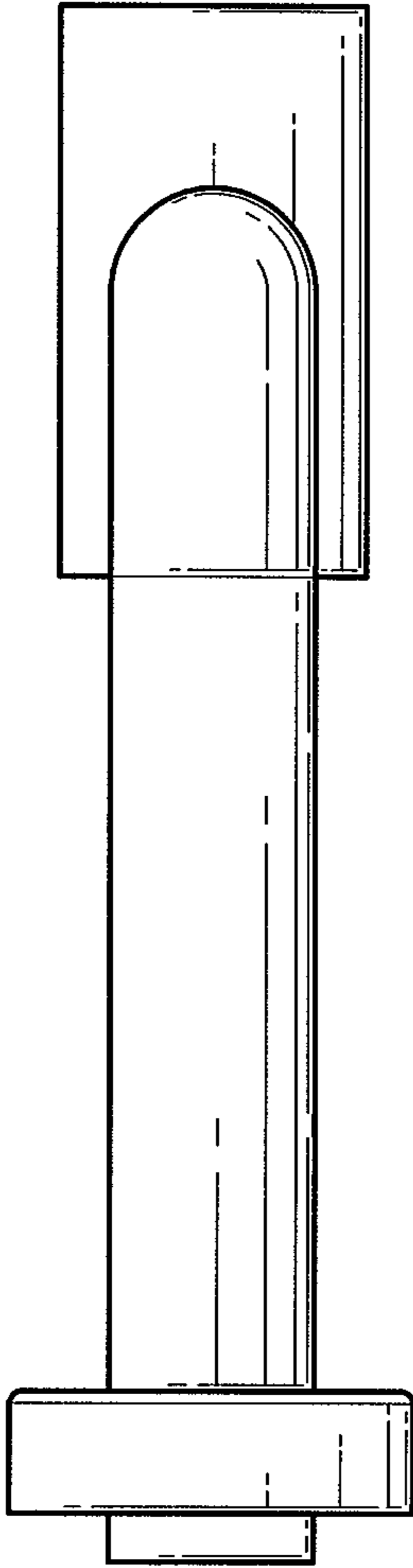


Fig. 6

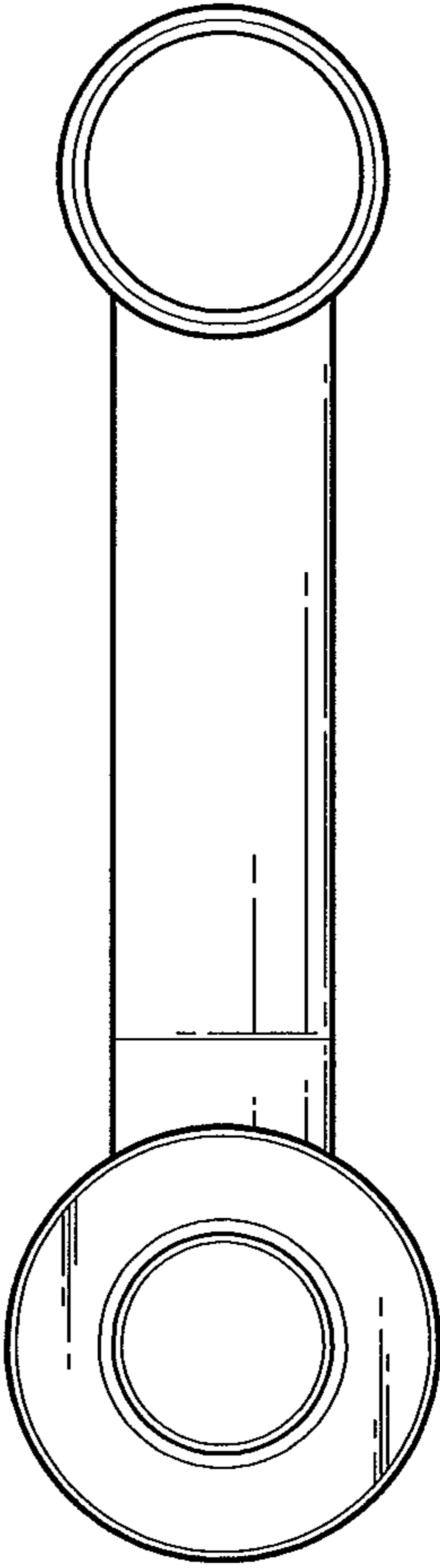


Fig. 5

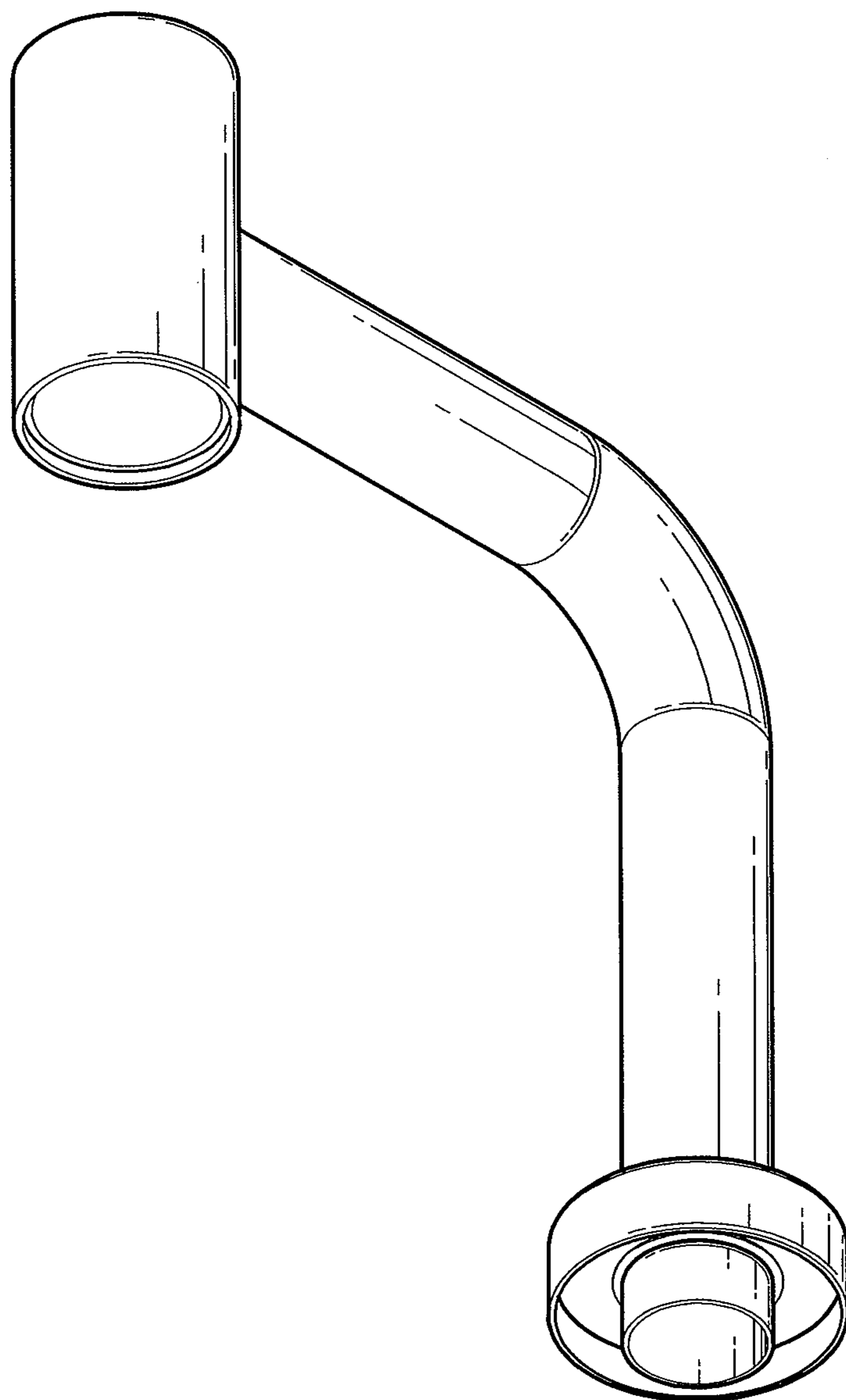


Fig. 7

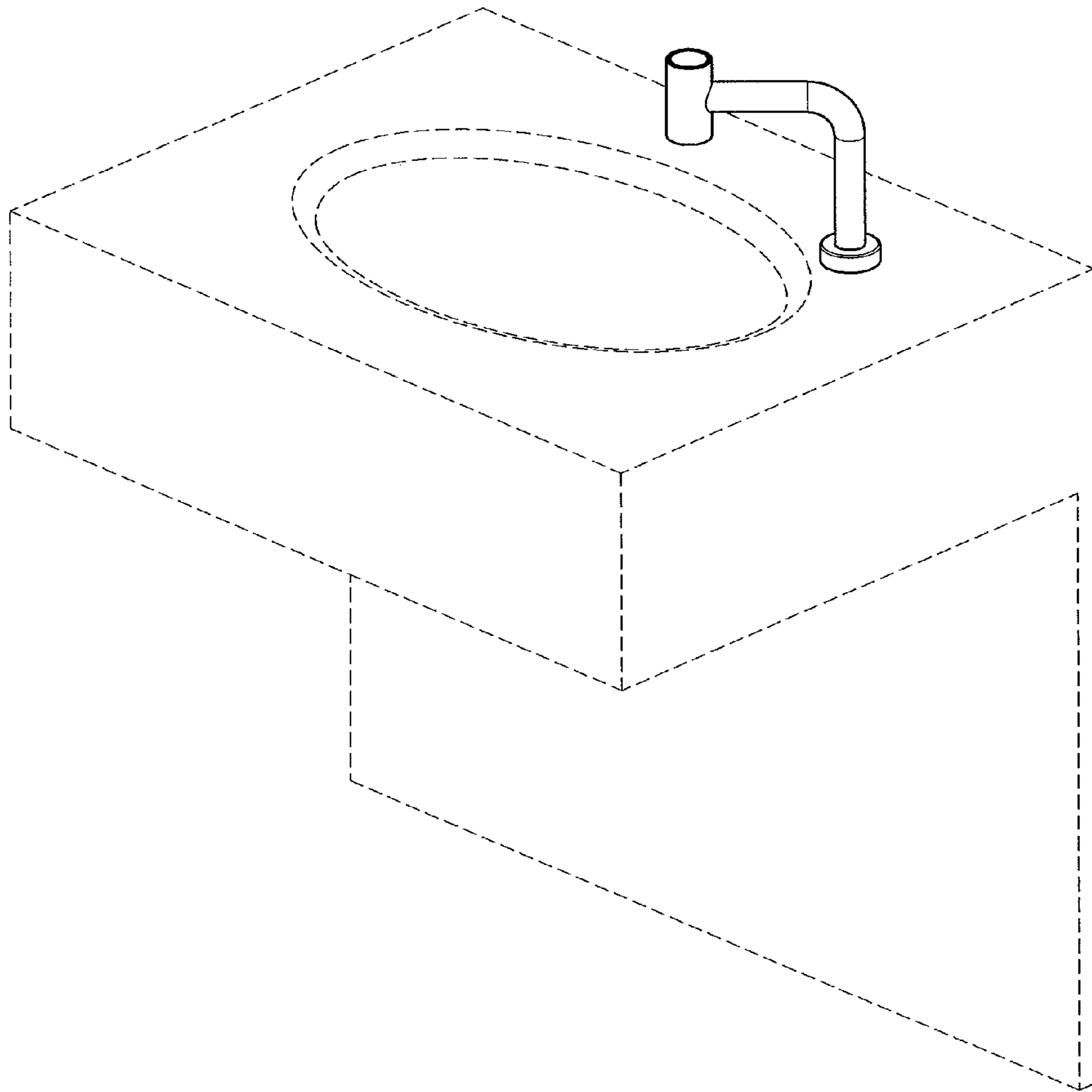


Fig. 8