



US00D714492S

(12) **United States Design Patent**
Cataudella et al.

(10) **Patent No.:** **US D714,492 S**

(45) **Date of Patent:** **** Sep. 30, 2014**

(54) **RAZOR HANDLE**

(71) Applicants: **Matthew Corey Cataudella**, Boston, MA (US); **Alexander Stephen Forti**, Dedham, MA (US)

(72) Inventors: **Matthew Corey Cataudella**, Boston, MA (US); **Alexander Stephen Forti**, Dedham, MA (US)

(73) Assignee: **The Gillette Company**, Boston, MA (US)

(**) Term: **14 Years**

(21) Appl. No.: **29/434,577**

(22) Filed: **Oct. 15, 2012**

(51) **LOC (10) Cl.** **28-03**

(52) **U.S. Cl.**
USPC **D28/48**

(58) **Field of Classification Search**
USPC 30/32, 34.05, 34.1-34.2, 41.9, 40-40.2, 30/41, 42-46, 47-52, 57-84, 526-541, 30/346.5-346.61; D28/44-48
See application file for complete search history.

(56) **References Cited**

U.S. PATENT DOCUMENTS

D403,114 S 12/1998 Shurtleff
D407,851 S 4/1999 Shurtleff

6,418,623 B1 7/2002 Marcarelli
D495,828 S 9/2004 Ham et al.
D558,923 S * 1/2008 Watson et al. D28/48
D563,047 S * 2/2008 Ramm et al. D28/48
D604,012 S * 11/2009 Jung D28/46
D616,147 S * 5/2010 Adams D28/46
D646,436 S * 10/2011 Furuta D28/48
D659,287 S * 5/2012 Psimadas et al. D28/48
2004/0261271 A1 12/2004 Coffin et al.

* cited by examiner

Primary Examiner — Jennifer Rivard

(74) *Attorney, Agent, or Firm* — Ronald T. Sia; Kevin C. Johnson; Steven W. Miller

(57) **CLAIM**

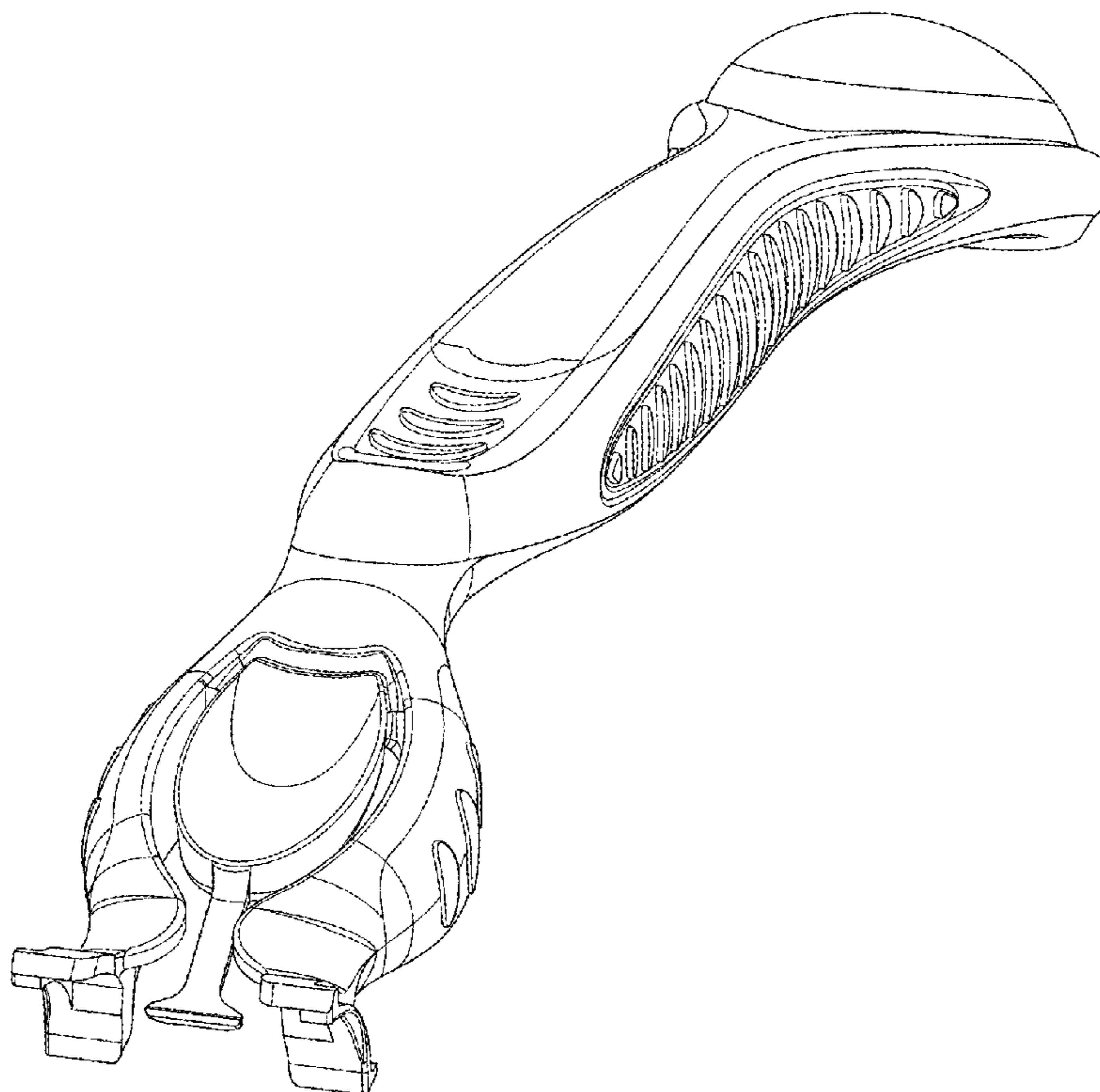
The ornamental design for a razor handle, as shown and described.

DESCRIPTION

FIG. 1 is a perspective view of a razor handle of the present invention;
FIG. 2 is a top view thereof;
FIG. 3 is a bottom view thereof;
FIG. 4 is a right side view thereof;
FIG. 5 is a left side view thereof;
FIG. 6 is a front view thereof; and,
FIG. 7 is a rear view thereof.

The broken lines are shown for the purpose of illustrating a portion of the handle and form no part of the claimed design.

1 Claim, 4 Drawing Sheets



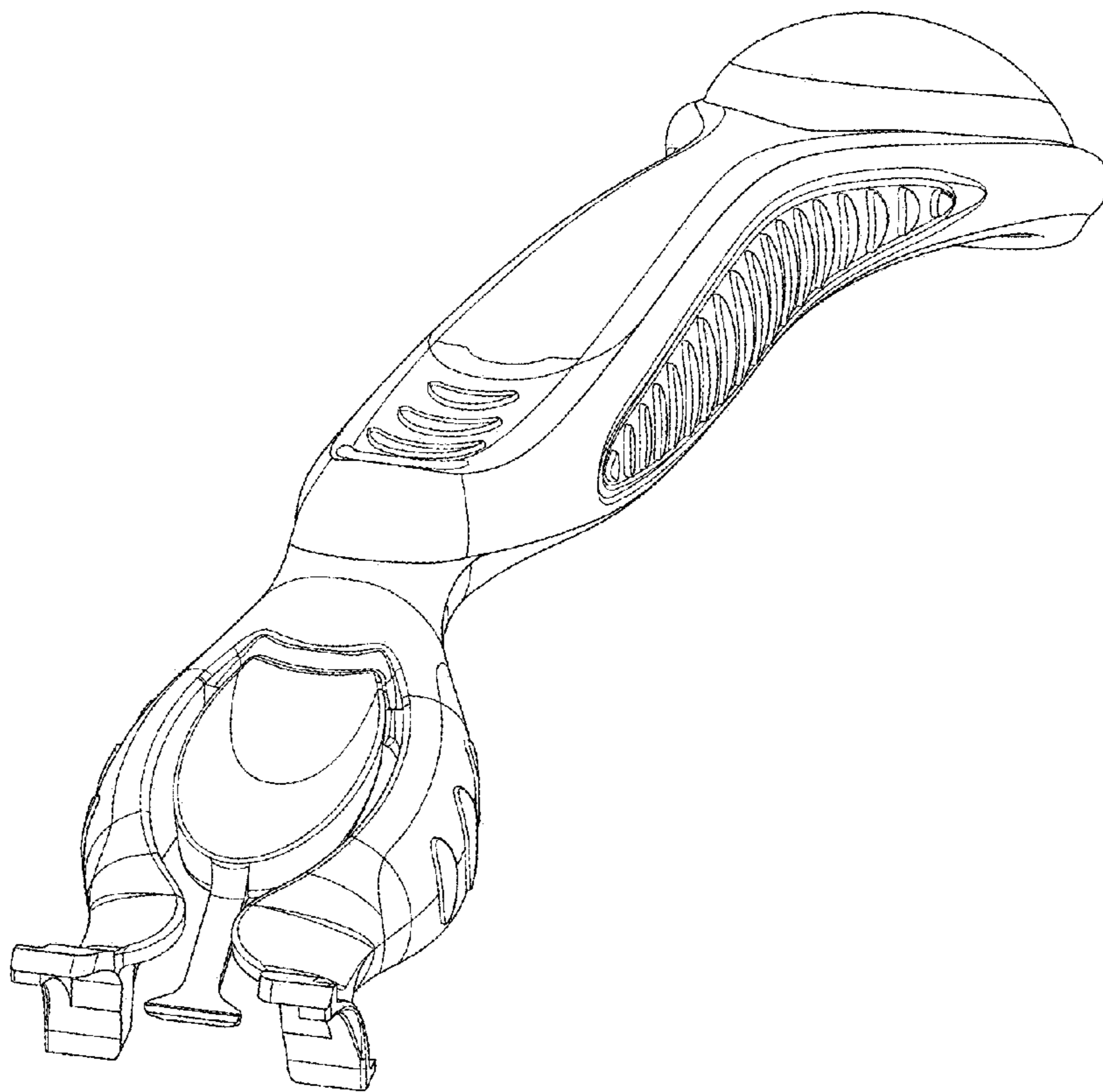


FIG. 1

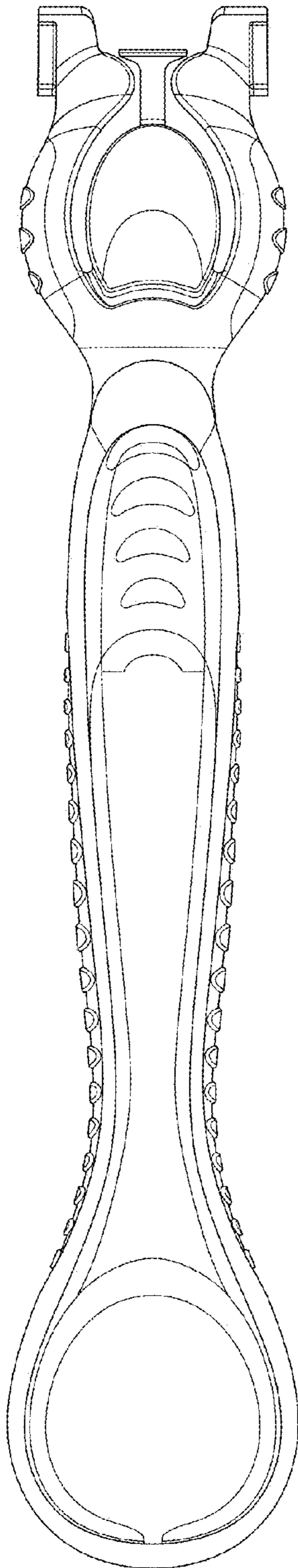


FIG. 2

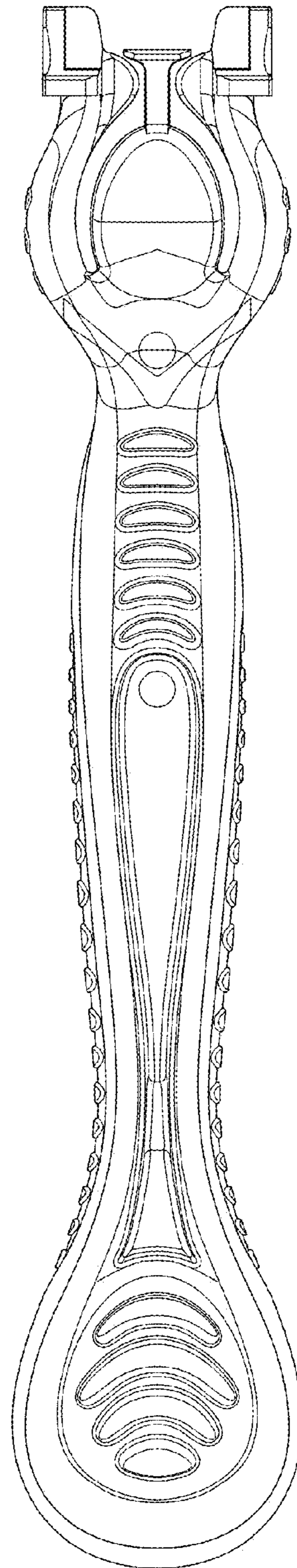


FIG. 3

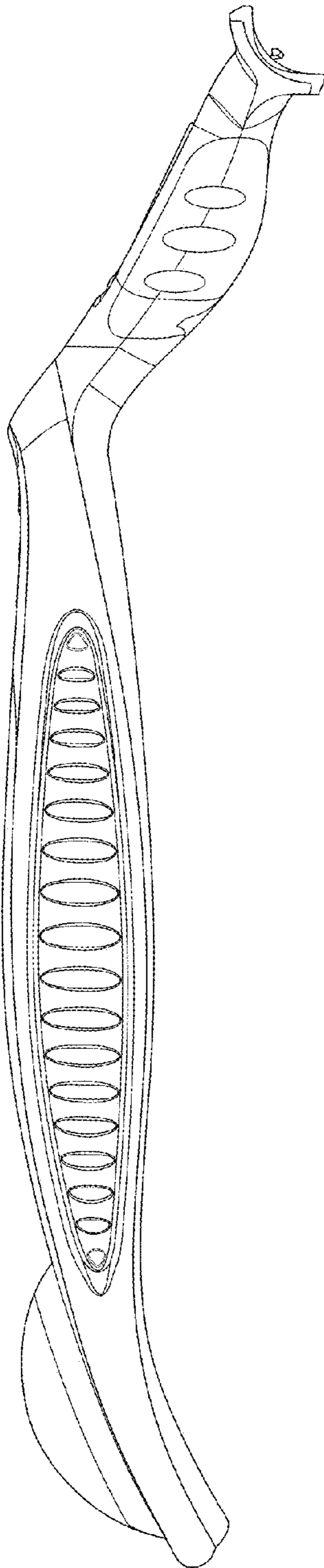


FIG. 4

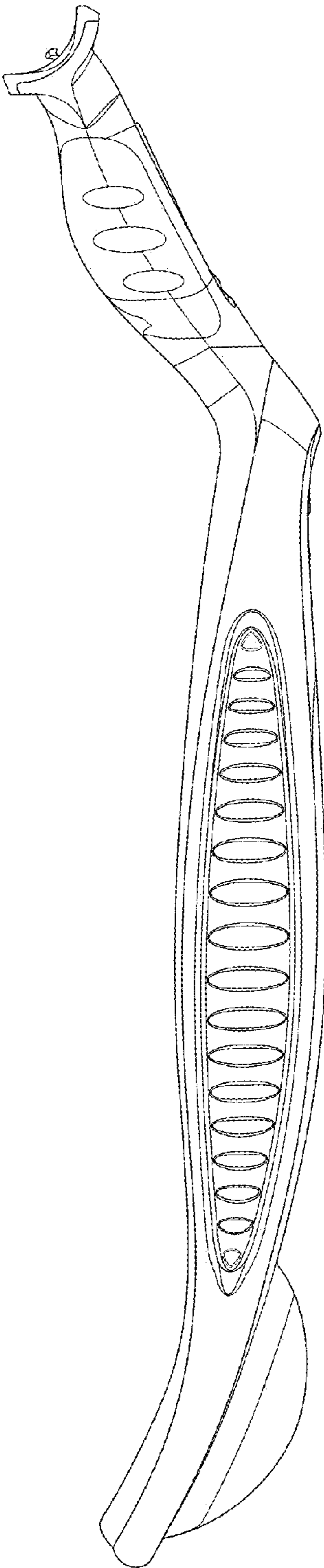


FIG. 5

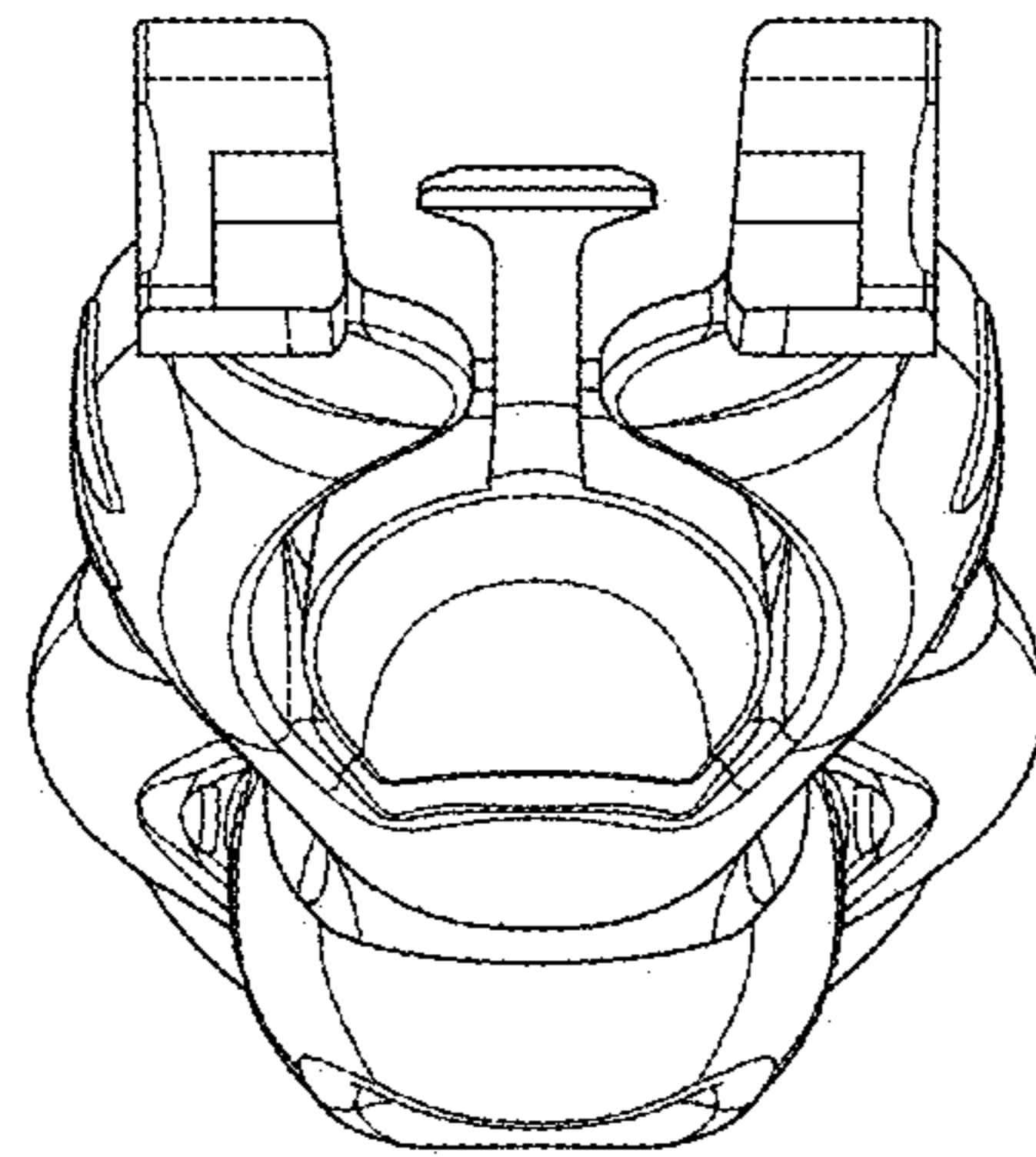


FIG. 6

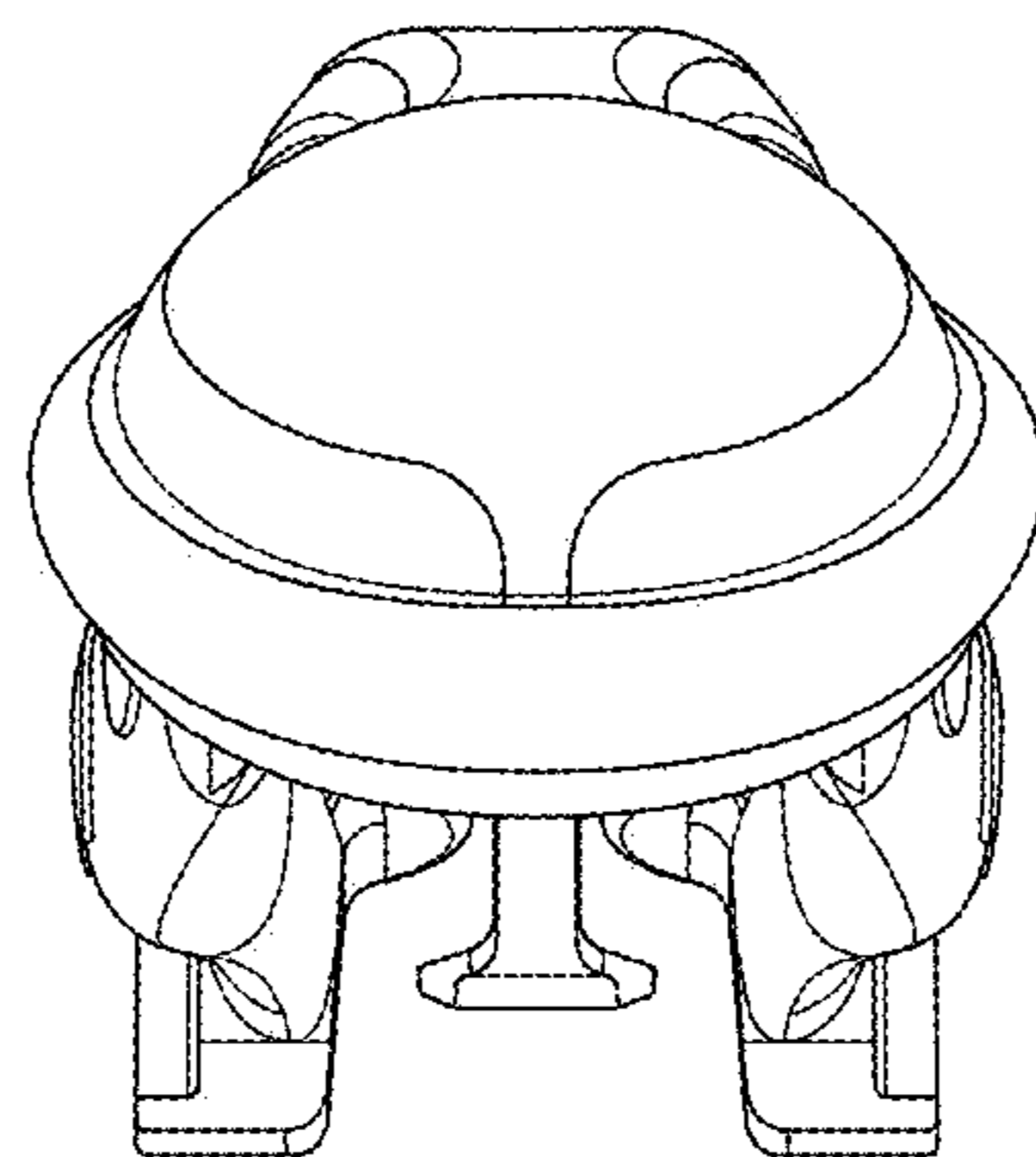


FIG. 7