



US00D714491S

(12) **United States Design Patent**
Du

(10) **Patent No.:** **US D714,491 S**

(45) **Date of Patent:** **** Sep. 30, 2014**

(54) **COMBINATION HAIR PICK AND COMB**

(71) Applicant: **Tiffany Du**, Garden Grove, CA (US)

(72) Inventor: **Tiffany Du**, Garden Grove, CA (US)

(**) Term: **14 Years**

(21) Appl. No.: **29/452,433**

(22) Filed: **Apr. 16, 2013**

(51) **LOC (10) Cl.** **28-03**

(52) **U.S. Cl.**

CPC **A45D 24/00** (2013.01)

USPC **D28/25**; D28/30

(58) **Field of Classification Search**

CPC **A45D 24/00**

USPC **D28/7, 20-34; 132/53, 112, 126, 150,**

132/208, 219.216; D32/49; 15/142, 143.1;

D30/158, 159

See application file for complete search history.

(56) **References Cited**

U.S. PATENT DOCUMENTS

2,166,203 A * 7/1939 Williams 132/122

2,242,349 A * 5/1941 Dailey 132/122

2,288,156 A * 6/1942 Dove 132/124

3,368,569 A * 2/1968 Lawrence 132/116

5,240,017 A * 8/1993 Terwilliger 132/145

5,289,833 A * 3/1994 McDonald 132/112

5,626,153 A * 5/1997 Petrarca 132/126

5,848,598 A * 12/1998 Walz et al. 132/112

8,146,604 B2 * 4/2012 Wright et al. 132/112

* cited by examiner

Primary Examiner — Zenia Bennett

(74) *Attorney, Agent, or Firm* — Richard D. Clarke

(57) **CLAIM**

I claim the ornamental design for a combination hair pick and comb, as shown and described.

DESCRIPTION

FIG. 1 is a top, front and side elevation perspective view of the combination hair pick and comb;

FIG. 2 is a left side elevation view of the combination hair pick and comb;

FIG. 3 is a rear view of the combination hair pick and comb;

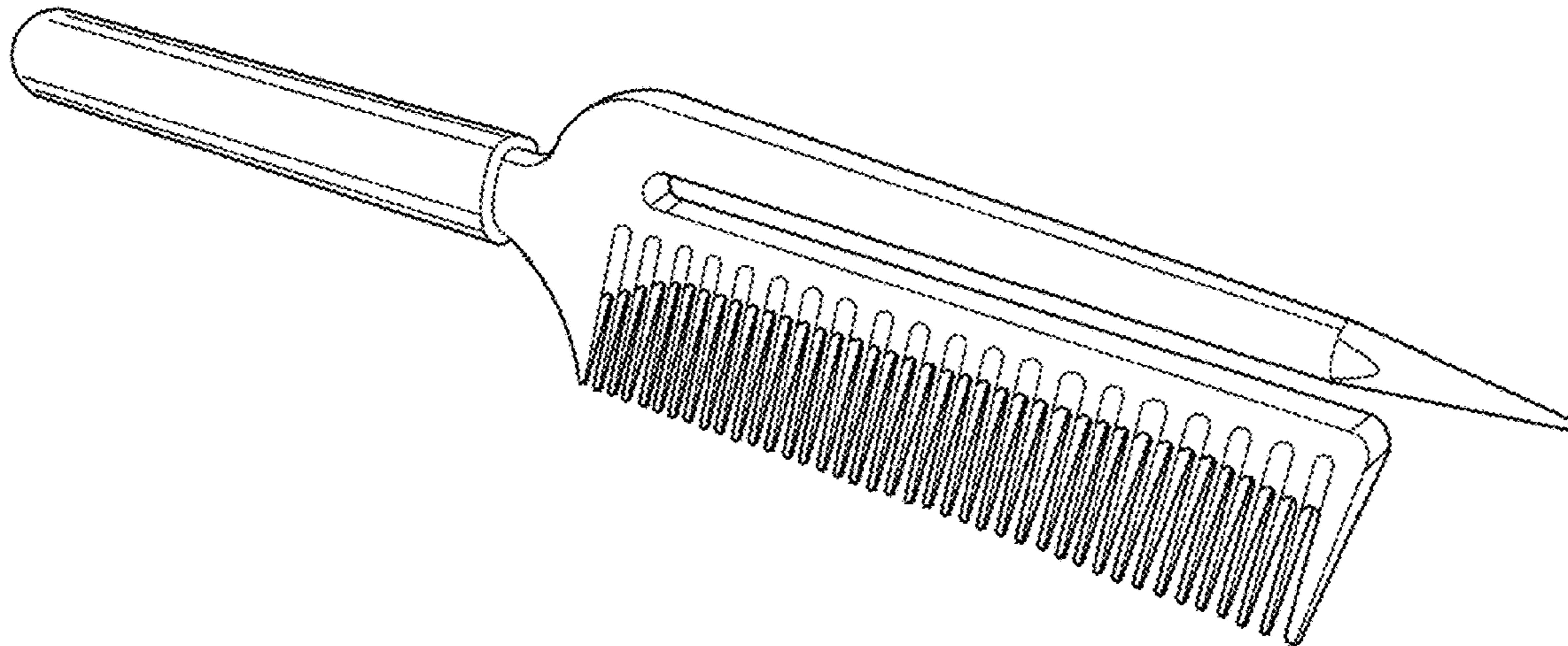
FIG. 4 is a top plan view of the combination hair pick and comb;

FIG. 5 is a front view of the combination hair pick and comb;

FIG. 6 is a right side elevation view of the combination hair pick and comb; and,

FIG. 7 is a bottom view of the combination hair pick and comb.

1 Claim, 2 Drawing Sheets



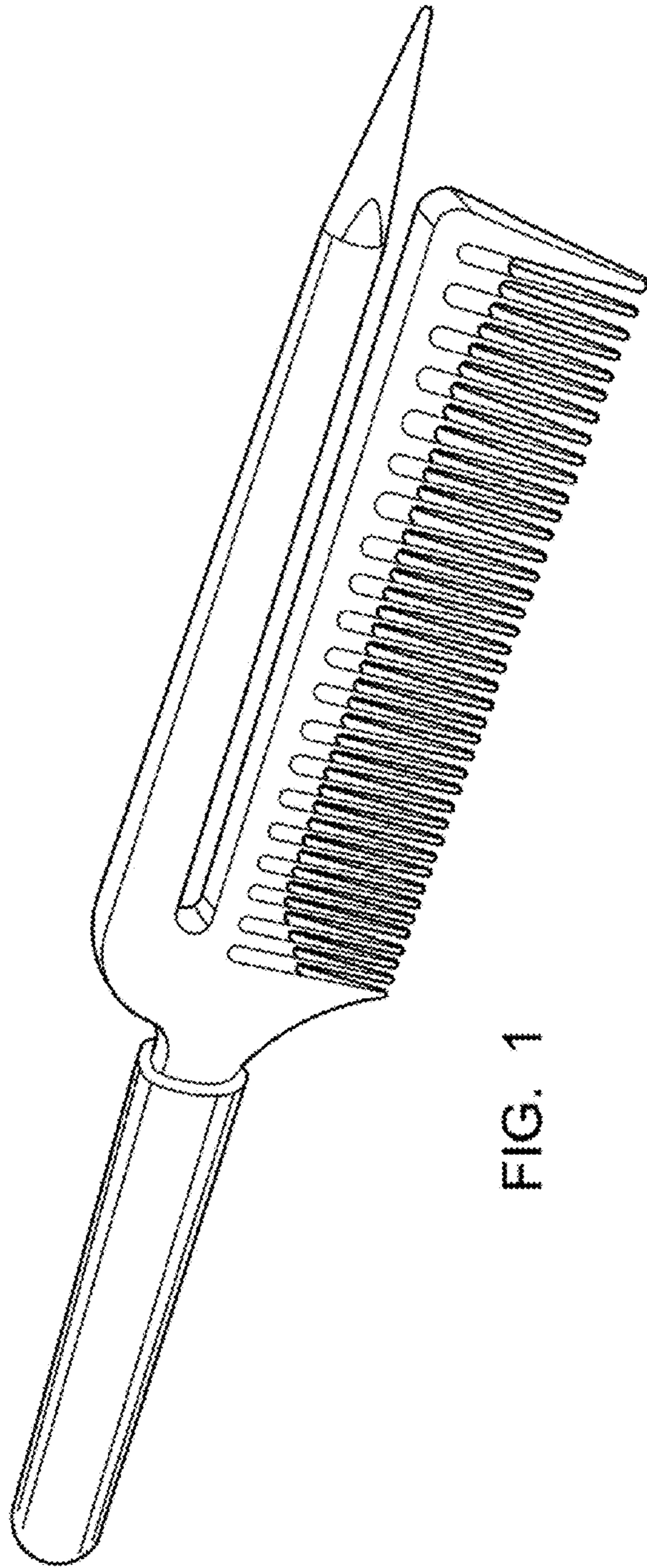


FIG. 1

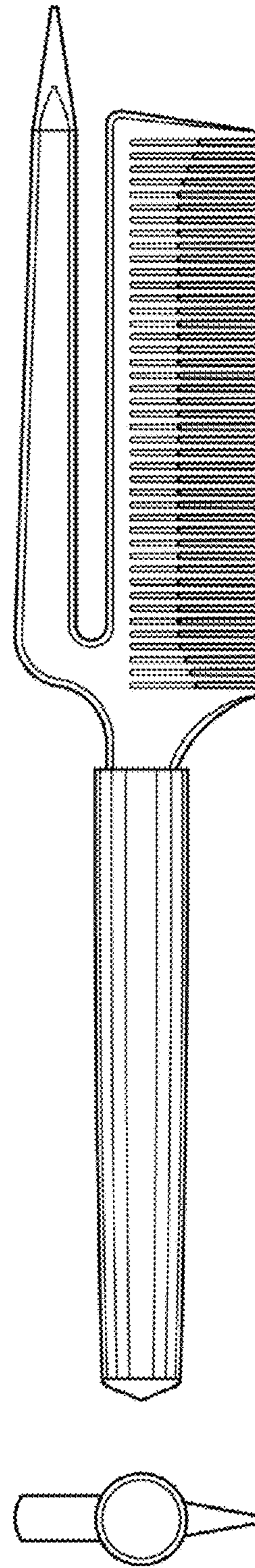


FIG. 2

FIG. 3

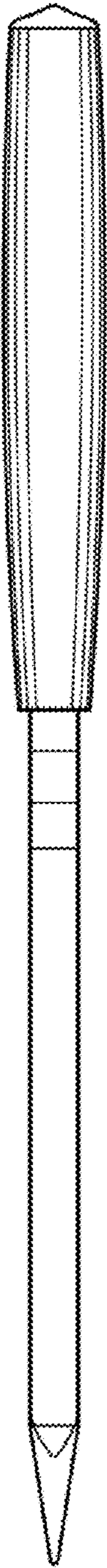


FIG. 4

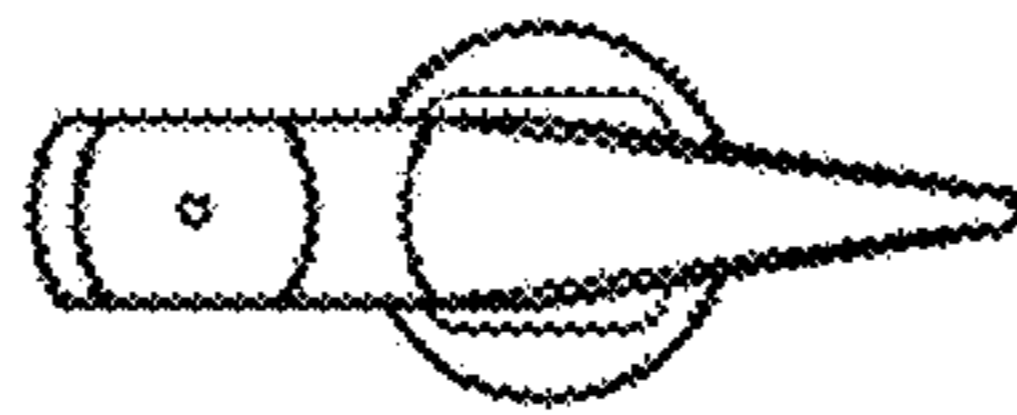


FIG. 5

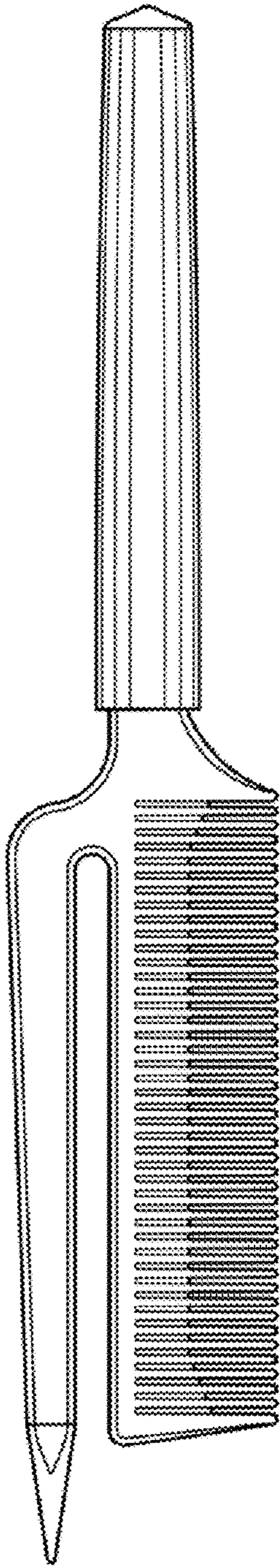


FIG. 6



FIG. 7