



US00D714487S

(12) **United States Design Patent**
Hartman

(10) **Patent No.:** **US D714,487 S**

(45) **Date of Patent:** **** Sep. 30, 2014**

(54) **LIGHT FIXTURE**

(75) Inventor: **Michael S. Hartman**, Sinking Spring,
PA (US)

(73) Assignee: **Michael S. Hartman**, Sinking Spring,
PA (US)

(**) Term: **14 Years**

(21) Appl. No.: **29/406,698**

(22) Filed: **Nov. 17, 2011**

(51) **LOC (10) Cl.** **26-99**

(52) **U.S. Cl.**
USPC **D26/120**

(58) **Field of Classification Search**
USPC D26/118, 119, 120, 64, 65, 72, 124,
D26/125, 138, 128, 132, 84, 85, 86, 87, 69,
D26/1, 2, 113, 123, 134, 135, 89, 90, 24,
D26/145, 142, 74, 63, 88; 362/147, 364,
362/362, 365, 294, 249.03, 249.02, 282,
362/275, 190, 341, 249.01, 241; D13/179,
D13/180, 182

See application file for complete search history.

(56) **References Cited**

U.S. PATENT DOCUMENTS

D246,572 S *	12/1977	Walter	D8/354
D251,426 S *	3/1979	Molyneux	D14/229
D283,032 S *	3/1986	Quesnel	D17/20
4,980,808 A *	12/1990	Lilos	362/219
5,249,108 A *	9/1993	Gary	362/388
D369,957 S *	5/1996	Blanton	D8/373
D444,706 S *	7/2001	Giancaspro	D9/455

6,283,771 B1 *	9/2001	Mitchell et al.	439/95
D473,670 S *	4/2003	Kelmelis et al.	D26/74
D564,127 S *	3/2008	Pandorf et al.	D26/118
7,524,077 B2 *	4/2009	Hartman	362/145
D603,078 S *	10/2009	Noh	D26/76
D608,046 S *	1/2010	Chien	D26/107
D626,404 S *	11/2010	Koehn	D8/373
D636,927 S *	4/2011	Lin	D26/138
D643,703 S *	8/2011	Koehn	D8/367
8,002,447 B2 *	8/2011	Patti	362/382
D646,840 S *	10/2011	Polka et al.	D26/138
D648,031 S *	11/2011	Roggenkamp	D24/184
D668,379 S *	10/2012	Storey	D26/138
D672,287 S *	12/2012	Noble et al.	D12/159
2008/0283702 A1 *	11/2008	Ikerd	248/228.1

* cited by examiner

Primary Examiner — Kevin Rudzinski

(74) *Attorney, Agent, or Firm* — Fox Rothschild LLP

(57) **CLAIM**

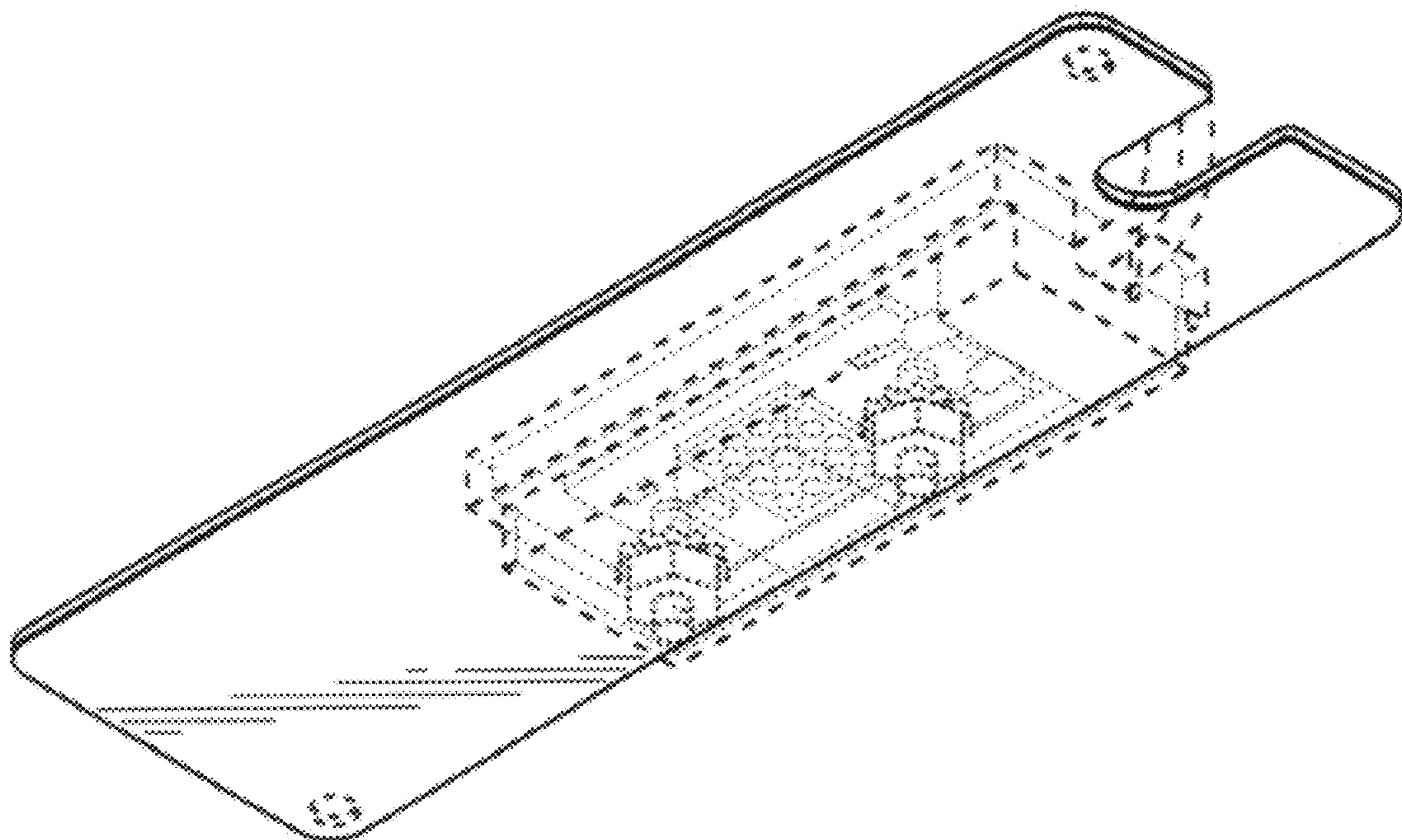
The ornamental design for a light fixture, as shown and described.

DESCRIPTION

FIG. 1 is a perspective view of a light fixture;
FIG. 2 is a top plan view thereof;
FIG. 3 is a front view thereof;
FIG. 4 is a left side view thereof;
FIG. 5 is a right side view thereof; and,
FIG. 6 is a bottom view thereof.

The features shown in dotted lines in the drawings depict environmental subject matter only and form no part of the claimed design.

1 Claim, 1 Drawing Sheet



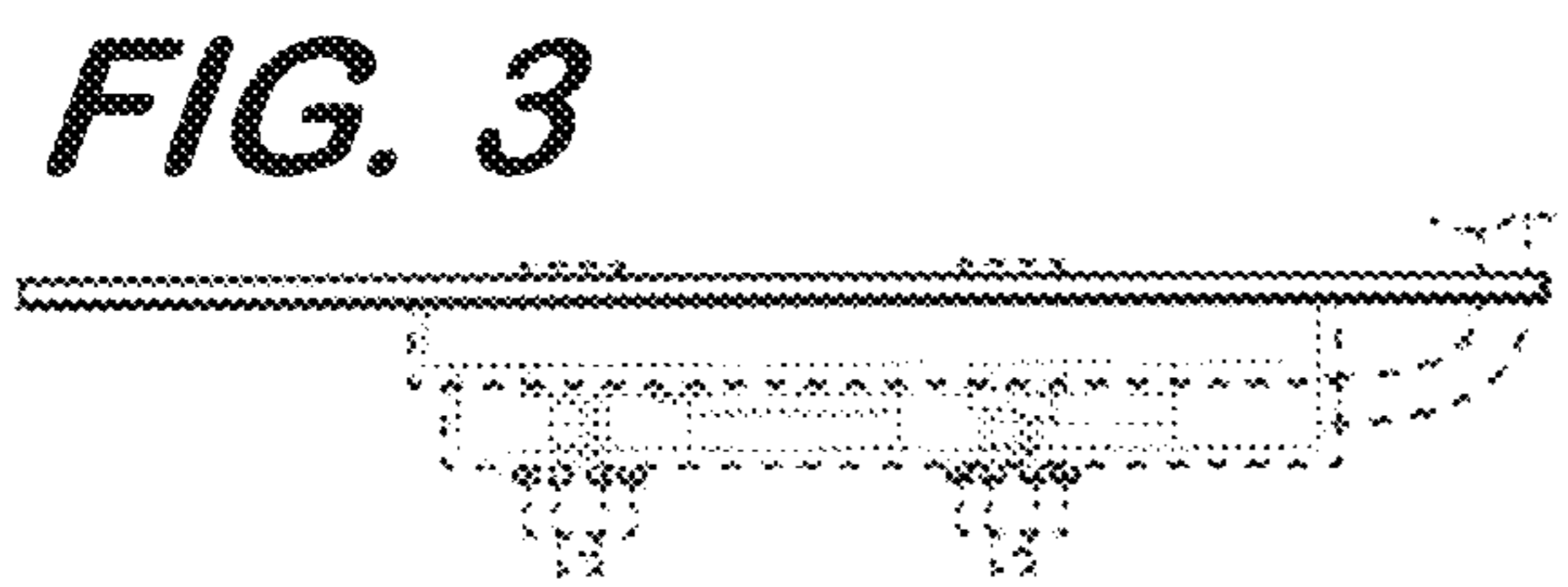
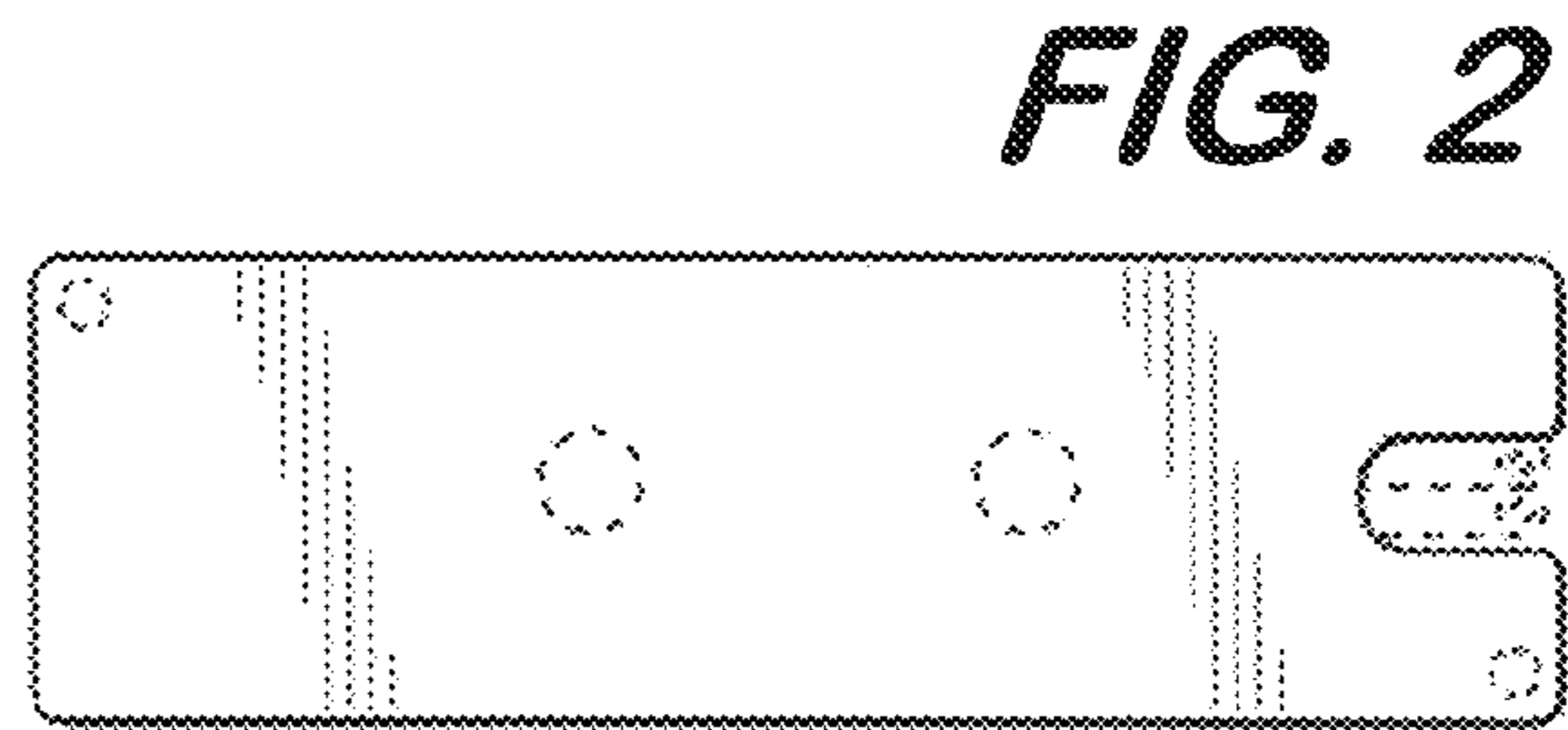
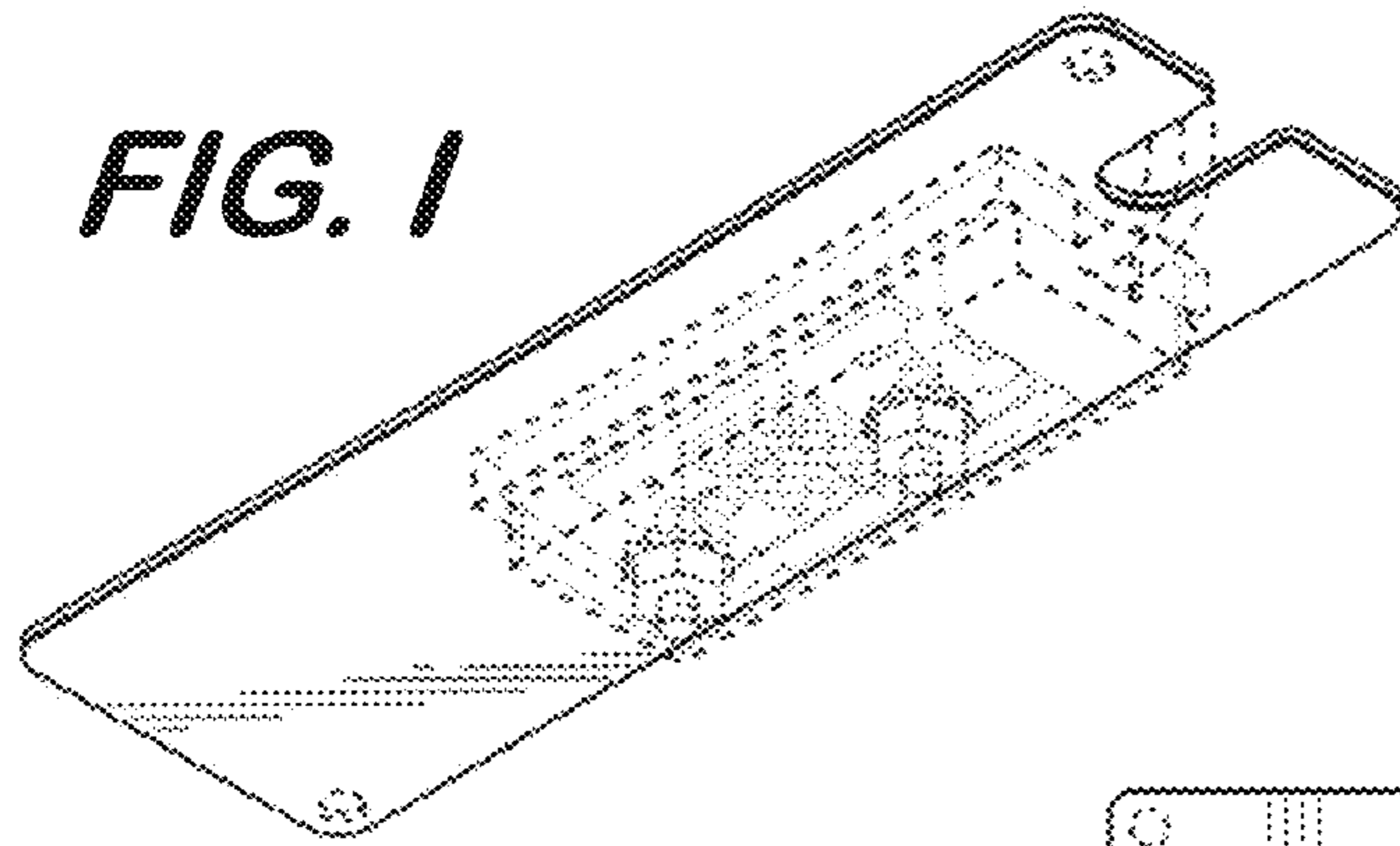


FIG. 4



FIG. 5

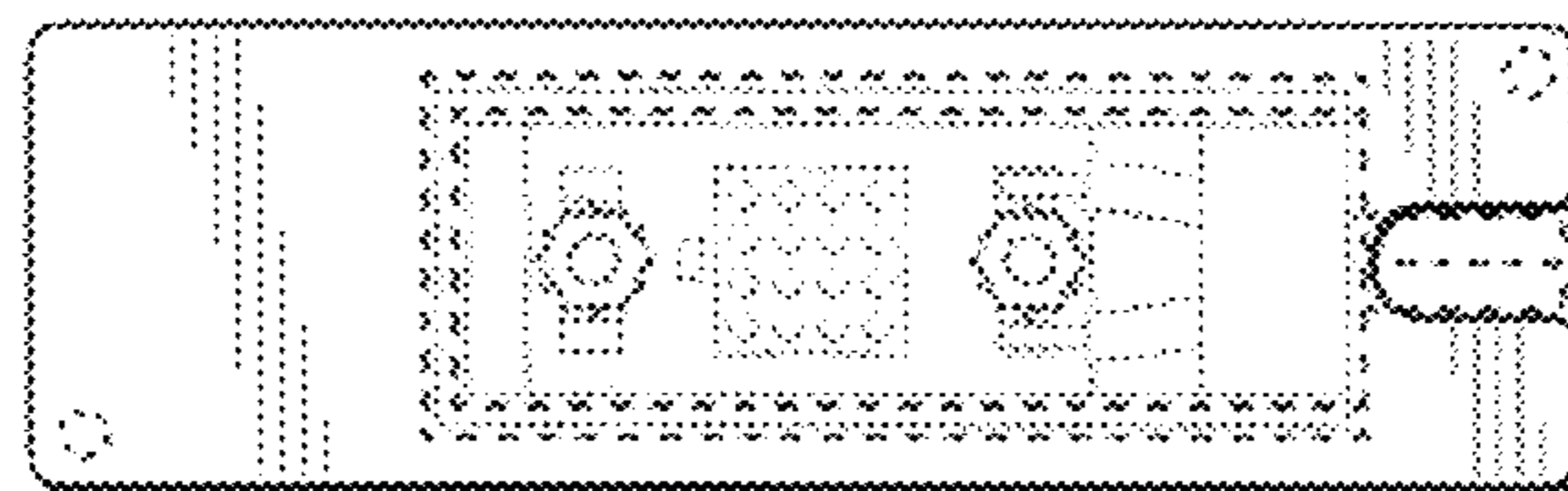


FIG. 6