



US00D714486S

(12) **United States Design Patent**  
**Wilke et al.**

(10) **Patent No.:** **US D714,486 S**  
(45) **Date of Patent:** **\*\* Sep. 30, 2014**

(54) **LED LIGHT FIXTURE**

(56) **References Cited**

- (71) Applicant: **Albeo Technologies, Inc.**, Boulder, CO (US)
- (72) Inventors: **Christopher Wilke**, Boulder, CO (US); **Jeffrey Bisberg**, Boulder, CO (US); **Neil Cannon**, Eldorado Springs, CO (US); **Peter Van Laanen**, Boulder, CO (US)
- (73) Assignee: **Albeo Technologies, Inc.**, Boulder, CO (US)
- (\*\*) Term: **14 Years**
- (21) Appl. No.: **29/482,308**
- (22) Filed: **Feb. 17, 2014**

U.S. PATENT DOCUMENTS

D117,643 S	11/1939	Steward	
D149,655 S	5/1948	Lindahl	
D158,687 S	5/1950	Raben	
2,946,880 A	7/1960	Picha et al.	
D190,922 S	7/1961	Anthony	
D245,536 S	8/1977	Segil	
D315,832 S	4/1991	Rocheleau et al.	
5,117,342 A	5/1992	Vlah	
D328,057 S	7/1992	Prager et al.	
D338,449 S *	8/1993	Sahyoun .....	D13/179
D378,915 S	4/1997	Widmayer et al.	
D381,011 S	7/1997	Widmayer et al.	
D387,333 S *	12/1997	Pellow et al. ....	D13/179
6,046,908 A	4/2000	Feng	
D426,195 S *	6/2000	Kuo .....	D13/179
D480,172 S	9/2003	Herst et al.	
D533,958 S	12/2006	Herst et al.	
D561,931 S	2/2008	Hukle et al.	
D578,696 S *	10/2008	Wang et al. ....	D26/70

(Continued)

*Primary Examiner* — Kevin Rudzinski  
(74) *Attorney, Agent, or Firm* — Lathrop & Gage LLP

**Related U.S. Application Data**

- (62) Division of application No. 29/391,284, filed on May 5, 2011, now Pat. No. Des. 699,886.
- (51) **LOC (10) Cl.** ..... **26-99**
- (52) **U.S. Cl.**  
USPC ..... **D26/113**
- (58) **Field of Classification Search**  
USPC ..... D26/118, 119, 120, 64, 65, 72, 124, D26/125, 138, 128, 132, 84, 85, 86, 87, 69, D26/62, 1, 2, 113, 134, 135, 89, 90, 24, 145, D26/142, 74, 63, 88; 362/147, 364, 362, 362/365, 294, 249.03, 282, 275, 190, 341, 362/249.01; D13/179, 180

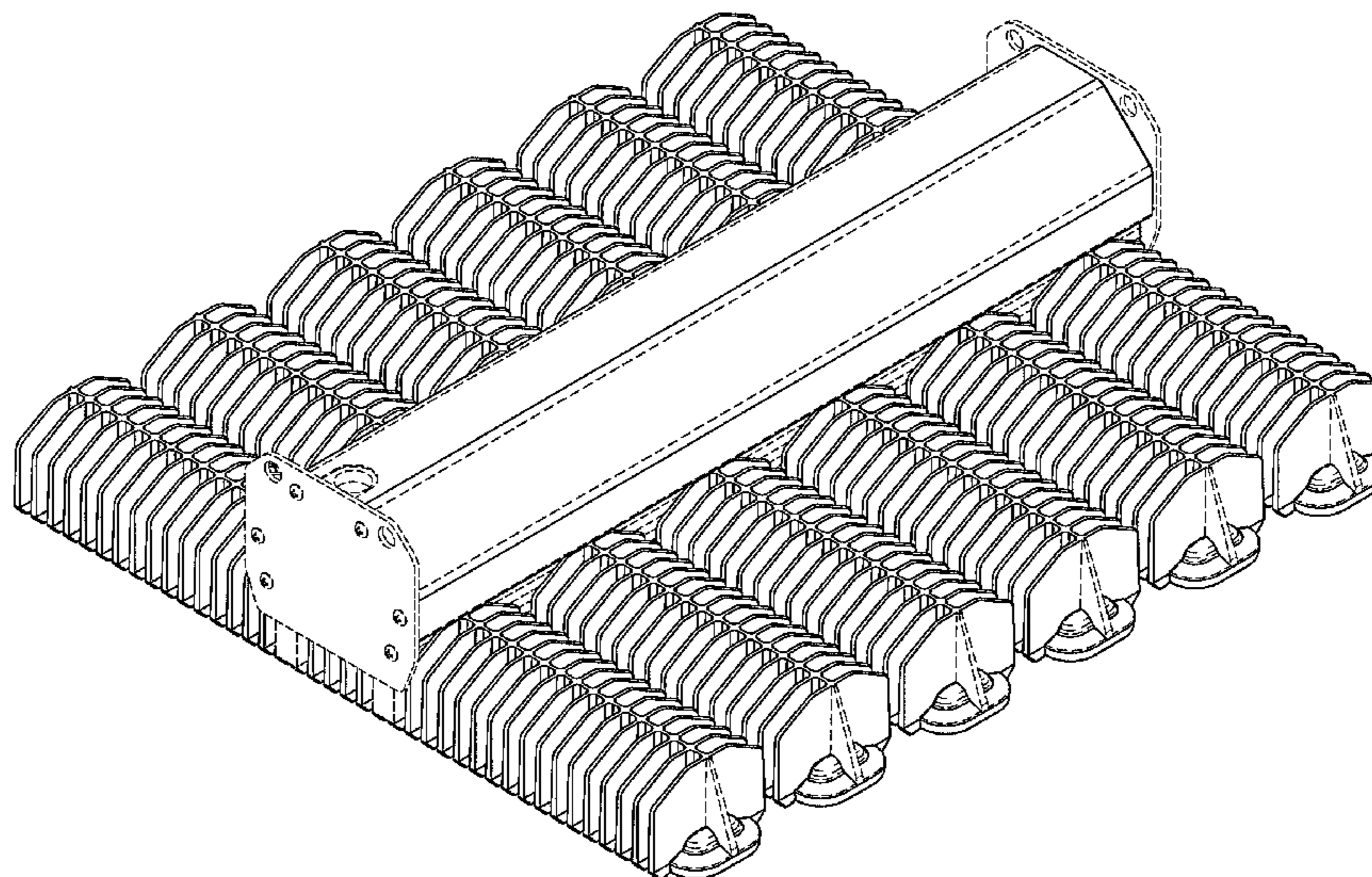
See application file for complete search history.

(57) **CLAIM**  
The ornamental design for an LED light fixture, as shown and described.

**DESCRIPTION**

FIG. 1 is a perspective view of a LED light fixture, showing the new design;  
FIG. 2 is a top plan view of the LED light fixture;  
FIG. 3 is a bottom plan view of the LED light fixture;  
FIG. 4 is a side elevation of the LED light fixture, an opposing side elevation of the LED light fixture being identical; and,  
FIG. 5 is an end elevation of the LED light fixture, an opposing end elevation of the LED light fixture being identical.  
In all of FIGS. 1 through 5, dashed lines indicate environmental structure that forms no part of the claimed design.

**1 Claim, 5 Drawing Sheets**



(56)

**References Cited**

U.S. PATENT DOCUMENTS

7,665,866 B2 2/2010 Mayer et al.  
 D613,443 S \* 4/2010 Chen ..... D26/70  
 D619,749 S \* 7/2010 Jong ..... D26/71  
 D620,459 S 7/2010 Huang et al.  
 D621,968 S \* 8/2010 Schultz ..... D26/1  
 D625,463 S \* 10/2010 Klus ..... D26/138  
 7,813,131 B2 10/2010 Liang  
 D629,958 S 12/2010 Kong et al.  
 D633,230 S \* 2/2011 Chen ..... D26/24  
 D633,632 S \* 3/2011 Culbert et al. .... D26/24  
 D641,908 S 7/2011 McKee  
 7,972,035 B2 7/2011 Boyer  
 D643,960 S 8/2011 Waldmann

D644,776 S \* 9/2011 Rea et al. .... D26/63  
 D661,008 S \* 5/2012 Yuan ..... D26/74  
 D663,885 S \* 7/2012 Maxik et al. .... D26/118  
 D676,185 S \* 2/2013 Piepgras et al. .... D26/113  
 D688,403 S \* 8/2013 Landefeld ..... D26/69  
 D695,950 S \* 12/2013 Gordin et al. .... D26/118  
 2007/0227699 A1 \* 10/2007 Nishi ..... 165/96  
 2009/0052177 A1 \* 2/2009 Lin et al. .... 362/249  
 2009/0196037 A1 \* 8/2009 Xiao et al. .... 362/249.03  
 2009/0213588 A1 \* 8/2009 Manes ..... 362/235  
 2009/0262533 A1 \* 10/2009 Liu et al. .... 362/249.02  
 2010/0002438 A1 \* 1/2010 Zhang et al. .... 362/249.02  
 2010/0053966 A1 \* 3/2010 Tu et al. .... 362/249.02  
 2010/0110679 A1 \* 5/2010 Teng et al. .... 362/235  
 2010/0296287 A1 11/2010 Huang

\* cited by examiner



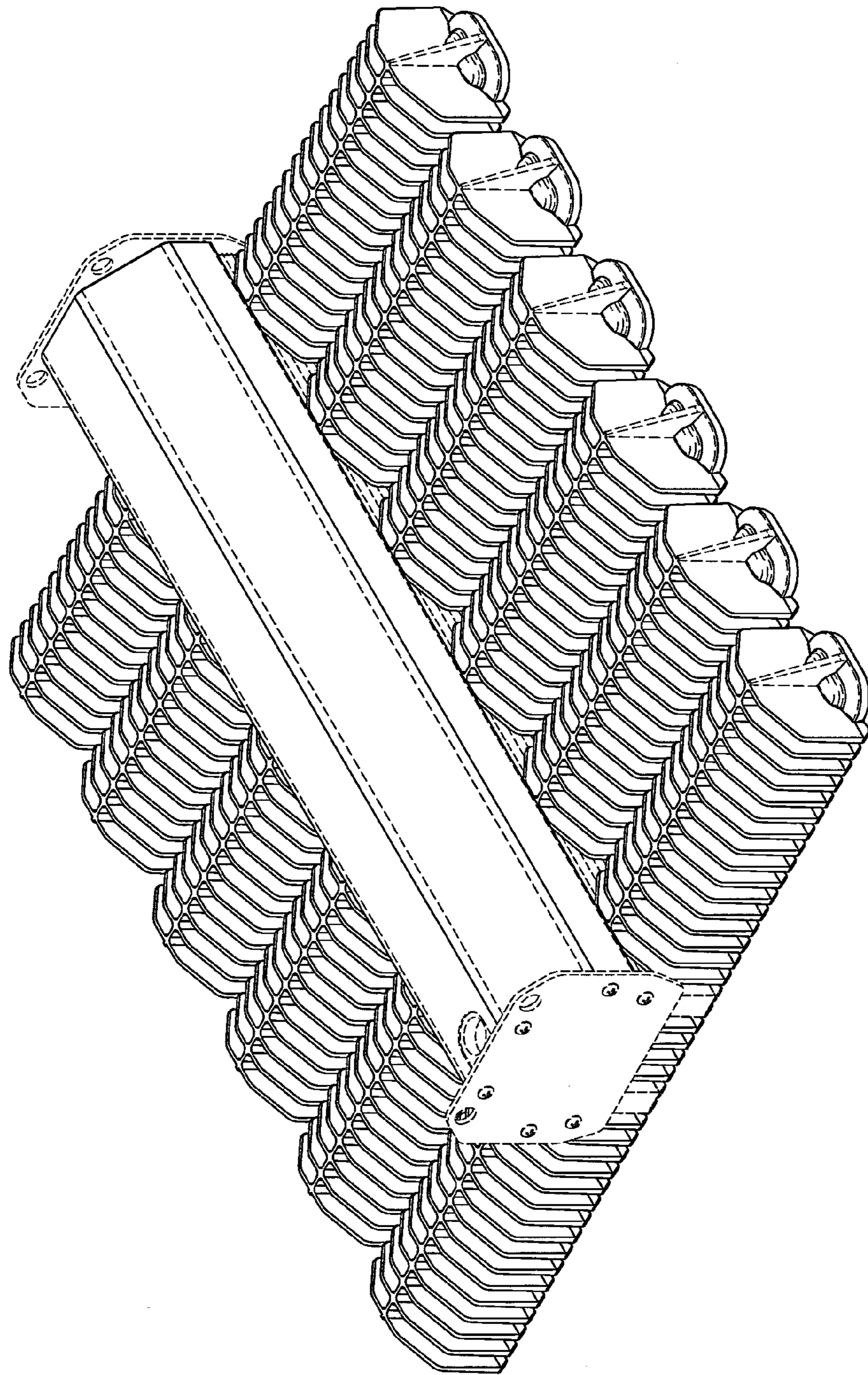


FIG. 1

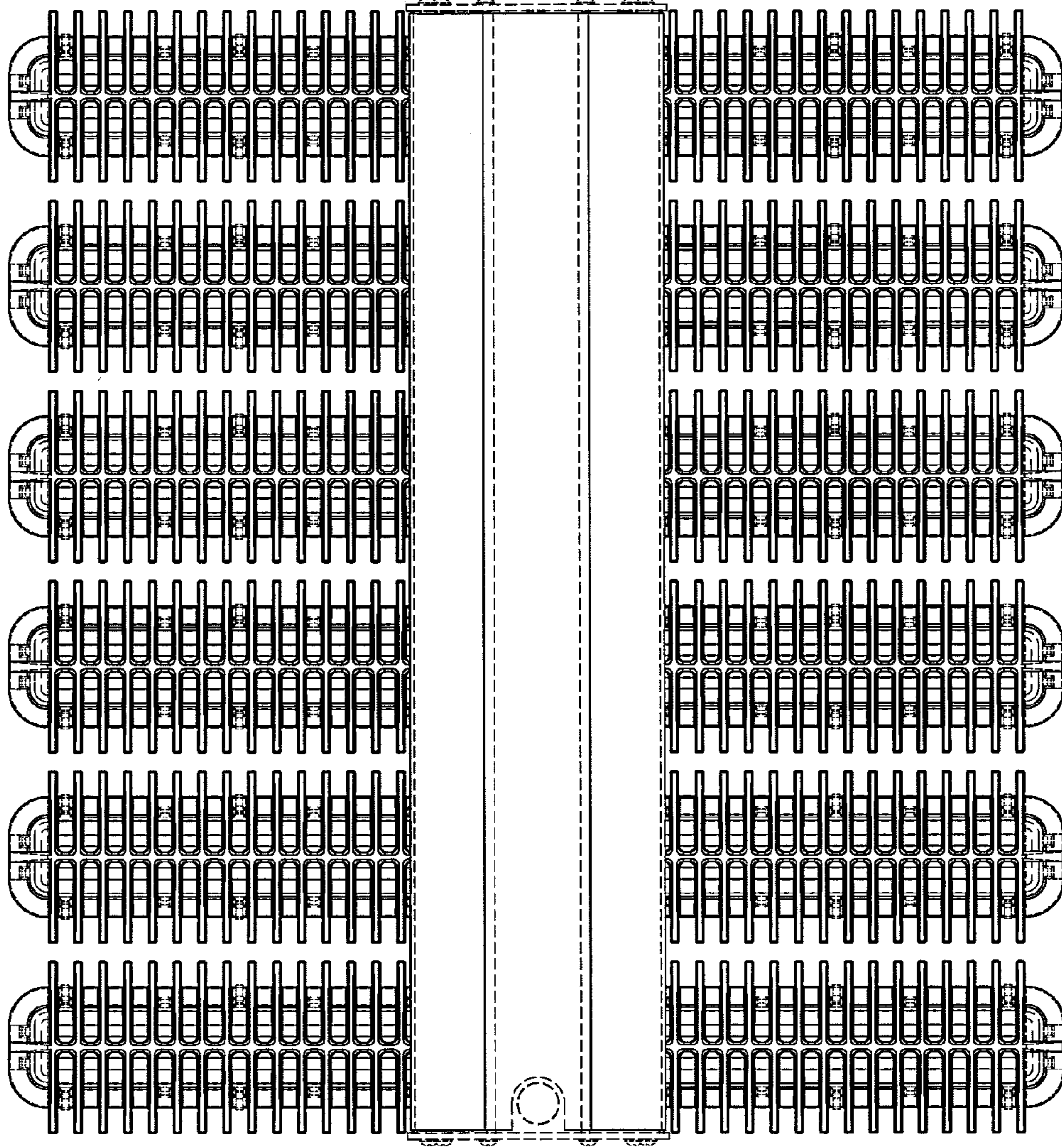


FIG. 2



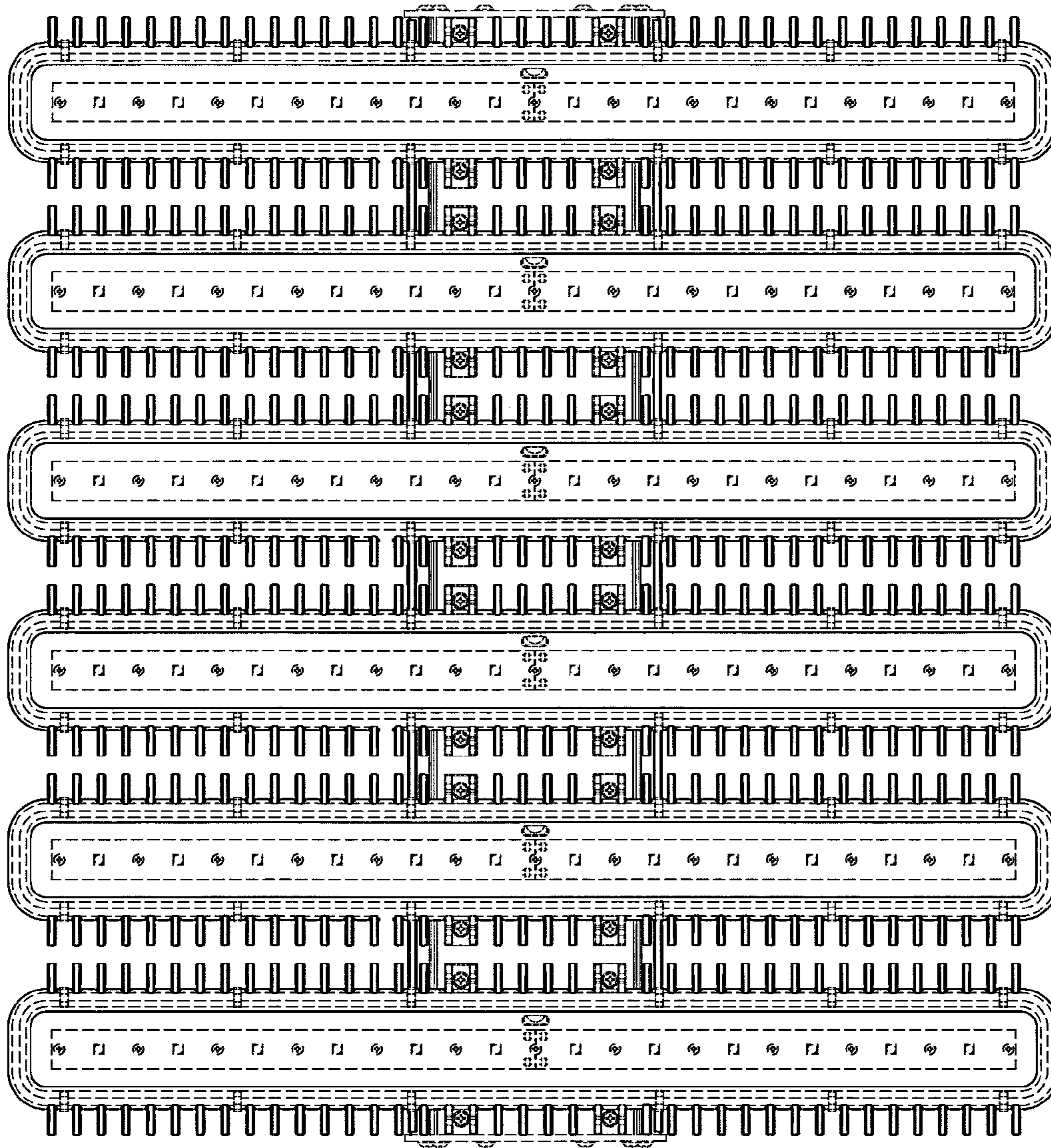


FIG. 3

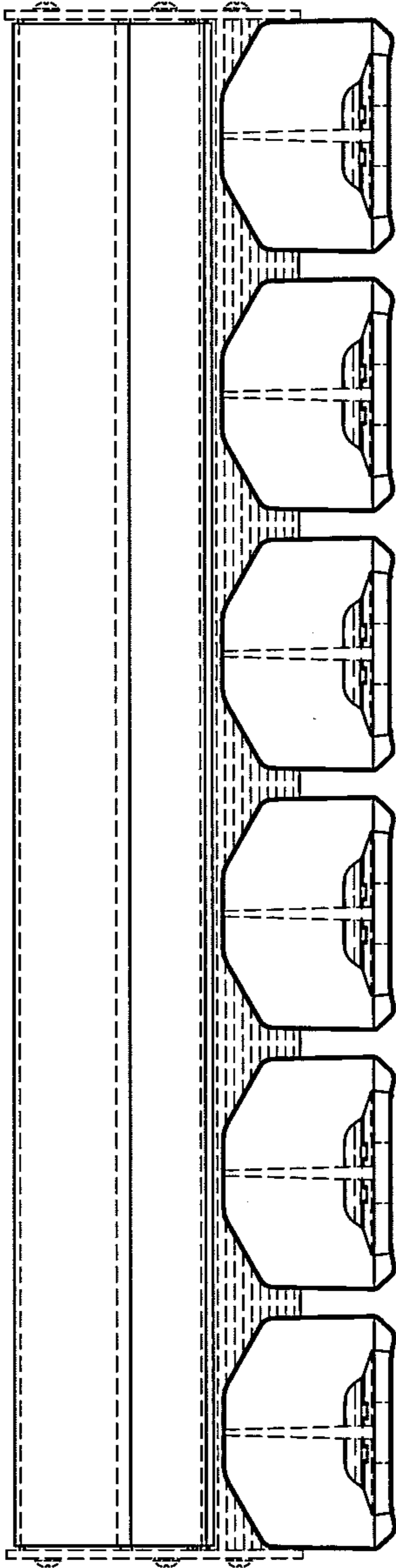


FIG. 4

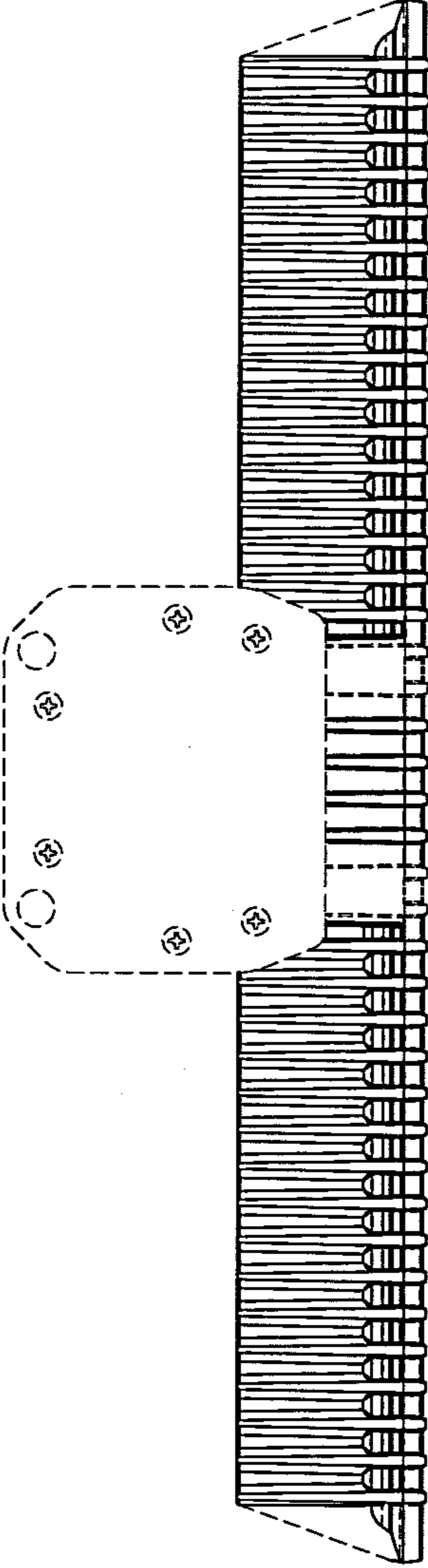


FIG. 5