



US00D714485S

(12) **United States Design Patent**  
**Johnson**

(10) **Patent No.:** **US D714,485 S**

(45) **Date of Patent:** **\*\* Sep. 30, 2014**

(54) **UFO NIGHTLIGHT**

(71) Applicant: **Cloud B, Inc.**, Gardena, CA (US)

(72) Inventor: **Jeffery Wayne Johnson**, Lawndale, CA (US)

(73) Assignee: **Cloud B, Inc.**, Gardena, CA (US)

(\*\*) Term: **14 Years**

(21) Appl. No.: **29/446,415**

(22) Filed: **Feb. 22, 2013**

(51) **LOC (10) Cl.** ..... **26-03**

(52) **U.S. Cl.**

USPC ..... **D26/94**

(58) **Field of Classification Search**

CPC ..... F21L 4/00; F21S 9/02; F21S 48/145;  
F21S 6/00; F21S 8/08; F21S 4/005; F21V  
21/30

USPC ..... D26/24, 93, 94; D11/131, 157, 163;  
D21/398, 483, 533; 362/186, 257,  
362/311.01, 311.06, 362, 806

See application file for complete search history.

(56) **References Cited**

U.S. PATENT DOCUMENTS

D276,750 S \* 12/1984 Beaver ..... D26/73  
D397,488 S \* 8/1998 Ball et al. .... D26/97  
D433,769 S \* 11/2000 Liu ..... D26/104  
D614,800 S \* 4/2010 Barbeau et al. .... D26/97

\* cited by examiner

*Primary Examiner* — Brian N Vinson

(74) *Attorney, Agent, or Firm* — Brooks Acordia IP Law, P.C.

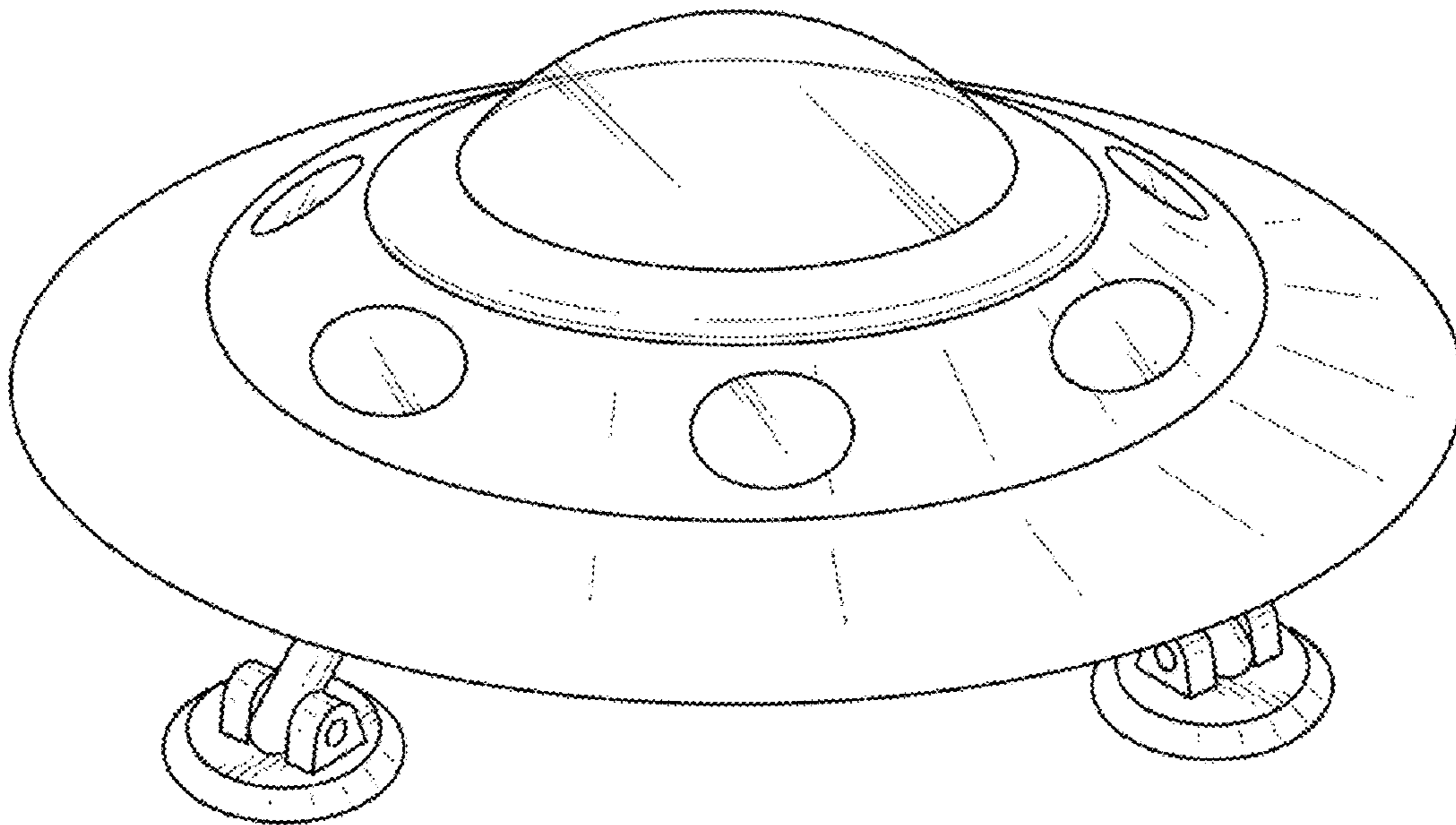
(57) **CLAIM**

The ornamental design for a UFO nightlight, as shown and described.

**DESCRIPTION**

FIG. 1 is a perspective elevation view of a UFO nightlight showing our new design;  
FIG. 2 is a top plan view of the embodiment of FIG. 1;  
FIG. 3 is a front plan view of the embodiment of FIG. 1;  
FIG. 4 is a right plan view of the embodiment of FIG. 1;  
FIG. 5 is a left plan view of the embodiment of FIG. 1;  
FIG. 6 is a back plan view of the embodiment of FIG. 1; and,  
FIG. 7 is a bottom plan view of the embodiment of FIG. 1.  
Surface shading is used to shade FIGS. 1-7 to show clearly the character and contour of all surfaces of the 3-dimensional aspects of the design and form a part of the design sought to be protected.

**1 Claim, 3 Drawing Sheets**



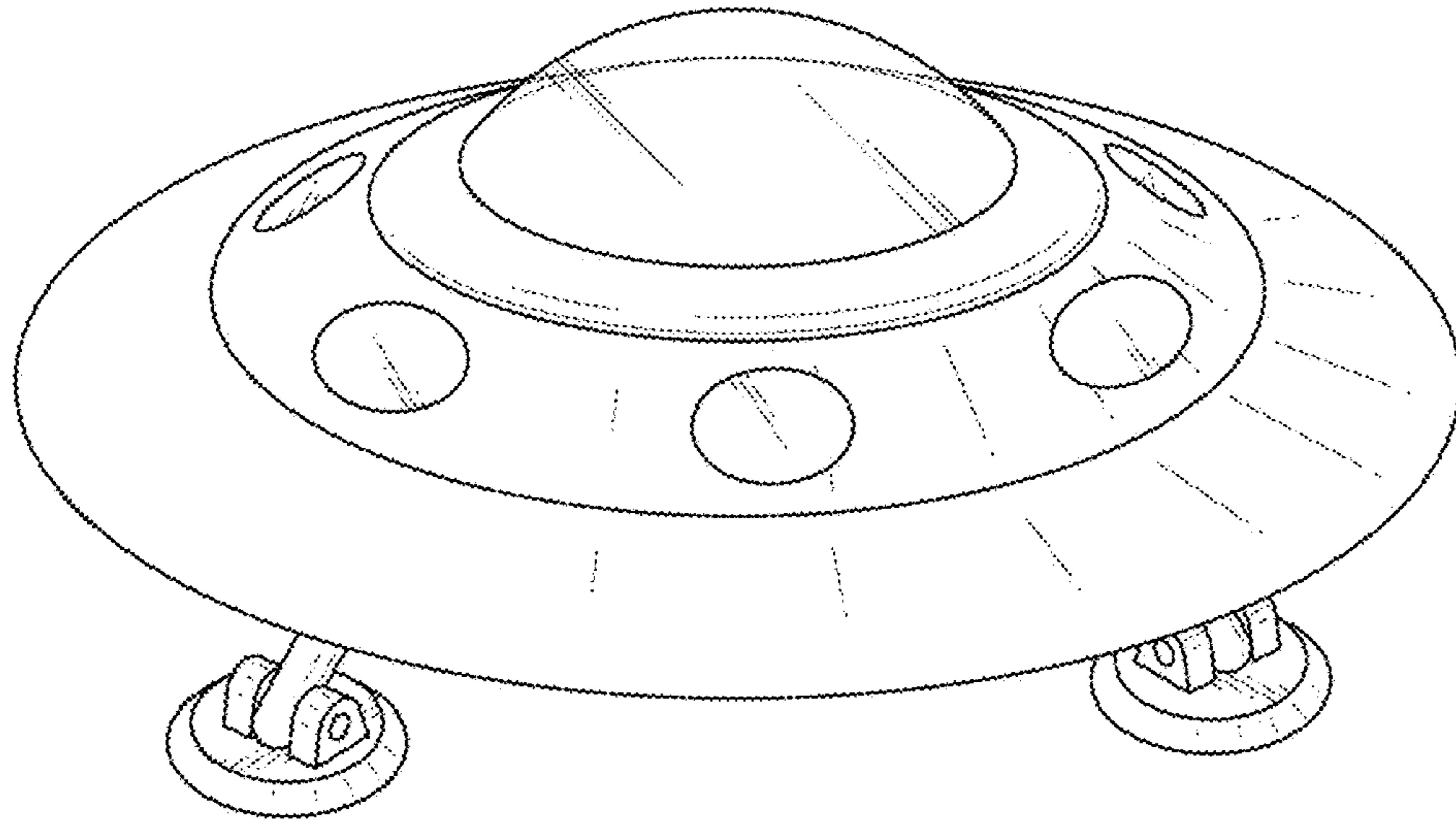


FIG. 1

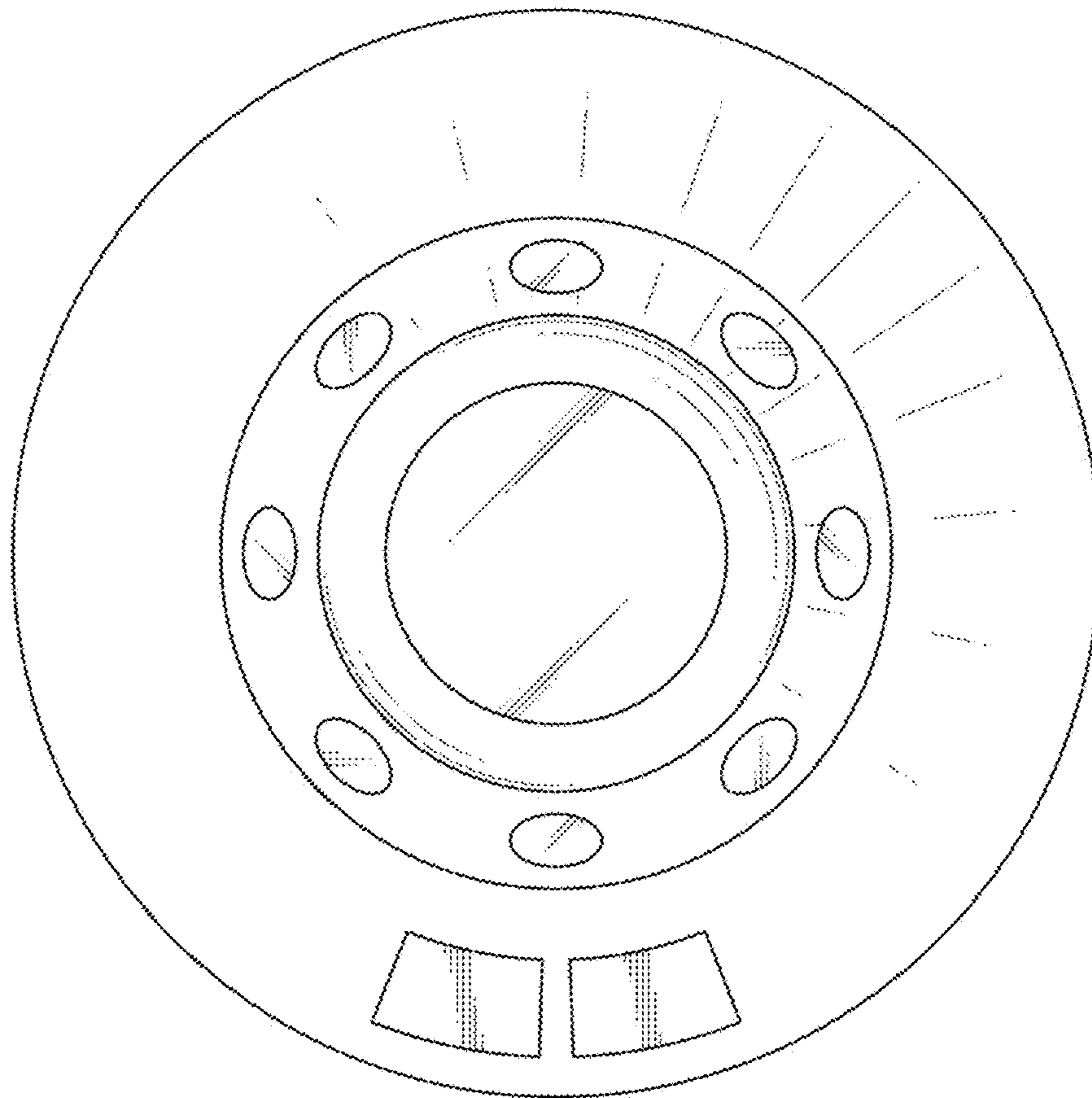
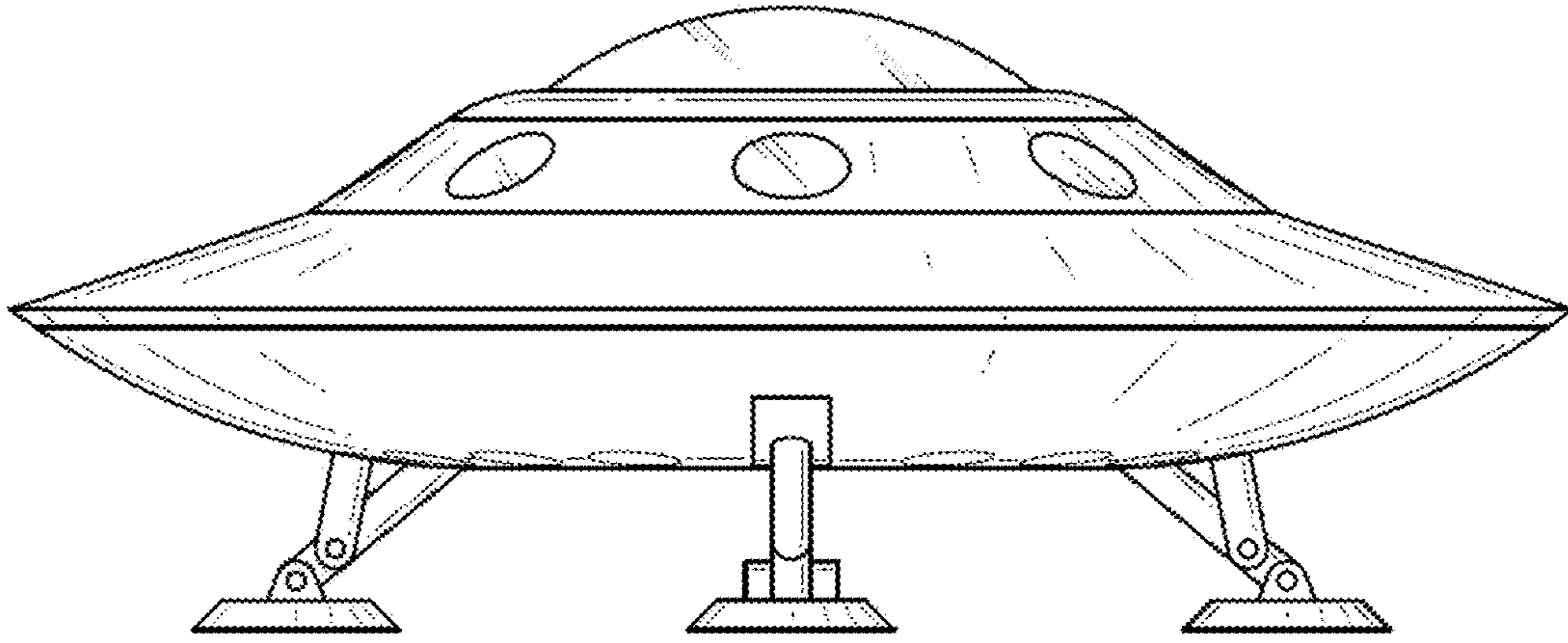
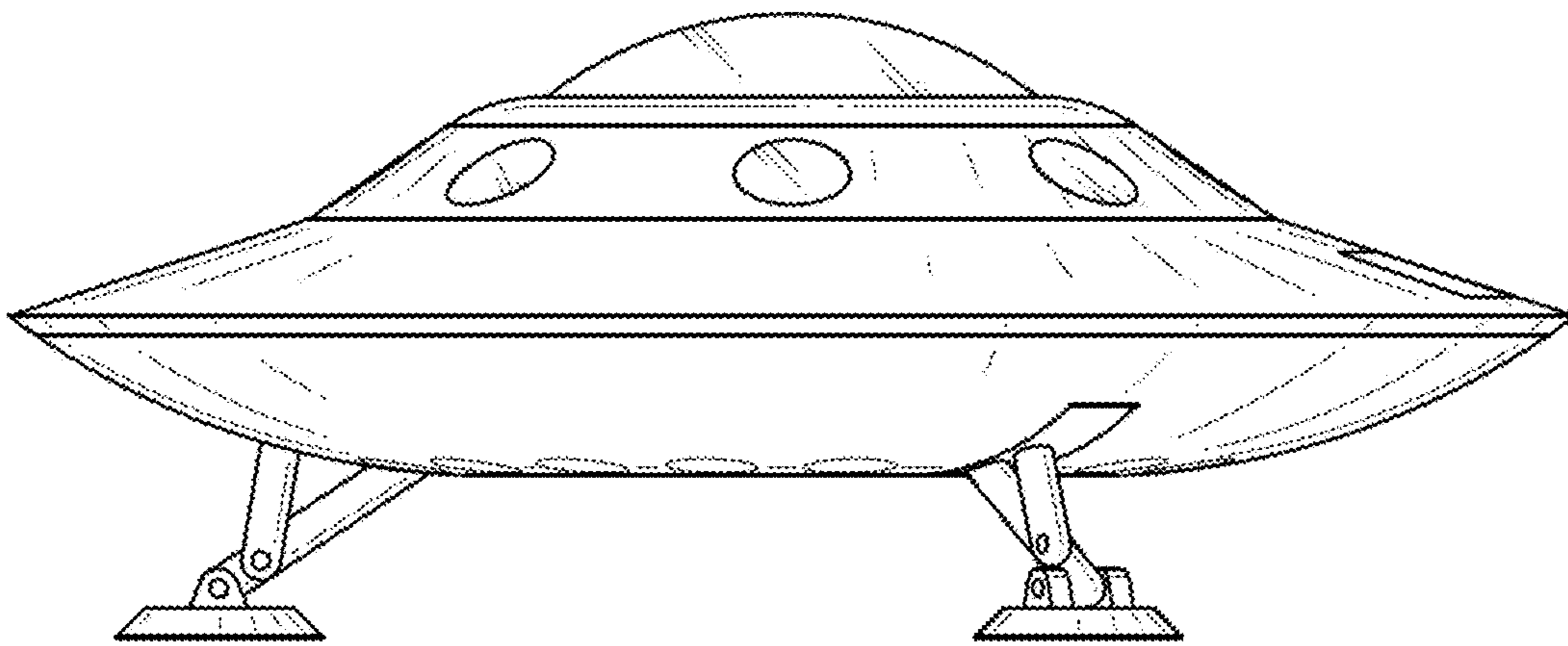


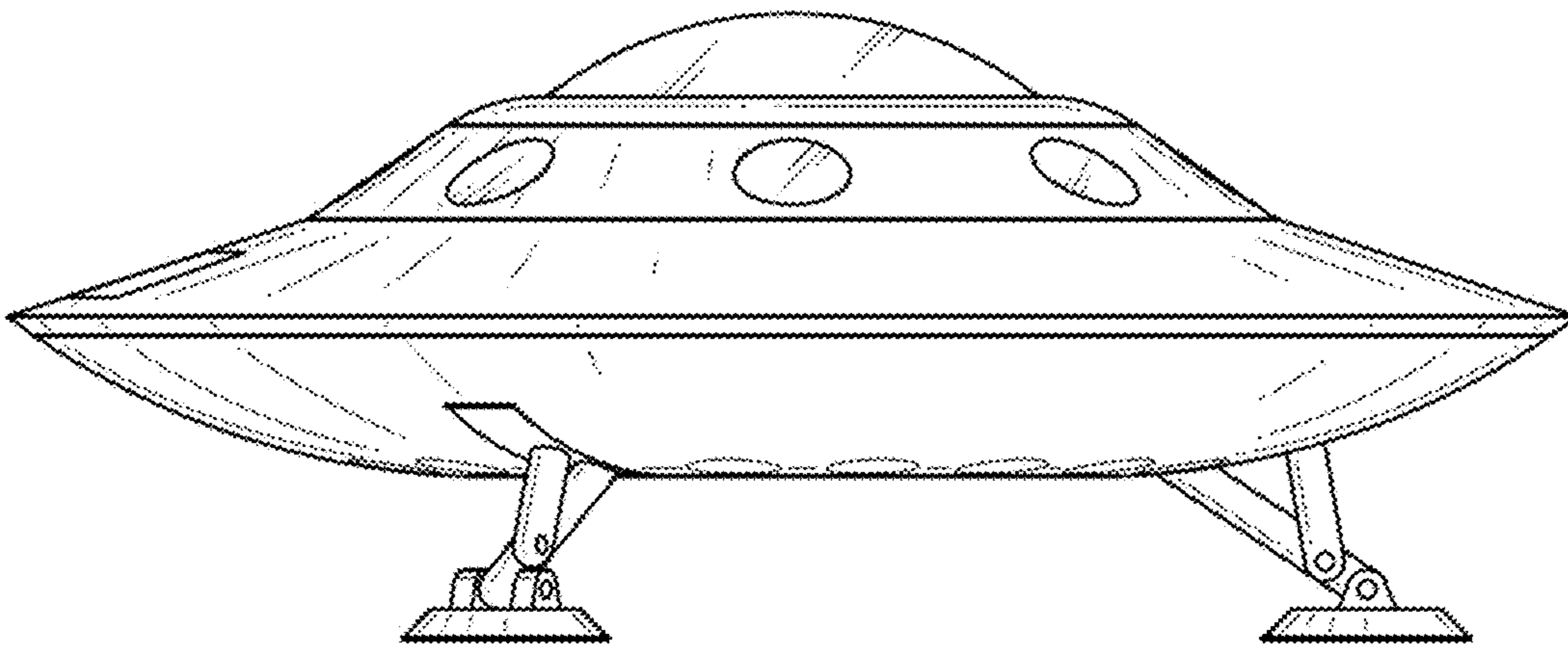
FIG. 2



**FIG. 3**

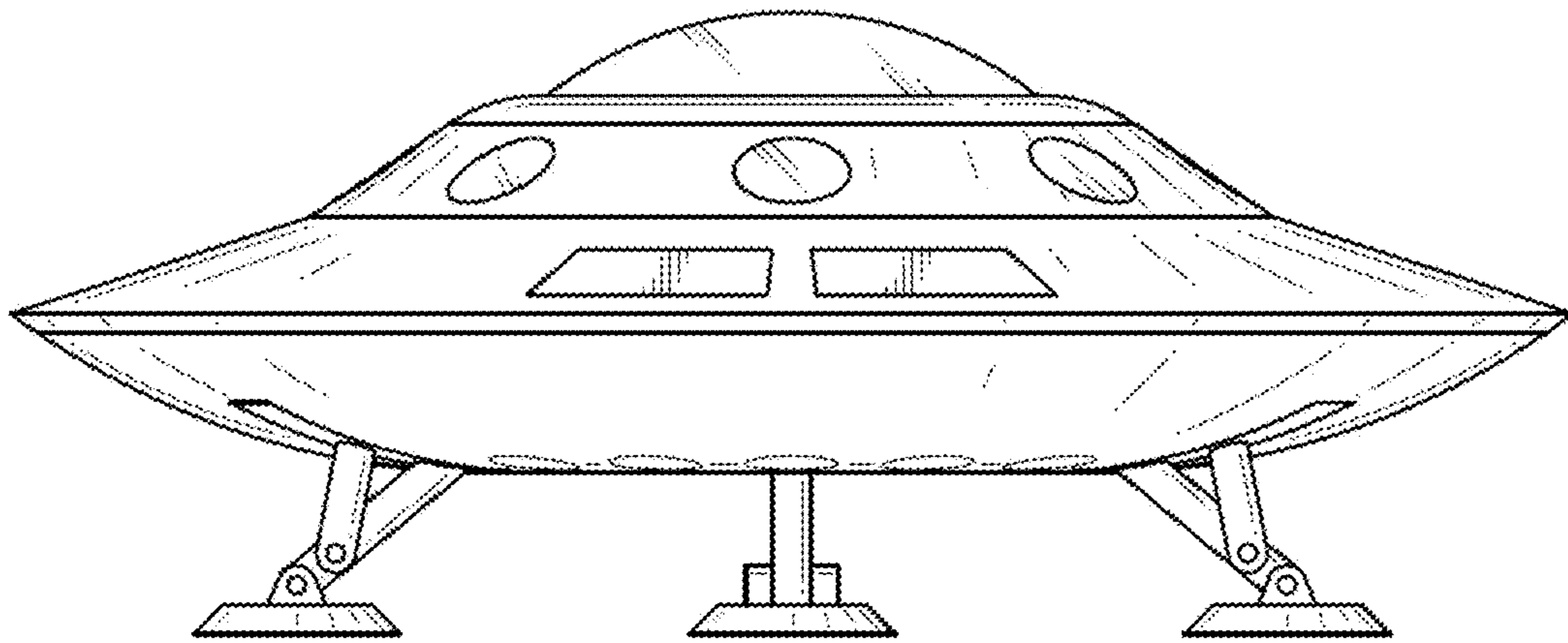


**FIG. 4**

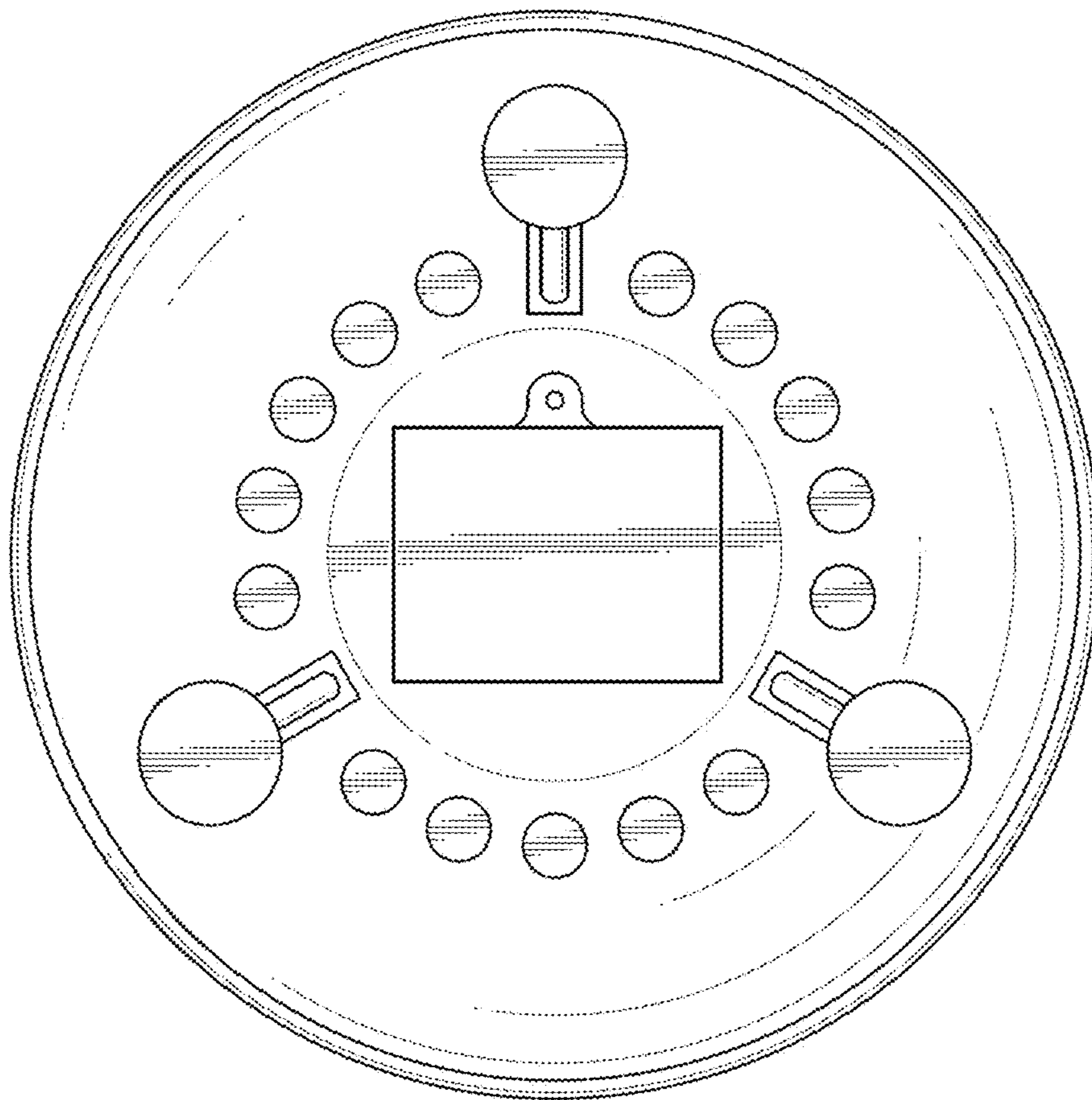


**FIG. 5**





**FIG. 6**



**FIG. 7**