



US00D714484S

(12) **United States Design Patent**  
**Barnes et al.**

(10) **Patent No.:** **US D714,484 S**

(45) **Date of Patent:** **\*\* Sep. 30, 2014**

(54) **LINEAR LIGHTING FIXTURE**

(71) Applicants: **Thomas F. Barnes**, Charlevoix, MI  
(US); **Joel E. Robinson**, Charlevoix, MI  
(US)

(72) Inventors: **Thomas F. Barnes**, Charlevoix, MI  
(US); **Joel E. Robinson**, Charlevoix, MI  
(US)

(73) Assignee: **A.L.P. Lighting & Ceiling Products, Inc.**, Niles, IL (US)

(\*\*) Term: **14 Years**

(21) Appl. No.: **29/445,717**

(22) Filed: **Feb. 15, 2013**

(51) **LOC (10) Cl.** ..... **26-05**

(52) **U.S. Cl.**  
USPC ..... **D26/72**

(58) **Field of Classification Search**  
CPC ..... F21S 4/00; F21S 8/00; F21W 2131/3005;  
F21W 2131/304; F21W 2131/308;  
F21W 2131/405  
USPC ..... D26/51, 56, 72, 75-78, 80, 92, 118;  
362/98, 147, 217.01, 218, 219, 222,  
362/223, 260, 294, 373  
See application file for complete search history.

(56) **References Cited**

**U.S. PATENT DOCUMENTS**

2,318,716 A \* 5/1943 Rolph ..... 362/223  
D149,655 S \* 5/1948 Lindahl ..... D26/77

D180,537 S \* 6/1957 Stevens ..... D26/76  
D246,330 S \* 11/1977 Krase et al. .... D26/76  
D452,579 S \* 12/2001 Shemitz et al. .... D26/76  
D455,516 S \* 4/2002 Casciani et al. .... D26/76  
D617,935 S \* 6/2010 Miletich et al. .... D26/76  
D621,085 S \* 8/2010 Kochanski et al. .... D26/76  
D635,708 S \* 4/2011 Zheng ..... D26/78  
D665,524 S \* 8/2012 Bush et al. .... D26/76  
D670,851 S \* 11/2012 Tsai ..... D26/76  
2011/0058367 A1 \* 3/2011 Shiao et al. .... 362/218  
2011/0141722 A1 \* 6/2011 Acampora et al. .... 362/218

\* cited by examiner

*Primary Examiner* — Clare E Heflin

(74) *Attorney, Agent, or Firm* — Joan Pennington

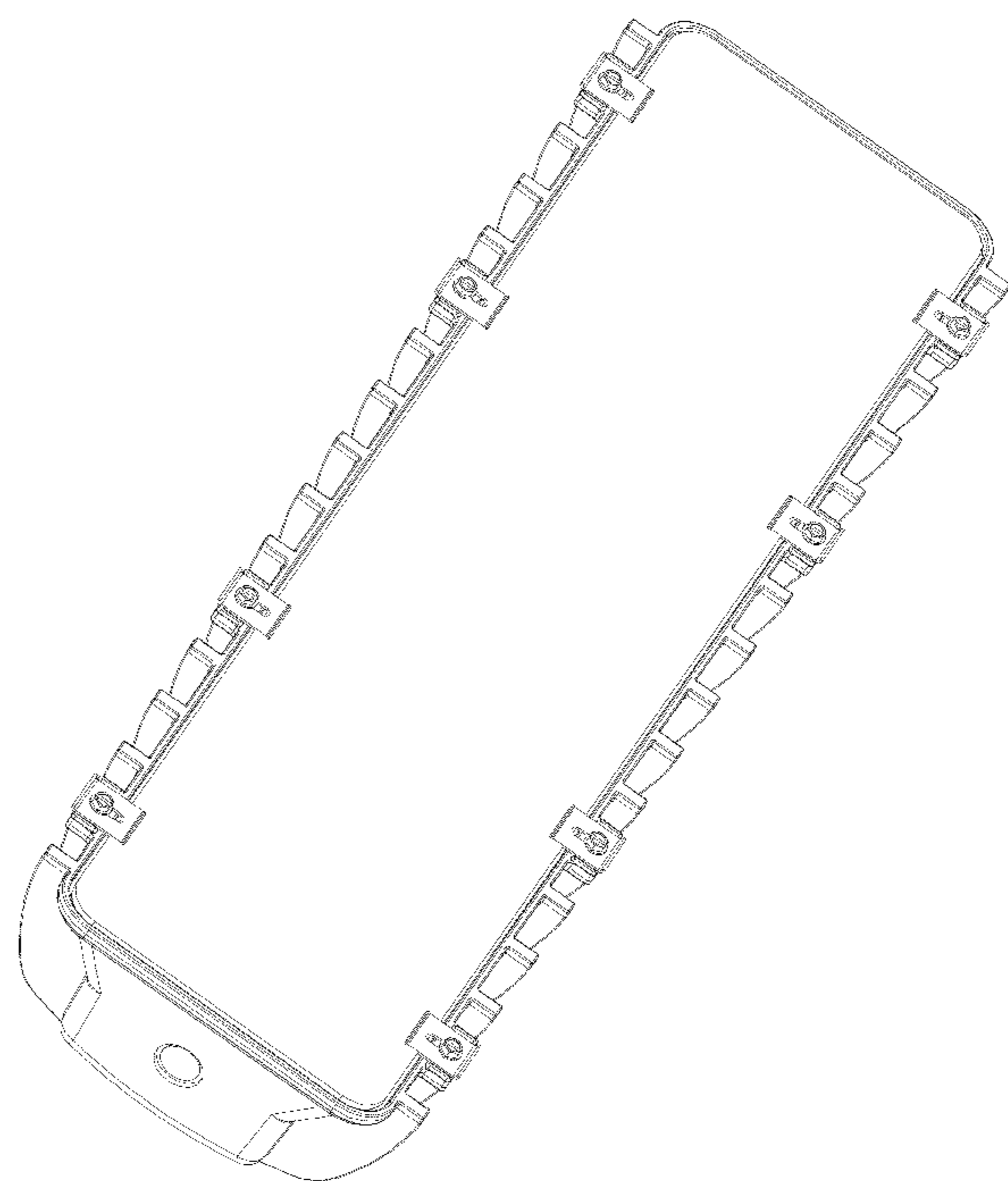
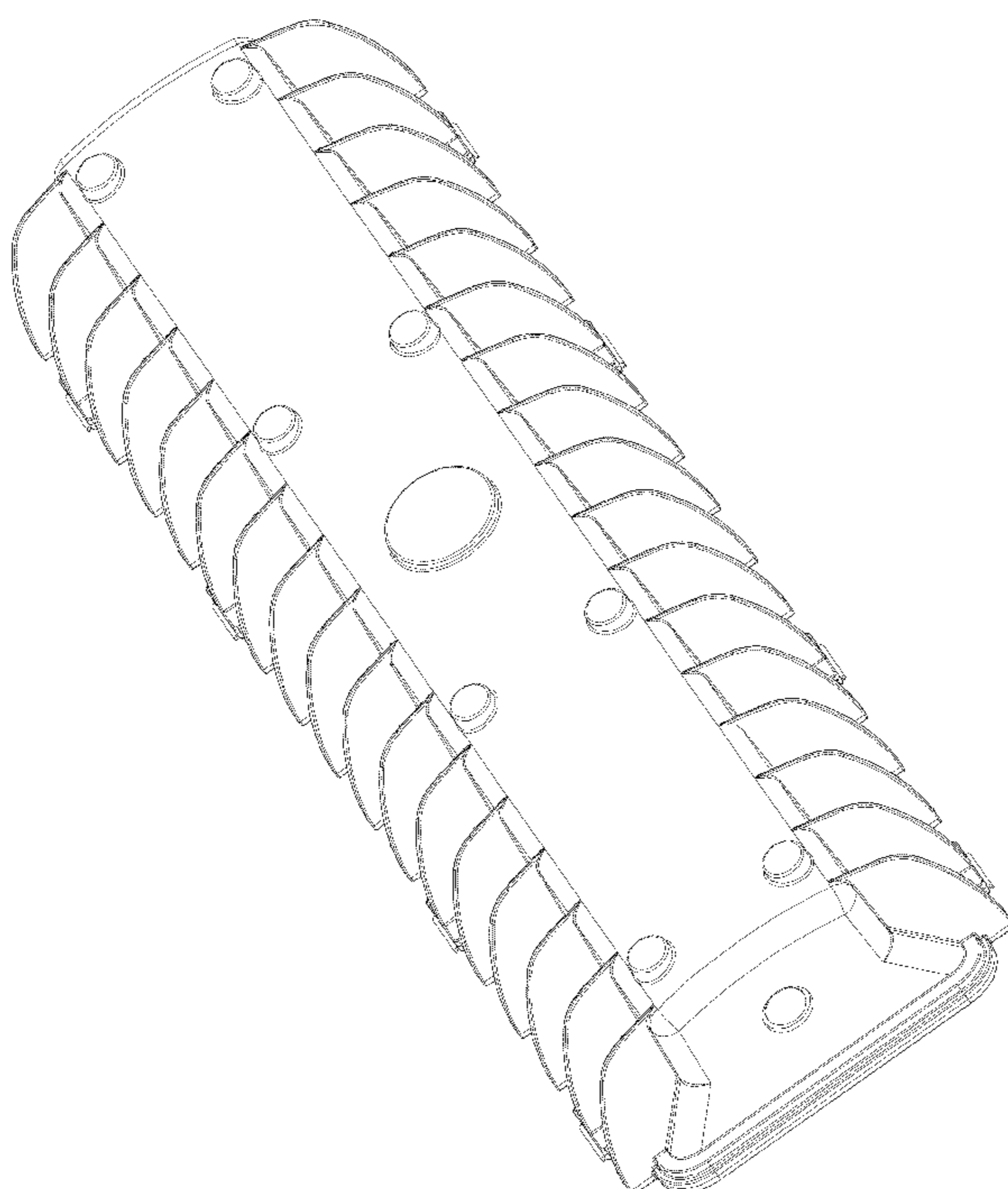
(57) **CLAIM**

The ornamental design for a linear lighting fixture, as shown and described.

**DESCRIPTION**

FIG. 1 is a first perspective view of the linear lighting fixture; FIG. 2 is a second perspective view of the linear lighting fixture; FIG. 3 is another perspective view showing an opposite end of the view shown in FIG. 2 of the linear lighting fixture; and, FIG. 4 is another perspective view showing an opposite end of the view shown in FIG. 1 of the linear lighting fixture.

**1 Claim, 4 Drawing Sheets**



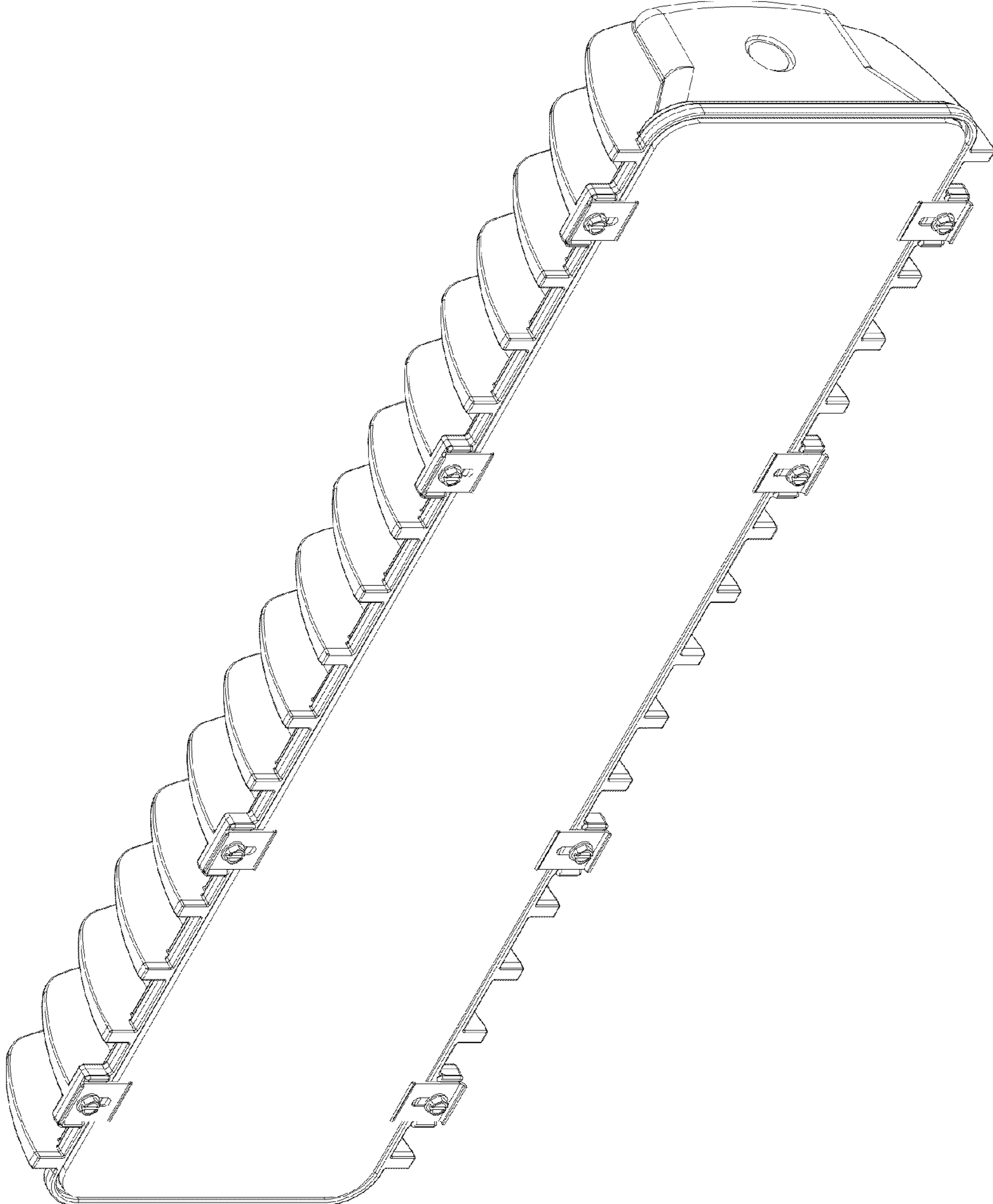


FIG. 1

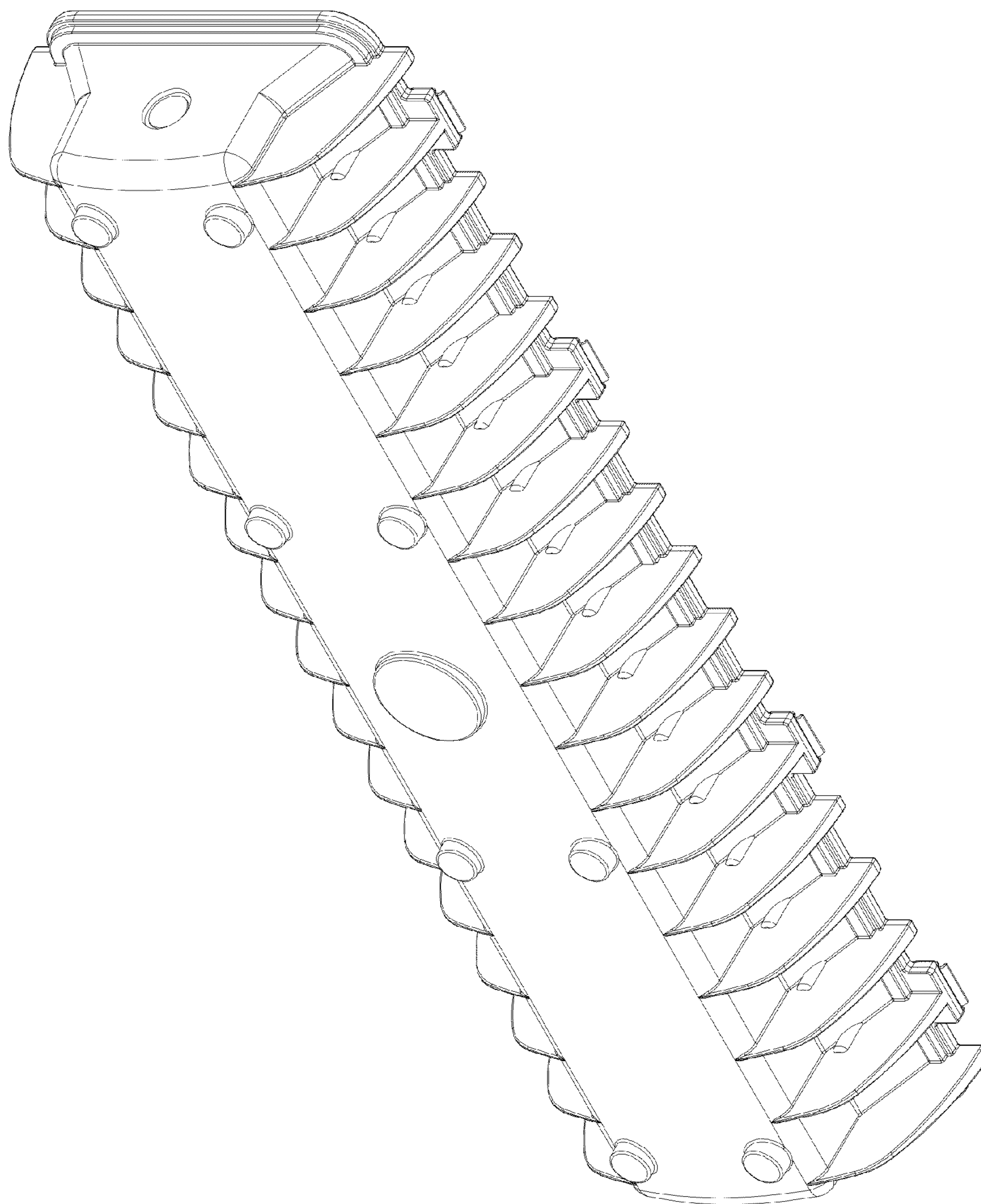


FIG. 2

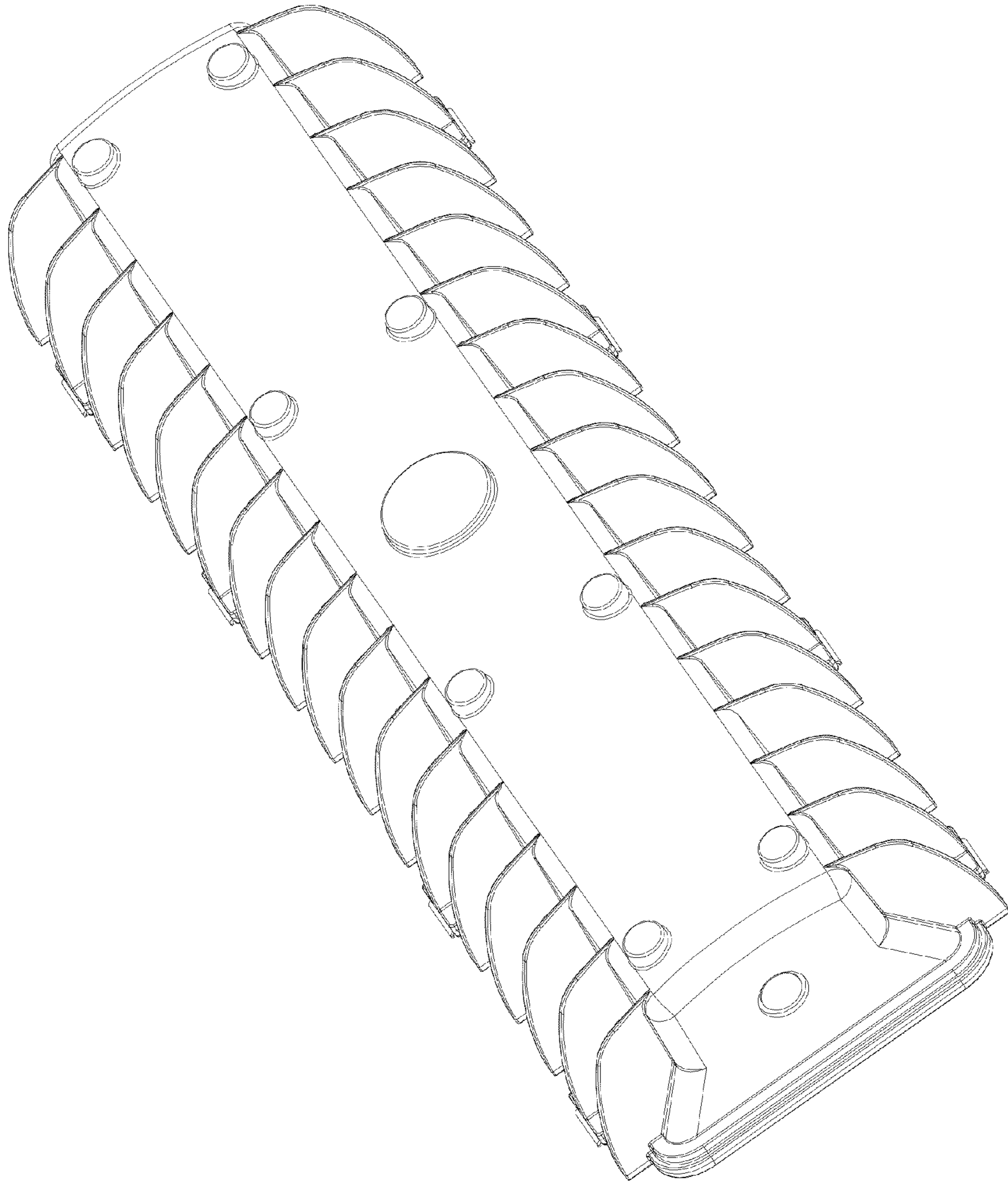


FIG. 3

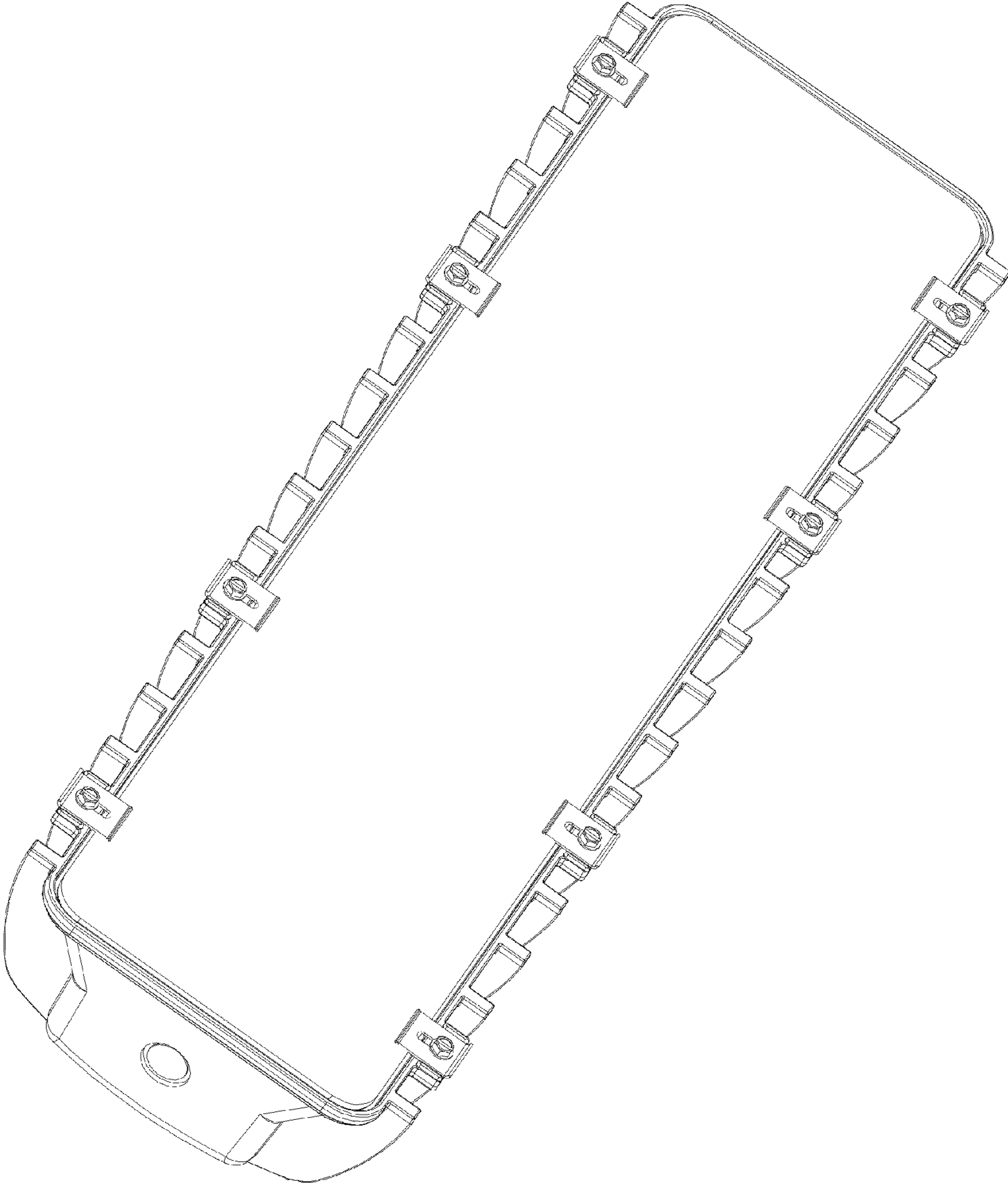


FIG. 4