



US00D714483S

(12) **United States Design Patent**  
**Polick et al.**

(10) **Patent No.:** **US D714,483 S**

(45) **Date of Patent:** **\*\* Sep. 30, 2014**

(54) **DESK LAMP**

(71) Applicant: **Contemporary Visions, LLC**,  
Larchmont, NY (US)

(72) Inventors: **Peter Polick**, New York, NY (US);  
**Robert A. Sonneman**, Mamaroneck, NY  
(US)

(73) Assignee: **Contemporary Visions, LLC**,  
Larchmont, NY (US)

(\*\*) Term: **14 Years**

(21) Appl. No.: **29/458,304**

(22) Filed: **Jun. 18, 2013**

**Related U.S. Application Data**

(63) Continuation-in-part of application No. 29/440,783,  
filed on Dec. 27, 2012.

(51) **LOC (10) Cl.** ..... **26-03**

(52) **U.S. Cl.**  
USPC ..... **D26/65**

(58) **Field of Classification Search**  
CPC ..... F21Y 2101/02; F21S 6/003; F21V 21/26;  
F21V 21/30  
USPC ..... D26/24, 61, 63, 65, 93, 107; 362/157,  
362/190, 255, 269, 275, 285, 287, 418-419,  
362/427

See application file for complete search history.

(56) **References Cited**

**U.S. PATENT DOCUMENTS**

D579,597 S \* 10/2008 Ng ..... D26/61  
D622,883 S \* 8/2010 Huang ..... D26/63  
D641,916 S \* 7/2011 Witsch ..... D26/93  
D663,062 S \* 7/2012 Ng et al. .... D26/65  
D690,858 S \* 10/2013 Citterio ..... D26/63

\* cited by examiner

*Primary Examiner* — Brian N Vinson

(74) *Attorney, Agent, or Firm* — Gottlieb, Rackman &  
Reisman, P.C.

(57) **CLAIM**

The ornamental design for a desk lamp, as shown and  
described.

**DESCRIPTION**

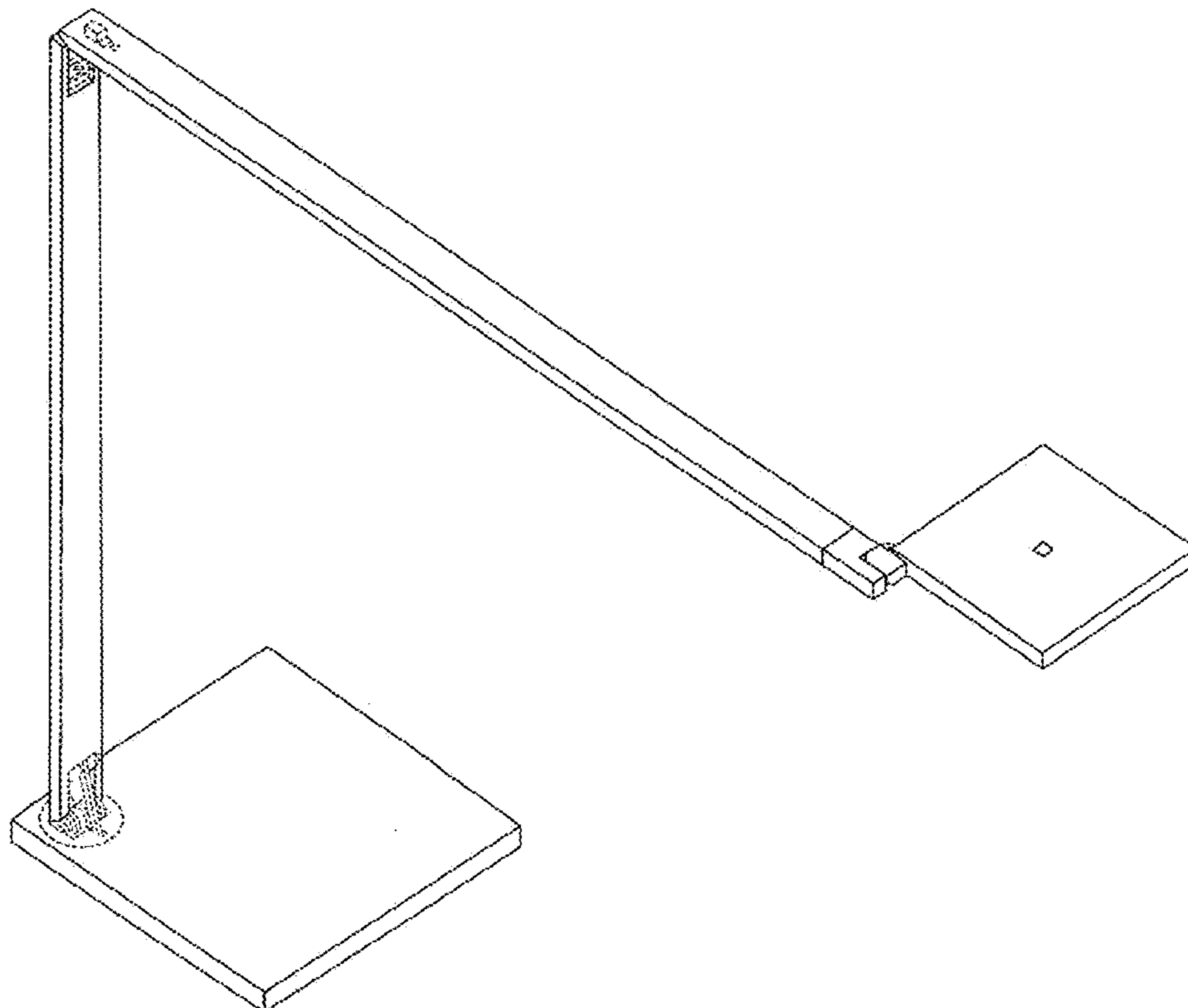
FIG. 1 is a perspective view of the desk lamp showing our new  
design;

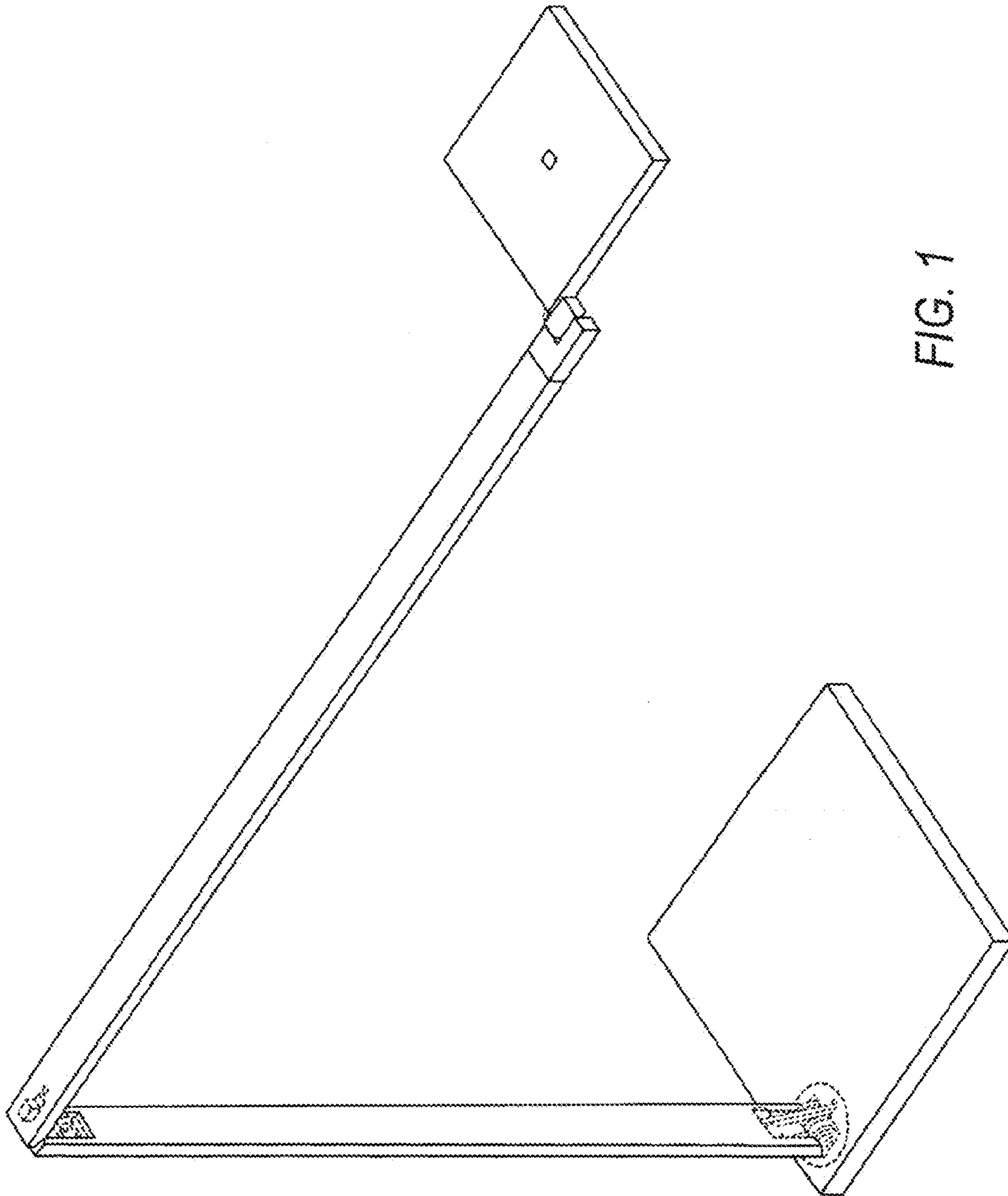
FIG. 2 is a right side elevational view thereof, the left side  
elevational view being a mirror image; and,

FIG. 3 is a bottom plan view thereof.

The broken-line disclosure represents unclaimed portions of  
the desk lamp.

**1 Claim, 2 Drawing Sheets**





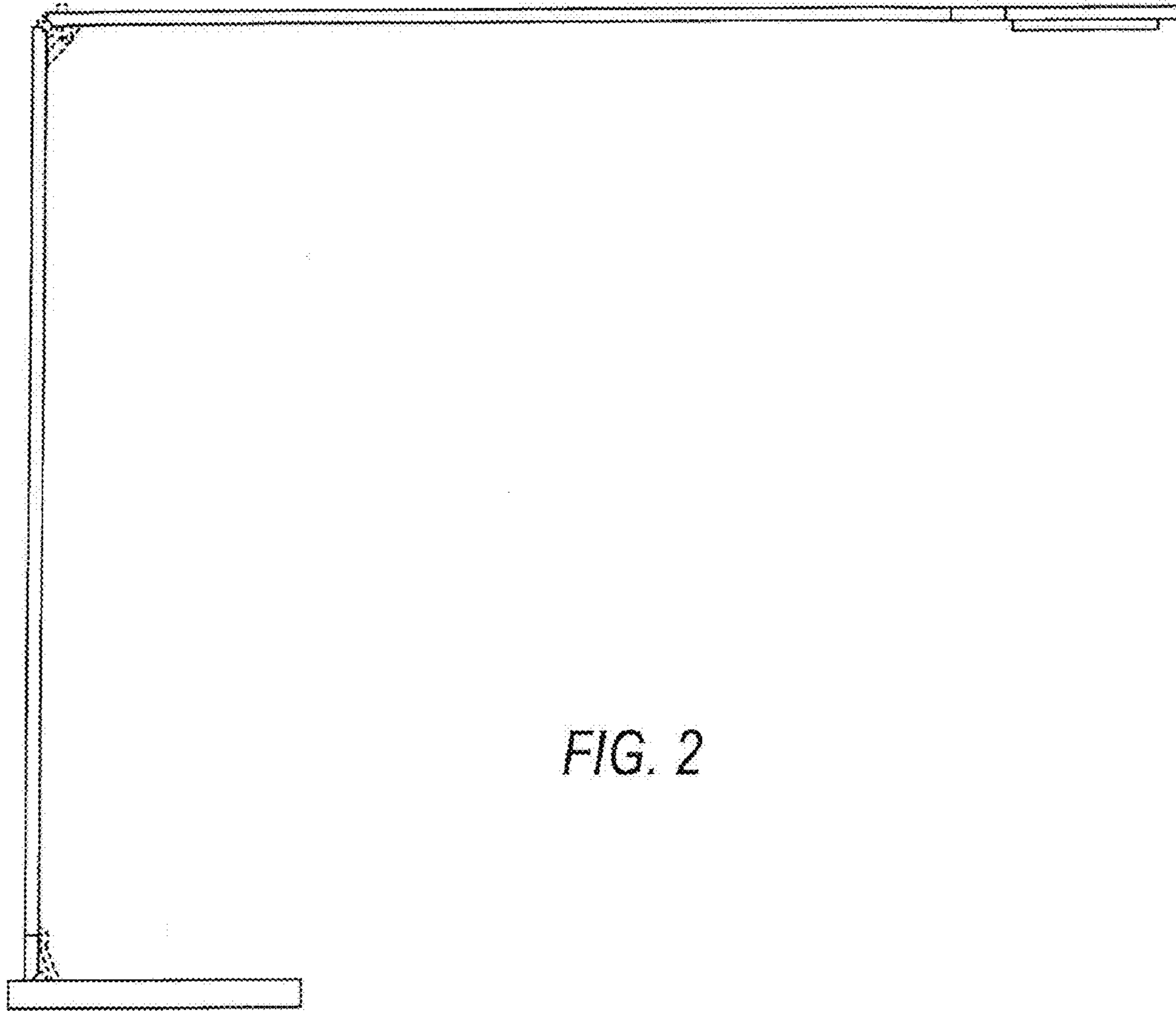


FIG. 2

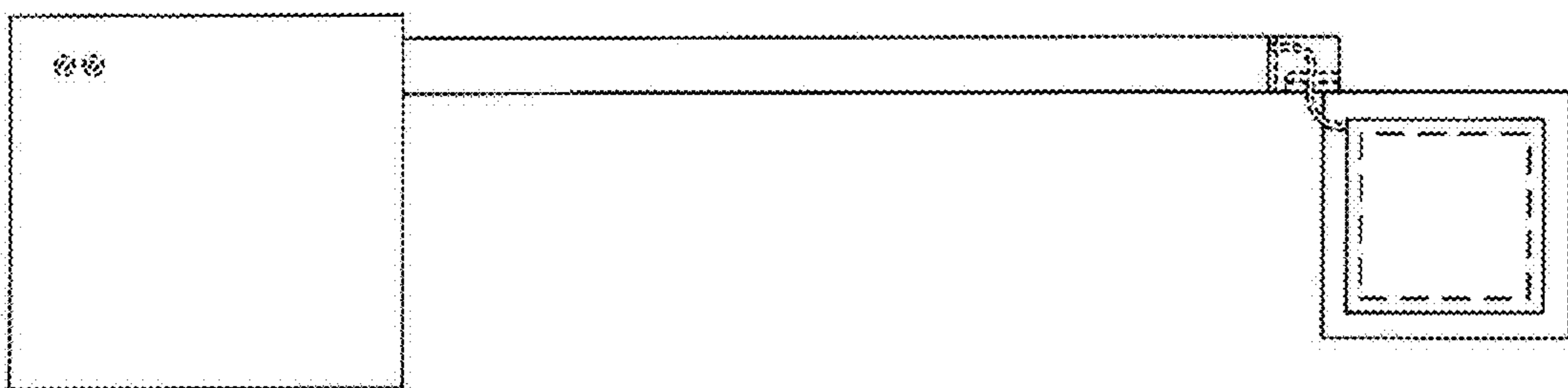


FIG. 3