



US00D714482S

(12) **United States Design Patent**
Polick et al.

(10) **Patent No.:** **US D714,482 S**

(45) **Date of Patent:** **** *Sep. 30, 2014**

(54) **DESK LAMP**

(71) Applicant: **Contemporary Visions, L.L.C.**,
Larchmond, NY (US)
(72) Inventors: **Peter Polick**, New York, NY (US);
Robert A. Sonneman, Mamaroneck, NY
(US)

(73) Assignee: **Contemporary Visions, LLC**,
Larchmont, NY (US)

(*) Notice: This patent is subject to a terminal disclaimer.

(**) Term: **14 Years**

(21) Appl. No.: **29/440,783**

(22) Filed: **Dec. 27, 2012**

(51) **LOC (10) Cl.** **26-03**

(52) **U.S. Cl.**
USPC **D26/65**

(58) **Field of Classification Search**
CPC F21Y 2101/02; F21S 6/003; F21V 21/26
USPC D26/24, 61, 63, 65, 93, 107; 362/157,
362/190, 255, 269, 275, 285, 287, 418-419,
362/427

See application file for complete search history.

(56) **References Cited**

U.S. PATENT DOCUMENTS

| | | | |
|--------------|---------|----------------|--------|
| D579,597 S * | 10/2008 | Ng | D26/61 |
| D622,883 S * | 8/2010 | Huang | D26/63 |
| D641,916 S * | 7/2011 | Witsch | D26/93 |
| D663,062 S * | 7/2012 | Ng et al. | D26/65 |
| D690,858 S * | 10/2013 | Citterio | D26/63 |

* cited by examiner

Primary Examiner — Brian N Vinson

(74) *Attorney, Agent, or Firm* — Gottlieb, Rackman & Reisman, P.C.

(57) **CLAIM**

The ornamental design for a desk lamp, as shown and described.

DESCRIPTION

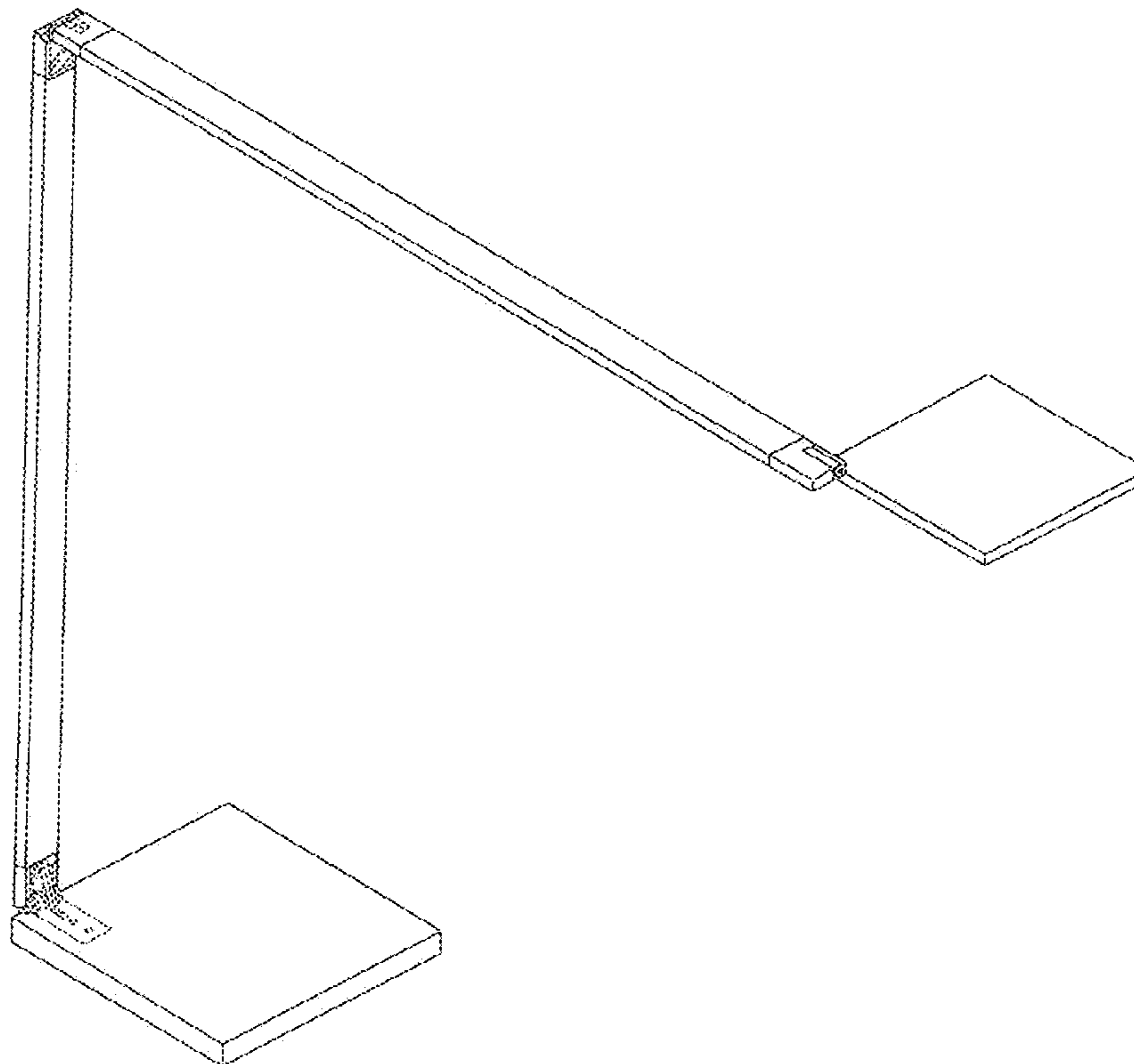
FIG. 1 is a perspective view of the desk lamp showing our new design;

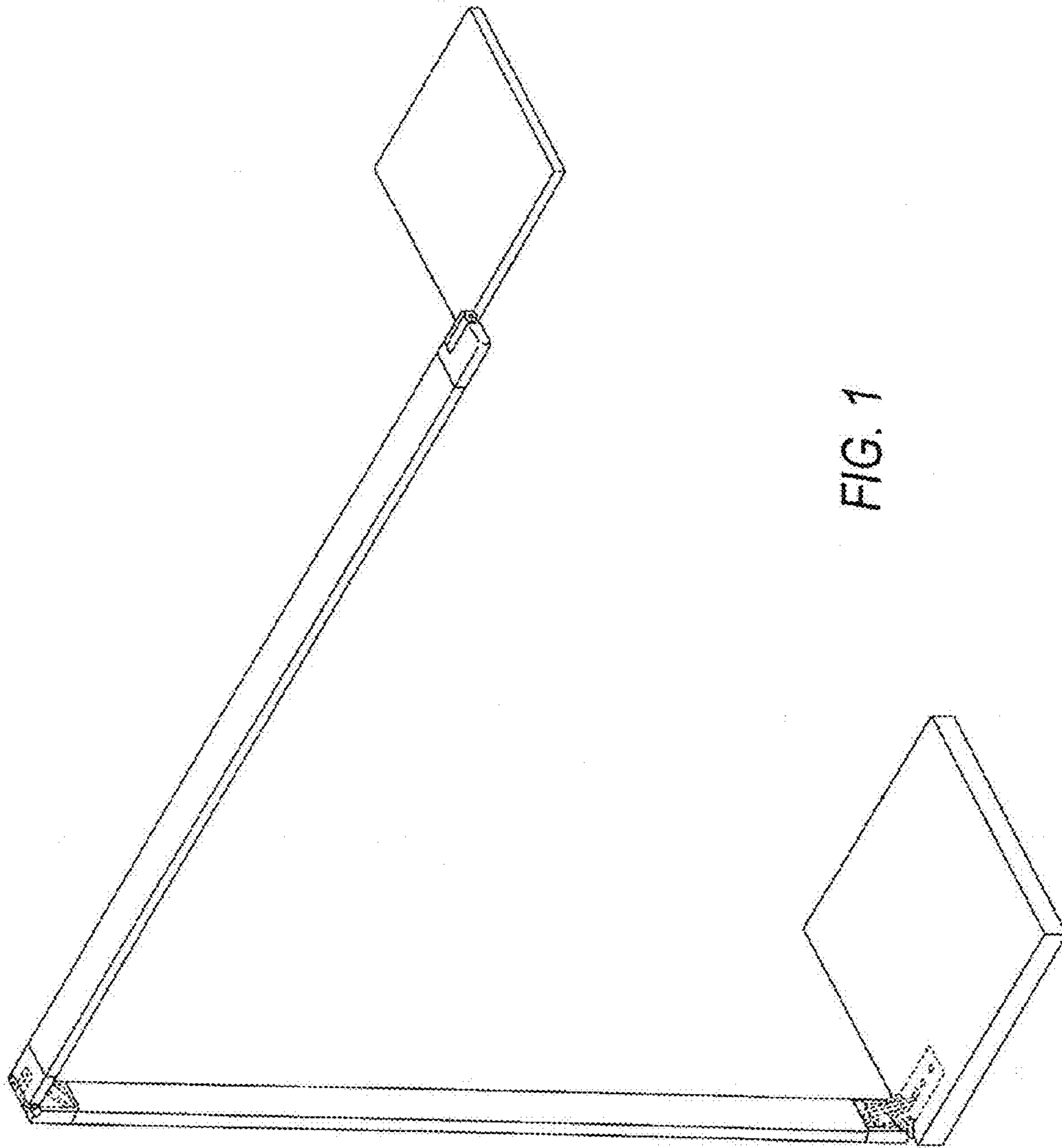
FIG. 2 is a right side elevational view thereof, the left side elevational view being a mirror image; and,

FIG. 3 is a bottom plan view thereof.

The broken-line disclosure represents unclaimed portions of the desk lamp.

1 Claim, 2 Drawing Sheets





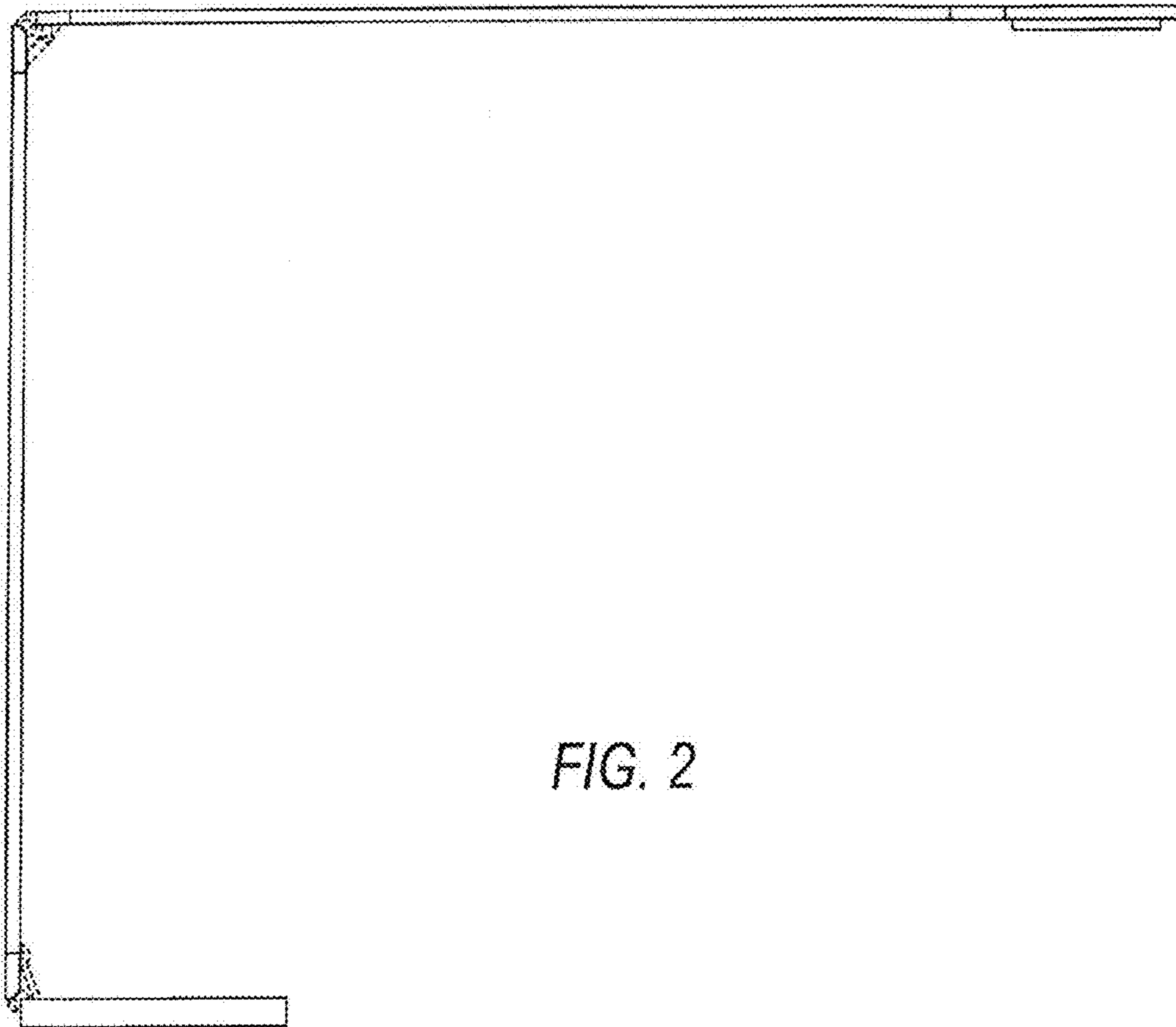


FIG. 2

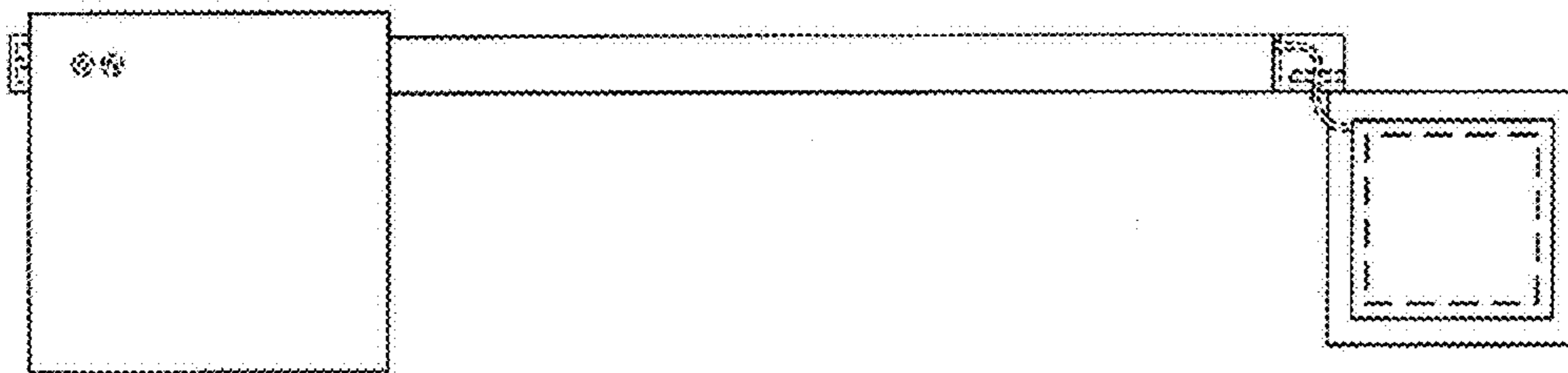


FIG. 3