



US00D714481S

(12) **United States Design Patent**
Moeller

(10) **Patent No.:** **US D714,481 S**

(45) **Date of Patent:** **** Sep. 30, 2014**

(54) **INTERIOR LIGHTS**

(71) Applicant: **Steinel GmbH**, Herzebrock (DE)

(72) Inventor: **Thomas Moeller**, Herford (DE)

(73) Assignee: **Steinel GmbH**, Herzebrock (DE)

(**) Term: **14 Years**

(21) Appl. No.: **29/434,384**

(22) Filed: **Oct. 12, 2012**

(30) **Foreign Application Priority Data**

Apr. 12, 2012 (EM) 002024752-0001
Apr. 12, 2012 (EM) 002024752-0002

(51) **LOC (10) Cl.** **26-05**

(52) **U.S. Cl.**
USPC **D26/63**

(58) **Field of Classification Search**

CPC F21S 8/02; F21V 14/04; F21V 23/0442;
F21W 2131/402; F21Y 2101/02
USPC D26/1, 24, 76-78, 80, 86, 61, 63, 65;
362/100, 127, 133, 240, 605, 612, 613,
362/640, 646, 648

See application file for complete search history.

(56) **References Cited**

U.S. PATENT DOCUMENTS

D392,066 S *	3/1998	Morrow et al.	D26/65
D581,080 S *	11/2008	Mier-Langner	D26/63
D625,870 S *	10/2010	Feigenbaum	D26/63
D645,594 S *	9/2011	Grawe	D26/63
D702,865 S *	4/2014	Yuen	D26/63

* cited by examiner

Primary Examiner — Brian N Vinson

(74) *Attorney, Agent, or Firm* — Bachman & LaPointe, P.C.

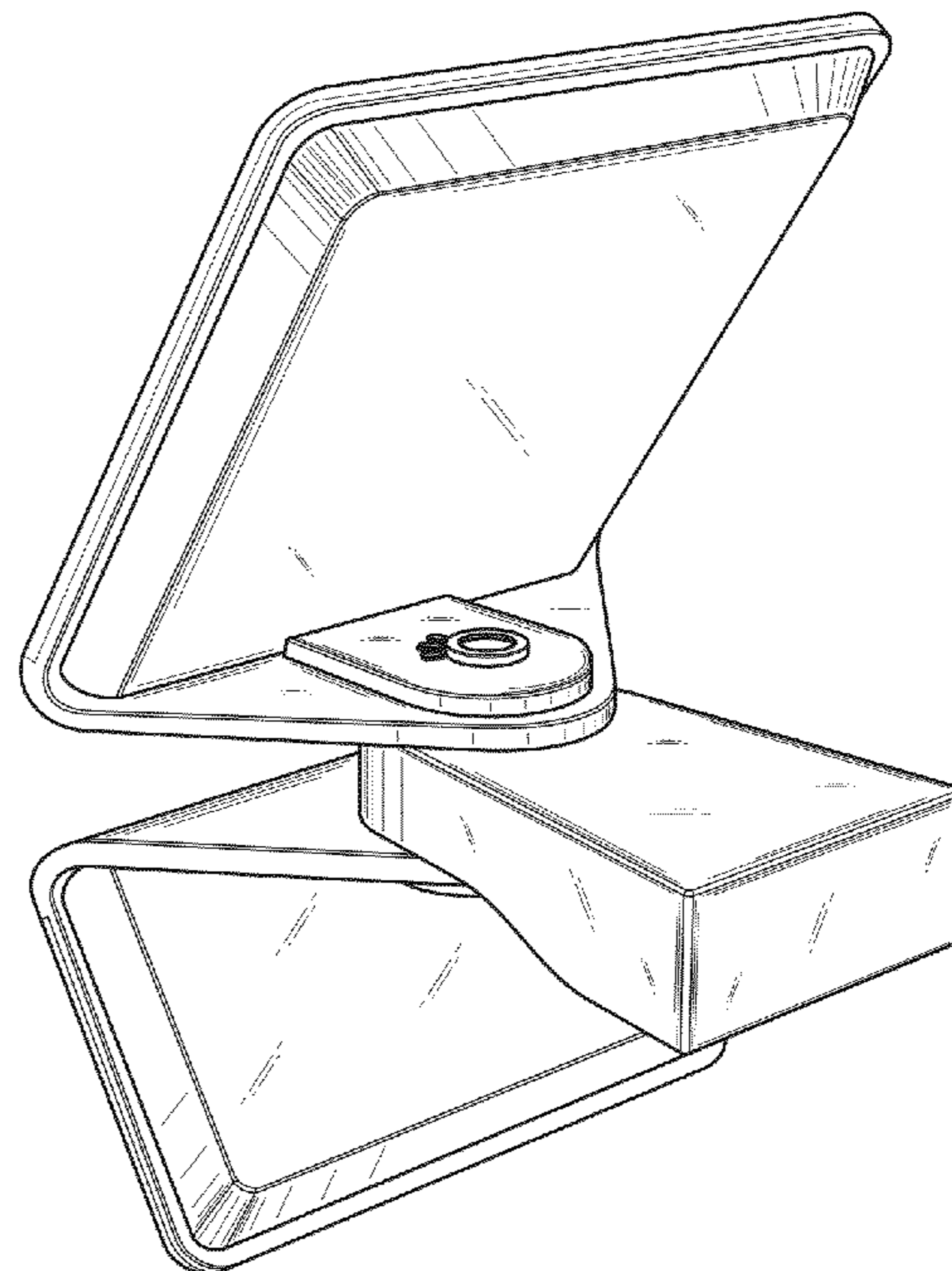
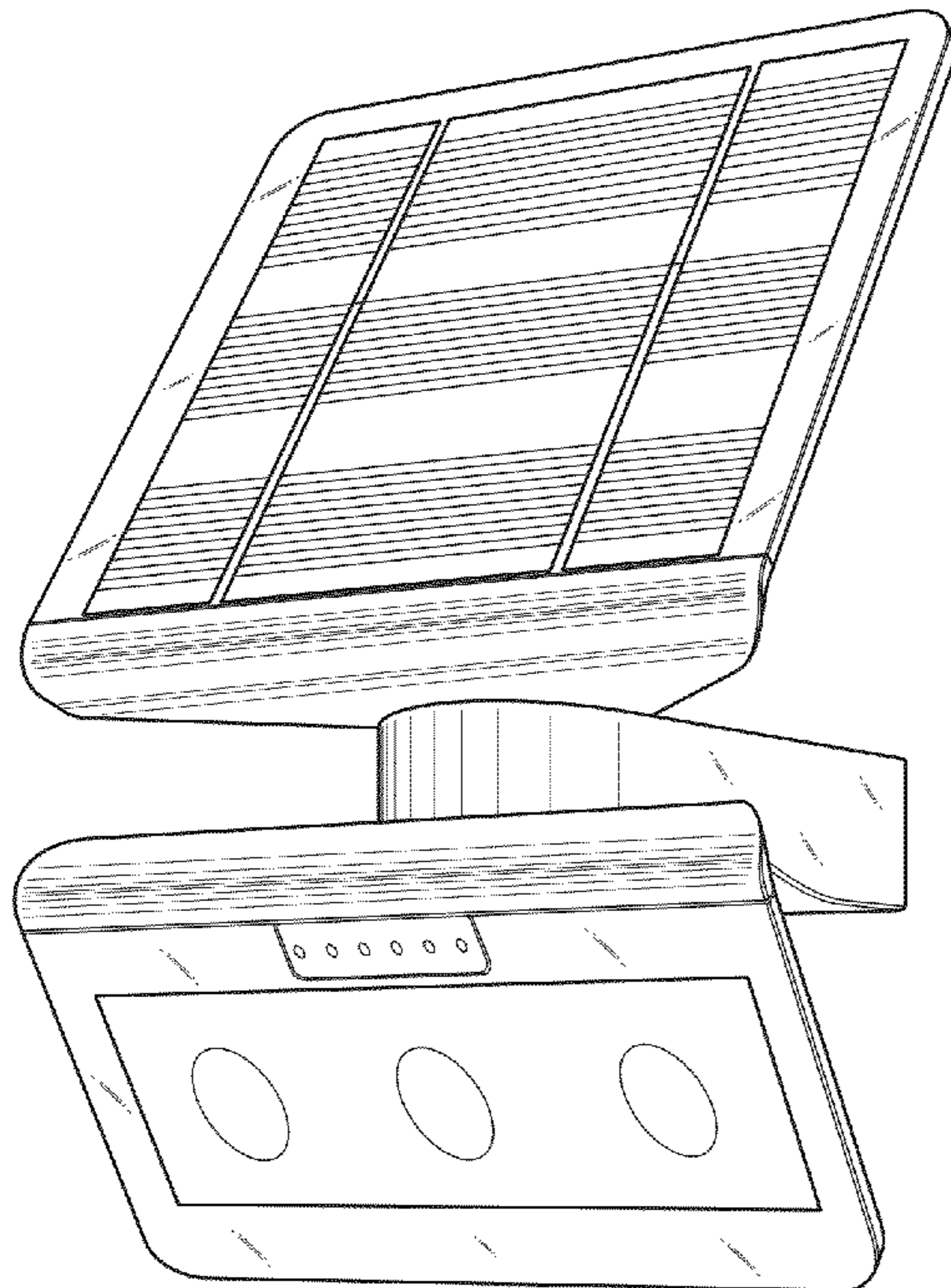
(57) **CLAIM**

The ornamental design of interior lights, as shown.

DESCRIPTION

FIG. 1 is a front perspective view of the ornamental design of an interior light in accordance with the present invention; FIG. 2 is a rear perspective view of the ornamental design of FIG. 1; FIG. 3 is a front view of the ornamental design of FIG. 1; and, FIG. 4 is a side view of the ornamental design of FIG. 1.

1 Claim, 4 Drawing Sheets



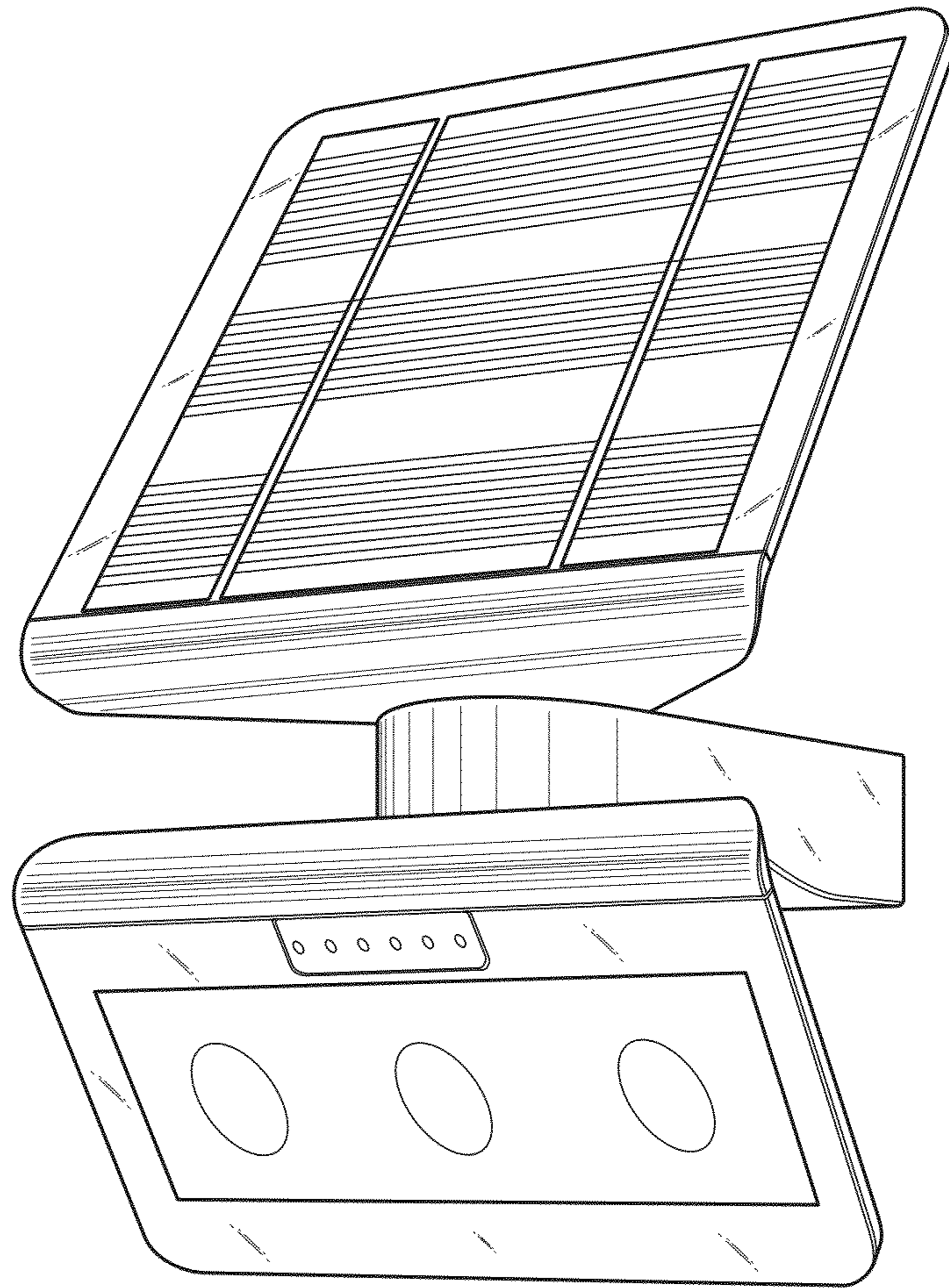


FIG. 1

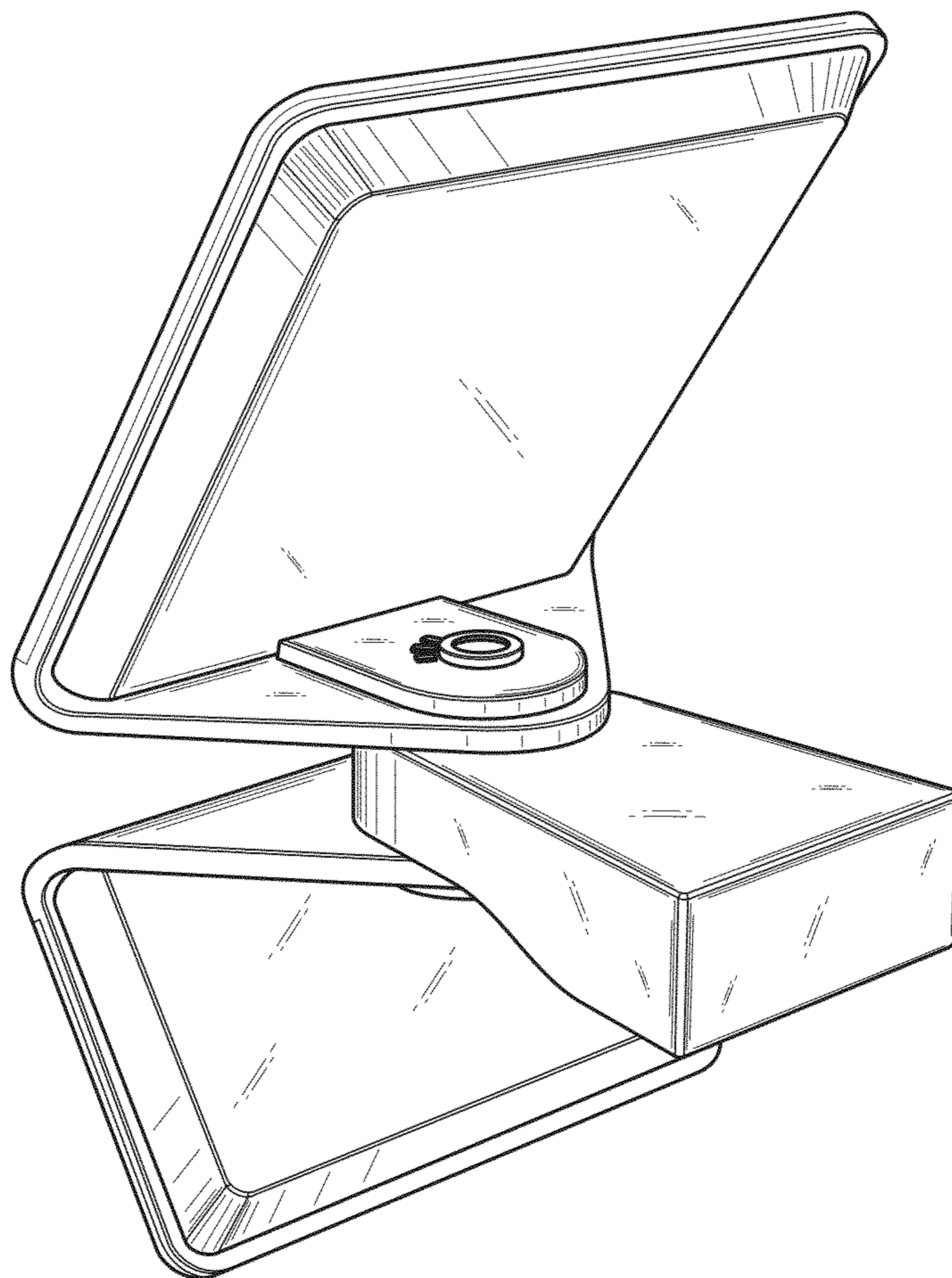


FIG. 2

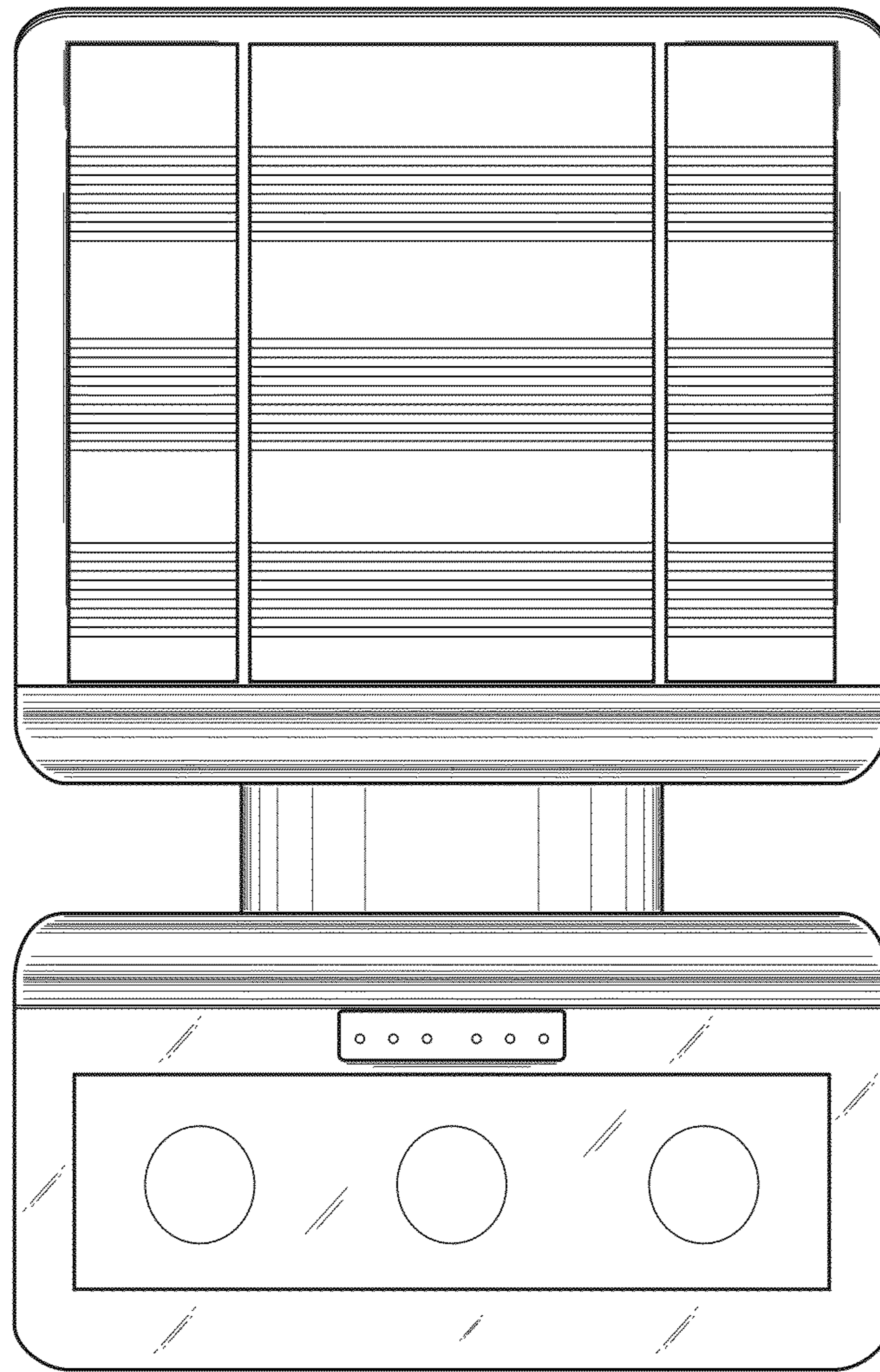


FIG. 3

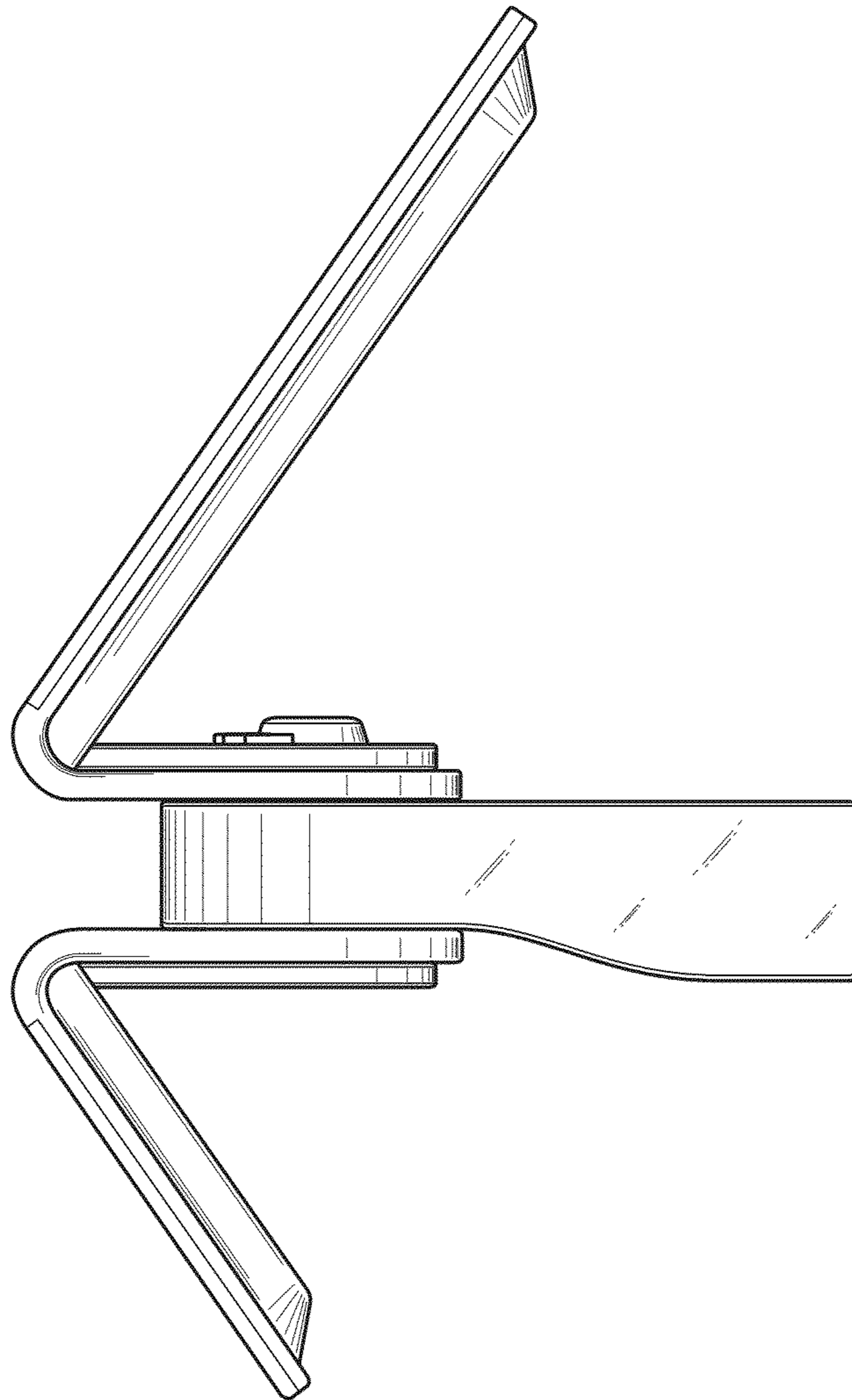


FIG. 4