



US00D714480S

(12) **United States Design Patent**
Law et al.

(10) **Patent No.:** **US D714,480 S**

(45) **Date of Patent:** **** Sep. 30, 2014**

(54) **AUTOMOBILE LIGHT BAR**

(71) Applicants: **Calvin Chuen Kam Law**, Chino, CA
(US); **George Lee**, Brea, CA (US)

(72) Inventors: **Calvin Chuen Kam Law**, Chino, CA
(US); **George Lee**, Brea, CA (US)

(**) Term: **14 Years**

(21) Appl. No.: **29/441,137**

(22) Filed: **Dec. 31, 2012**

(51) **LOC (10) Cl.** **26-06**

(52) **U.S. Cl.**
USPC **D26/31**

(58) **Field of Classification Search**
USPC D26/28-36; 362/459-468, 475-478,
362/485-487

See application file for complete search history.

(56) **References Cited**

U.S. PATENT DOCUMENTS

D526,430 S * 8/2006 Hernandez et al. D26/31
D576,754 S * 9/2008 Wang D26/31
D653,783 S * 2/2012 Biro et al. D26/31

* cited by examiner

Primary Examiner — Marcus Jackson

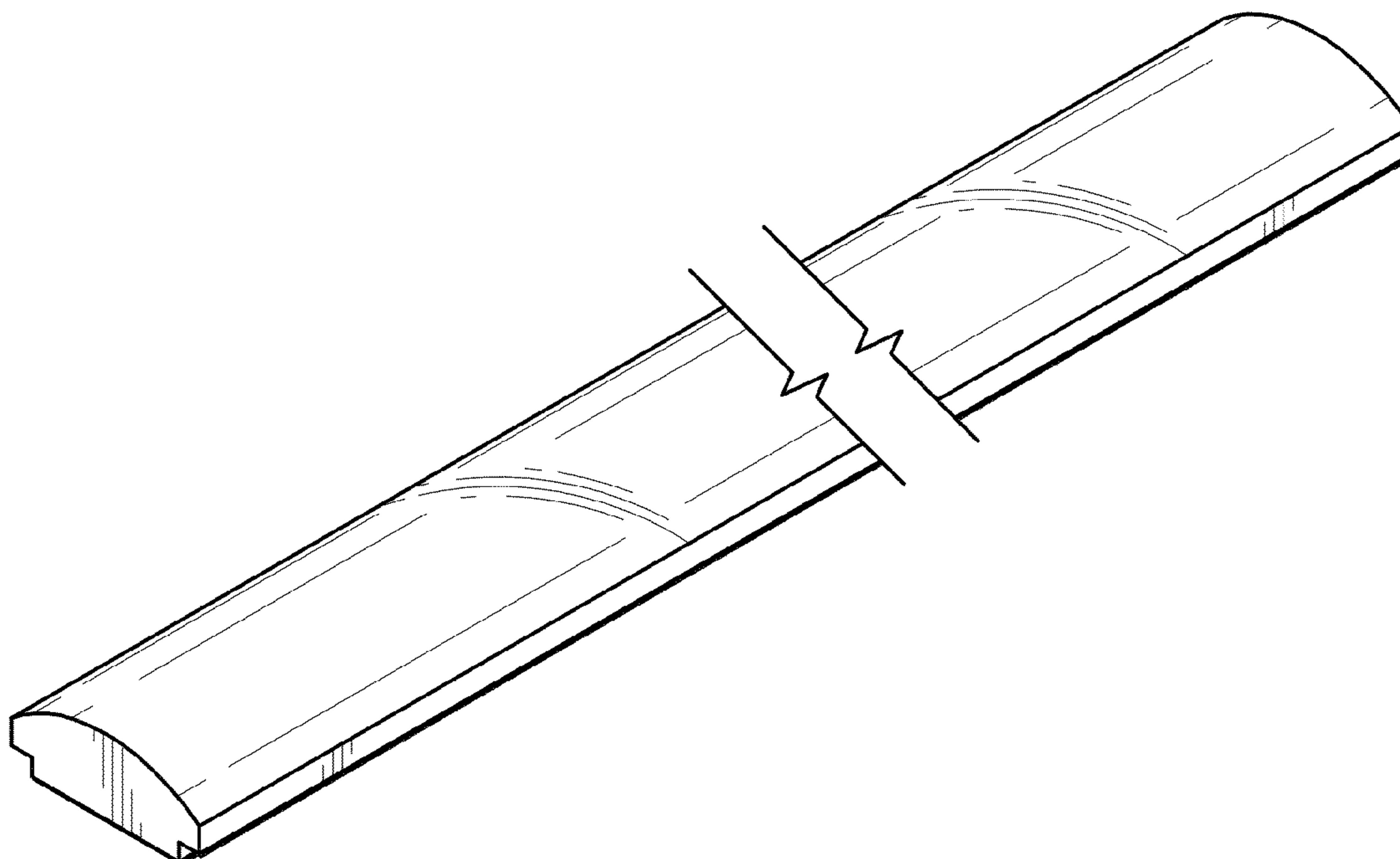
(57) **CLAIM**

An ornamental design for an automobile light bar, as shown and described.

DESCRIPTION

FIG. 1 is a perspective view of the automobile light bar having variable length;
FIG. 2 is a top view thereof having variable length;
FIG. 3 is a side view thereof having variable length;
FIG. 4 is a bottom side view thereof having variable length;
and,
FIG. 5 is a end cap view thereof.

1 Claim, 2 Drawing Sheets



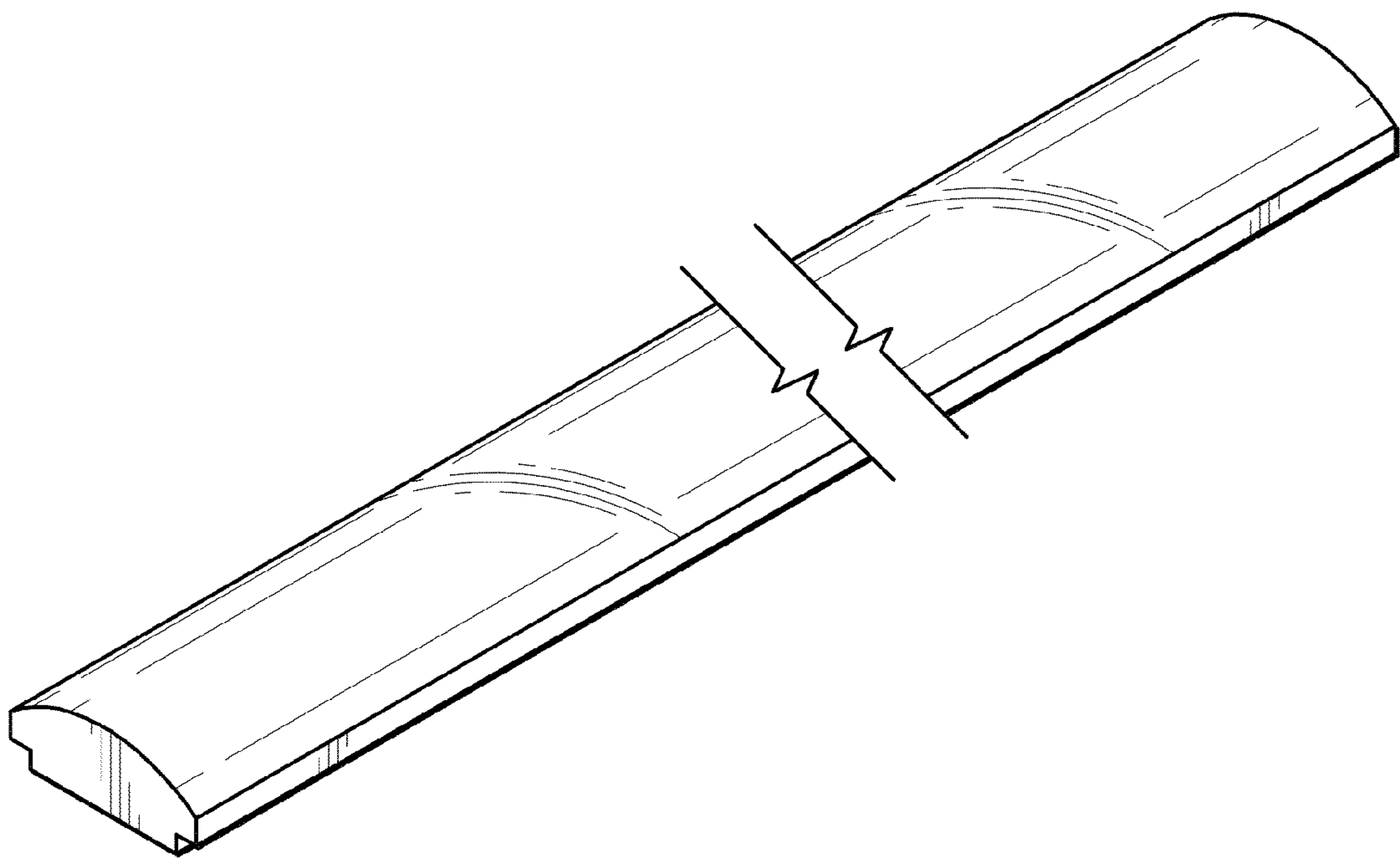


FIG. 1

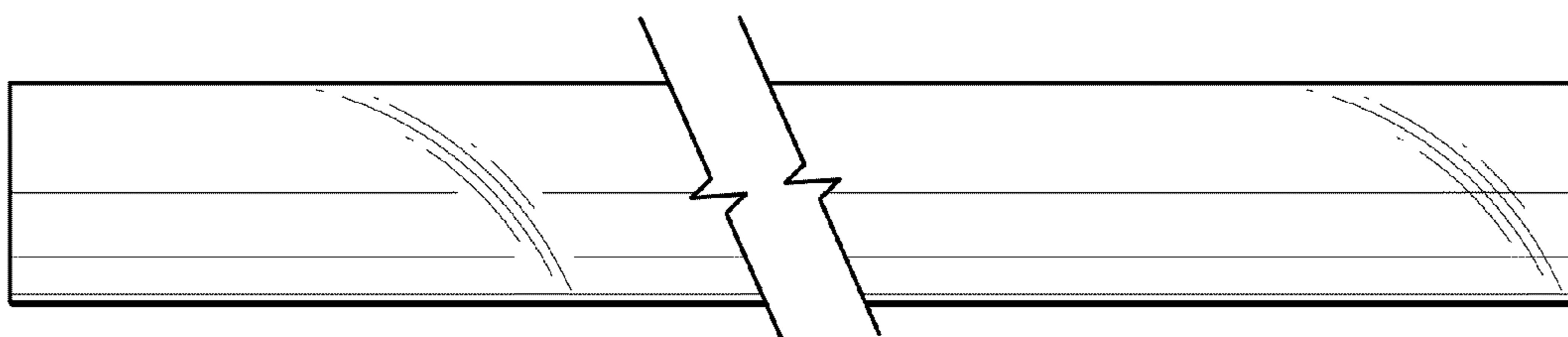


FIG. 2



FIG. 3

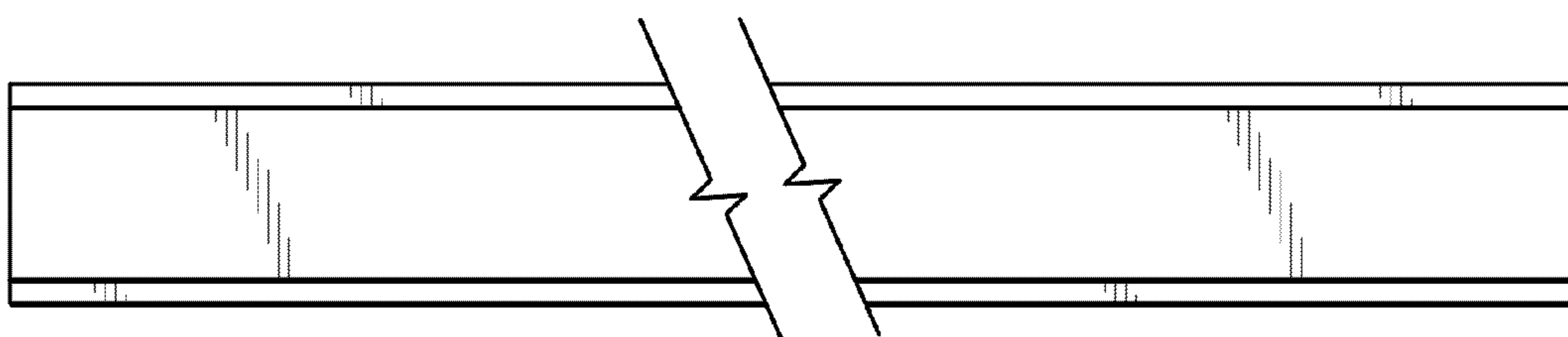


FIG. 4



FIG. 5