



US00D714473S

(12) **United States Design Patent**
Mornet et al.

(10) **Patent No.:** **US D714,473 S**

(45) **Date of Patent:** **** Sep. 30, 2014**

(54) **LIGHTING UNIT FOR A VEHICLE**

D641,505 S * 7/2011 Futschik et al. D26/28
D667,975 S * 9/2012 Evrard et al. D26/28

(75) Inventors: **Eric Mornet**, Nogent sur Marne (FR);
Pascal Garin, Saint-Denis Leferment
(FR); **Christophe Dubosc**, Villemomble
(FR)

* cited by examiner

Primary Examiner — Marcus Jackson

(74) *Attorney, Agent, or Firm* — Oblon, Spivak,
McClelland, Maier & Neustadt, L.L.P.

(73) Assignee: **Valeo Vision**, Bobigny (FR)

(**) Term: **14 Years**

(57) **CLAIM**

The ornamental design for a lighting unit for a vehicle, as
shown and described.

(21) Appl. No.: **29/428,981**

(22) Filed: **Aug. 6, 2012**

DESCRIPTION

(51) **LOC (10) Cl.** **26-06**

(52) **U.S. Cl.**
USPC **D26/28**

(58) **Field of Classification Search**
USPC D26/28-36; 362/459-468, 475-478,
362/485-487
See application file for complete search history.

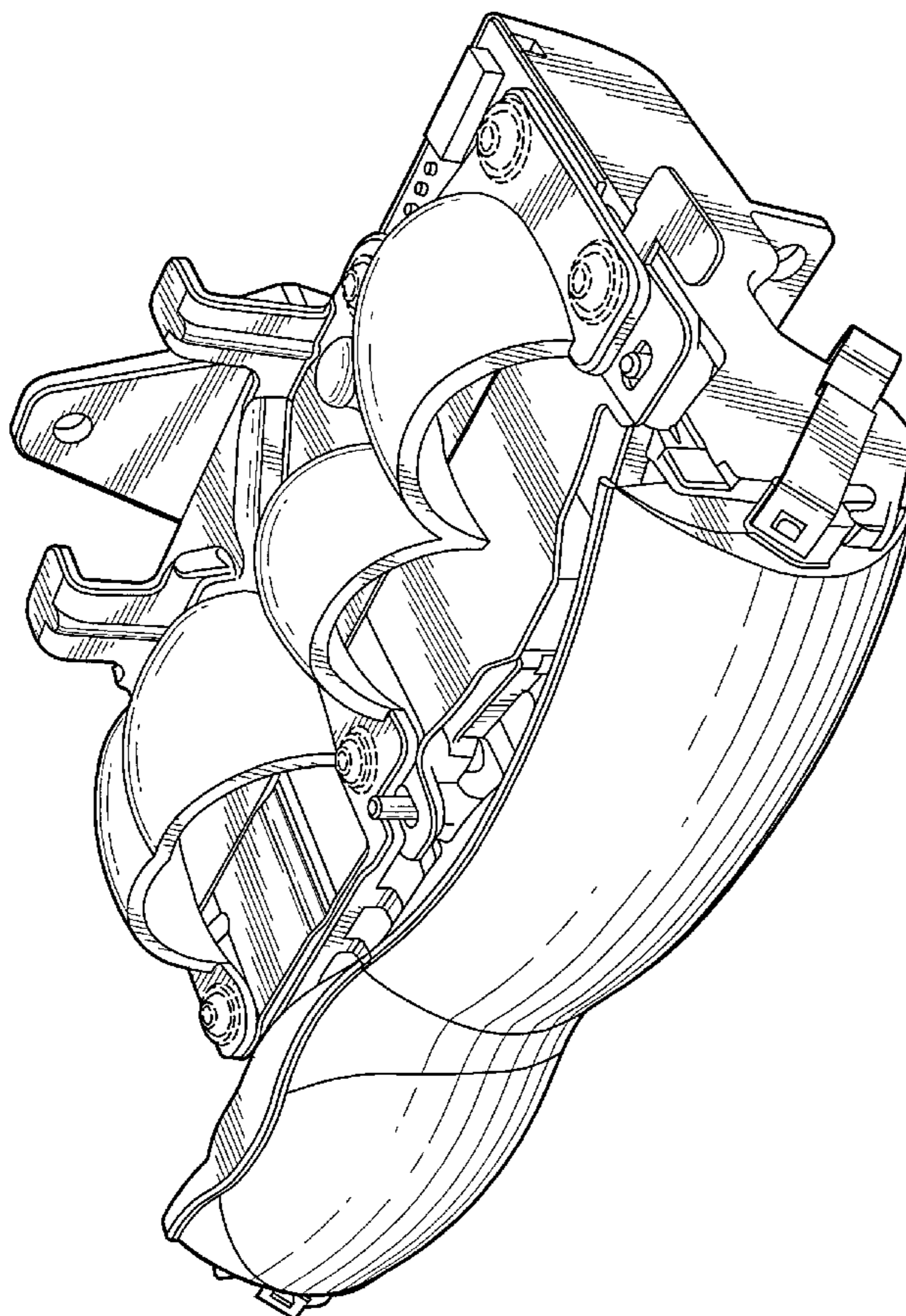
FIG. 1 is a front, top, and right side perspective view of a
lighting unit for a vehicle;
FIG. 2 is a front elevational view thereof;
FIG. 3 is a rear elevational view thereof;
FIG. 4 is a top plan view thereof;
FIG. 5 is a bottom plan view thereof;
FIG. 6 is a left side elevational view thereof; and,
FIG. 7 is a right side elevational view thereof.
The broken line showing of the screw holes are included for
the purpose of illustrating only and forms no part of the
claimed design.

(56) **References Cited**

U.S. PATENT DOCUMENTS

D623,782 S * 9/2010 Futschik et al. D26/28
D637,746 S * 5/2011 Kong et al. D26/28

1 Claim, 7 Drawing Sheets



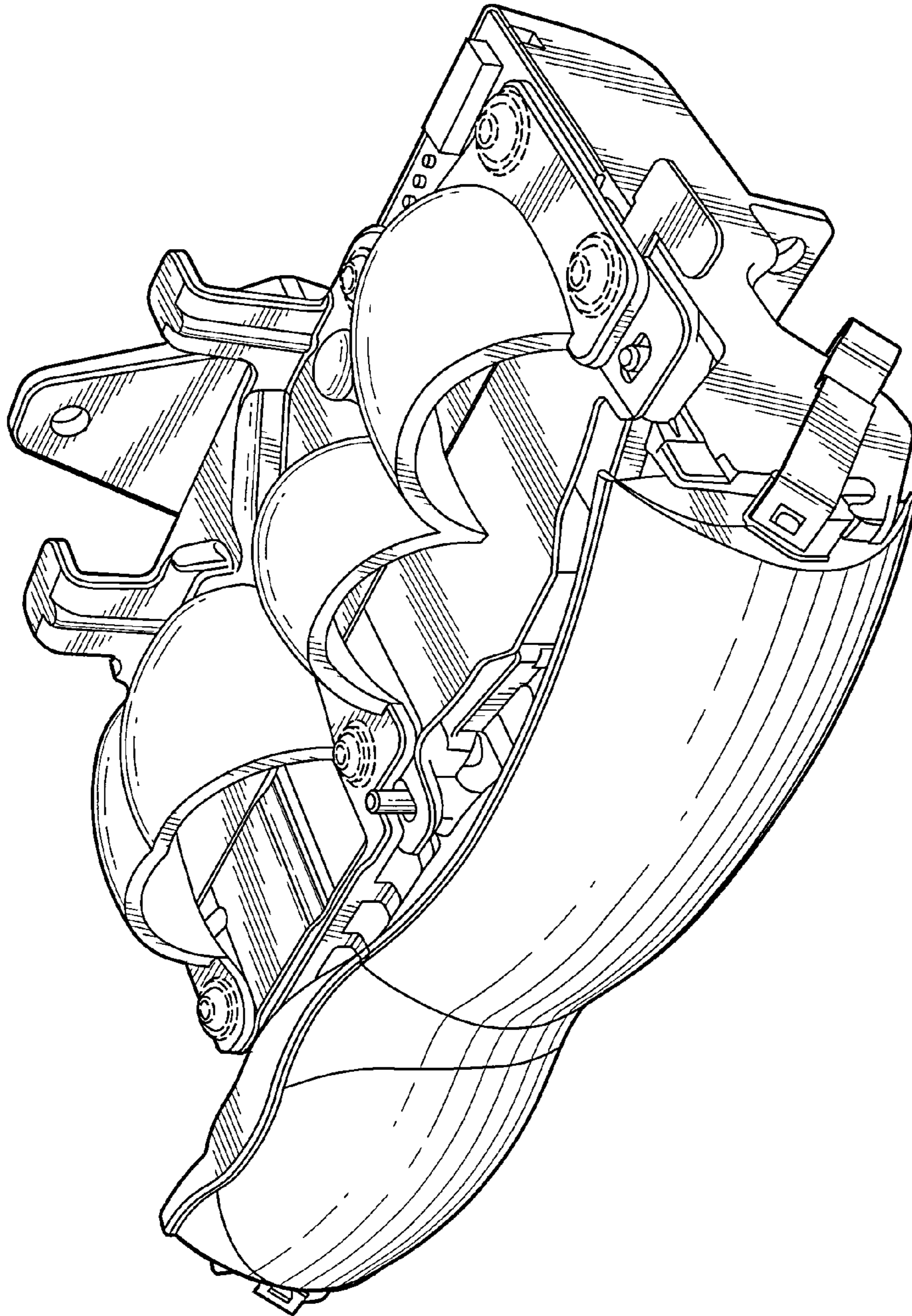


Fig. 1

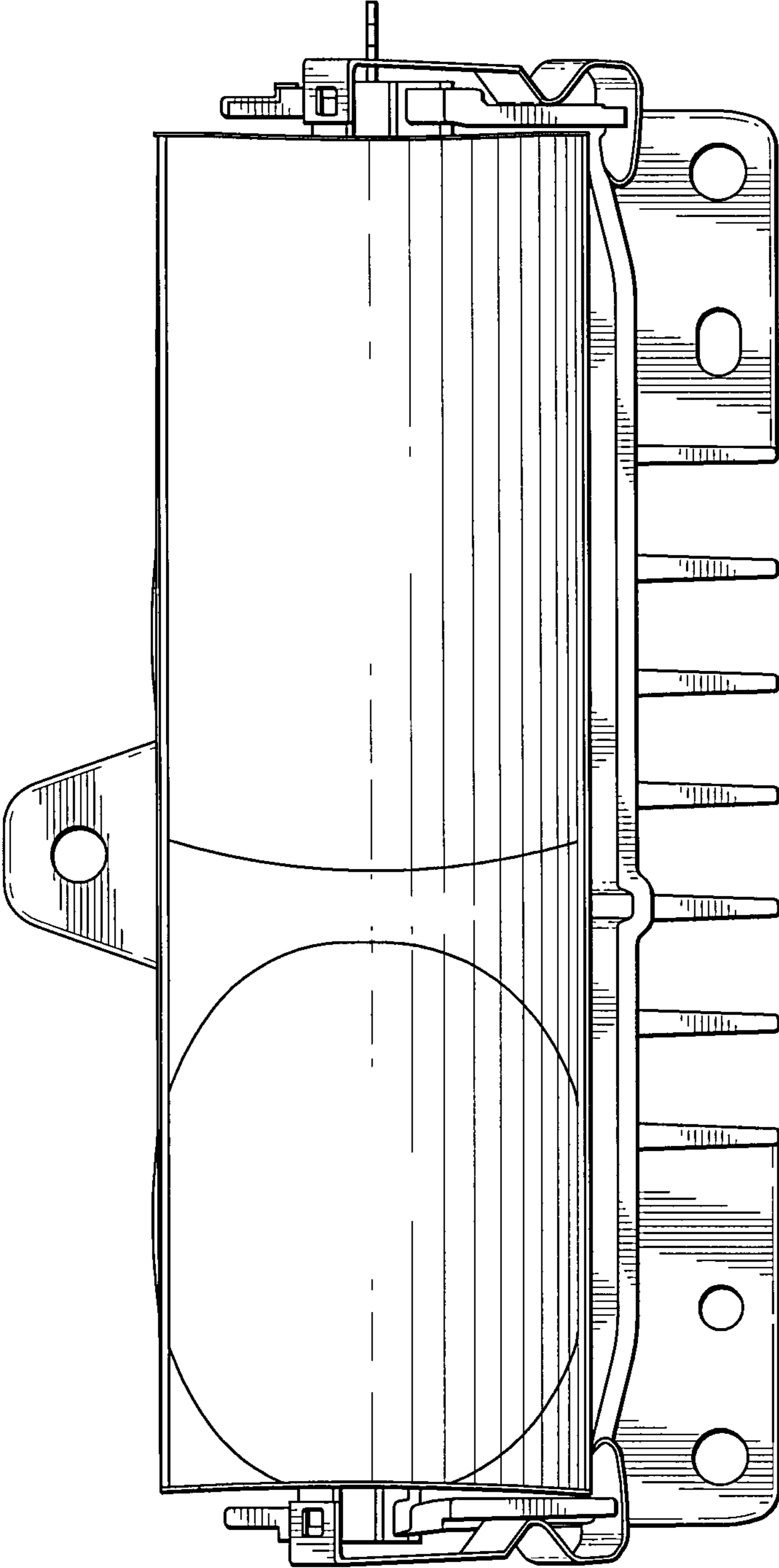


Fig. 2

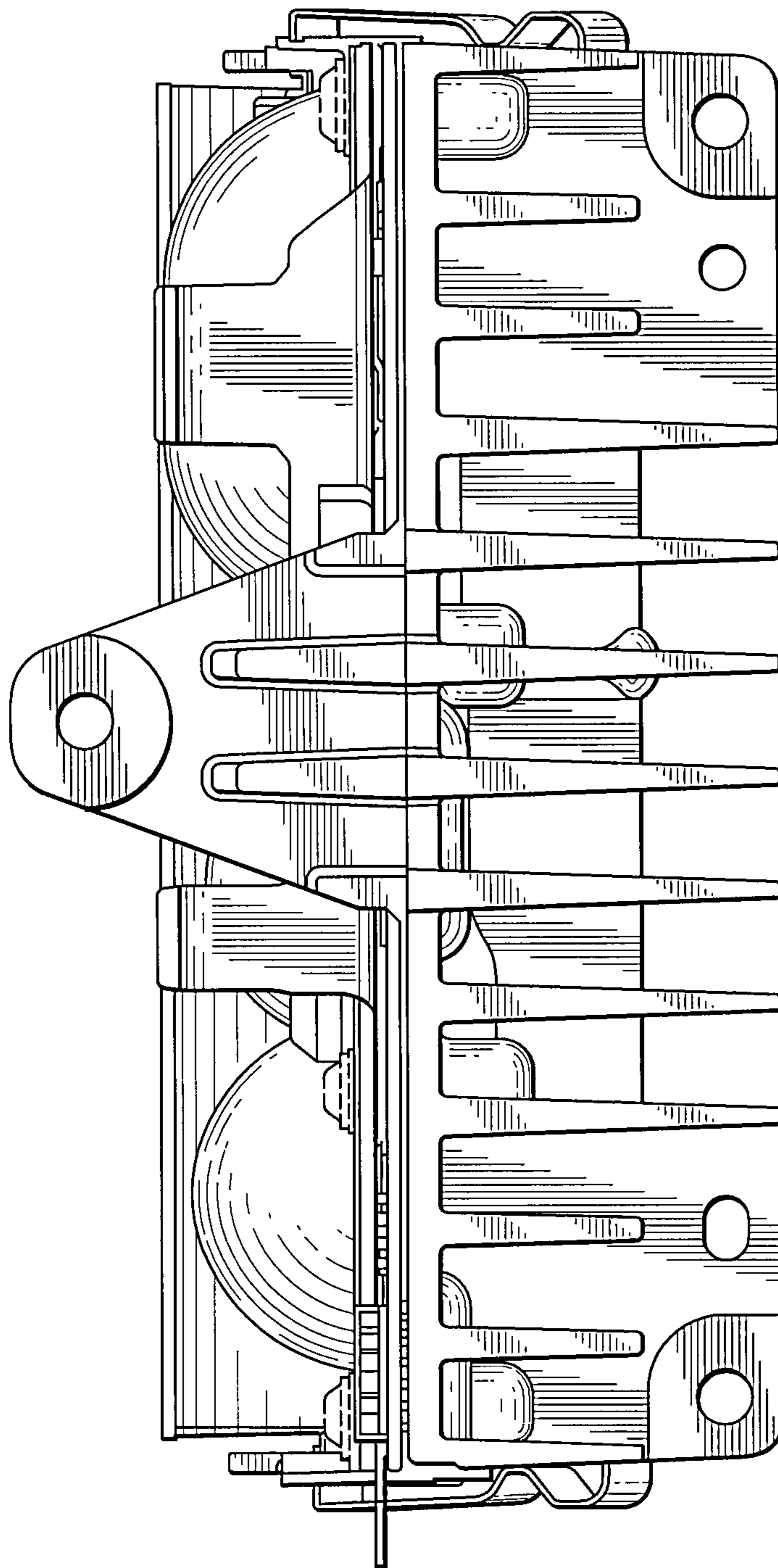


Fig. 3

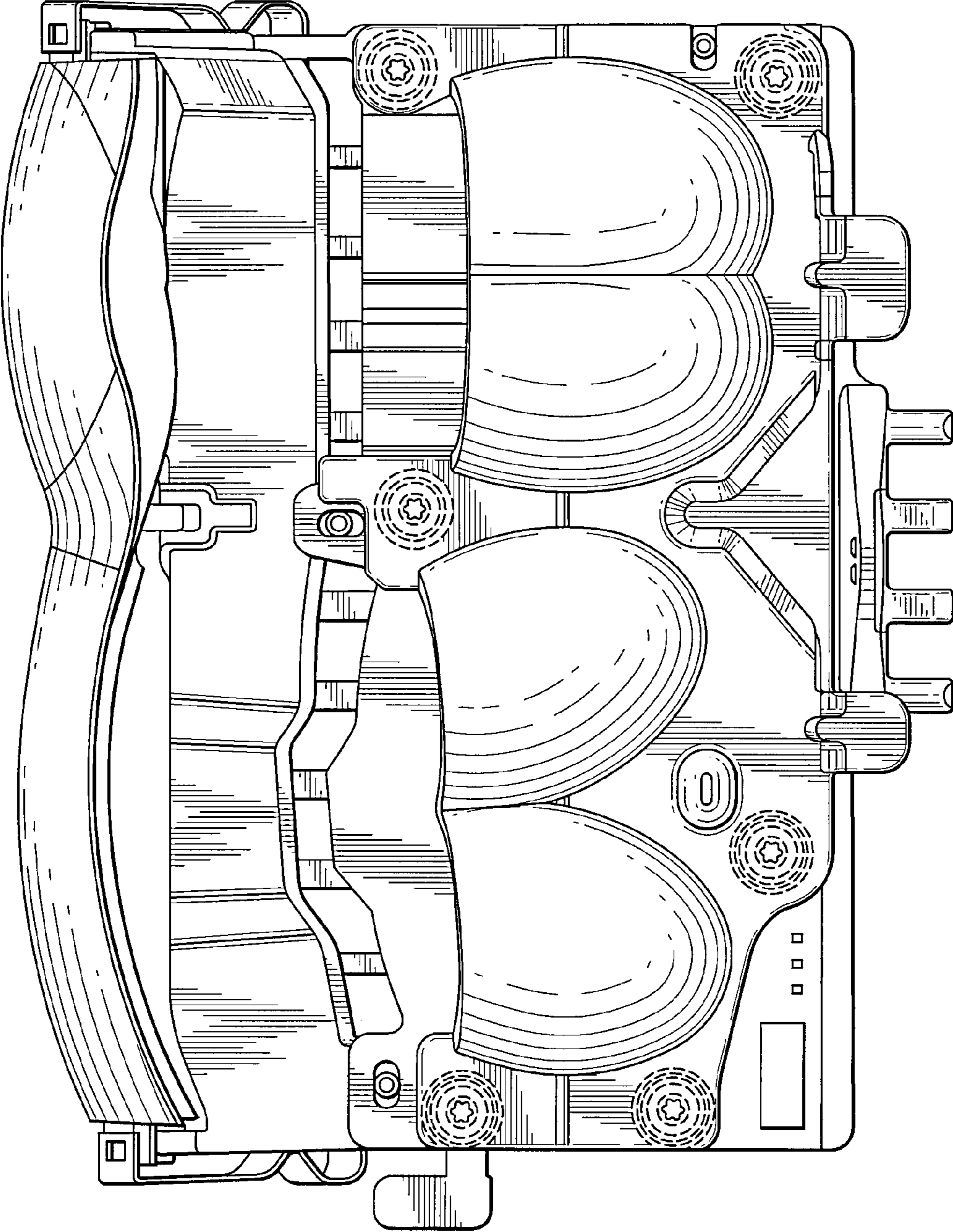


Fig. 4

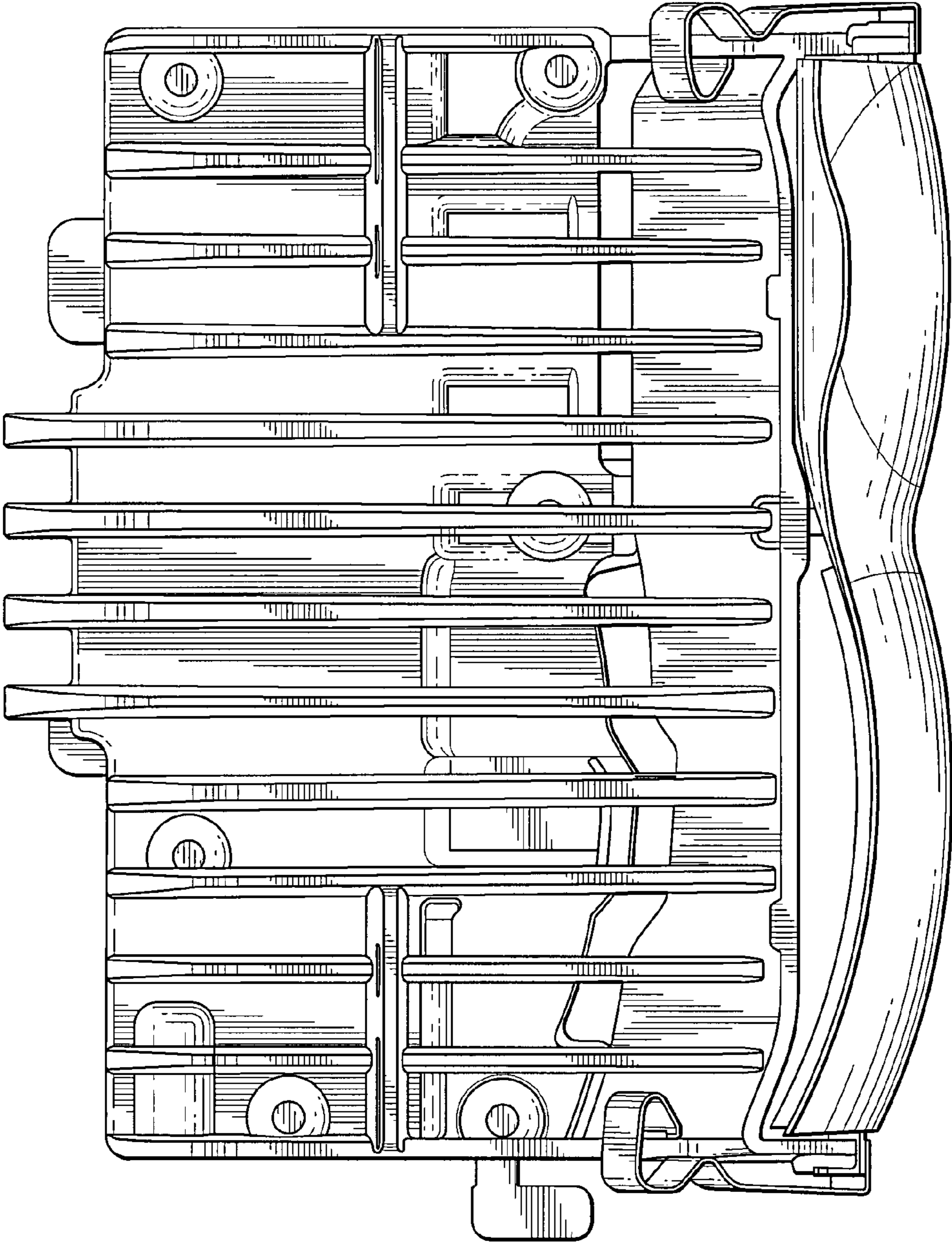


Fig. 5

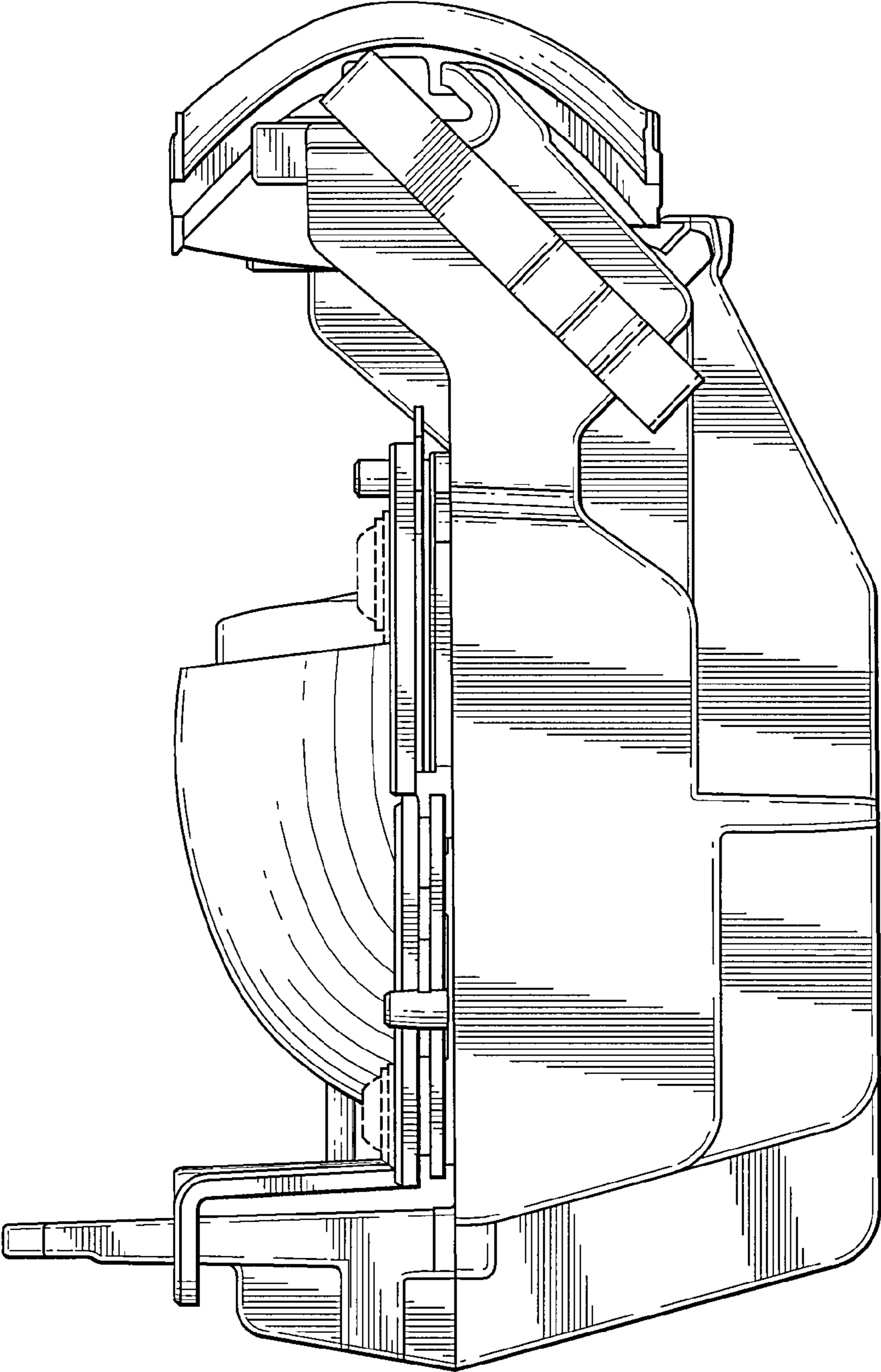


Fig. 6

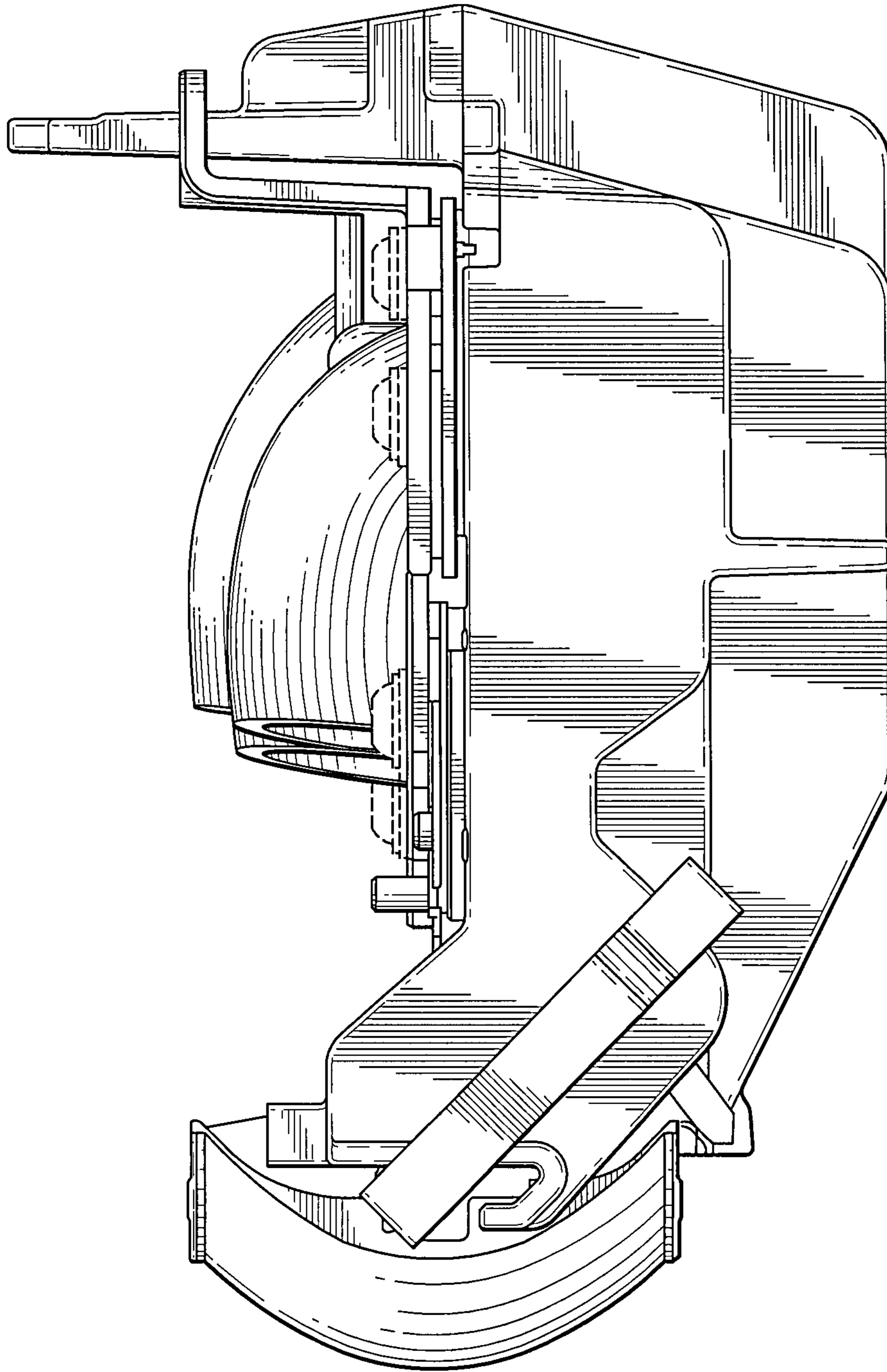


Fig. 7