



US00D714472S

(12) **United States Design Patent**
Yeh

(10) **Patent No.:** **US D714,472 S**

(45) **Date of Patent:** **** Sep. 30, 2014**

(54) **INDUCTION LAMP**

(71) Applicant: **John Yeh**, Chino Hills, CA (US)

(72) Inventor: **John Yeh**, Chino Hills, CA (US)

(**) Term: **14 Years**

(21) Appl. No.: **29/444,468**

(22) Filed: **Jan. 30, 2013**

(51) **LOC (10) Cl.** **26-04**

(52) **U.S. Cl.**
USPC **D26/3**

(58) **Field of Classification Search**
USPC D26/1-4; 313/313, 315, 316, 317, 318,
313/493; 315/52, 53, 56, 57, 58

See application file for complete search history.

(56) **References Cited**

U.S. PATENT DOCUMENTS

D562,471 S *	2/2008	He	D26/3
D577,132 S *	9/2008	Itaya et al.	D26/3
D593,225 S *	5/2009	He	D26/3
D597,227 S *	7/2009	Kim et al.	D26/3
D657,078 S *	4/2012	Sinai et al.	D26/3

* cited by examiner

Primary Examiner — Marcus Jackson

(74) *Attorney, Agent, or Firm* — Denis Khoo

(57) **CLAIM**

The ornamental design for an induction lamp, as shown.

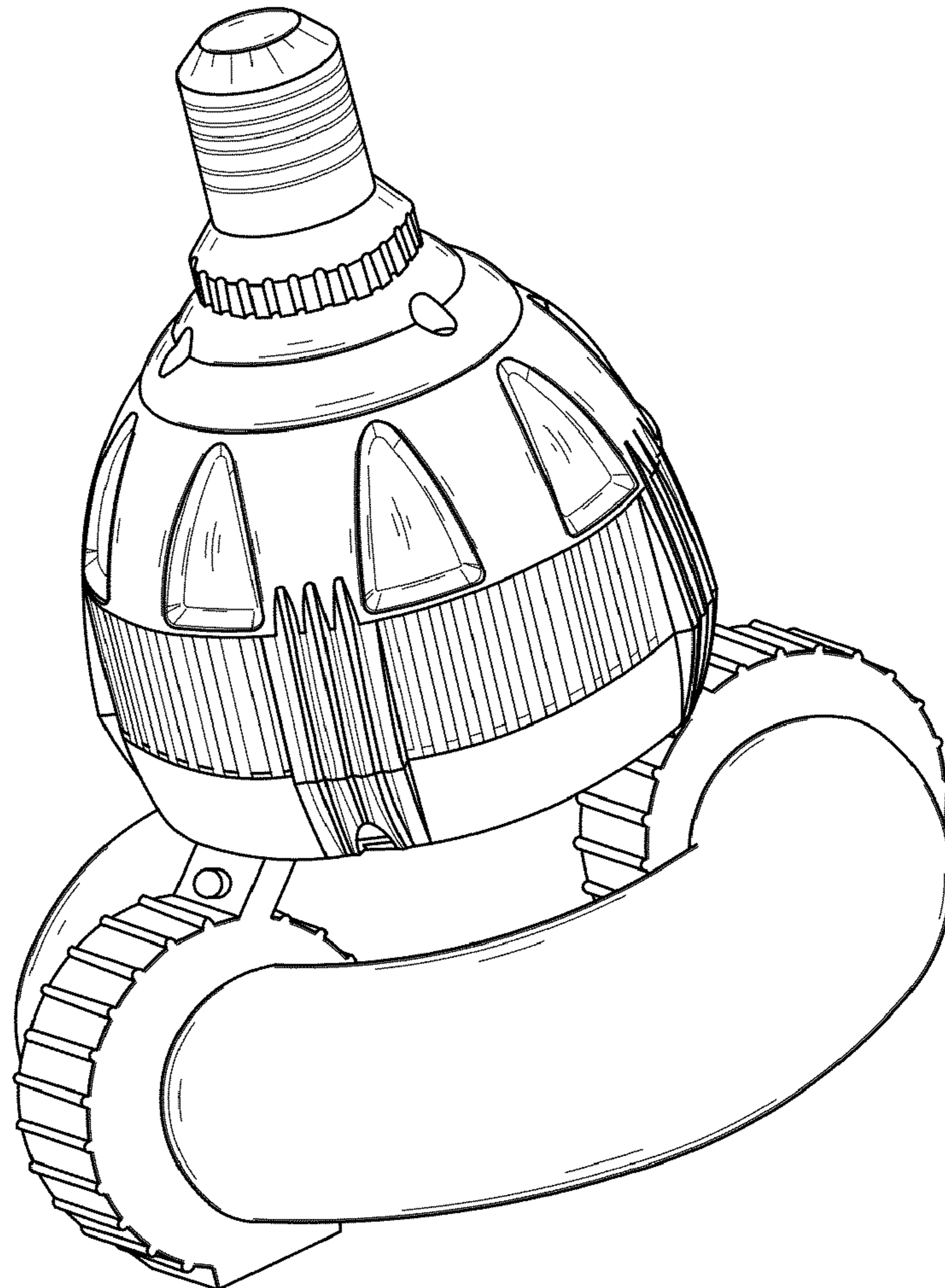
DESCRIPTION

FIG. 1 is a perspective view of an induction lamp showing my new design.

FIG. 2 is a side view thereof; and,

FIG. 3 is a top view thereof.

1 Claim, 3 Drawing Sheets



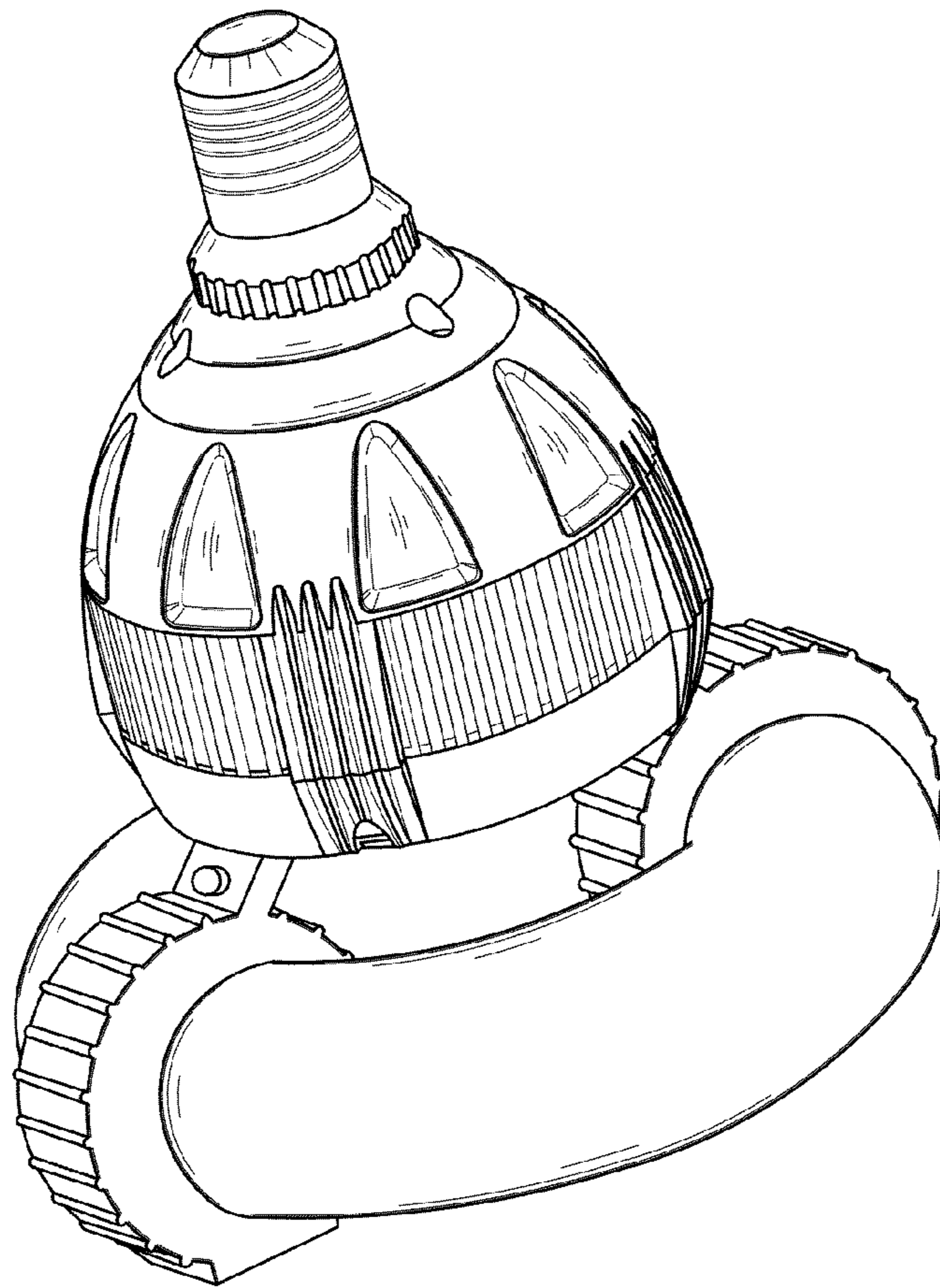


FIG. 1

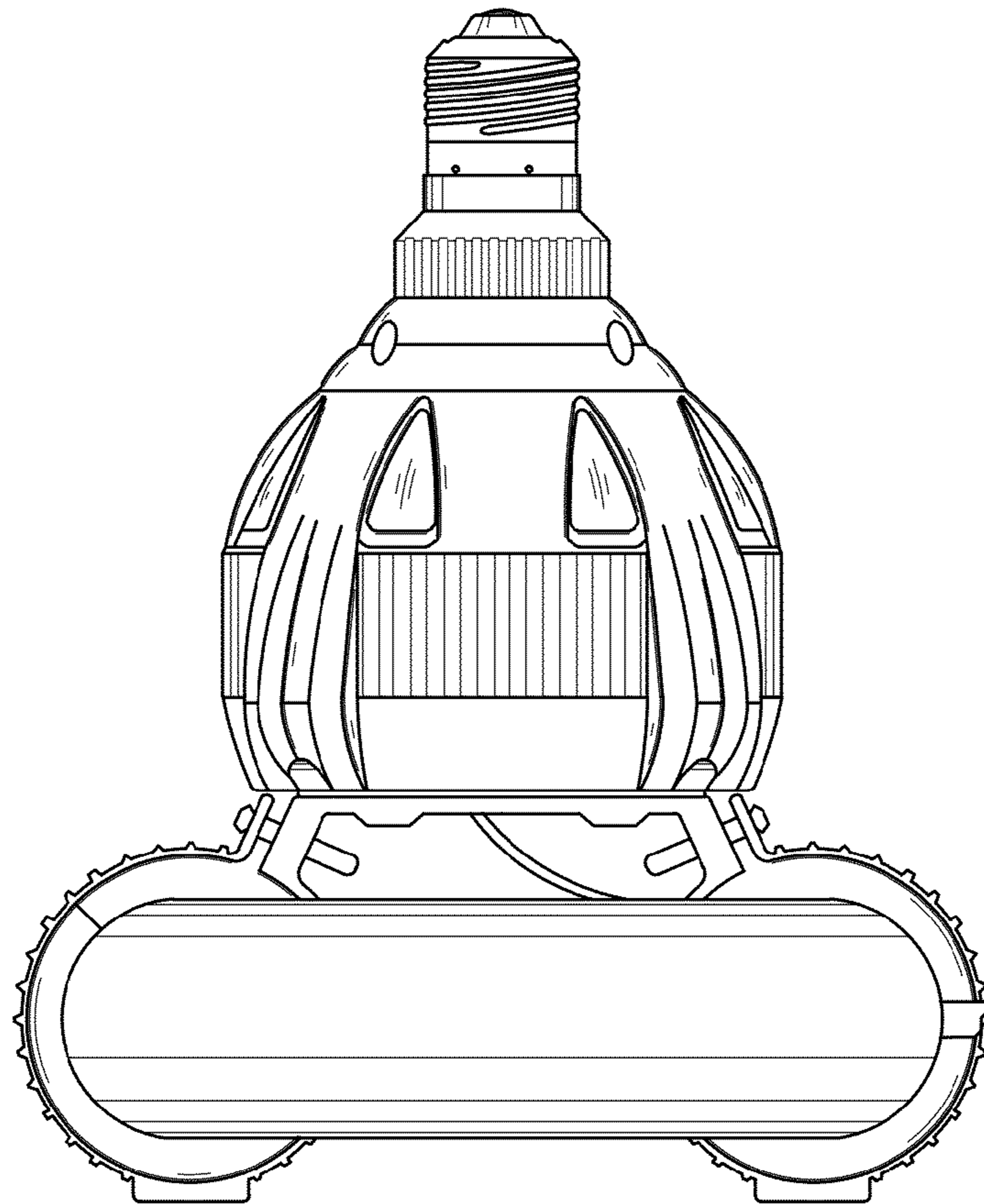


FIG. 2

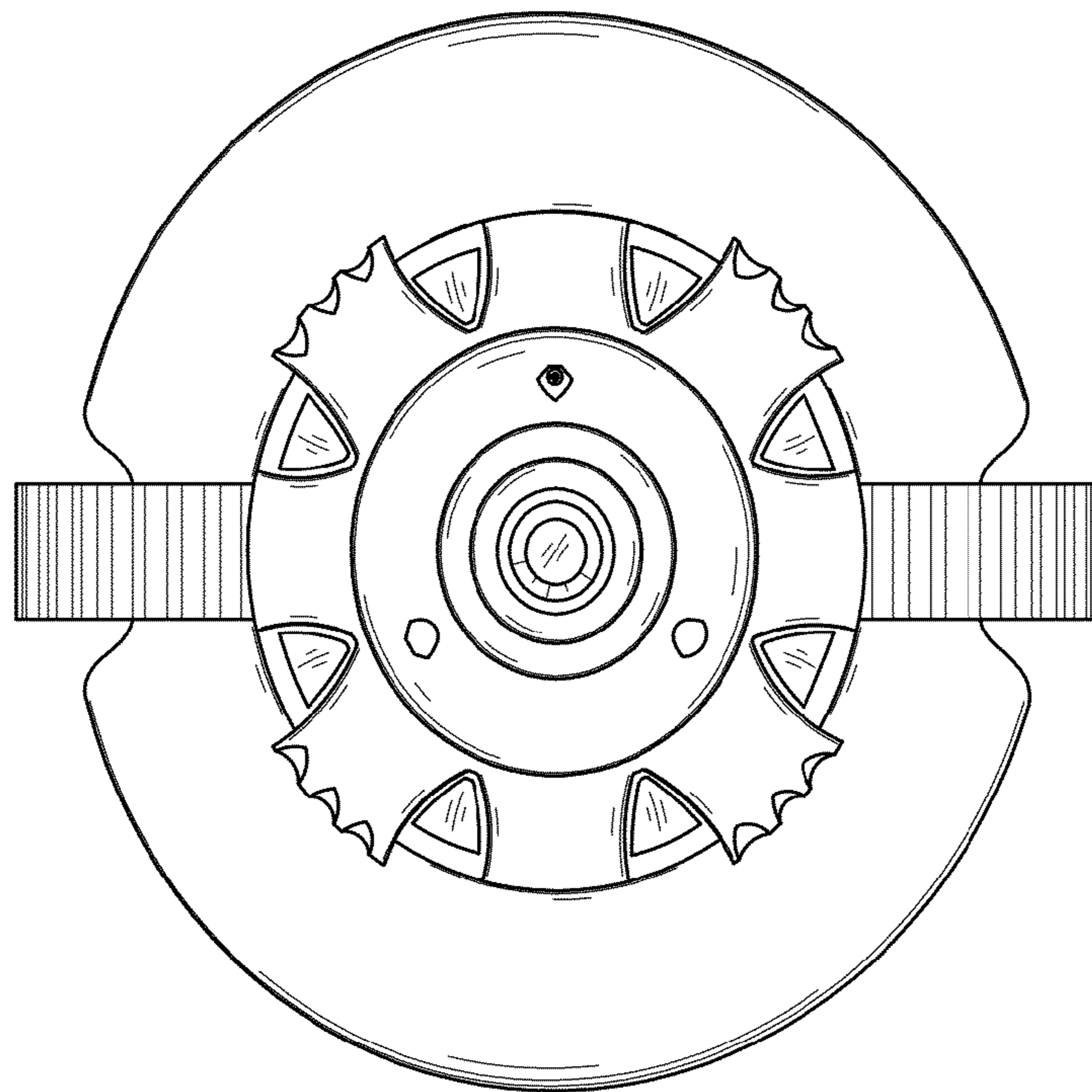


FIG. 3