



US00D714471S

(12) **United States Design Patent**
Nojiri

(10) **Patent No.:** **US D714,471 S**

(45) **Date of Patent:** **** Sep. 30, 2014**

(54) **LIGHT-EMITTING DIODE LAMP**

(71) Applicant: **Panasonic Corporation**, Osaka (JP)

(72) Inventor: **Kayo Nojiri**, Osaka (JP)

(73) Assignee: **Panasonic Corporation**, Osaka (JP)

(**) Term: **14 Years**

(21) Appl. No.: **29/461,039**

(22) Filed: **Jul. 18, 2013**

(30) **Foreign Application Priority Data**

Jan. 23, 2013 (JP) 2013-001079

(51) **LOC (10) Cl.** **26-04**

(52) **U.S. Cl.**
USPC **D26/2**

(58) **Field of Classification Search**
USPC D26/1-4; 313/313, 315, 316, 317, 318,
313/493; 315/52, 53, 56, 57, 58

See application file for complete search history.

(56) **References Cited**

U.S. PATENT DOCUMENTS

| | | | | | | |
|----------|---|---|---------|-----------------|-------|-------|
| D625,030 | S | * | 10/2010 | Yamamoto et al. | | D26/2 |
| D627,492 | S | * | 11/2010 | Yamamoto et al. | | D26/2 |
| D628,317 | S | * | 11/2010 | Yamamoto et al. | | D26/2 |
| D628,722 | S | * | 12/2010 | Yamamoto et al. | | D26/2 |
| D631,573 | S | * | 1/2011 | Yamamoto et al. | | D26/2 |
| D662,621 | S | | 6/2012 | Yamamoto et al. | | |
| D662,622 | S | | 6/2012 | Yamamoto et al. | | |
| D662,623 | S | | 6/2012 | Yamamoto et al. | | |

* cited by examiner

Primary Examiner — Marcus Jackson

(74) *Attorney, Agent, or Firm* — Panasonic Patent Center

(57) **CLAIM**

I claim the ornamental design for a light-emitting diode lamp, as shown and described.

DESCRIPTION

FIG. 1 is a top perspective view of a light-emitting diode lamp of the present invention;
FIG. 2 is a top view thereof;
FIG. 3 is a bottom view thereof;
FIG. 4 is a front view thereof;
FIG. 5 is a rear view thereof;
FIG. 6 is a first side view thereof; and,
FIG. 7 is a second side view thereof.

1 Claim, 7 Drawing Sheets

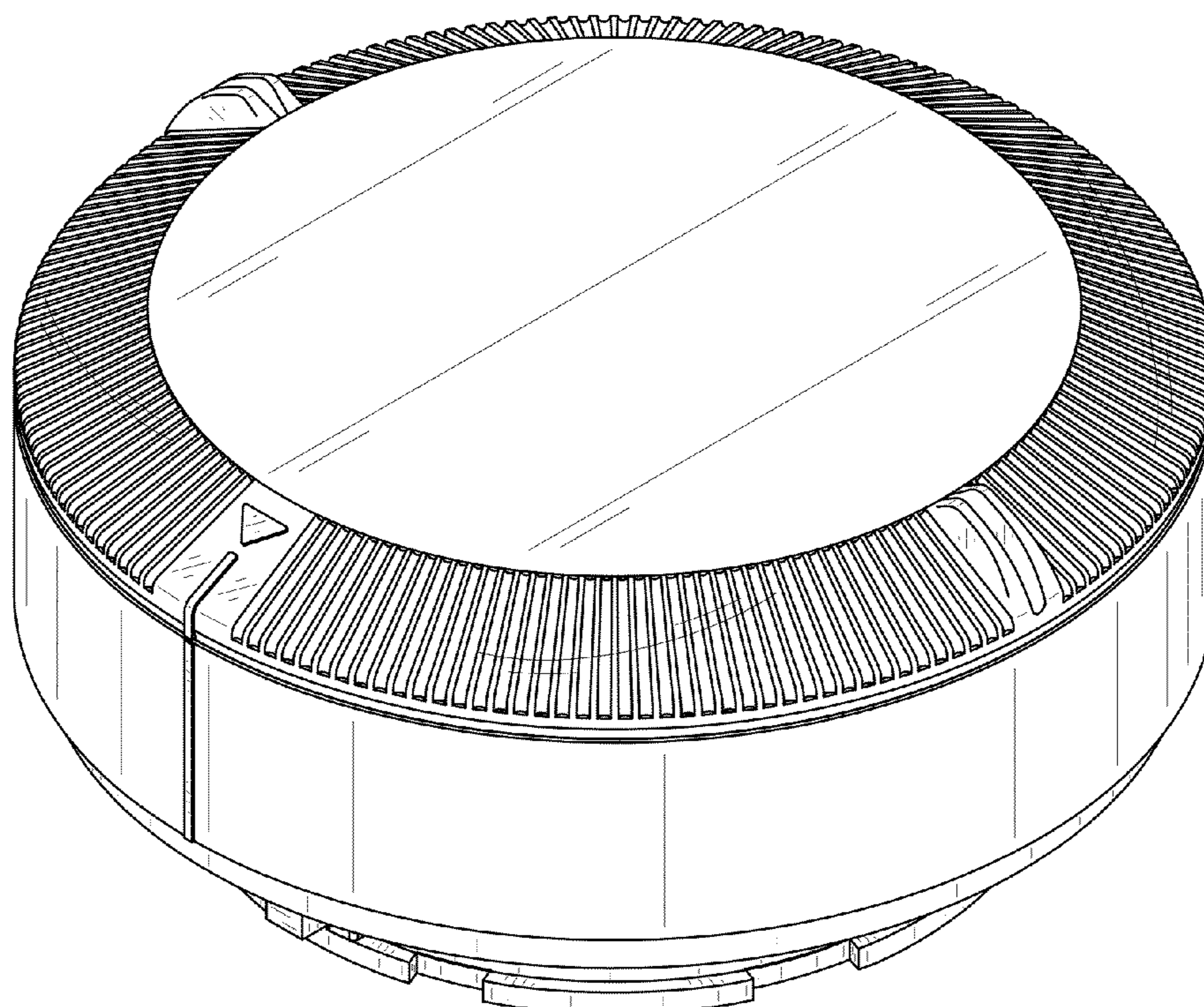


FIG. 1

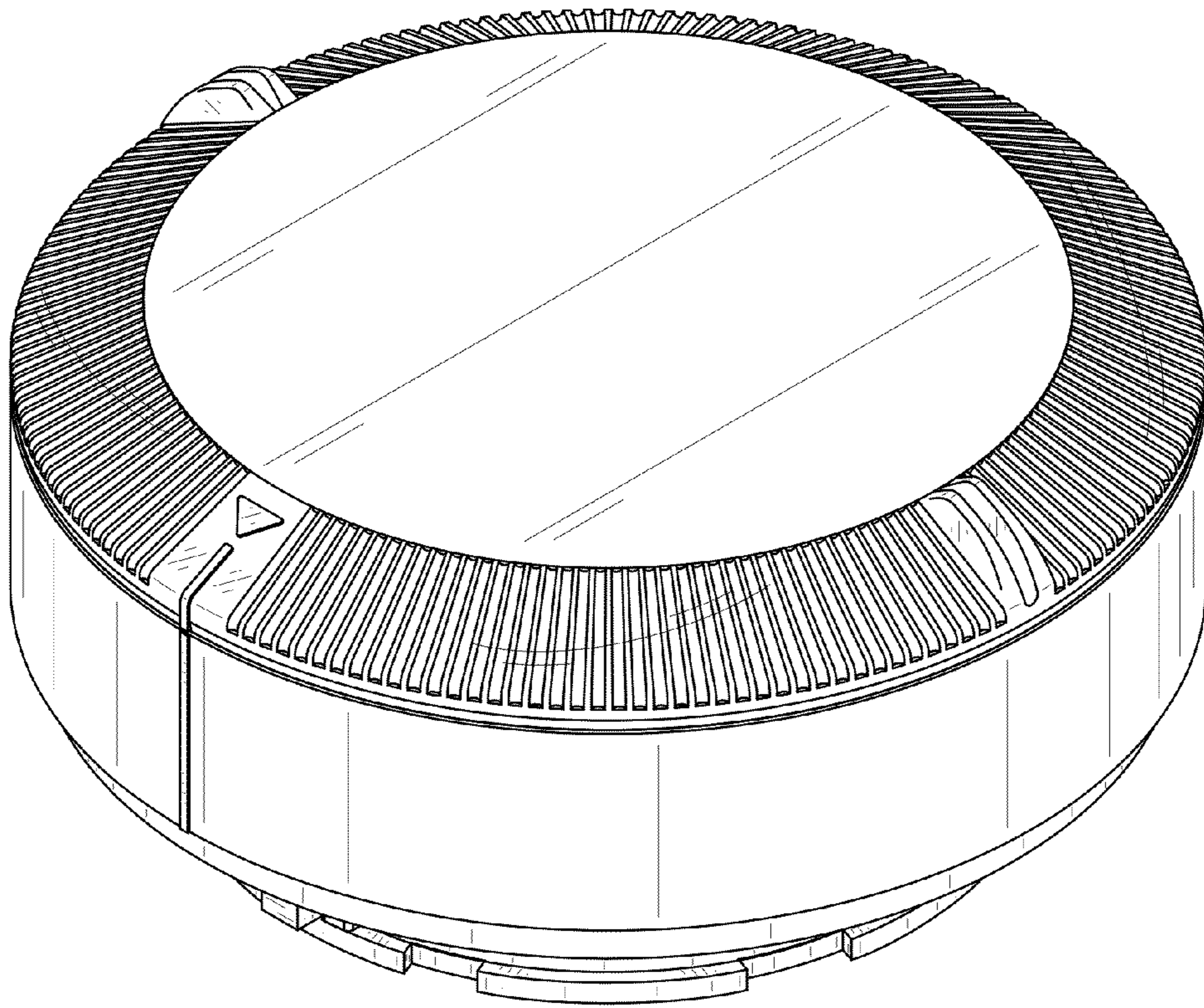


FIG. 2

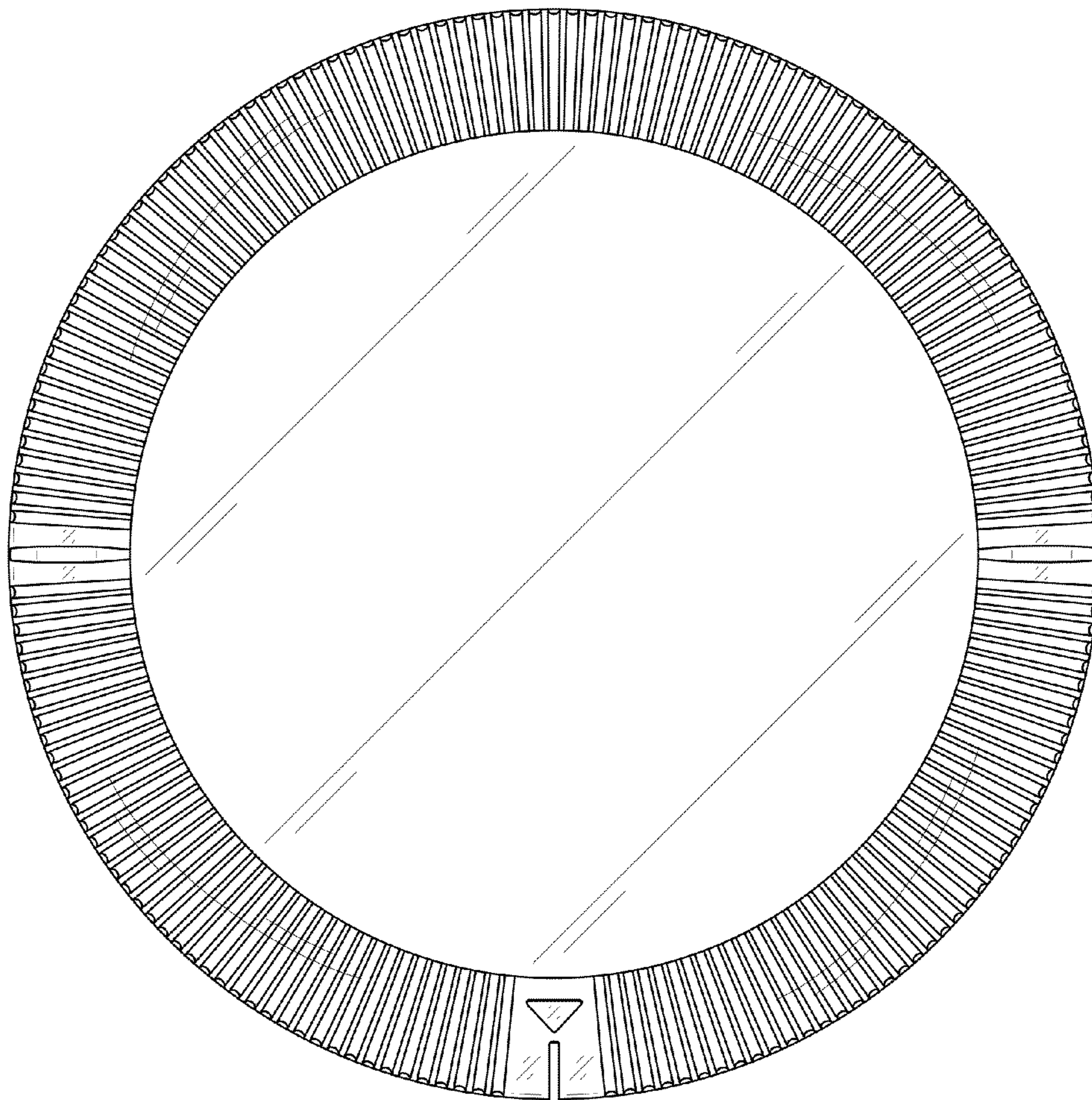


FIG. 3

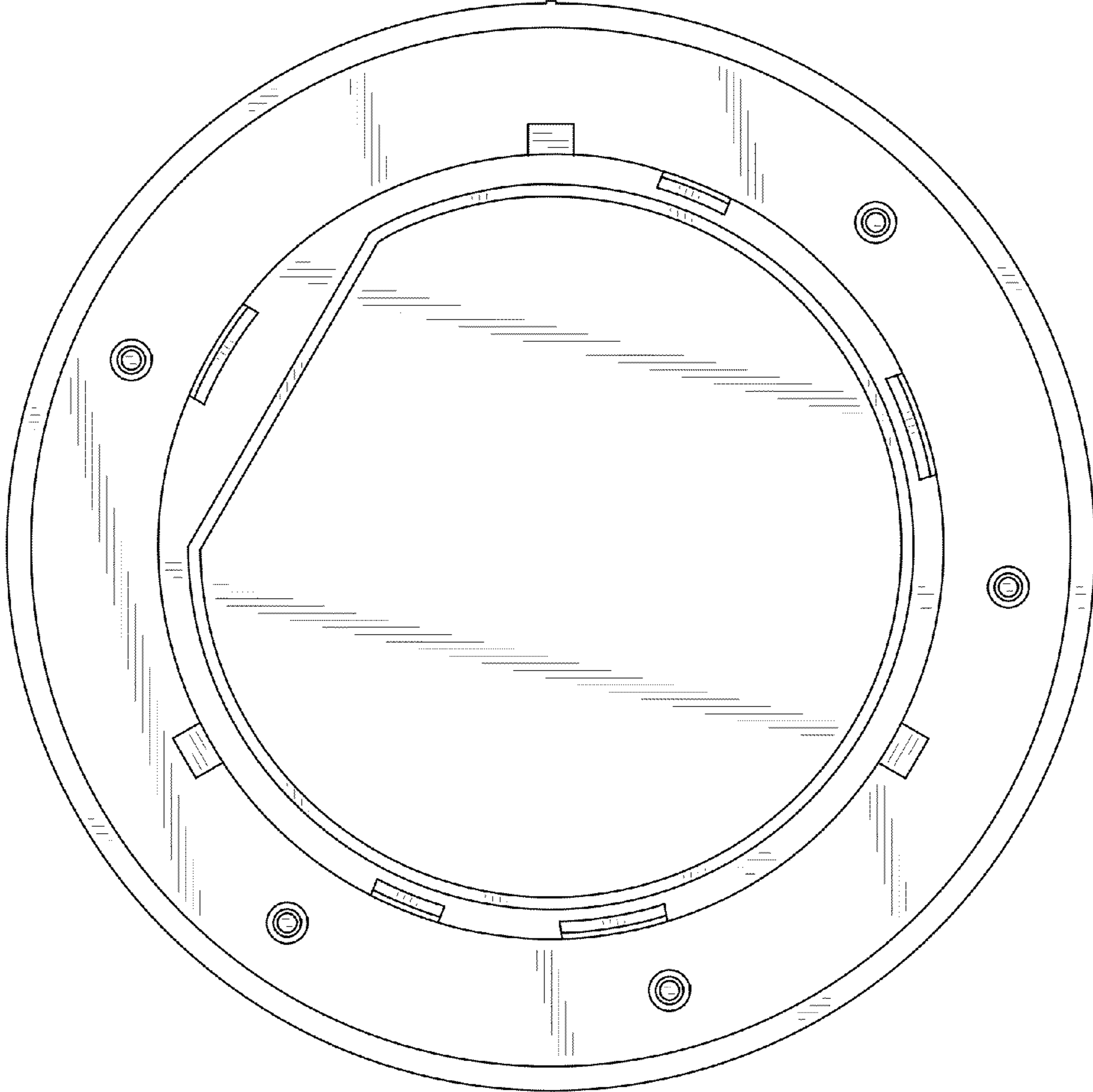


FIG. 4

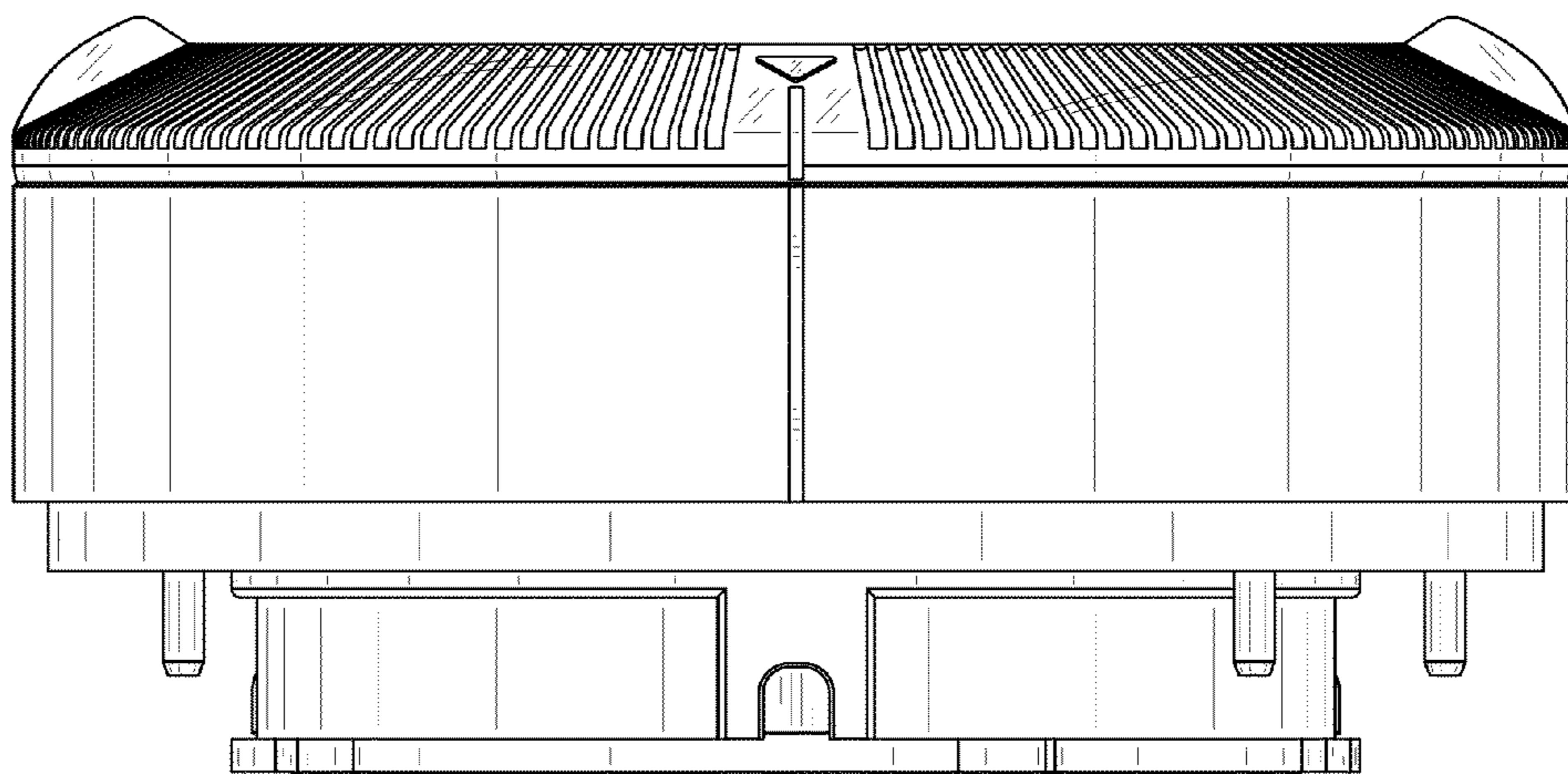


FIG. 5

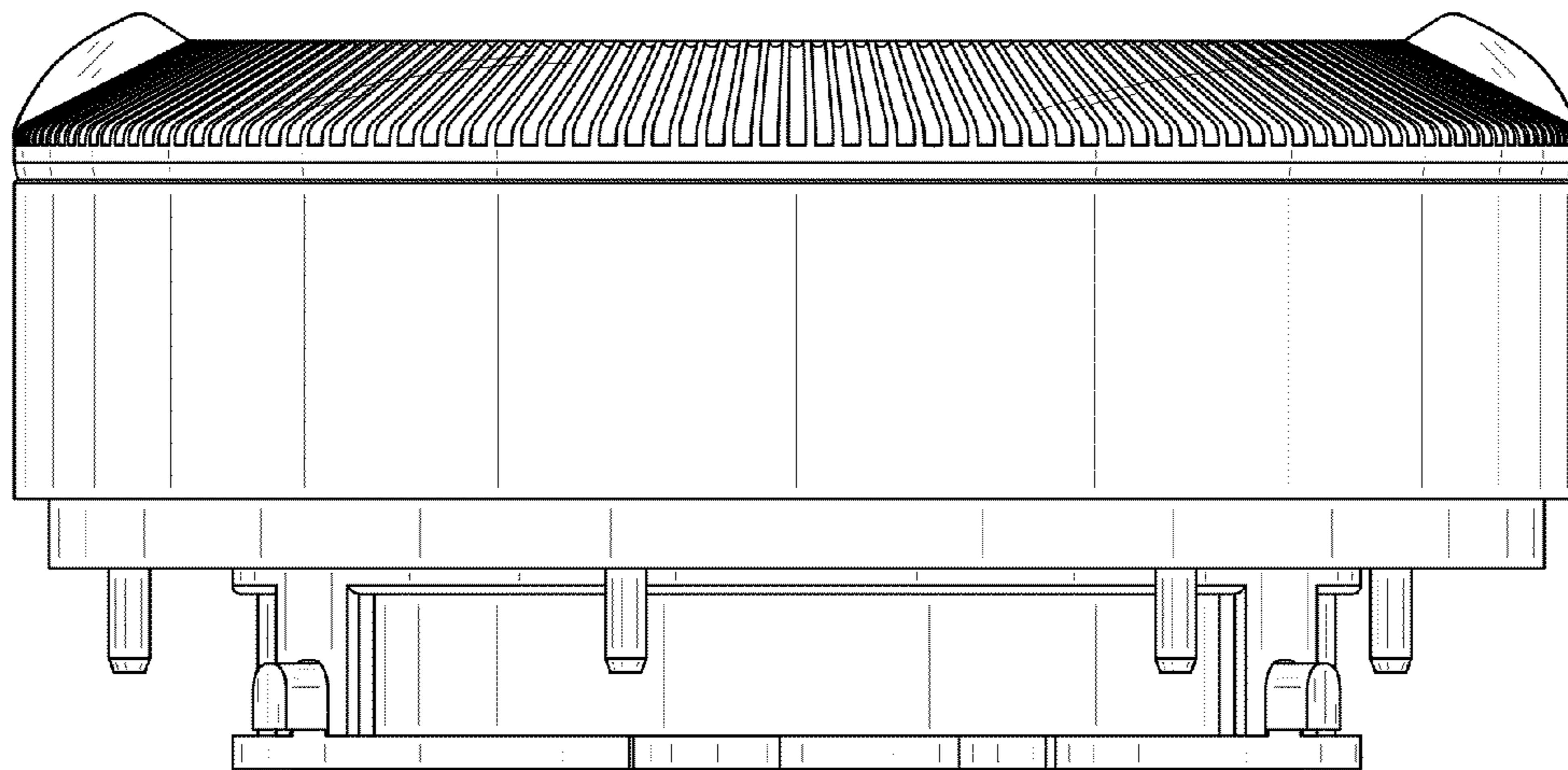


FIG. 6

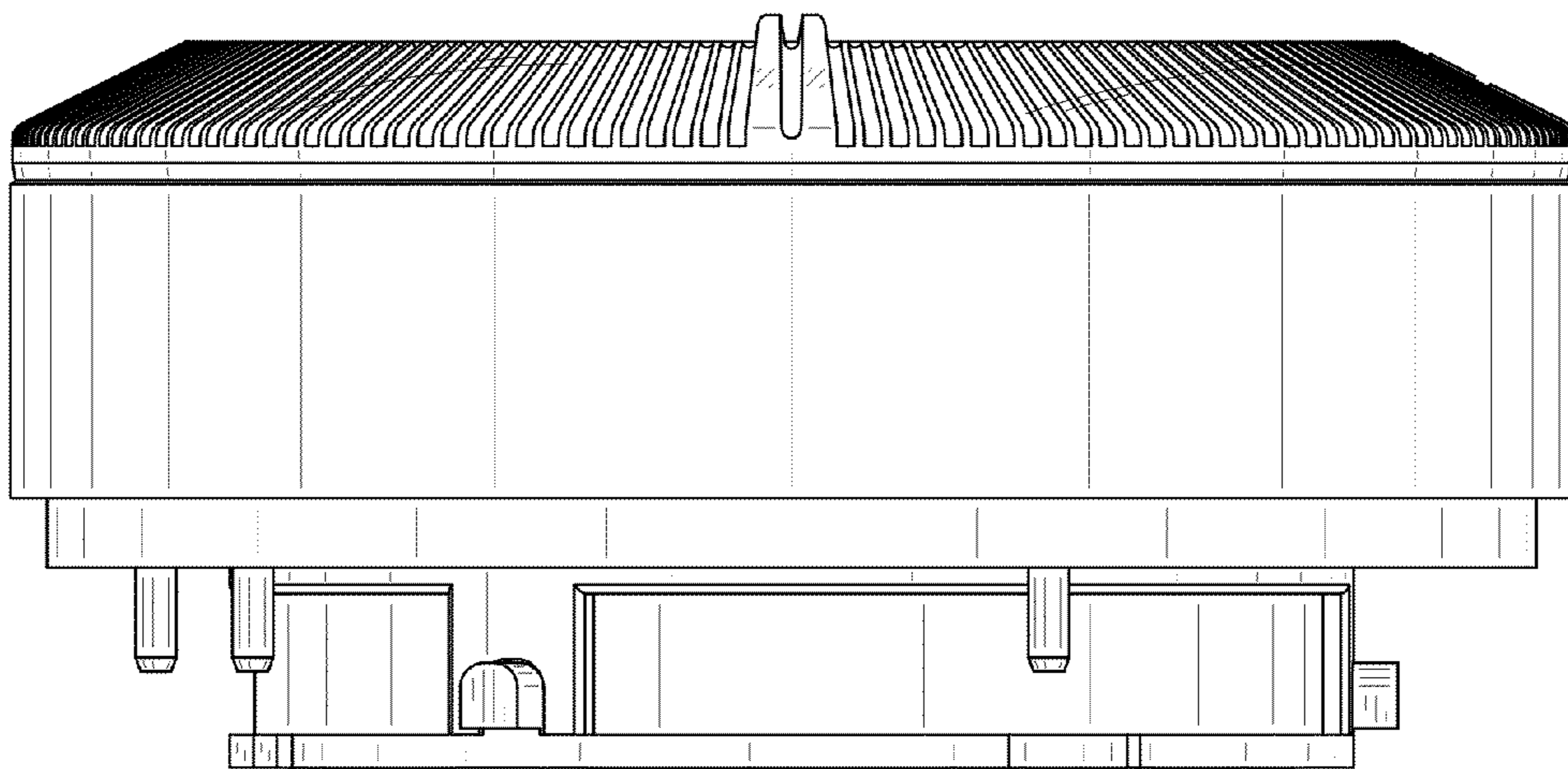


FIG. 7

