



US00D714470S

(12) **United States Design Patent**
Møller et al.

(10) **Patent No.:** **US D714,470 S**

(45) **Date of Patent:** **** Sep. 30, 2014**

(54) **ACCESSORY ELEMENT FOR WINDOW SYSTEM**

FOREIGN PATENT DOCUMENTS

(71) Applicant: **VKR Holding A/S**, Hørsholm (DK)

GB 940352 10/1963
GB 2386636 9/2003

(72) Inventors: **Brent Møller**, Gentofte (DK); **Claes Lindgren**, Farum (DK)

* cited by examiner

(73) Assignee: **VKR Holding A/S** (DK)

Primary Examiner — Doris Clark

(**) Term: **14 Years**

(74) *Attorney, Agent, or Firm* — Merek, Blackmon & Voorhees, LLC

(21) Appl. No.: **29/440,683**

(57) **CLAIM**

(22) Filed: **Dec. 26, 2012**

We claim the ornamental design for an accessory element for window system, as shown and described.

(30) **Foreign Application Priority Data**

DESCRIPTION

Jun. 29, 2012 (DK) 2012 00101 U

(51) **LOC (10) Cl.** **25-01**

(52) **U.S. Cl.**
USPC **D25/136**

(58) **Field of Classification Search**
USPC D25/133, 134, 126, 136, 135; 52/200,
52/60, 235
See application file for complete search history.

FIG. 1 is a perspective view taken from the front, bottom and right side of an accessory element for window system, showing the design, on the underside of a window system;

FIG. 2 is a perspective view taken from the front, top and right side of the accessory element for window system of FIG. 1; and,

FIG. 3 is a bottom plan view of the accessory element for window system of FIG. 1.

The left side of the accessory element for window system of FIG. 1 is a mirror image of the right side, and the rear of the accessory element for window system of FIG. 1 is a mirror image of the front.

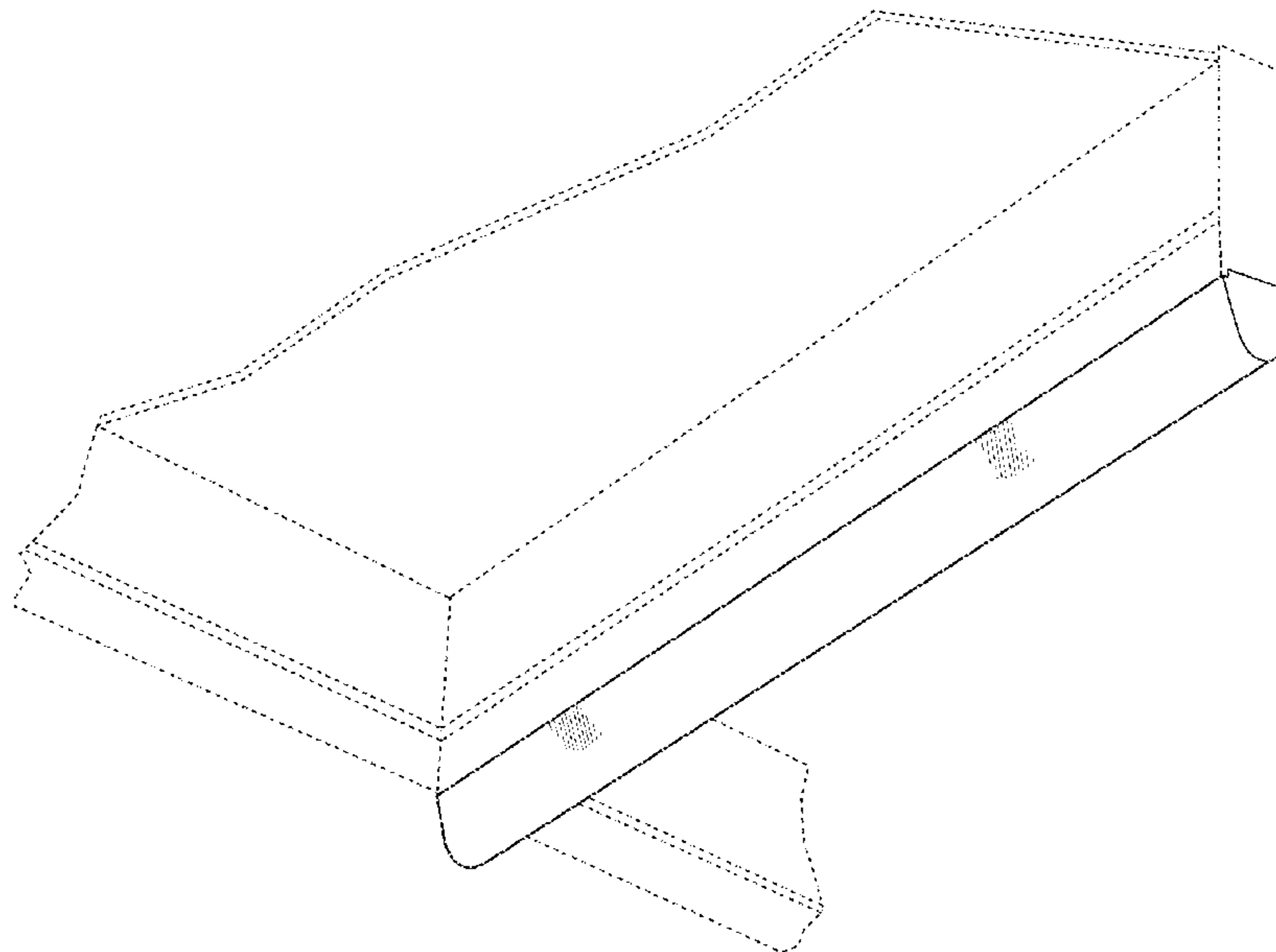
The broken lines of the drawings disclose environmental structure that forms no part of the claimed design.

(56) **References Cited**

U.S. PATENT DOCUMENTS

5,094,040 A * 3/1992 Bunka 52/14
6,006,489 A * 12/1999 Zadok 52/773
7,546,708 B2 * 6/2009 Konstantin 52/200
D656,251 S * 3/2012 Underkofler et al. D25/164
8,151,533 B2 * 4/2012 Krieger 52/489.1

1 Claim, 2 Drawing Sheets



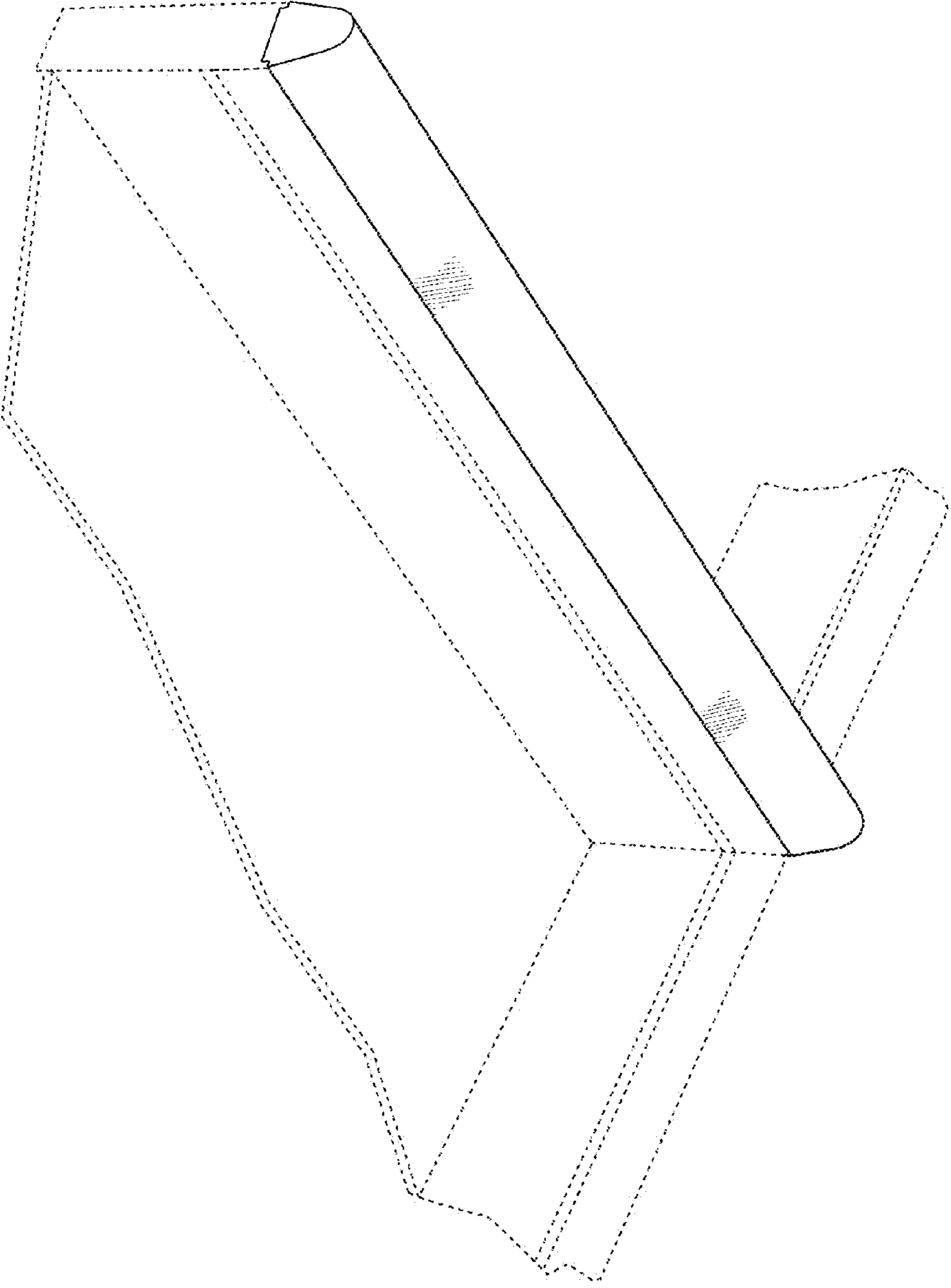


Fig. 1

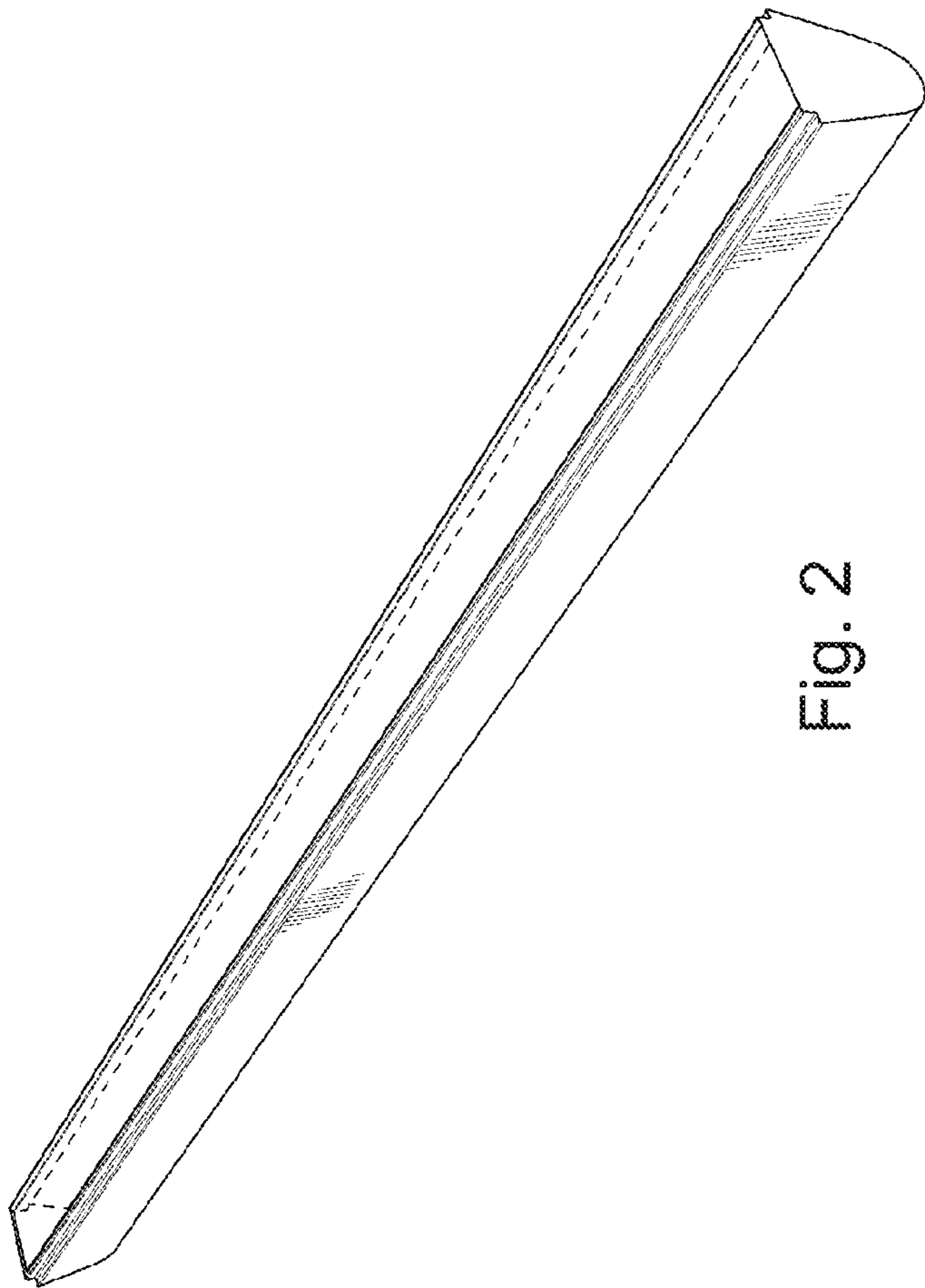


Fig. 2

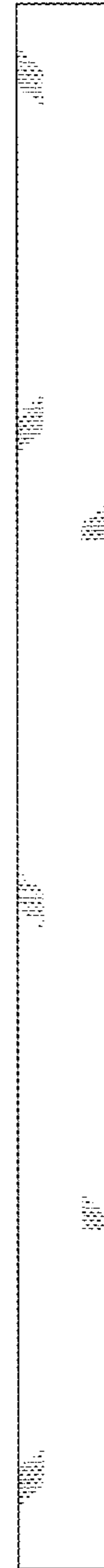


Fig. 3