



US00D714469S

(12) **United States Design Patent**
Sferco

(10) **Patent No.:** **US D714,469 S**

(45) **Date of Patent:** **** Sep. 30, 2014**

(54) **BALUSTRADE**

(71) Applicant: **Sferco Pty Limited**, Breakwater (AU)

(72) Inventor: **Craig Sferco**, Breakwater (AU)

(73) Assignee: **Sferco Pty Limited**, Breakwater (AU)

(**) Term: **14 Years**

(21) Appl. No.: **29/443,161**

(22) Filed: **Jan. 14, 2013**

(30) **Foreign Application Priority Data**

Jul. 13, 2012 (AU) 13342/2012

(51) **LOC (10) Cl.** **25-01**

(52) **U.S. Cl.**

USPC **D25/126**

(58) **Field of Classification Search**

USPC D25/126, 44, 38.1; 52/832; 256/65.14,
256/65.02

See application file for complete search history.

(56) **References Cited**

U.S. PATENT DOCUMENTS

D500,148 S * 12/2004 Westby et al. D25/126
D553,763 S * 10/2007 Chung et al. D25/126
8,408,523 B2 * 4/2013 Hoggan 256/1
2004/0201006 A1 * 10/2004 Ramsey 256/65.14

* cited by examiner

Primary Examiner — Doris Clark

(74) *Attorney, Agent, or Firm* — TraskBritt P.C.

(57) **CLAIM**

The ornamental design for a balustrade, as shown and described.

DESCRIPTION

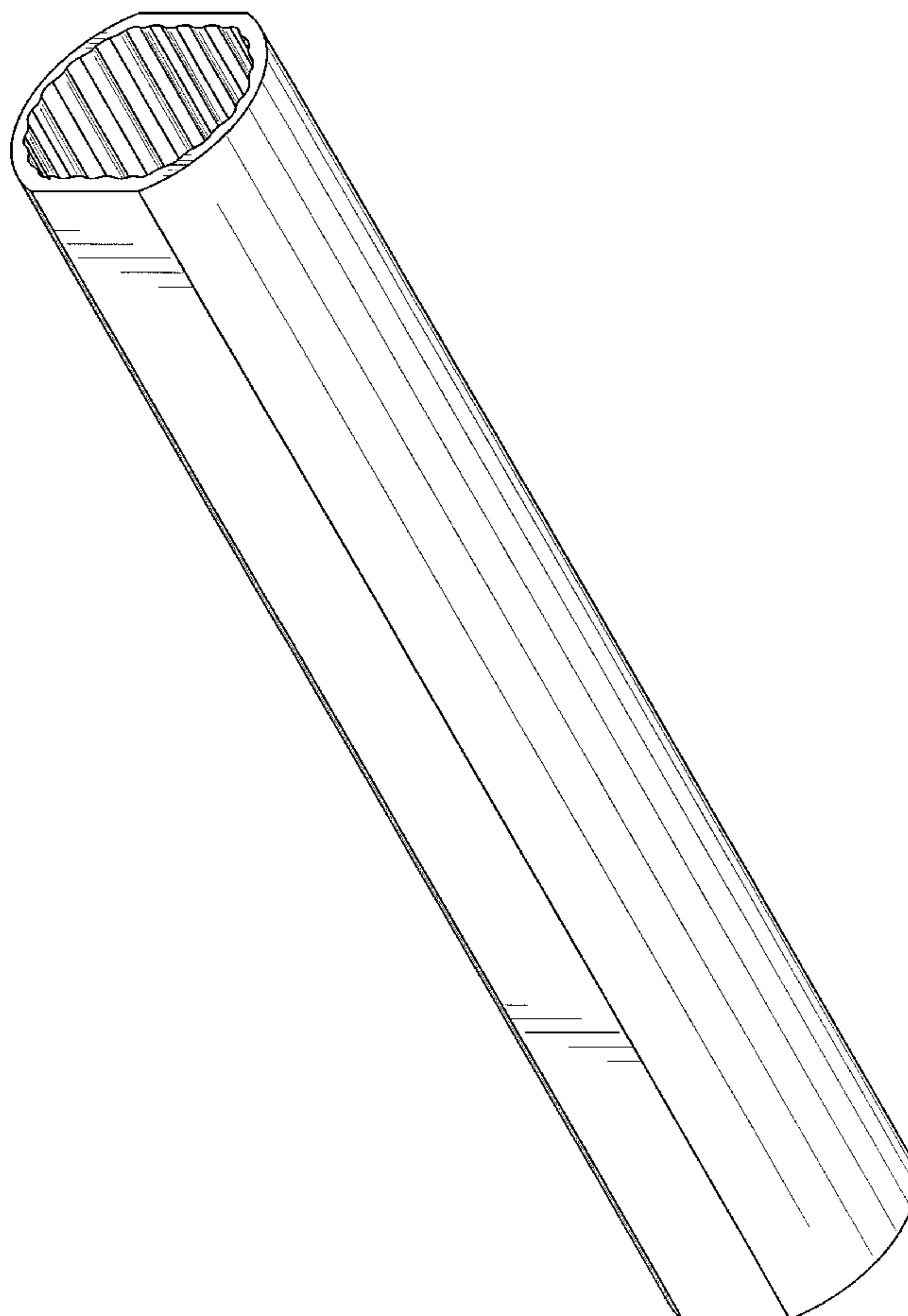
FIG. 1 is an enlarged end elevation view showing the balustrade;

FIG. 2 is an enlarged fragmented end, bottom, and right side perspective view of FIG. 1.

FIG. 3 is an end, top, and left side perspective view of FIG. 1; and,

FIG. 4 is an end, bottom, and right side perspective view of FIG. 1.

1 Claim, 4 Drawing Sheets



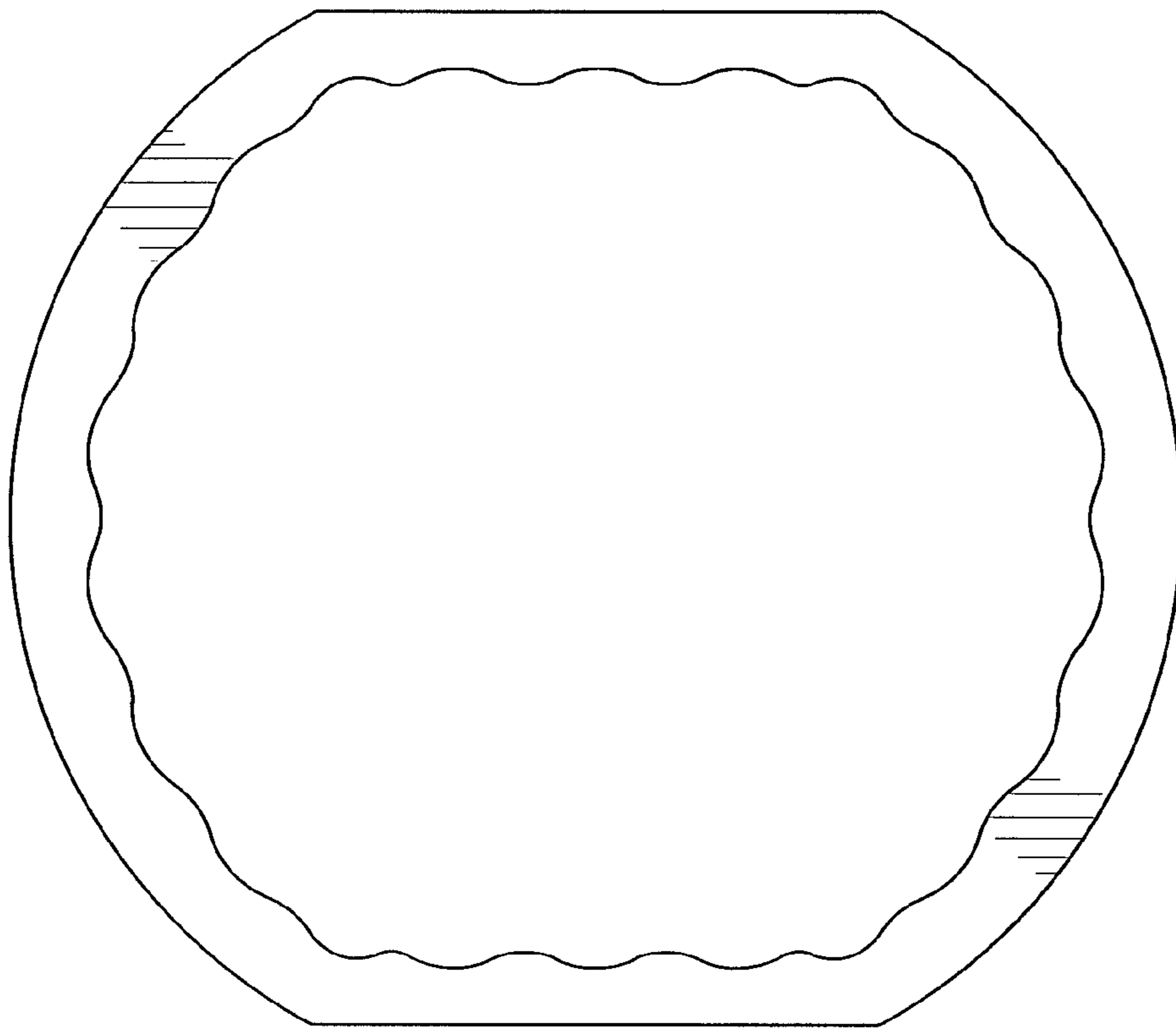


FIG. 1

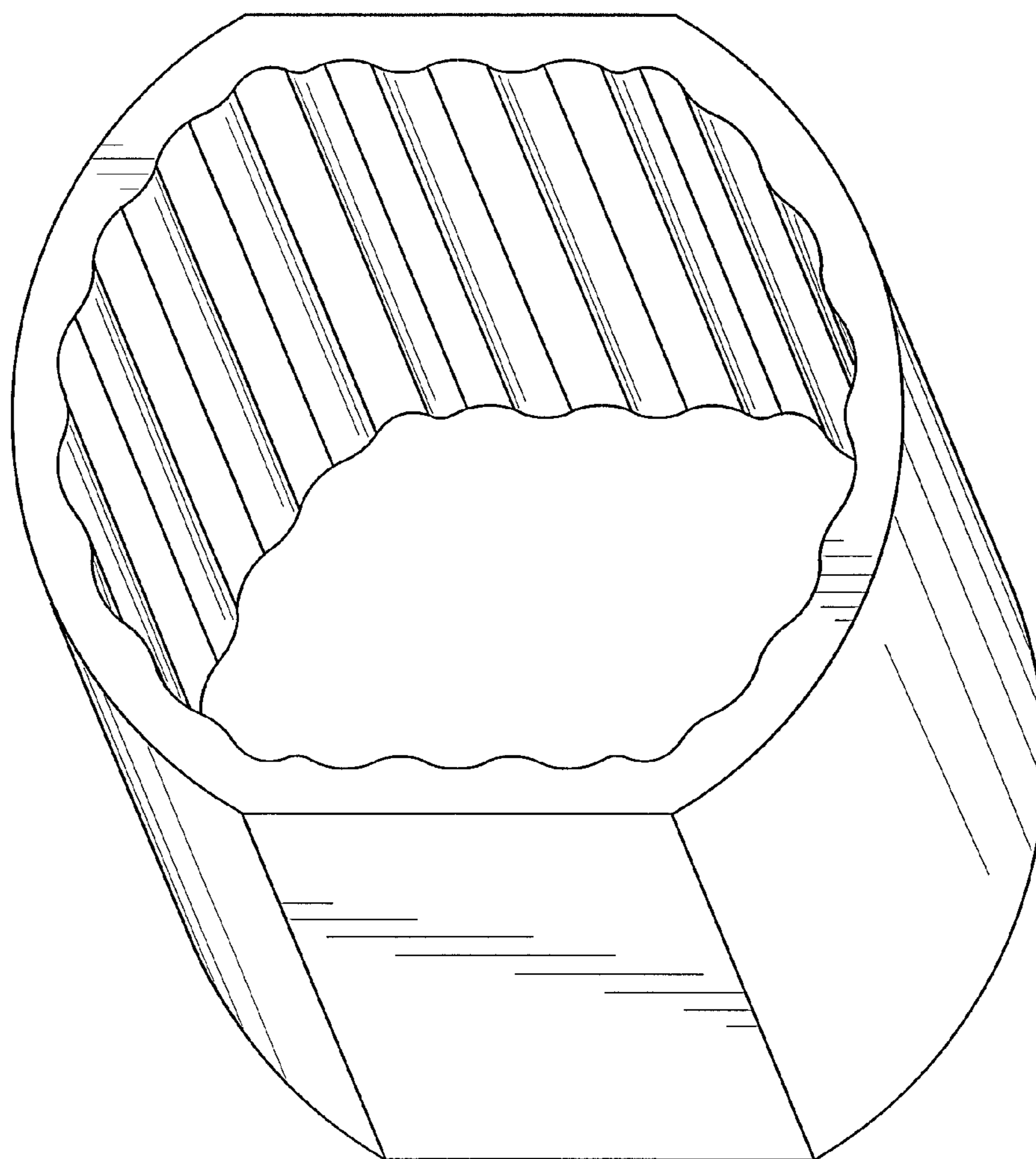


FIG. 2

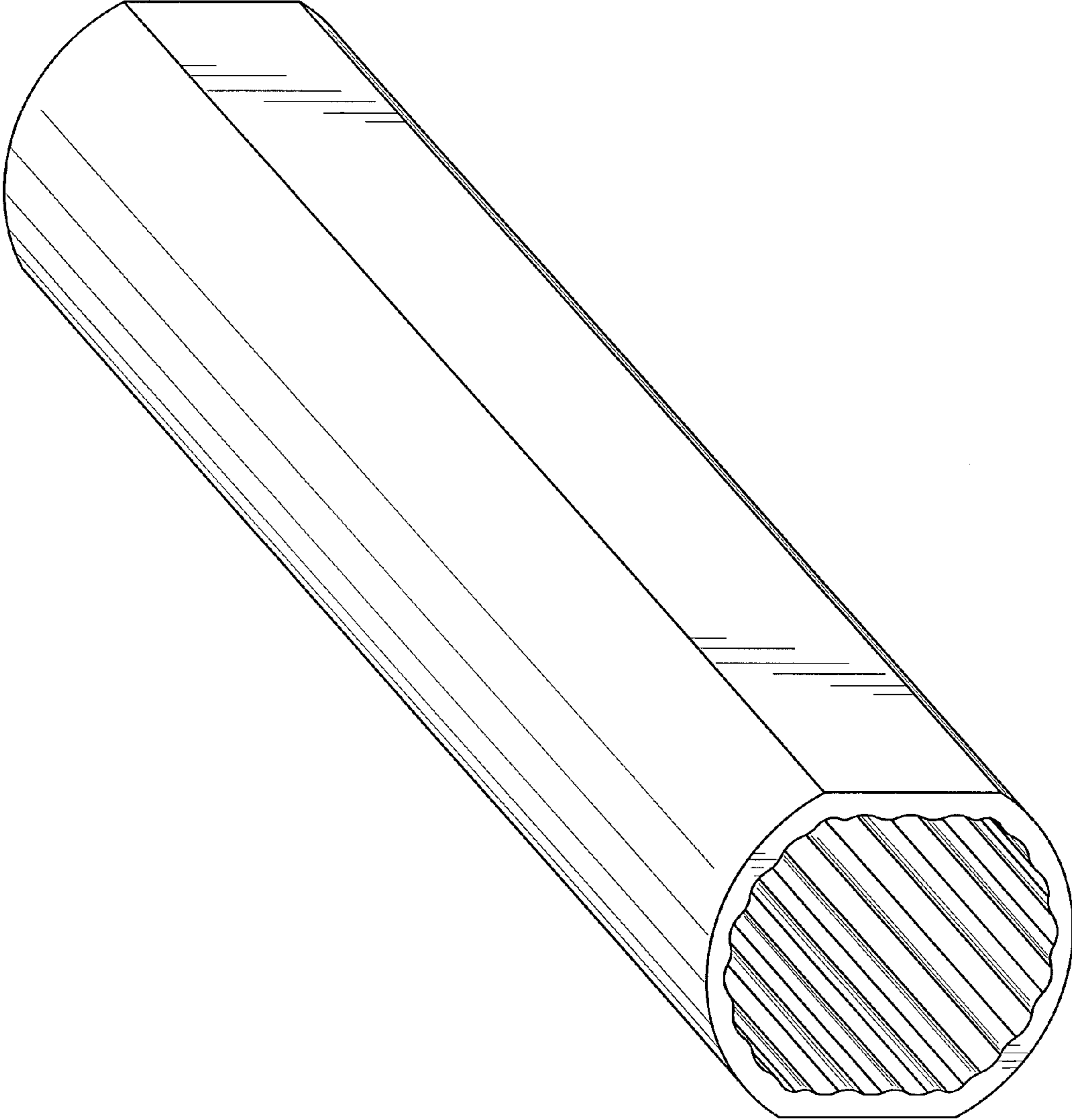


FIG. 3

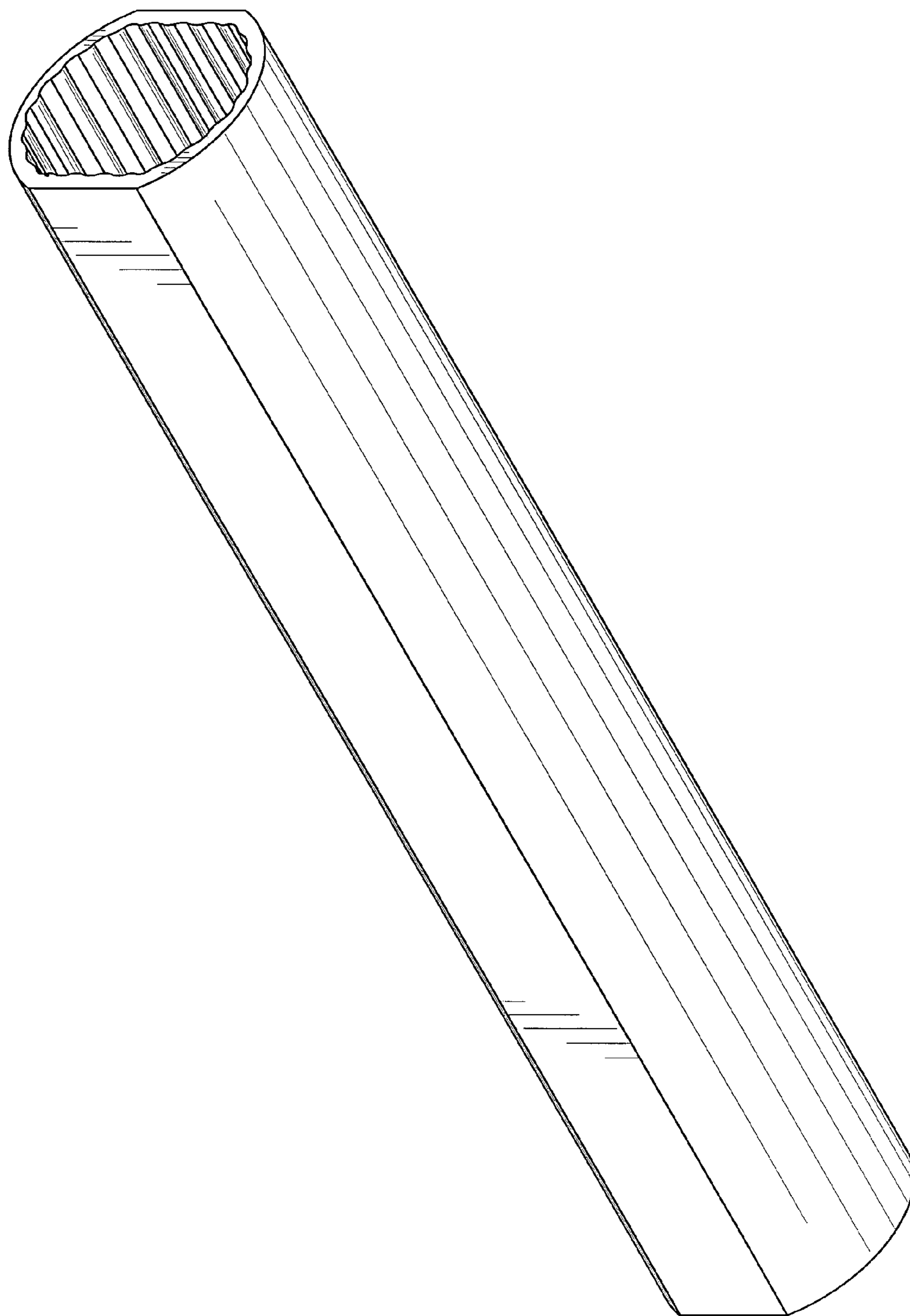


FIG. 4