



US00D714467S

(12) **United States Design Patent**  
**Wickland**

(10) **Patent No.:** **US D714,467 S**

(45) **Date of Patent:** **\*\* Sep. 30, 2014**

(54) **WINDOW COMPONENT EXTRUSION**

(71) Applicant: **Mikron Industries, Inc.**, Kent, WA (US)

(72) Inventor: **Timothy Todd Wickland**, Auburn, WA (US)

(73) Assignee: **Mikron Industries, Inc.**, Kent, WA (US)

(\*\*) Term: **14 Years**

(21) Appl. No.: **29/455,413**

(22) Filed: **May 20, 2013**

(51) **LOC (10) Cl.** ..... **25-01**

(52) **U.S. Cl.**

USPC ..... **D25/124**

(58) **Field of Classification Search**

USPC ..... D25/124; 52/204.1, 204.5, 204.55,  
52/656.5, 656.6, 656.7; 49/501, 504,  
49/DIG. 2

See application file for complete search history.

(56) **References Cited**

**U.S. PATENT DOCUMENTS**

4,856,230	A	*	8/1989	Slocomb	.....	49/504
D353,472	S	*	12/1994	Schrader	.....	D25/124
D366,328	S		1/1996	Oliver		
D375,804	S		11/1996	Goss		
D379,240	S		5/1997	Jarrell		
D394,510	S	*	5/1998	Dallaire et al.	.....	D25/124
D400,269	S		10/1998	Franson		
D405,894	S		2/1999	Oliver		
D430,309	S		8/2000	Goss		
D433,516	S		11/2000	Goss		
D435,670	S	*	12/2000	Crish et al.	.....	D25/124
D470,244	S		2/2003	Franson		
D504,958	S		5/2005	Cole		
D512,164	S		11/2005	Schrader		

**OTHER PUBLICATIONS**

Mikron Part No. 8338, pre-dates 2009.  
Mikron Part No. 8339, pre-dates 2009.  
Mikron Part No. 8340, pre-dates 2009.  
Mikron Part No. 8383, pre-dates 2009.  
Mikron Part No. 8384, pre-dates 2009.  
Mikron Part No. 8495, pre-dates 2009.  
Mikron Part No. 8505, pre-dates 2009.  
Mikron Part No. 9375, pre-dates 2009.  
Mikron Part No. 9622, pre-dates 2009.  
Mikron Part No. 9959, pre-dates 2009.  
Mikron Part No. 10268, first sale date Jan. 27, 2011.  
Mikron Part No. 7907, sale date pre-2009.  
Mikron Part No. 8996, sale date pre-2009.  
Mikron Part No. 10154, sale date Jun. 11, 2010.  
Mikron Part No. 10176, sale date Sep. 8, 2010.  
Mikron Part No. 10401, sale date Mar. 20, 2013.  
Mikron design patent application titled Window Component Extrusion 10401-10402-10431; U.S. Appl. No. 29/421,685, filed Aug. 31, 2012.

\* cited by examiner

*Primary Examiner* — Doris Clark

(74) *Attorney, Agent, or Firm* — Zollinger & Burleson Ltd.

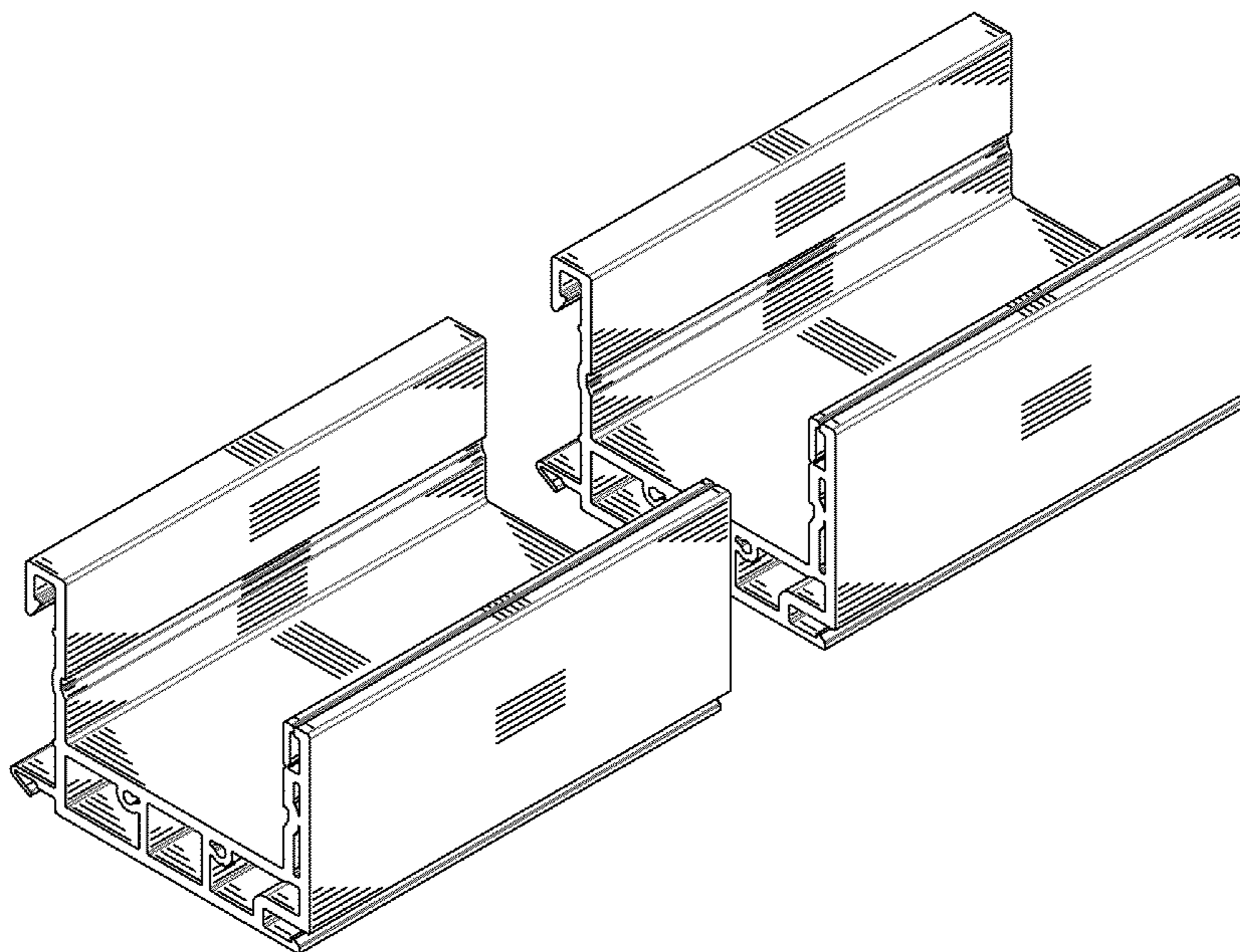
(57) **CLAIM**

The ornamental design for a window component extrusion, as shown and described.

**DESCRIPTION**

FIG. 1 is a top perspective view of the window component extrusion which is broken in the center indicating indeterminate length; and,  
FIG. 2 is a bottom perspective view of the window component extrusion shown in FIG. 1.

**1 Claim, 1 Drawing Sheet**



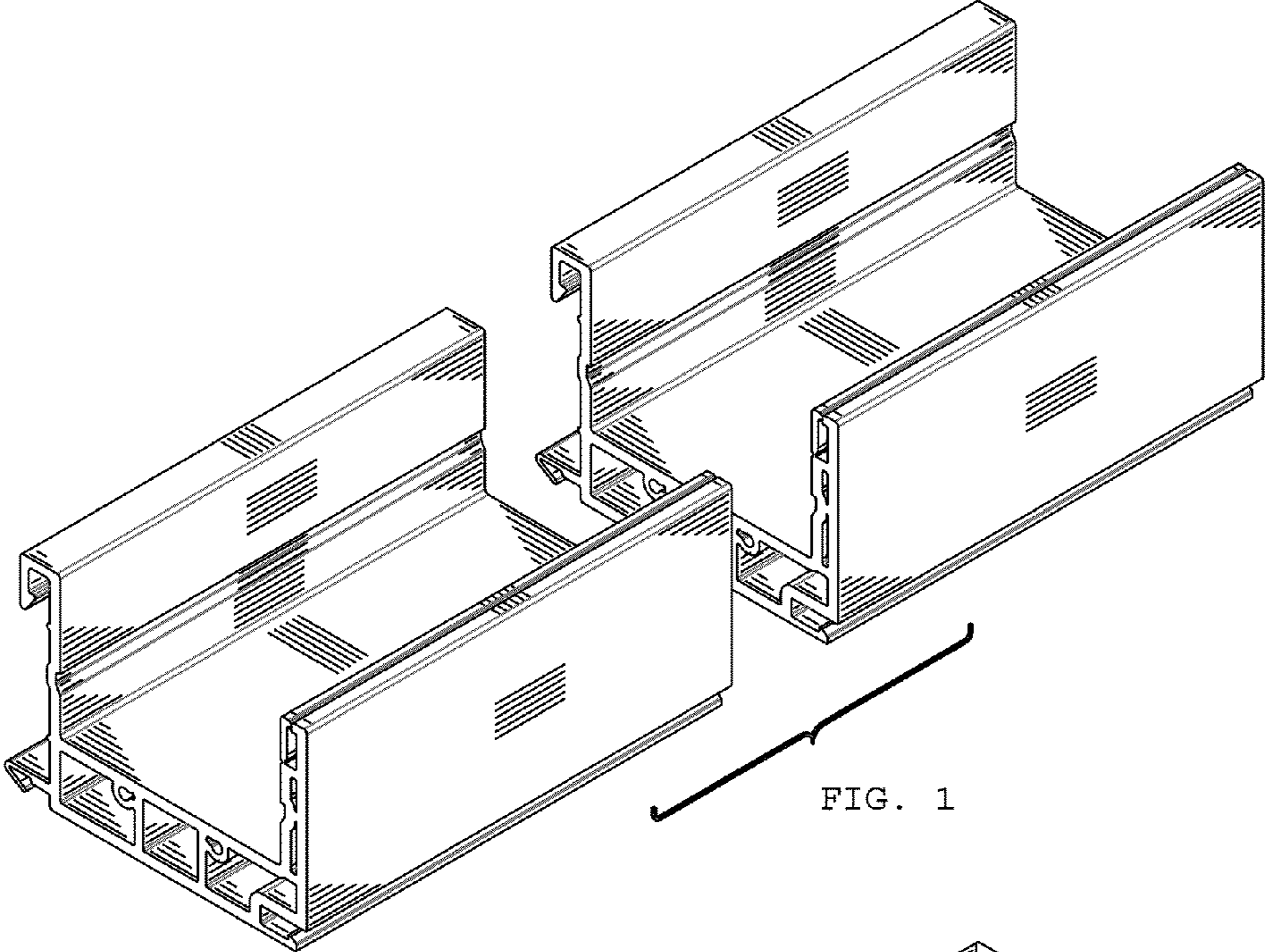


FIG. 1

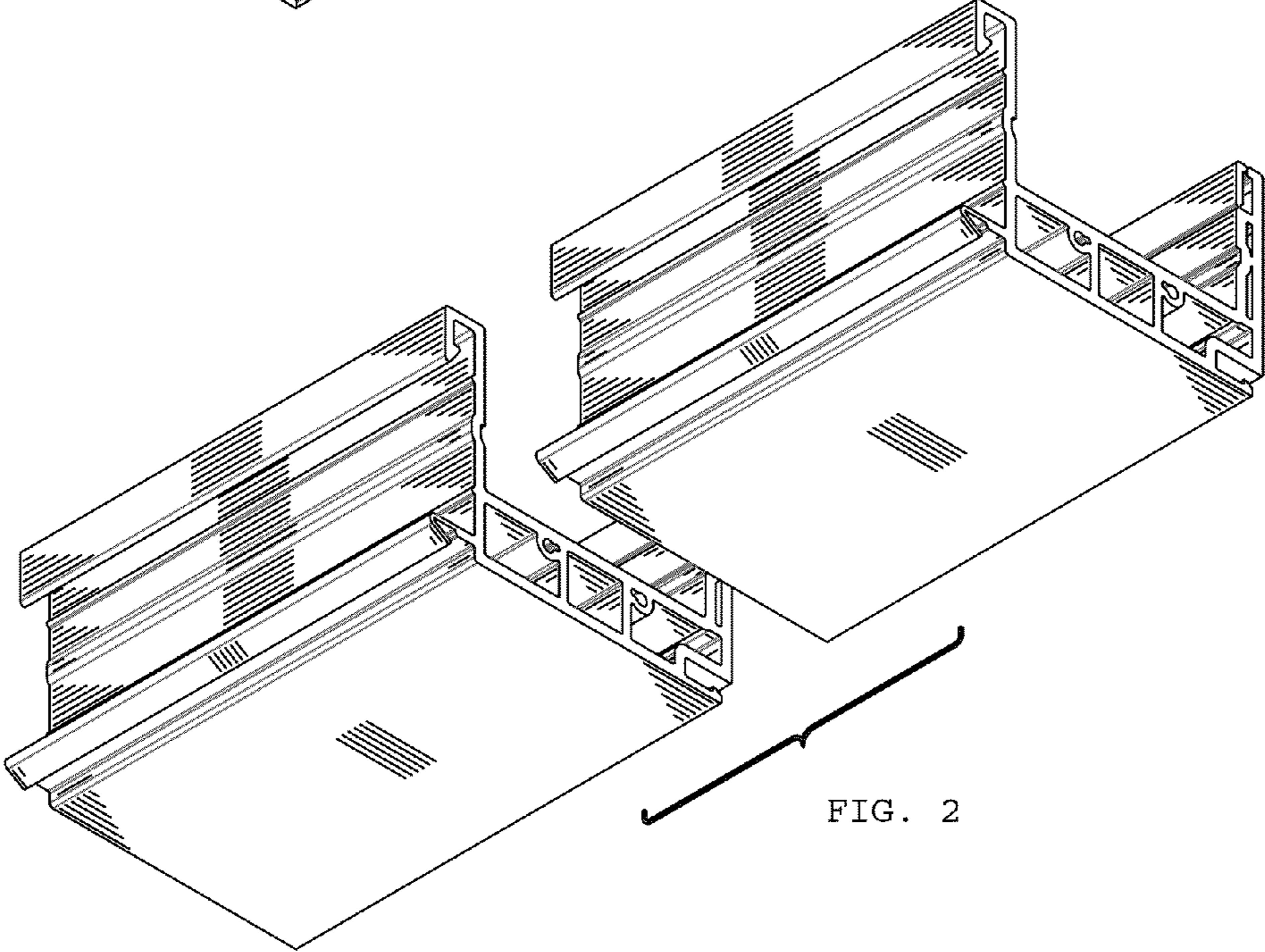


FIG. 2