



US00D714460S

(12) **United States Design Patent**
Shibata et al.

(10) **Patent No.:** **US D714,460 S**

(45) **Date of Patent:** **** Sep. 30, 2014**

(54) **SPECIMEN TRANSPORTER**

(71) Applicant: **Sysmex Corporation**, Kobe (JP)

(72) Inventors: **Fumie Shibata**, Tokyo (JP); **Yuichiro Ohmae**, Kobe (JP); **Hidetaka Hayama**, Kobe (JP)

(73) Assignee: **Sysmex Corporation**, Kobe (JP)

(**) Term: **14 Years**

(21) Appl. No.: **29/462,517**

(22) Filed: **Aug. 5, 2013**

(30) **Foreign Application Priority Data**

Feb. 8, 2013 (JP) 2013-002567

(51) **LOC (10) Cl.** **24-01**

(52) **U.S. Cl.**
USPC **D24/216**

(58) **Field of Classification Search**
USPC D24/216, 217, 219, 223, 231, 232, 233,
D24/107, 169, 186; D10/81; 422/500, 547,
422/62-65, 67; 435/287.1, 287.3; 436/43,
436/45, 47

See application file for complete search history.

(56) **References Cited**

U.S. PATENT DOCUMENTS

D264,991 S * 6/1982 Quandt D24/216
D280,662 S * 9/1985 Bartfay et al. D24/216

5,096,670 A * 3/1992 Harris et al. 422/65
D328,954 S * 8/1992 Brech D24/216
7,875,241 B2 * 1/2011 Nakaya 422/65
D650,910 S * 12/2011 Shibata et al. D24/216
D655,824 S * 3/2012 Tsutsumida et al. D24/216
D667,961 S * 9/2012 Marmier D24/232
D671,227 S * 11/2012 Parker et al. D24/216

* cited by examiner

Primary Examiner — Anhdao Doan

(74) *Attorney, Agent, or Firm* — Brinks Gilson & Lione

(57) **CLAIM**

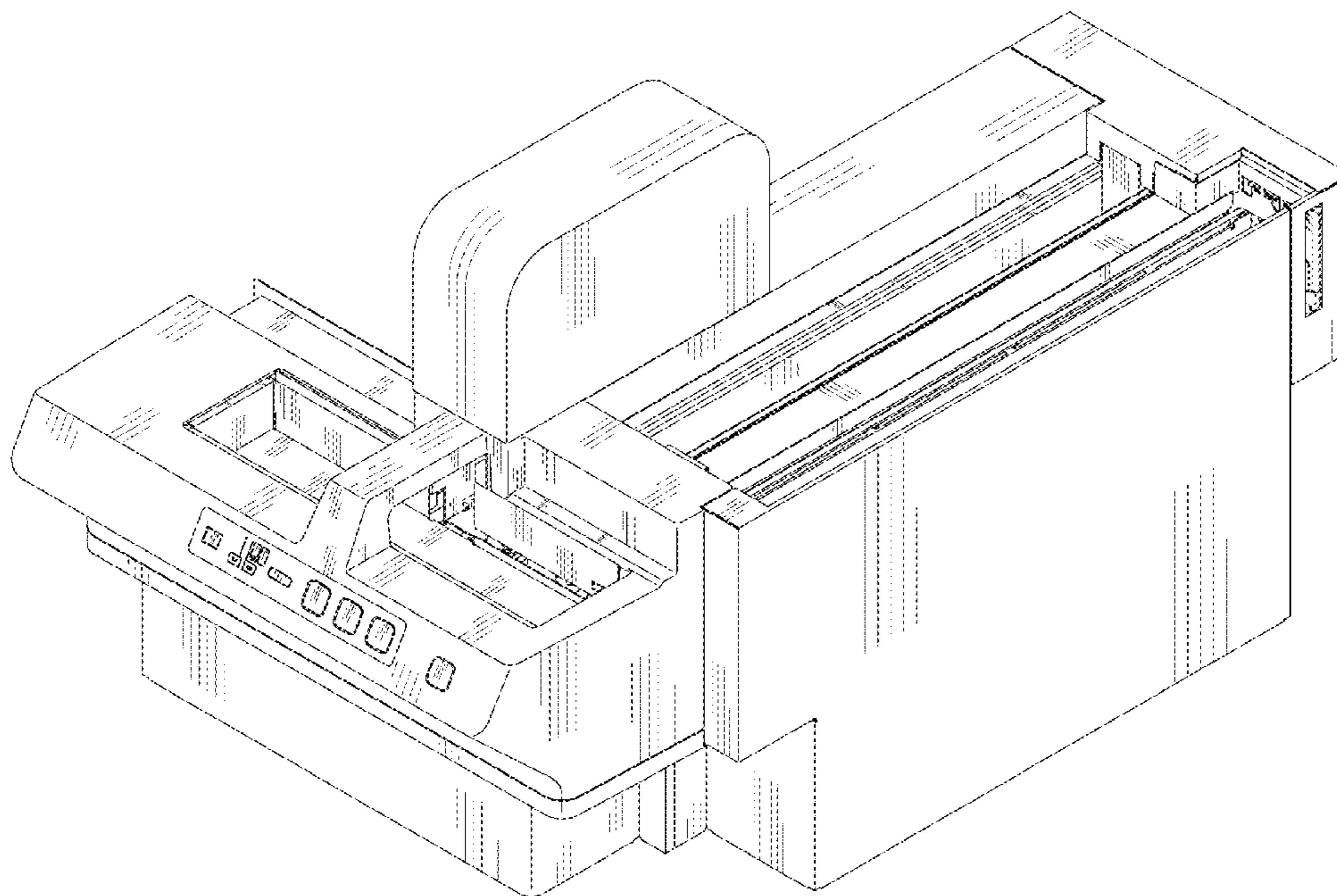
We claim the ornamental design for a specimen transporter, as shown and described.

DESCRIPTION

FIG. 1 is a right side front perspective view of a specimen transporter of the present invention;
FIG. 2 is a left side front perspective view thereof;
FIG. 3 is a front view thereof;
FIG. 4 is a rear view thereof;
FIG. 5 is a right side view thereof;
FIG. 6 is a left side view thereof;
FIG. 7 is a top view thereof;
FIG. 8 is a bottom view thereof; and,
FIG. 9 is right side front perspective view shown in an environmental use.

The broken lines shown represent unclaimed subject matter and form no part of the claimed design.

1 Claim, 9 Drawing Sheets



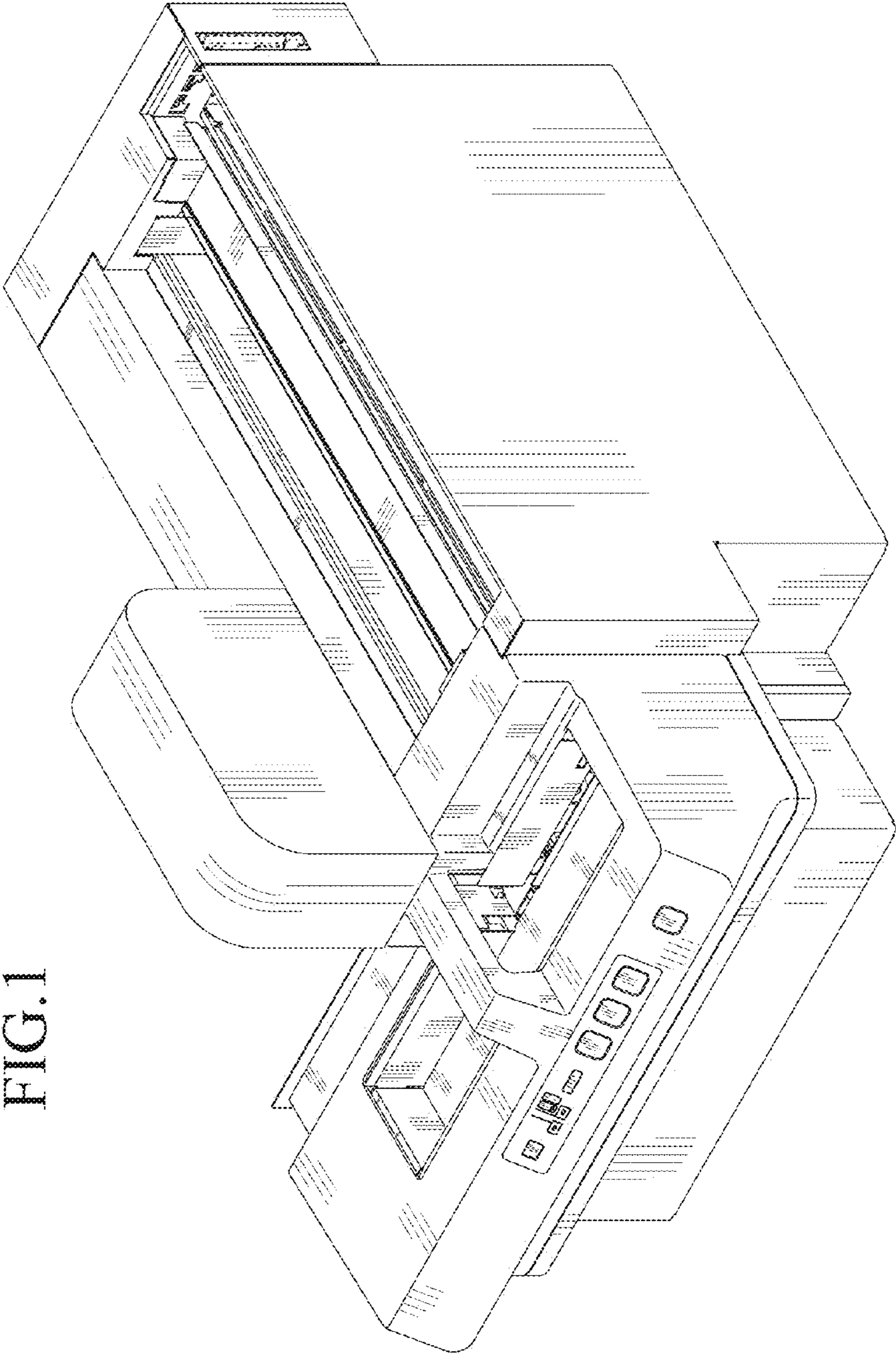


FIG.1

FIG.2

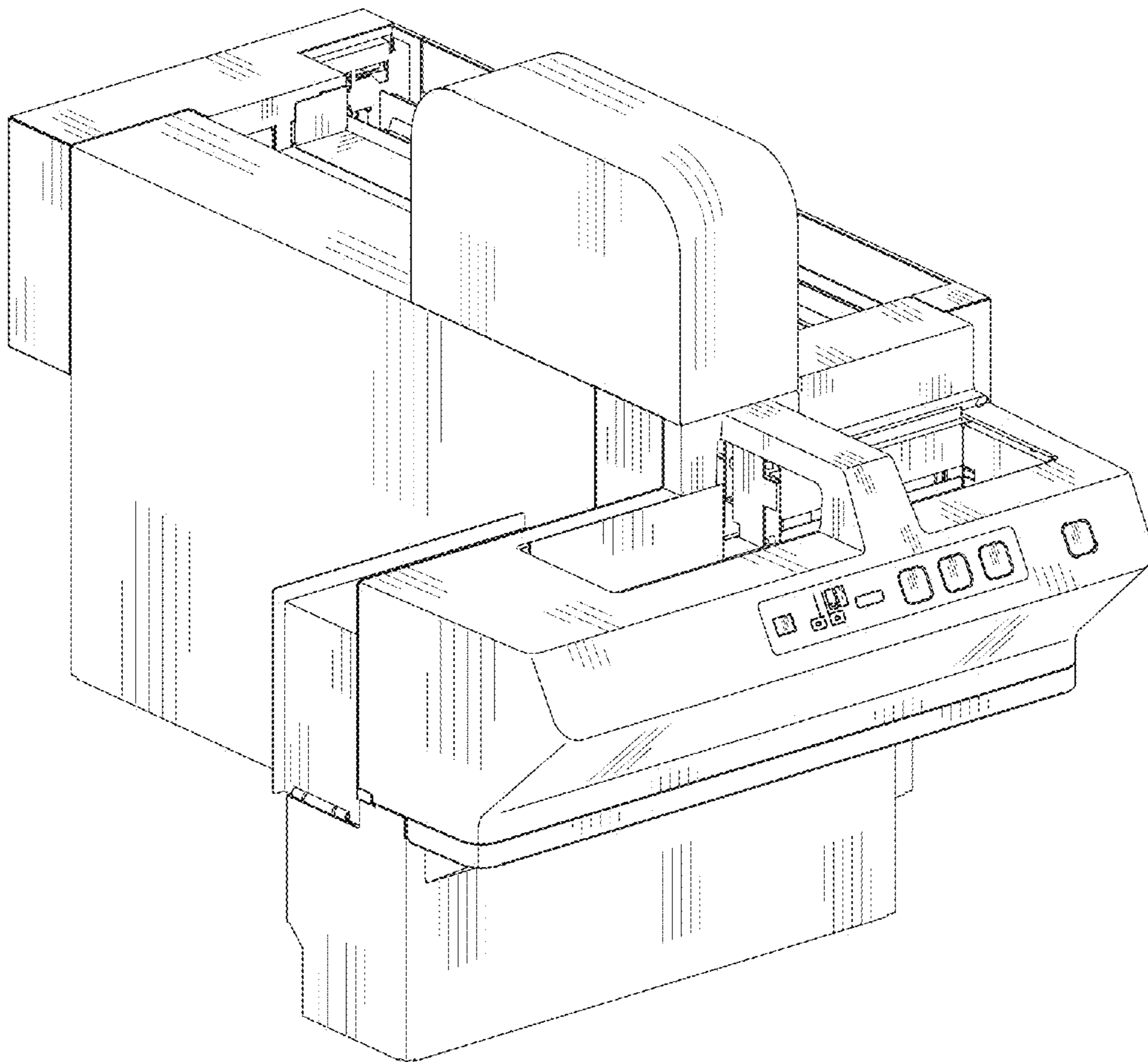


FIG.3

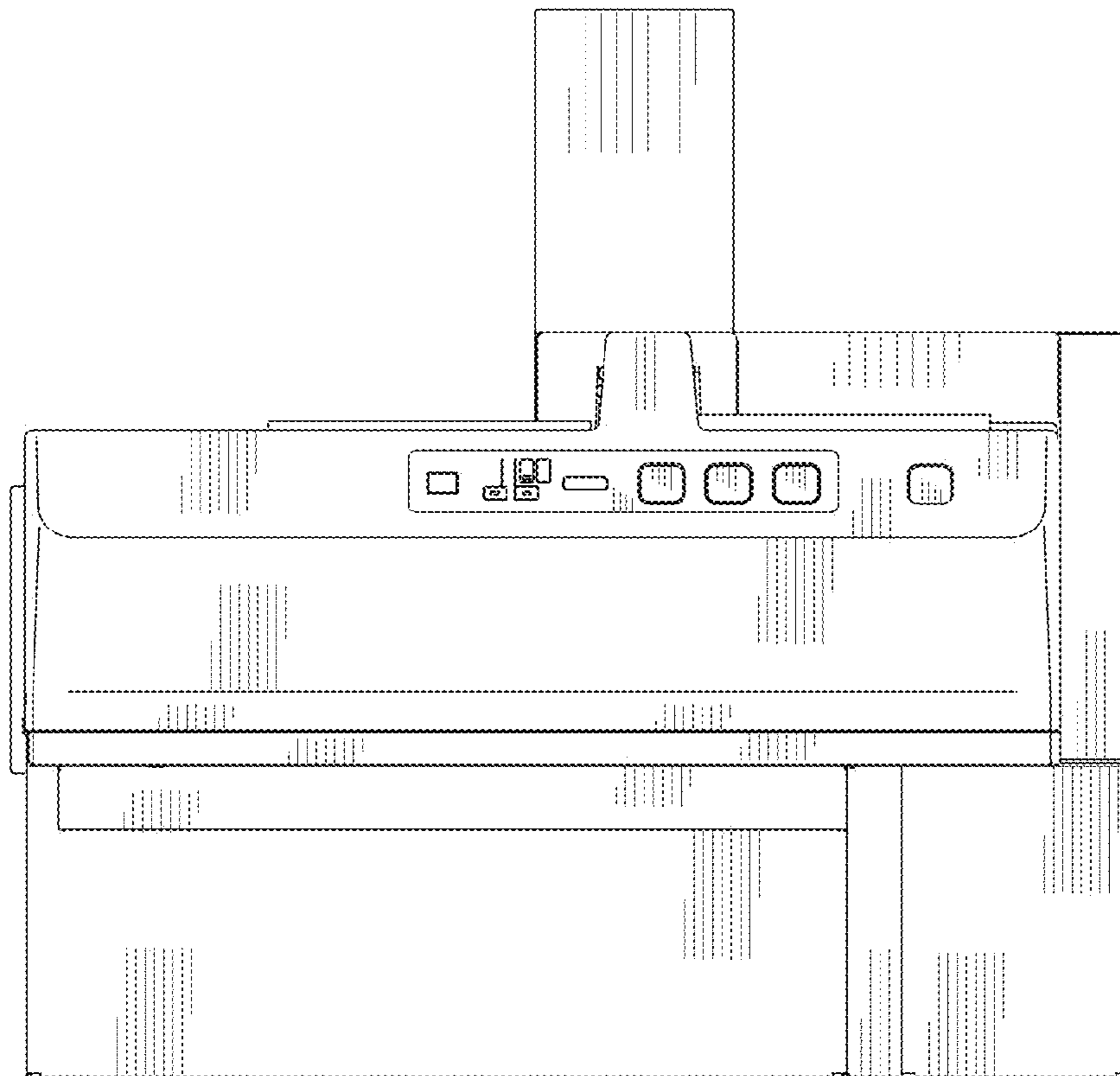


FIG.4

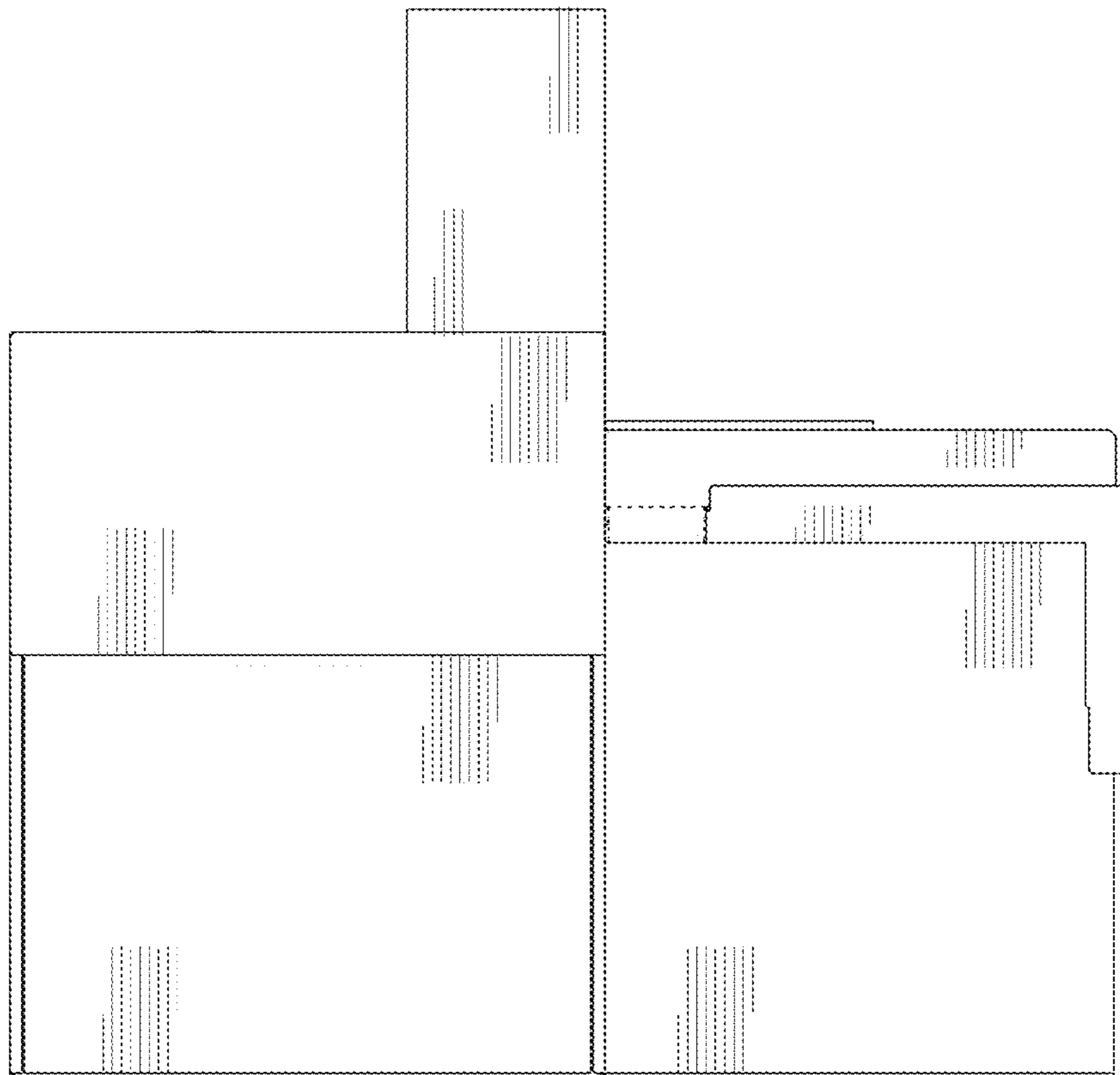
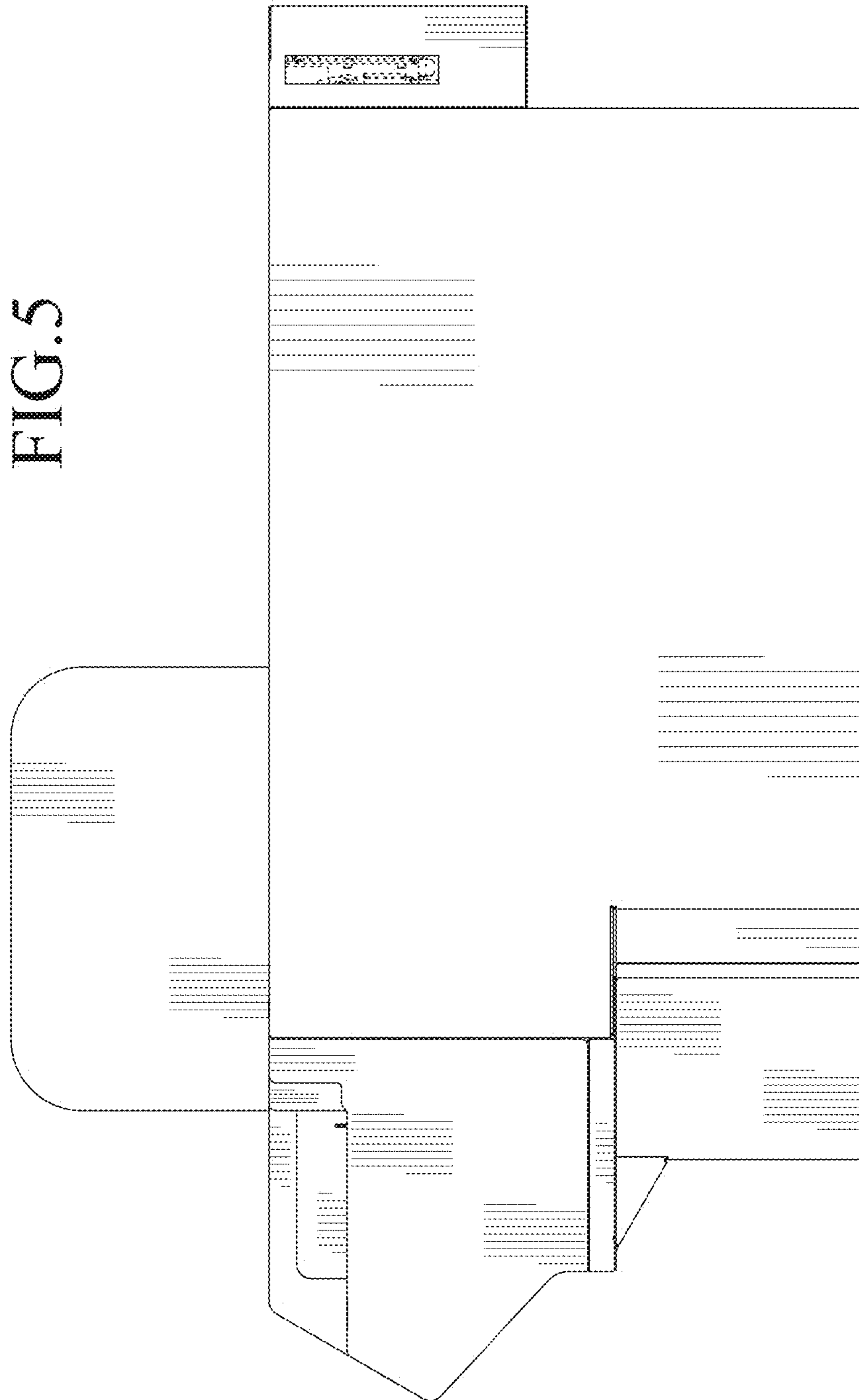


FIG. 5



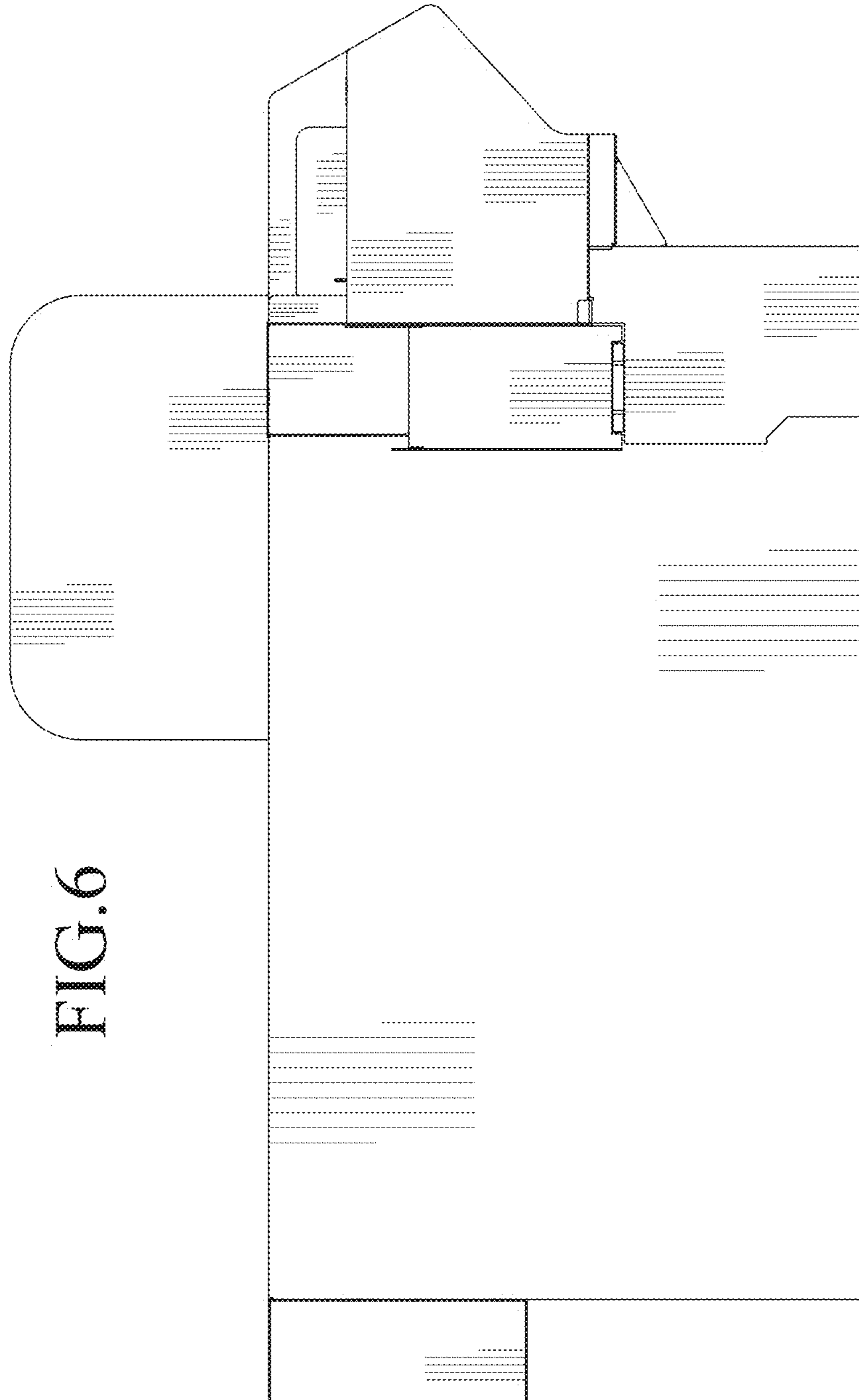


FIG. 7



FIG. 8

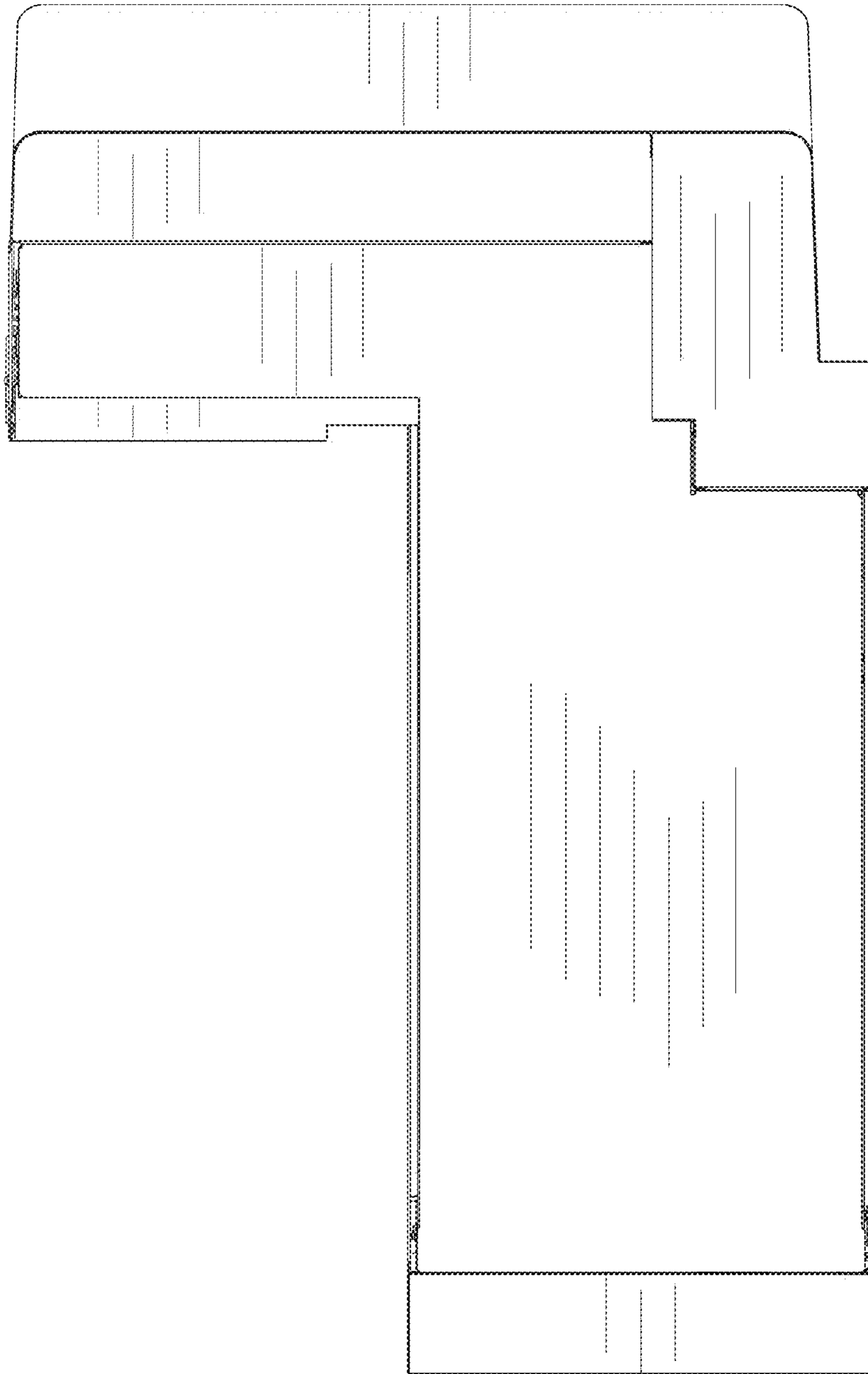


FIG.9

