



US00D714457S

(12) **United States Design Patent**
Waugh et al.

(10) **Patent No.:** **US D714,457 S**

(45) **Date of Patent:** **** *Sep. 30, 2014**

(54) **LIMB SUPPORT**

(71) Applicants: **Anna Waugh**, Tamworth (GB); **Neil James Waugh**, Tamworth (GB)

(72) Inventors: **Anna Waugh**, Tamworth (GB); **Neil James Waugh**, Tamworth (GB)

(*) Notice: This patent is subject to a terminal disclaimer.

(**) Term: **14 Years**

(21) Appl. No.: **29/465,823**

(22) Filed: **Aug. 30, 2013**

(30) **Foreign Application Priority Data**

Jul. 27, 2013 (GB) 4031217

(51) **LOC (10) Cl.** **24-04**

(52) **U.S. Cl.**
USPC **D24/190**

(58) **Field of Classification Search**

CPC A61G 13/12; A61G 13/1245; A61G 13/1235; A61G 7/0755; A61G 13/125; A61G 13/0036; A61G 7/075; A61G 2005/127; A61G 2005/128; A61G 5/12

USPC D24/183, 184, 186, 190; D6/349, 601; 602/4-6, 20, 23, 24, 60-62; 128/891, 128/892; 5/632, 633, 636, 646-65, 648

See application file for complete search history.

(56) **References Cited**

U.S. PATENT DOCUMENTS

3,843,979 A * 10/1974 Treace 5/648
D359,190 S * 6/1995 Hargest et al. D6/601

D362,072 S * 9/1995 Sternberg D24/190
5,477,866 A * 12/1995 Davenport 5/648
5,584,303 A * 12/1996 Walle 5/648
D382,057 S * 8/1997 Swedberg et al. D24/183
D385,179 S * 10/1997 Brandes D8/403
D387,167 S * 12/1997 Klein D24/183
D413,982 S * 9/1999 Swedberg et al. D24/190
D461,714 S * 8/2002 Hamada et al. D9/456
7,017,215 B1 * 3/2006 Singer et al. 5/646
D642,280 S * 7/2011 Goumas D24/190
8,535,255 B2 * 9/2013 Ponsi et al. 602/62

* cited by examiner

Primary Examiner — Eric Goodman

Assistant Examiner — Jennifer Watkins

(74) *Attorney, Agent, or Firm* — Klarquist Sparkman, LLP

(57) **CLAIM**

We claim the ornamental design for a limb support, as shown and described.

DESCRIPTION

FIG. 1 is a right side perspective view of a portion of a limb support;

FIG. 2 is a right side elevational view of the limb support of FIG. 1;

FIG. 3 is a left side elevational view of the limb support of FIG. 1;

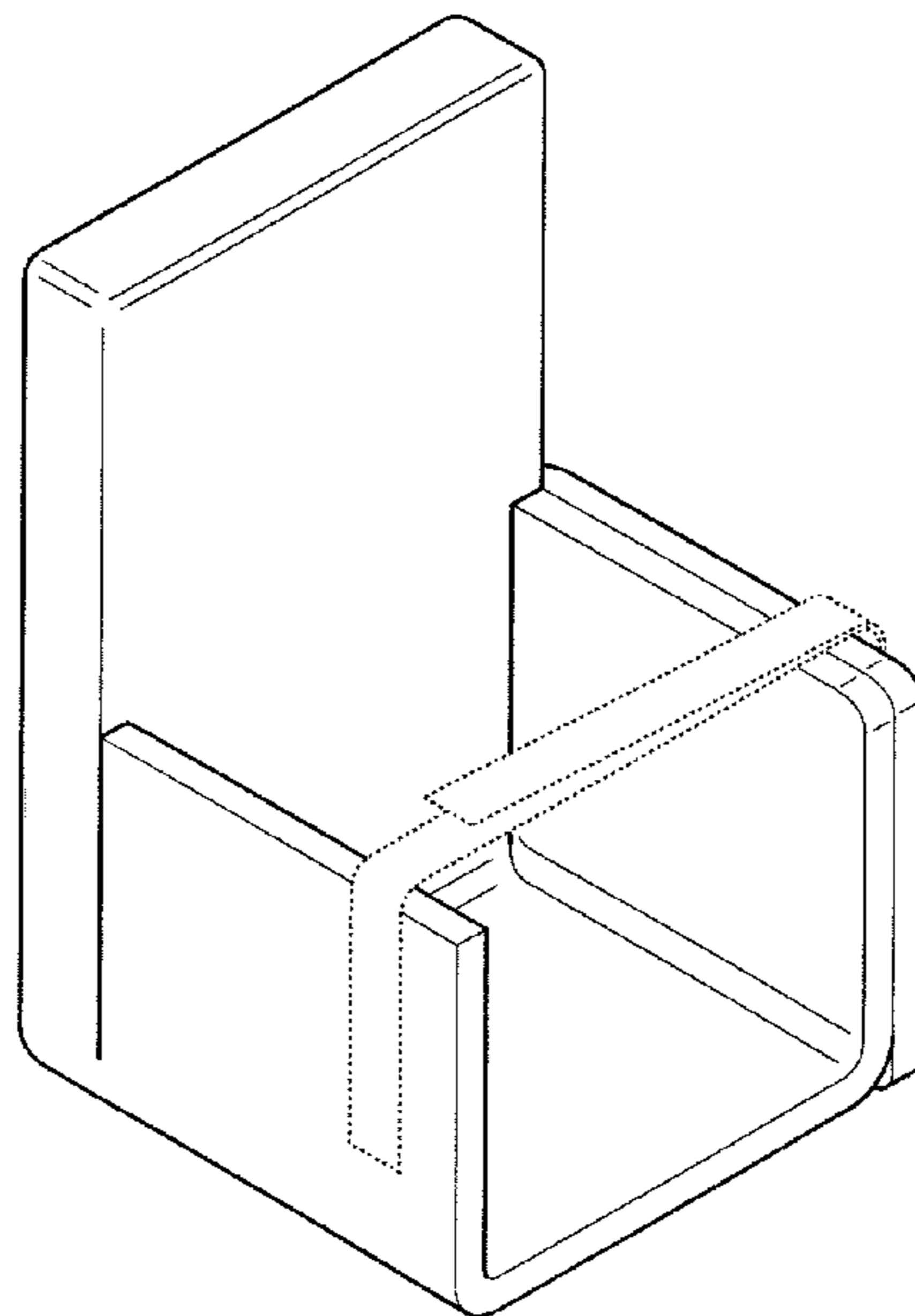
FIG. 4 is a front elevational view of the limb support of FIG. 1;

FIG. 5 is a rear elevational view of the limb support of FIG. 1;

FIG. 6 is a top plan view of the limb support of FIG. 1; and, FIG. 7 is a bottom plan view of the limb support of FIG. 1.

The broken line drawing of a strap with a buckle is for illustrative purposes only and forms no part of the claimed design.

1 Claim, 7 Drawing Sheets



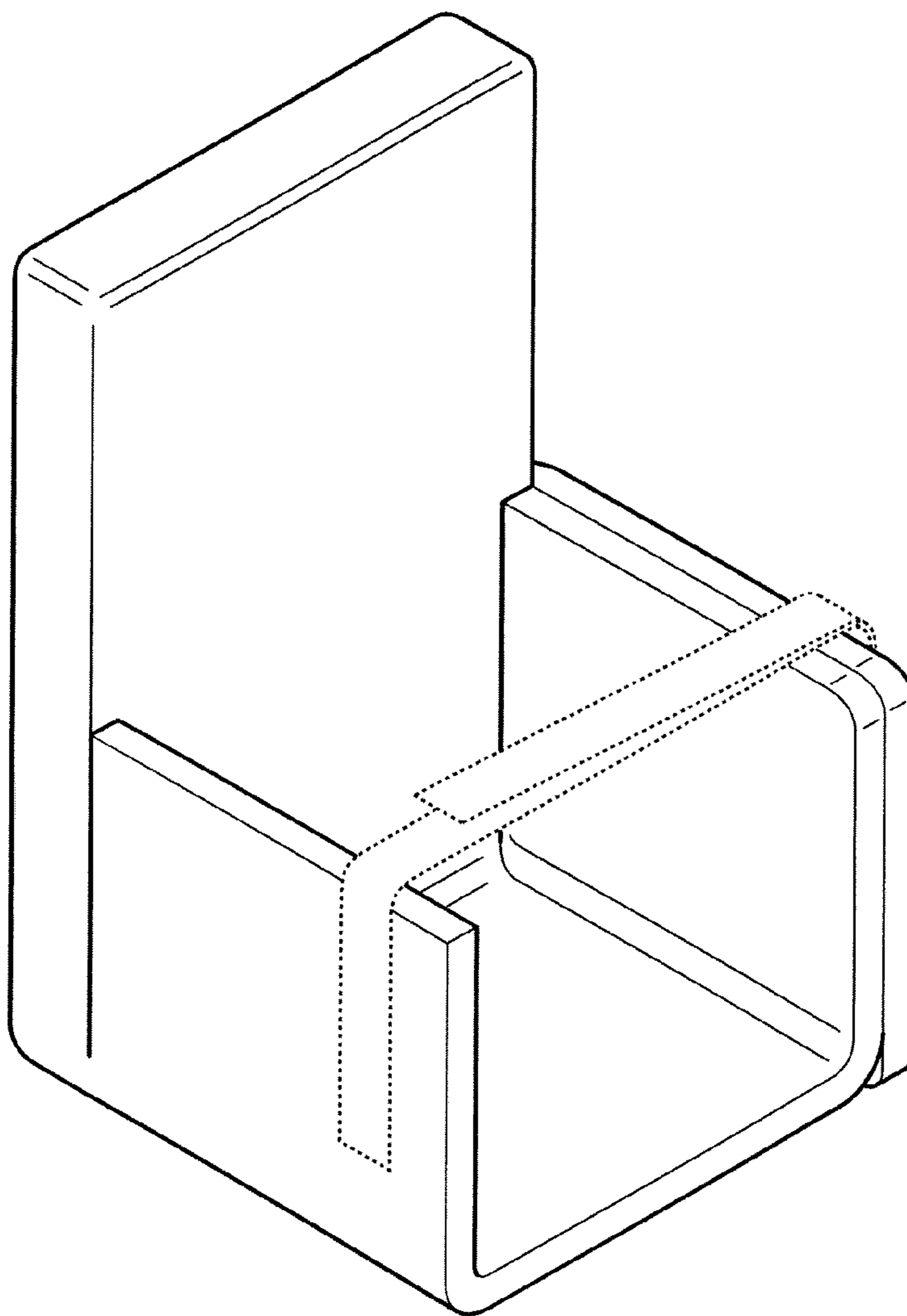


FIG. 1

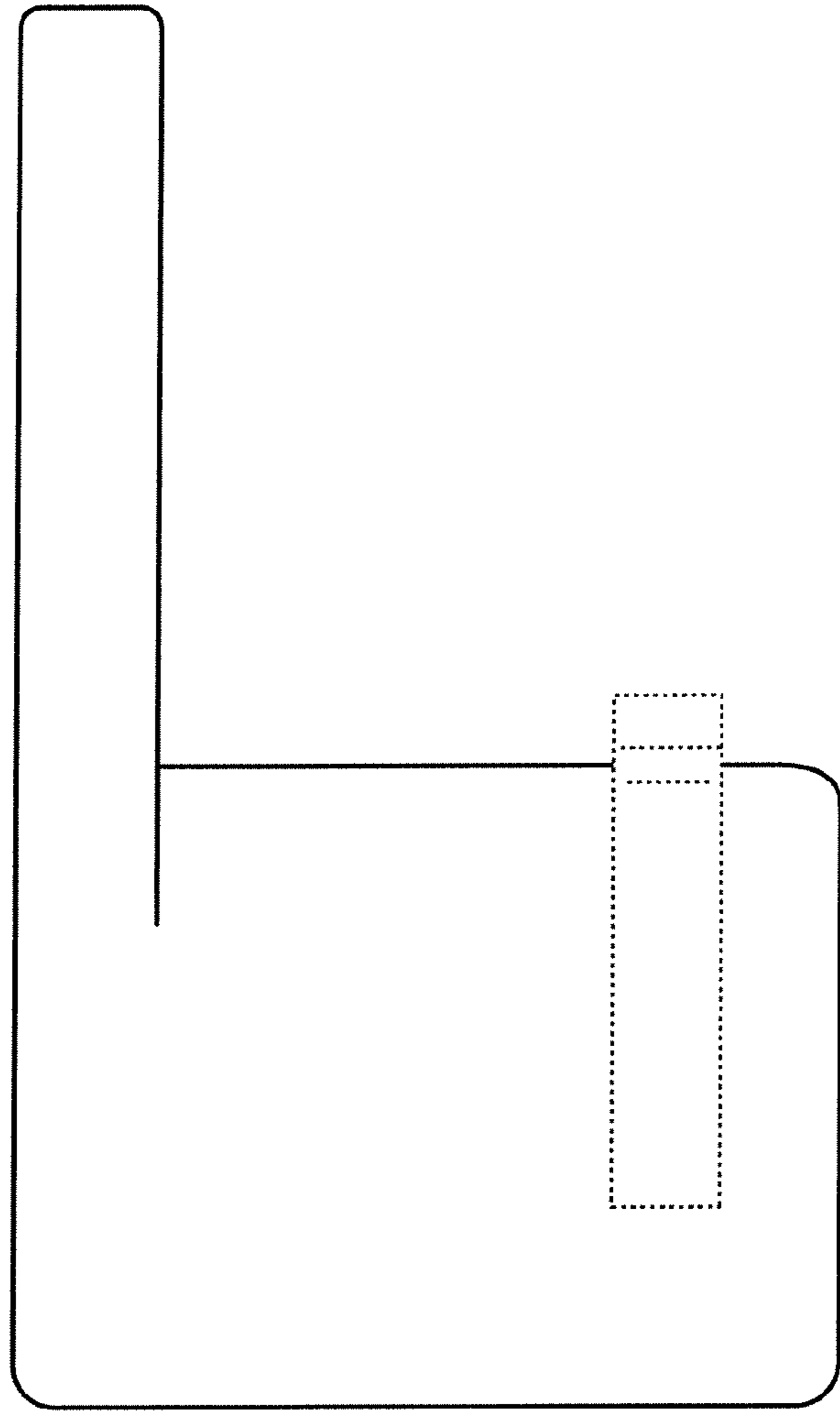


FIG. 2

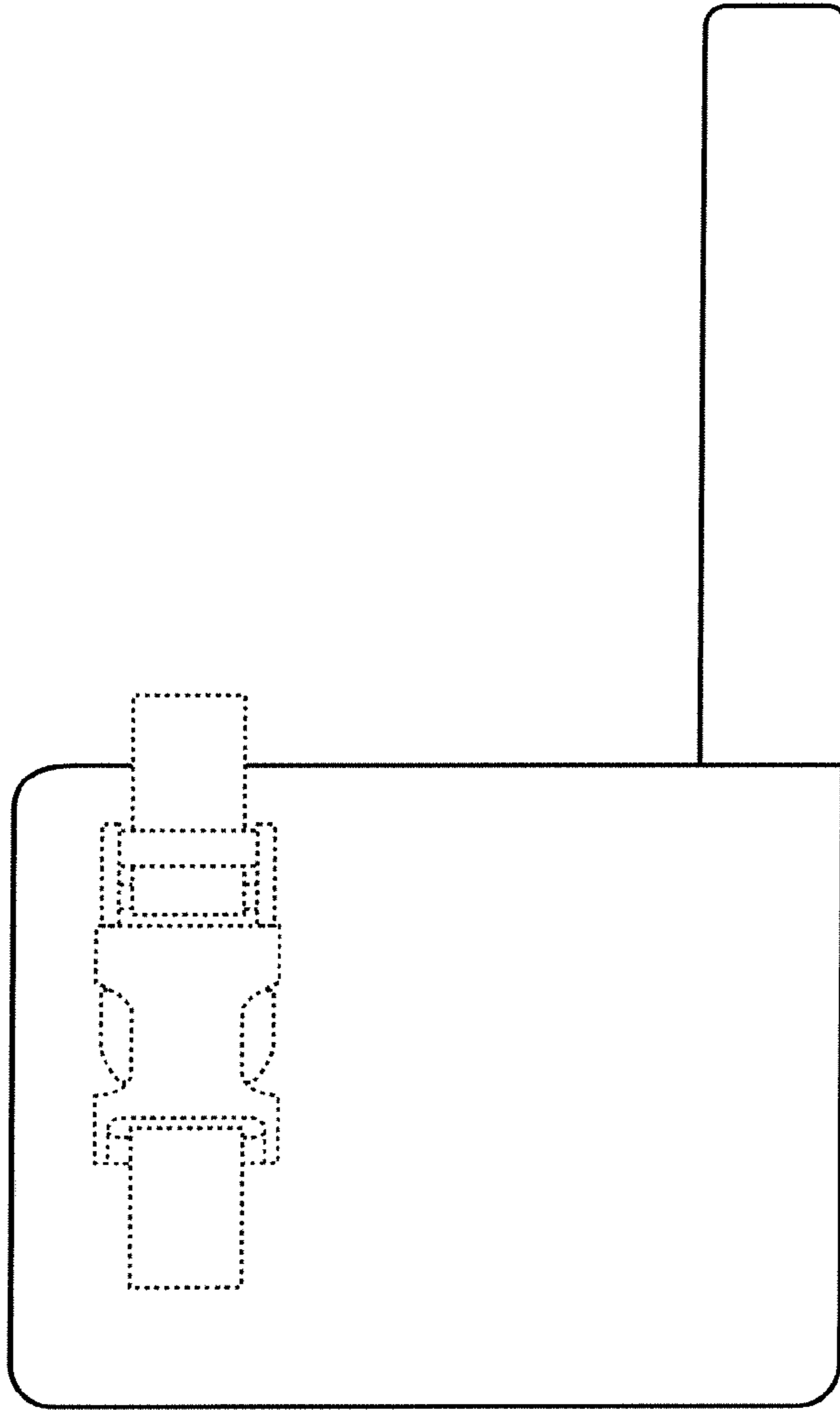


FIG. 3

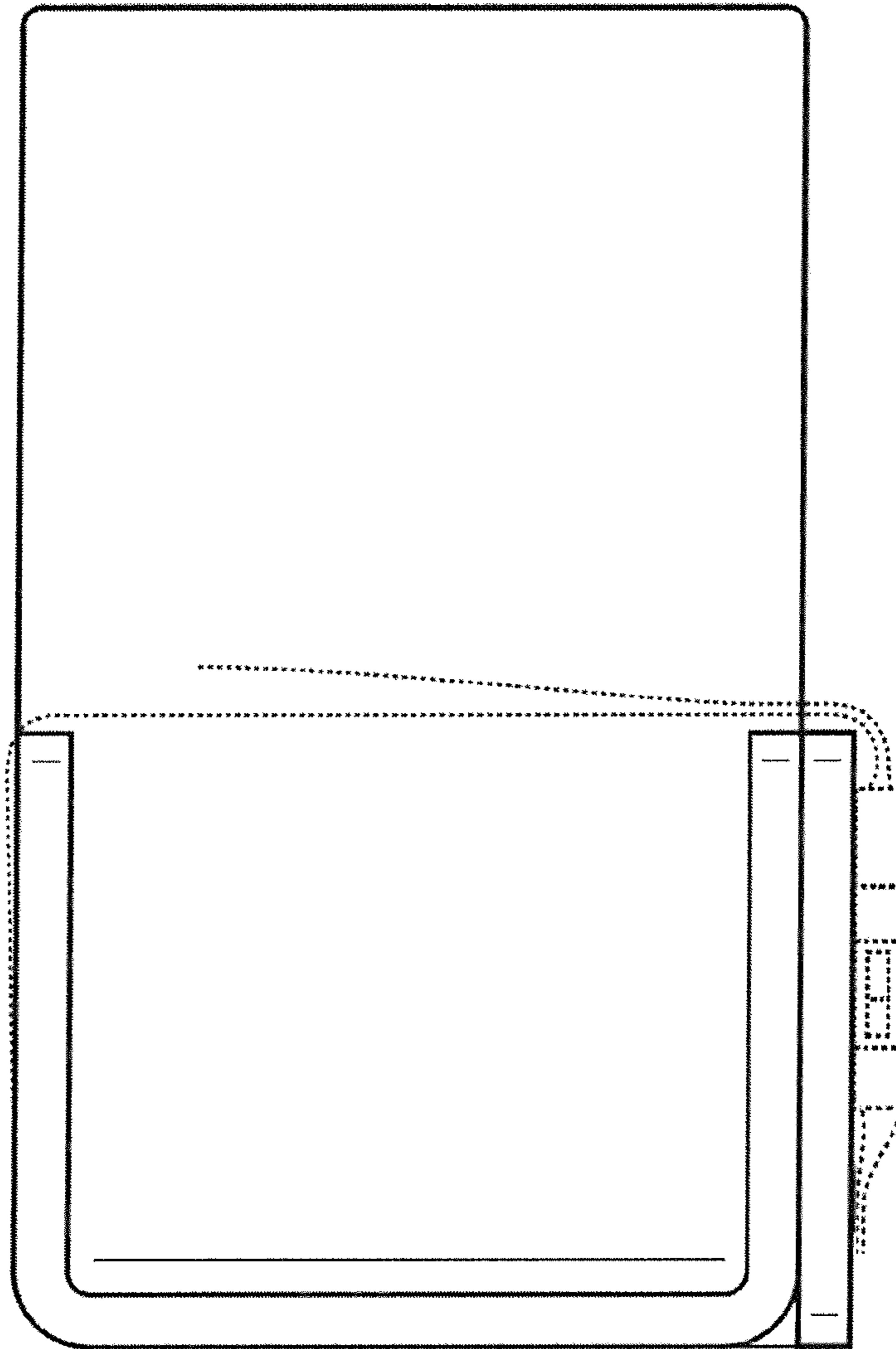


FIG. 4

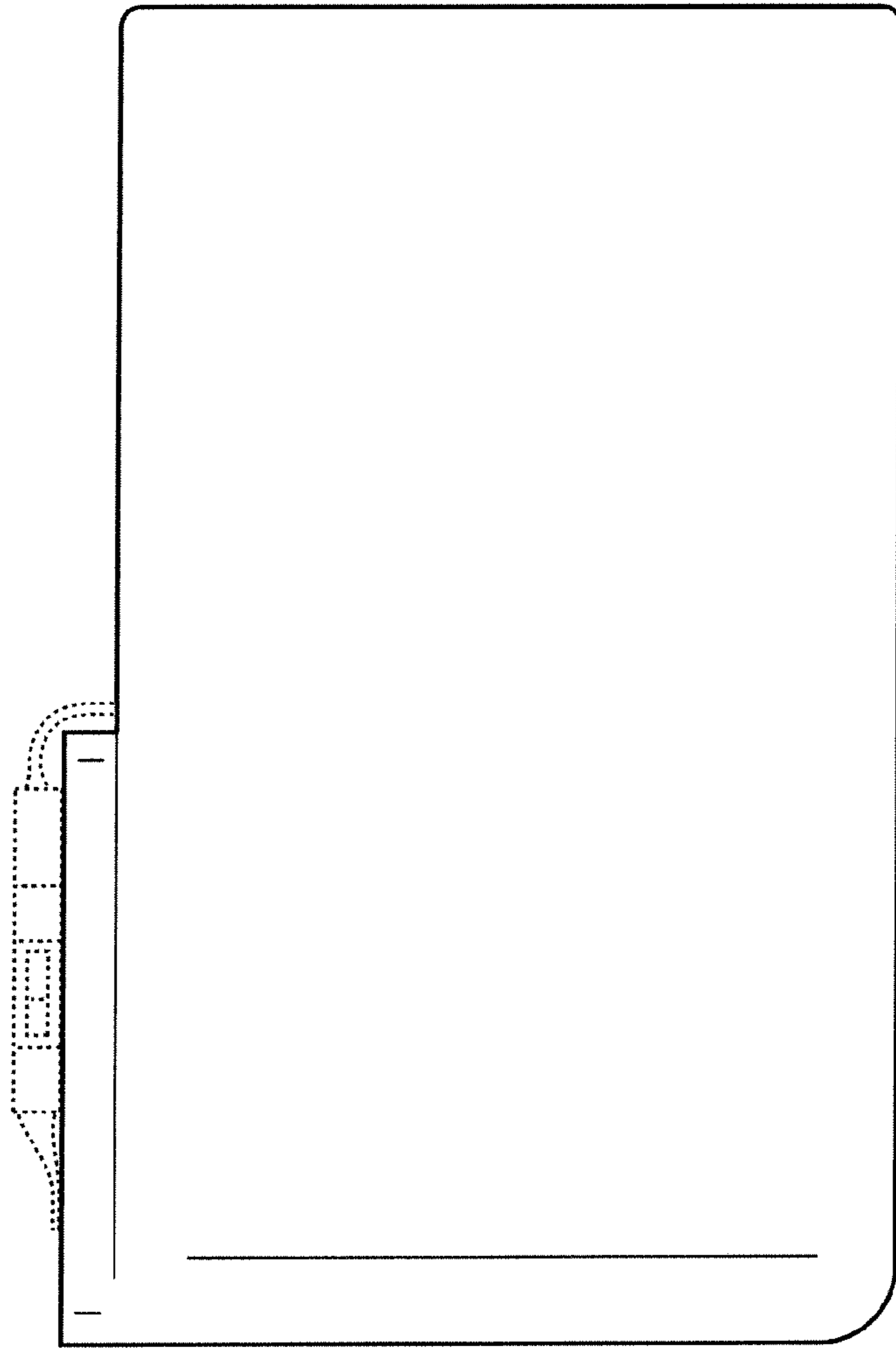


FIG. 5

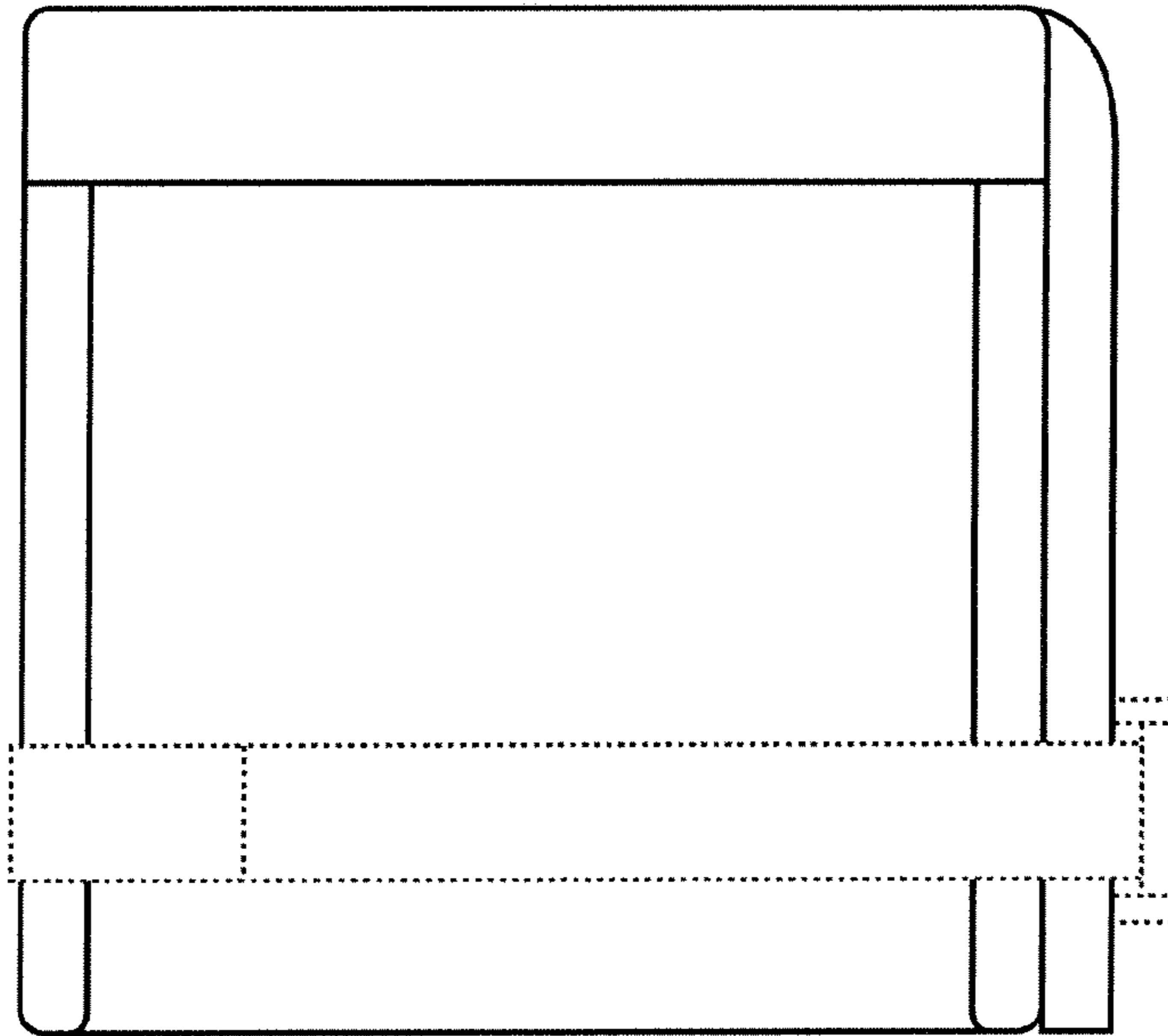


FIG. 6

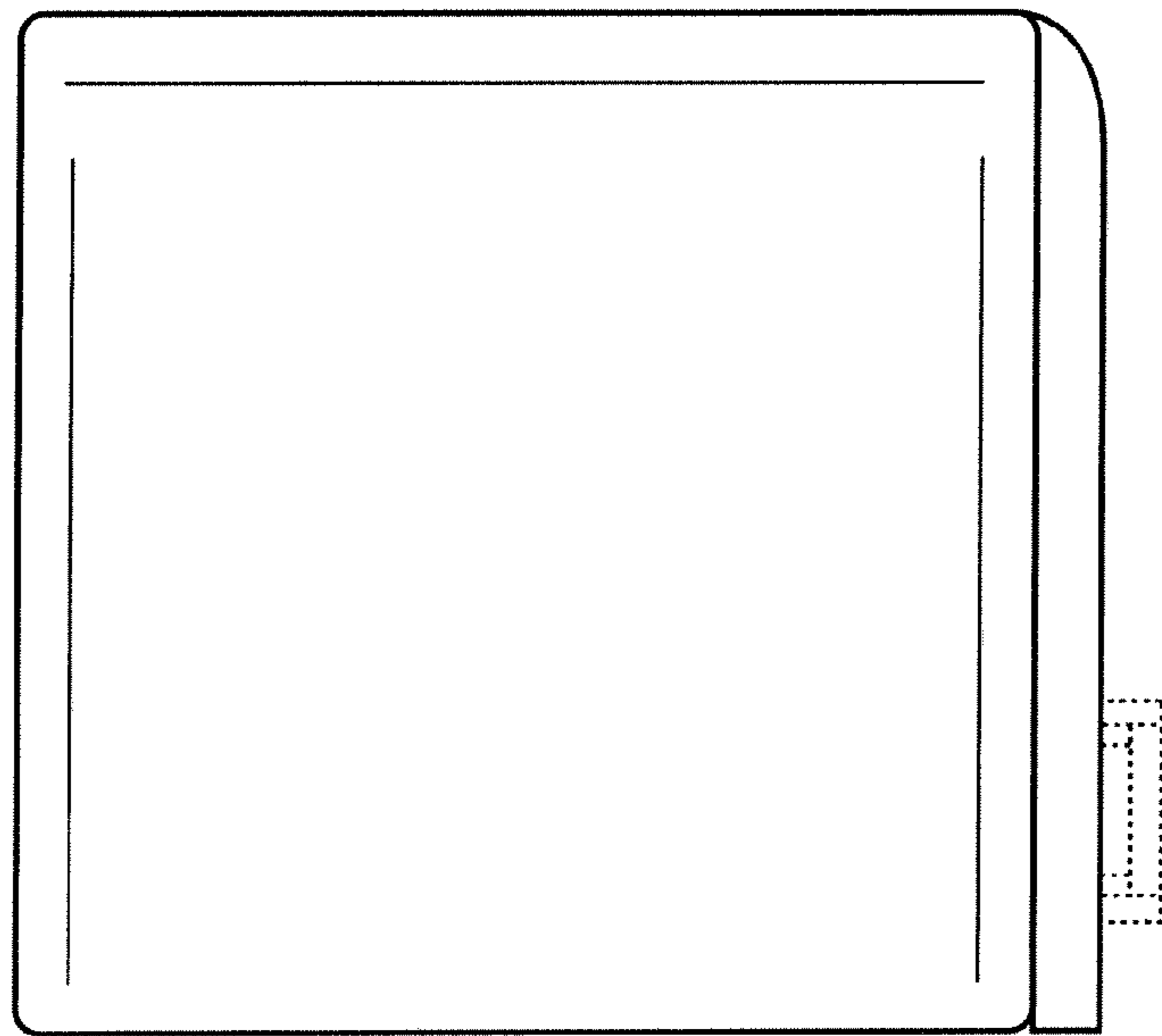


FIG. 7