



US00D714455S

(12) **United States Design Patent**  
**Gerber et al.**

(10) **Patent No.:** **US D714,455 S**  
(45) **Date of Patent:** **\*\* Sep. 30, 2014**

- (54) **PORTABLE DIALYSIS CABINET**
- (71) Applicant: **Medtronic, Inc.**, Minneapolis, MN (US)
- (72) Inventors: **Martin Gerber**, Maple Grove, MN (US); **David Lura**, Maple Grove, MN (US); **Bryant Pudil**, Plymouth, MN (US); **Thomas Meyer**, Stillwater, MN (US); **Brian Mullins**, Minneapolis, MN (US)
- (73) Assignee: **Medtronic, Inc.**, Minneapolis, MN (US)
- (\*\*) Term: **14 Years**
- (21) Appl. No.: **29/446,281**
- (22) Filed: **Feb. 21, 2013**
- (51) **LOC (10) Cl.** ..... **24-00**
- (52) **U.S. Cl.**  
USPC ..... **D24/185**
- (58) **Field of Classification Search**  
USPC ..... D24/185, 186, 144, 160, 167-169, 172, D24/200, 158, 164; D34/12, 14; 312/22, 312/109, 209, 223.1, 286, 249.8, 249.12; 248/282.1; 600/437, 443, 459  
See application file for complete search history.

5,465,841 A *	11/1995	Wilson et al.	.....	206/366
D415,328 S *	10/1999	Uehara et al.	.....	D34/19
D598,109 S	8/2009	Collins et al.		
D609,350 S	2/2010	Hickey et al.		
D613,411 S	4/2010	Collins et al.		
D629,906 S	12/2010	Hickey et al.		
D631,548 S	1/2011	McGill et al.		
D637,293 S	5/2011	Hickey et al.		
D639,930 S	6/2011	Collins et al.		
D646,392 S	10/2011	Collins et al.		
D650,063 S	12/2011	Collins et al.		
D663,844 S	7/2012	McGill et al.		
D664,255 S	7/2012	Hickey et al.		
D664,660 S	7/2012	Hickey et al.		
D675,727 S	2/2013	Collins et al.		
2007/0138922 A1 *	6/2007	Frederick et al.	.....	312/109

\* cited by examiner

*Primary Examiner* — Ian Simmons  
*Assistant Examiner* — Rhea Shields

(74) *Attorney, Agent, or Firm* — Hahn & Voight PLLC; Roger C. Hahn

(57) **CLAIM**

We claim the ornamental design for a portable dialysis cabinet, as shown and described.

**DESCRIPTION**

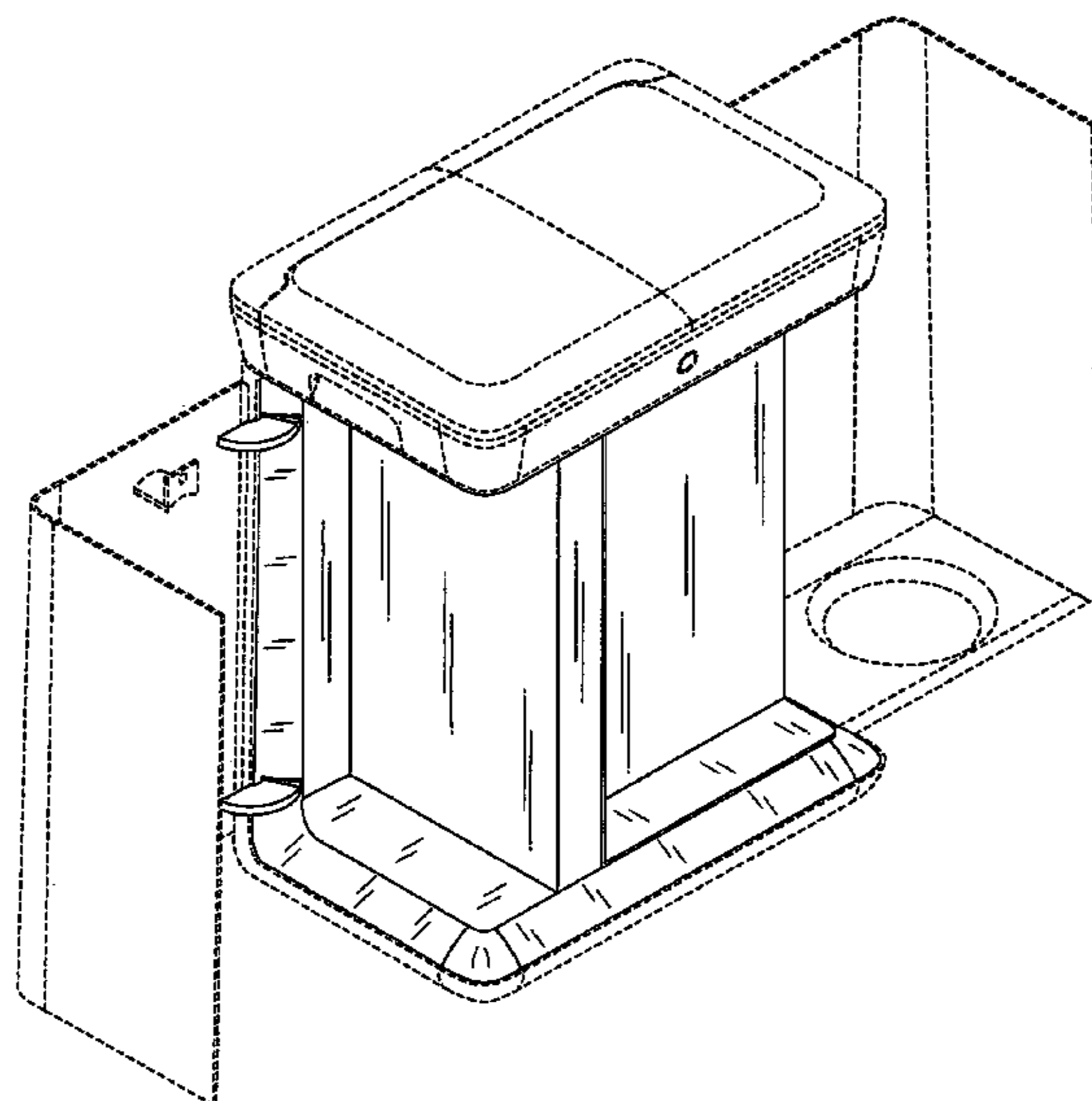
FIG. 1 is a perspective view of a portable dialysis cabinet; FIG. 2 is a front view of the portable dialysis cabinet referenced in FIG. 1; FIG. 3 is a left side view of the portable dialysis cabinet referenced in FIG. 1; and, FIG. 4 is a right side view of the portable dialysis cabinet referenced in FIG. 1. In the drawings, the broken lines depict unclaimed subject matter only and form no part of the claimed design.

**1 Claim, 4 Drawing Sheets**

(56) **References Cited**

U.S. PATENT DOCUMENTS

D86,687 S *	4/1932	Prouty	.....	D24/185
D101,605 S *	10/1936	Anderson	.....	D24/200
D263,573 S *	3/1982	Ingledew	.....	D34/14
D273,717 S *	5/1984	McCombs	.....	D24/164
D319,308 S *	8/1991	Royse et al.	.....	D24/185
5,113,546 A *	5/1992	Parent	.....	15/315
D332,855 S *	1/1993	Royse et al.	.....	D34/19



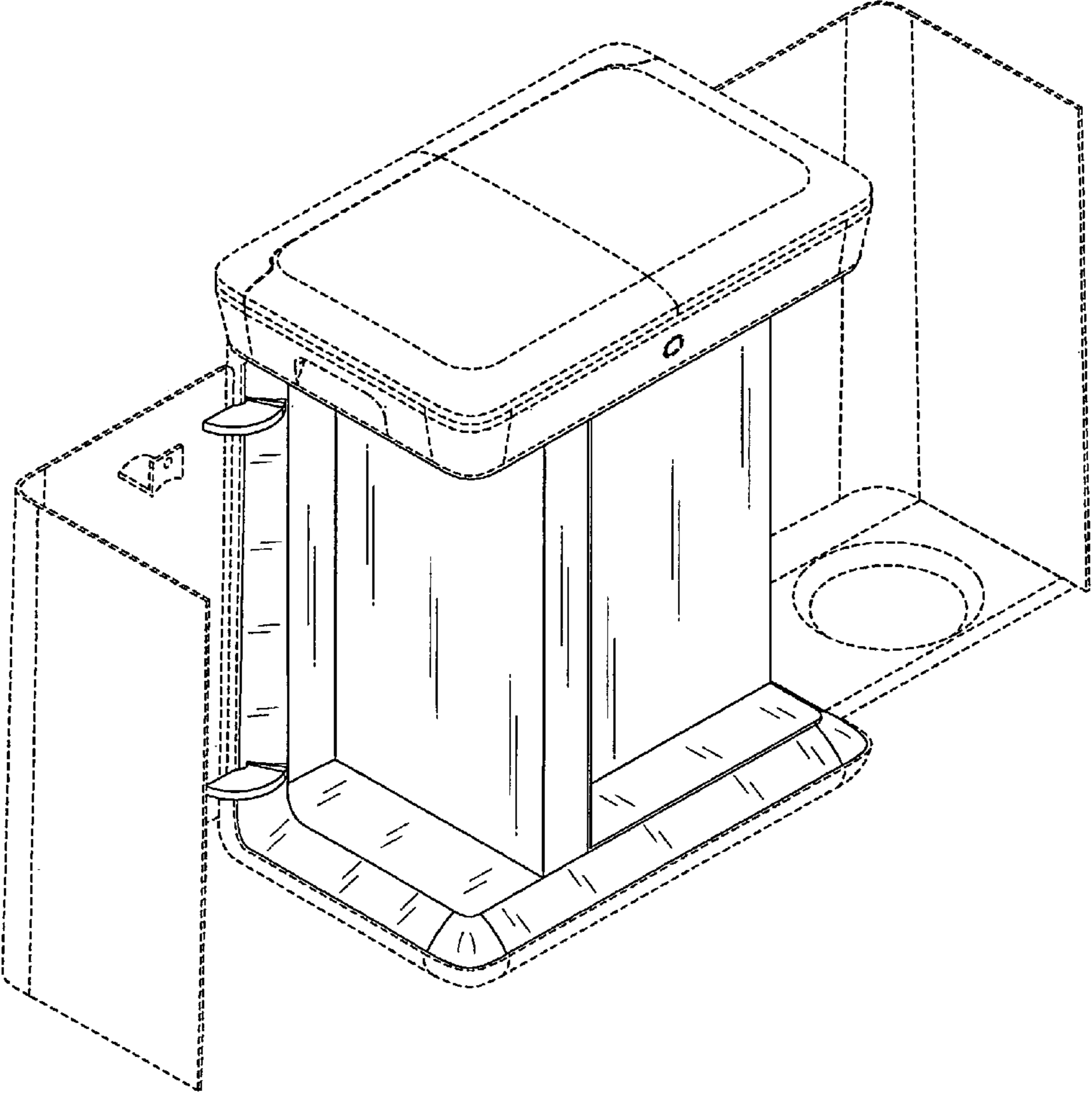


FIG. 1

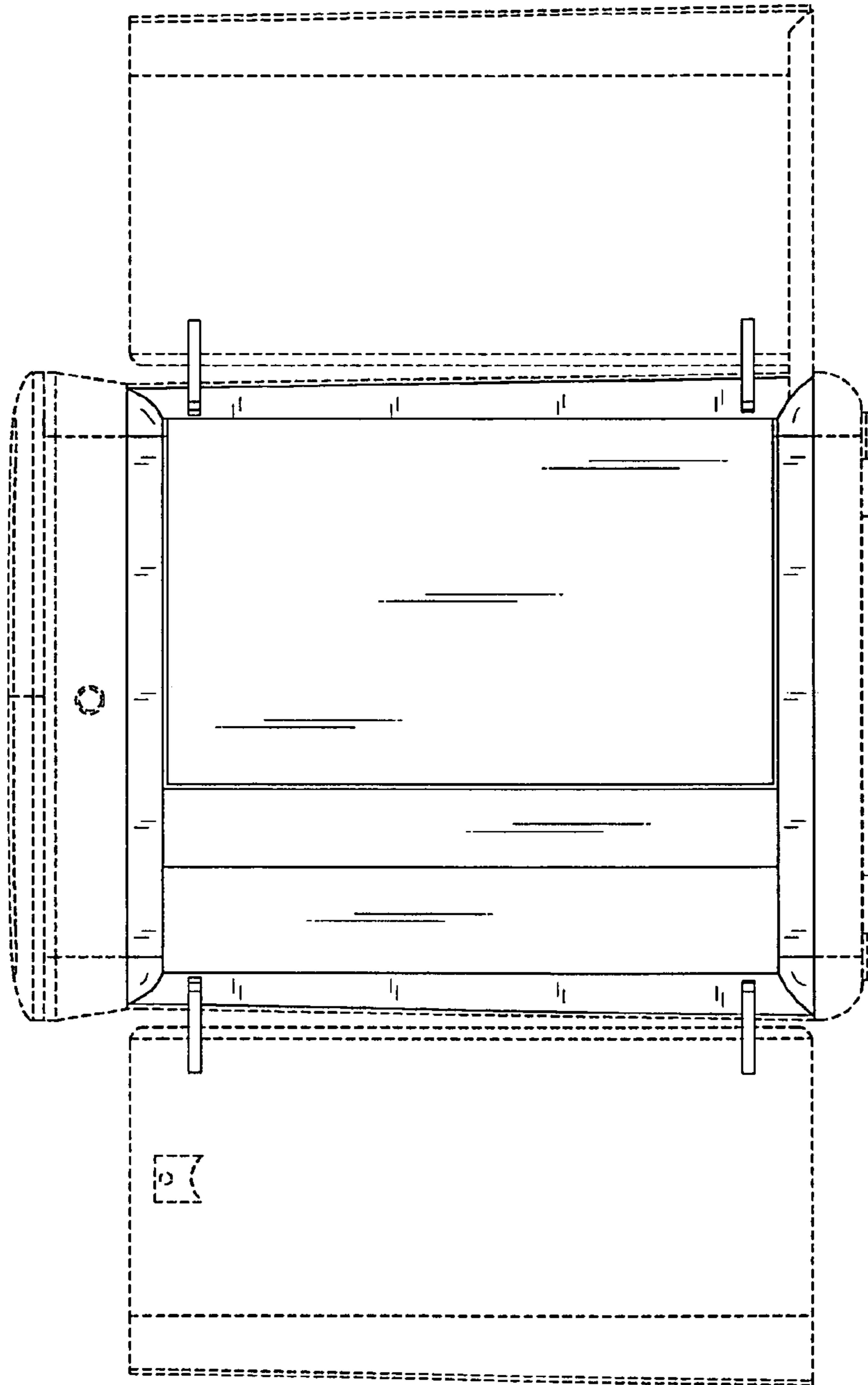
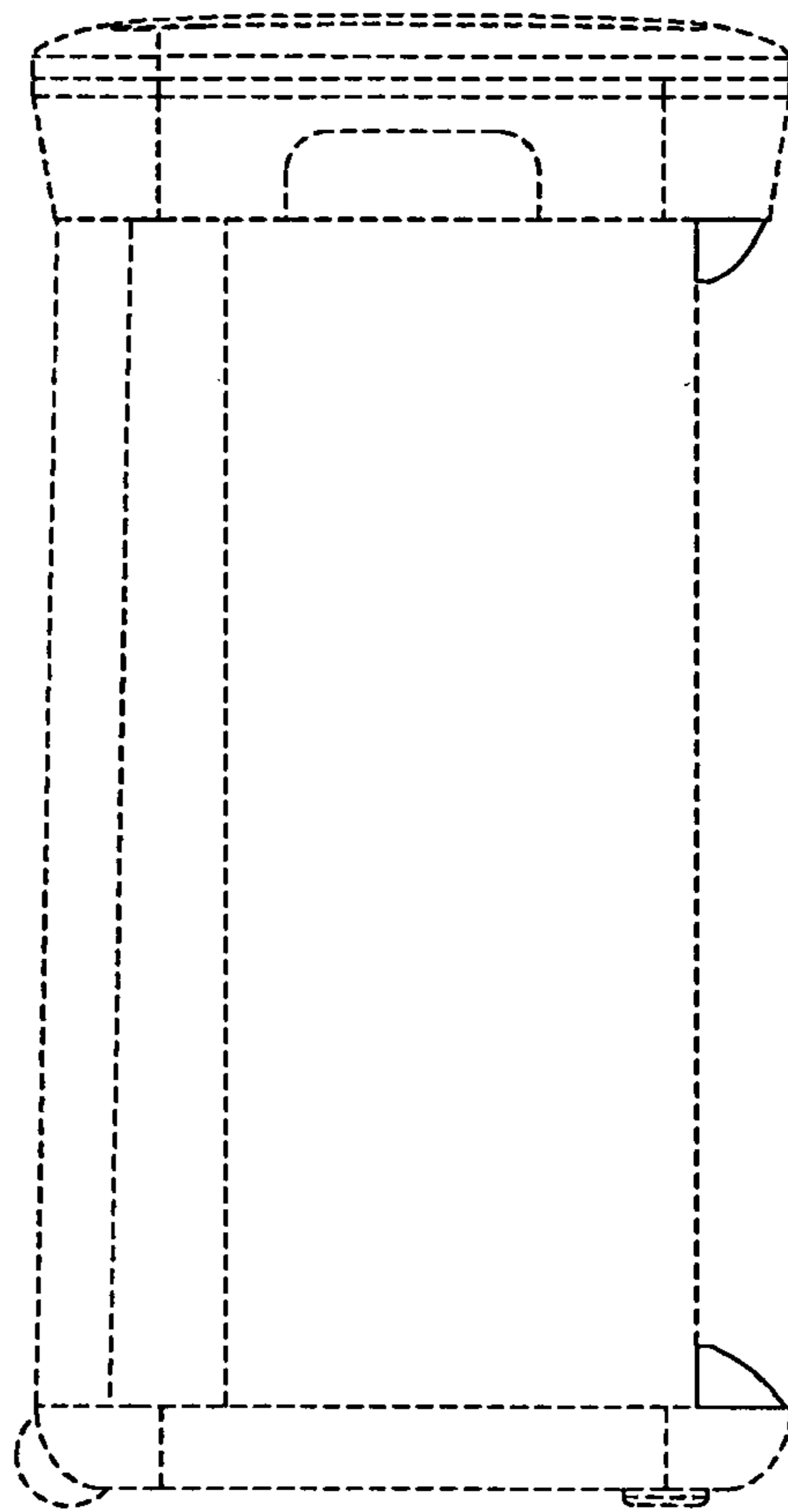
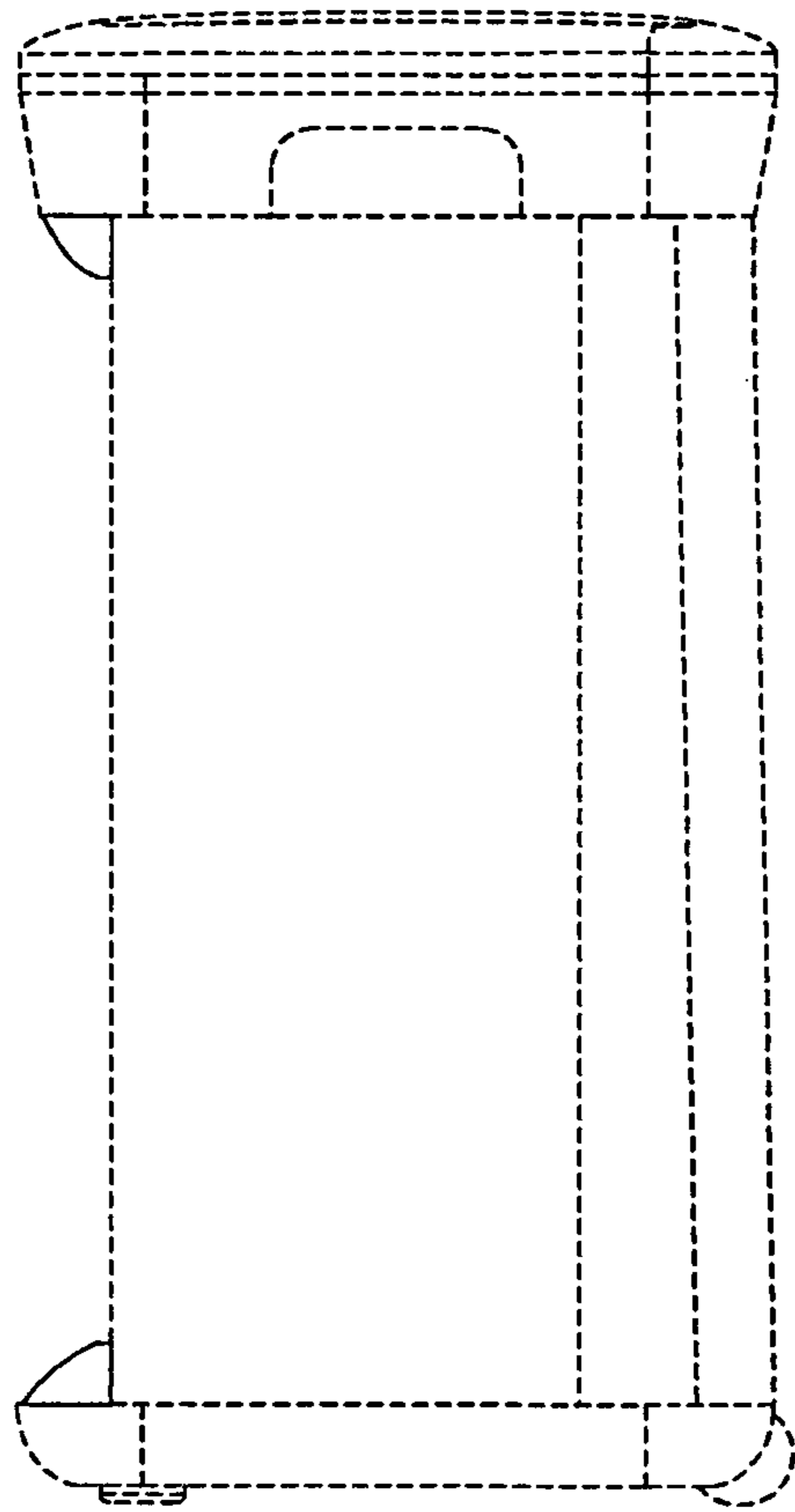


FIG. 2



**FIG. 3**



**FIG. 4**