



US00D714451S

(12) **United States Design Patent**
Park et al.

(10) **Patent No.:** **US D714,451 S**

(45) **Date of Patent:** **** Sep. 30, 2014**

(54) **MAGNETIC RESONANCE IMAGING (MRI)**

(56) **References Cited**

(71) Applicant: **Samsung Electronics Co., Ltd.**,
Suwon-si (KR)

(72) Inventors: **Jin-Soo Park**, Seoul (KR); **Yun-Su Kim**, Seoul (KR); **Jung-Hoon Kim**, Seoul (KR); **Sung-Woo Sul**, Yonging-si (AU); **Yeon-Moo Chung**, Seoul (KR)

(73) Assignee: **Samsung Electronics Co., Ltd.**,
Suwon-si (KR)

U.S. PATENT DOCUMENTS

D557,418 S *	12/2007	Onuma et al.	D24/158
7,612,562 B2 *	11/2009	Yasuhara	324/318
D623,299 S *	9/2010	Dietz	D24/158
D628,294 S *	11/2010	Baba	D24/158
D639,953 S *	6/2011	Wodecki	D24/159
D659,248 S *	5/2012	Ramos	D24/159
D681,815 S *	5/2013	Ninomiya et al.	D24/158
D683,025 S *	5/2013	Banryu	D24/158
D701,310 S *	3/2014	Ohmukai	D24/158
D701,311 S *	3/2014	Ohmukai	D24/158
D703,321 S *	4/2014	Wodecki	D24/158

* cited by examiner

(**) Term: **14 Years**

Primary Examiner — Anhdao Doan
(74) *Attorney, Agent, or Firm* — NSIP Law

(21) Appl. No.: **29/471,638**

(57) **CLAIM**
The ornamental design for a magnetic resonance imaging (MRI), as shown and described.

(22) Filed: **Nov. 4, 2013**

DESCRIPTION

(30) **Foreign Application Priority Data**

May 9, 2013 (KR) 30-2013-0024534

(51) **LOC (10) Cl.** **24-01**

(52) **U.S. Cl.**
USPC **D24/159**

(58) **Field of Classification Search**
USPC D24/158-161, 185, 186; 378/4, 15, 17,
378/21, 23-27, 62, 68, 196-198; 600/410,
600/421, 422

See application file for complete search history.

1 Claim, 6 Drawing Sheets

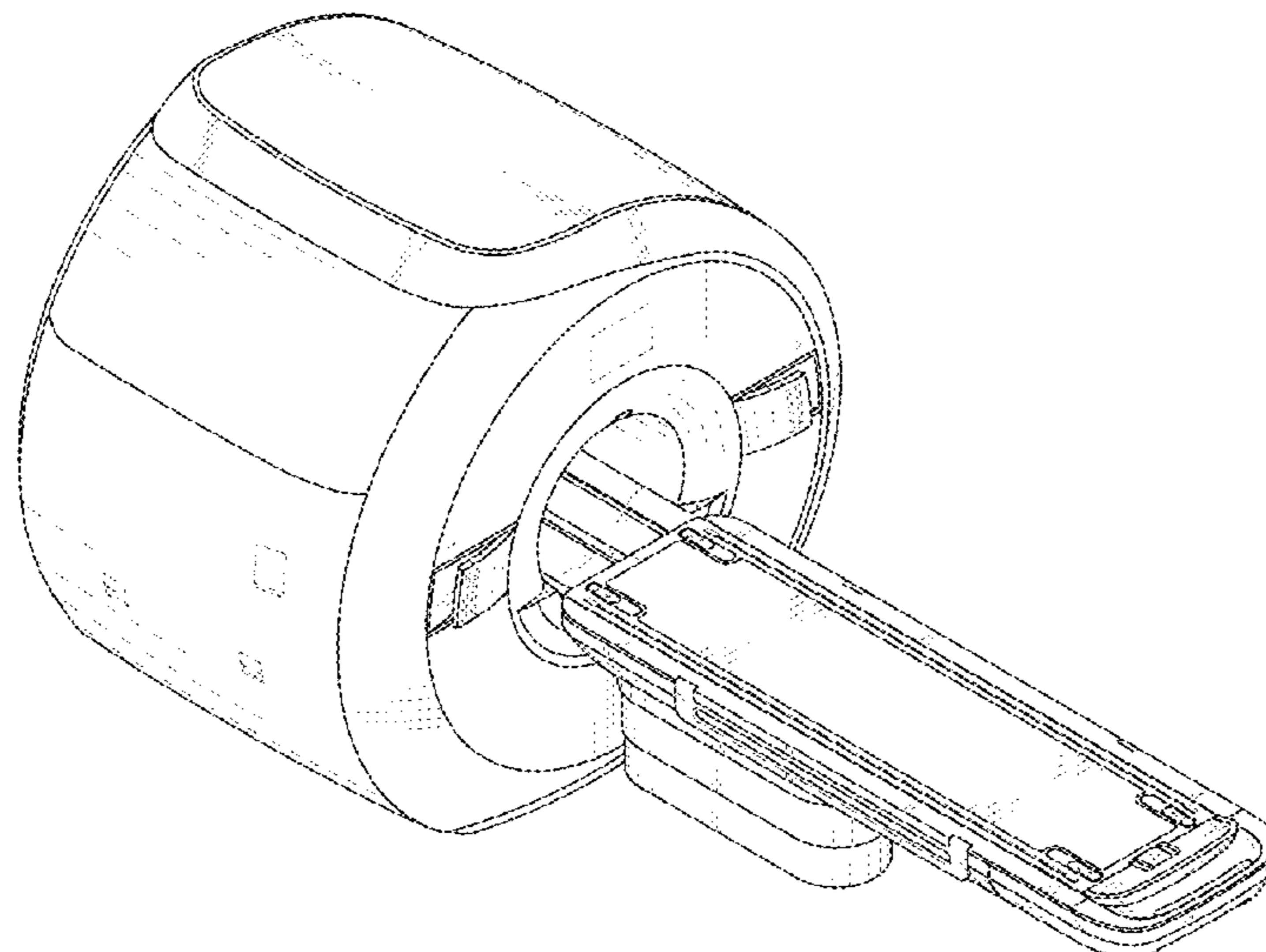


FIG. 1

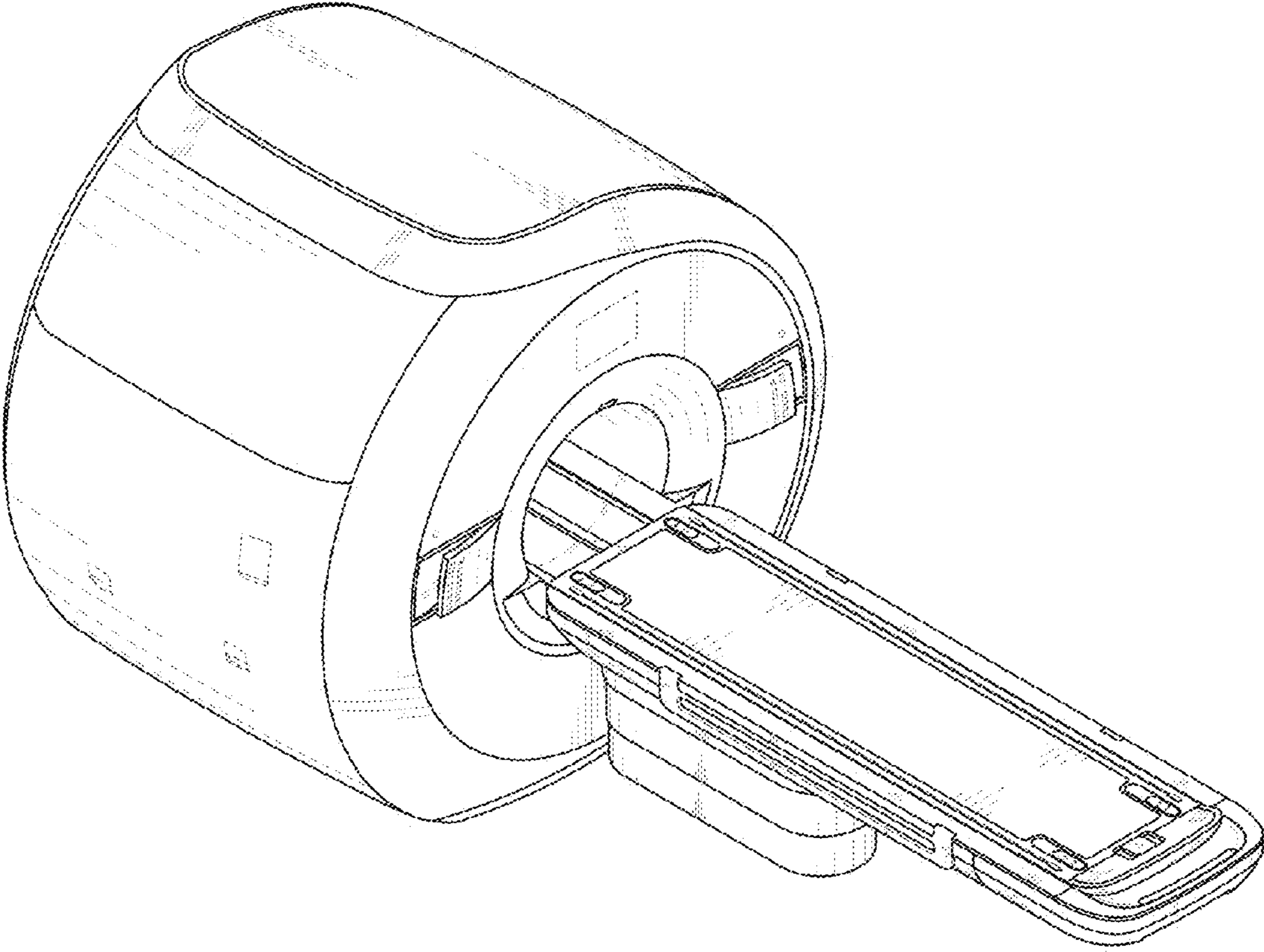


FIG.2

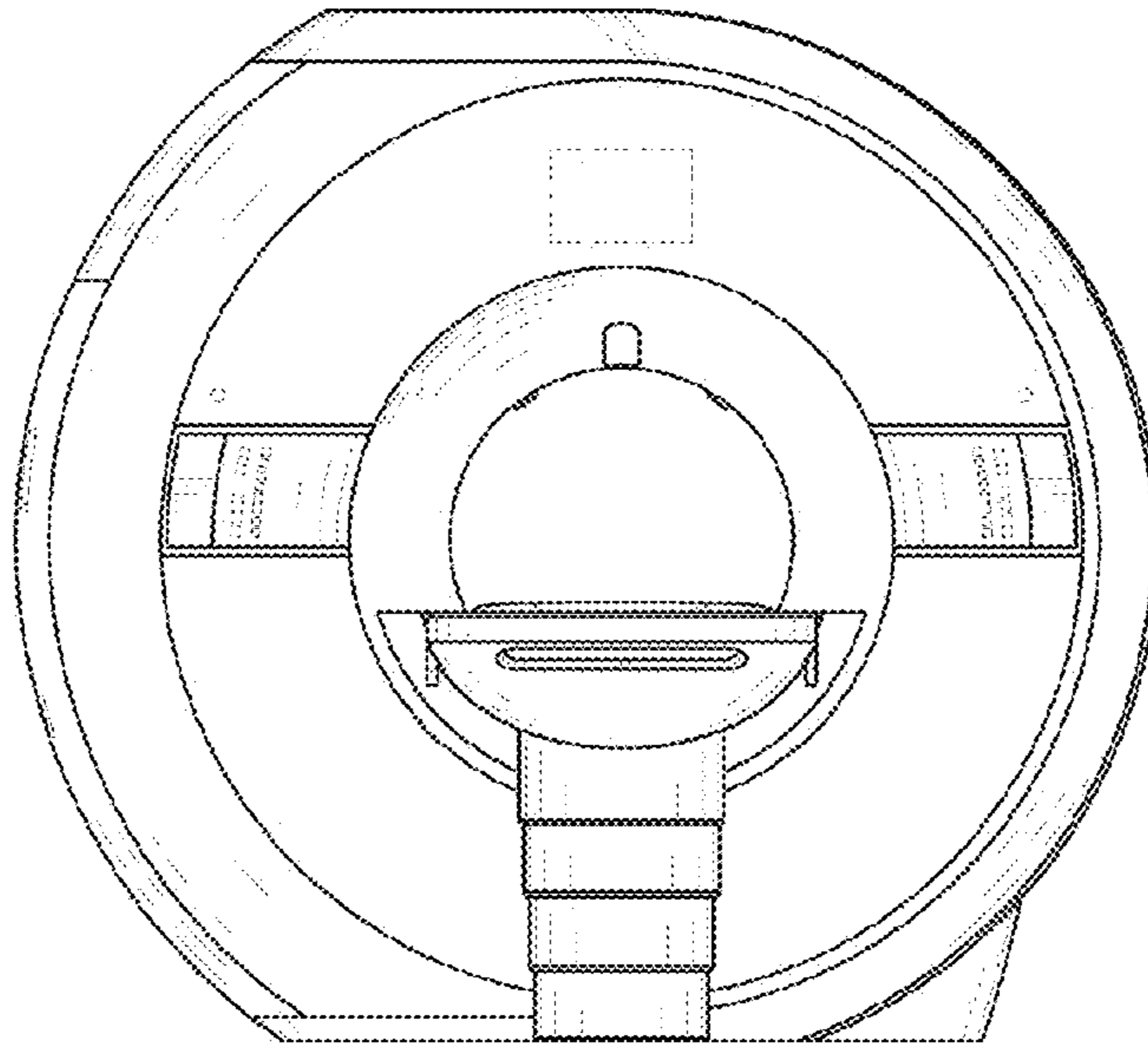


FIG.3

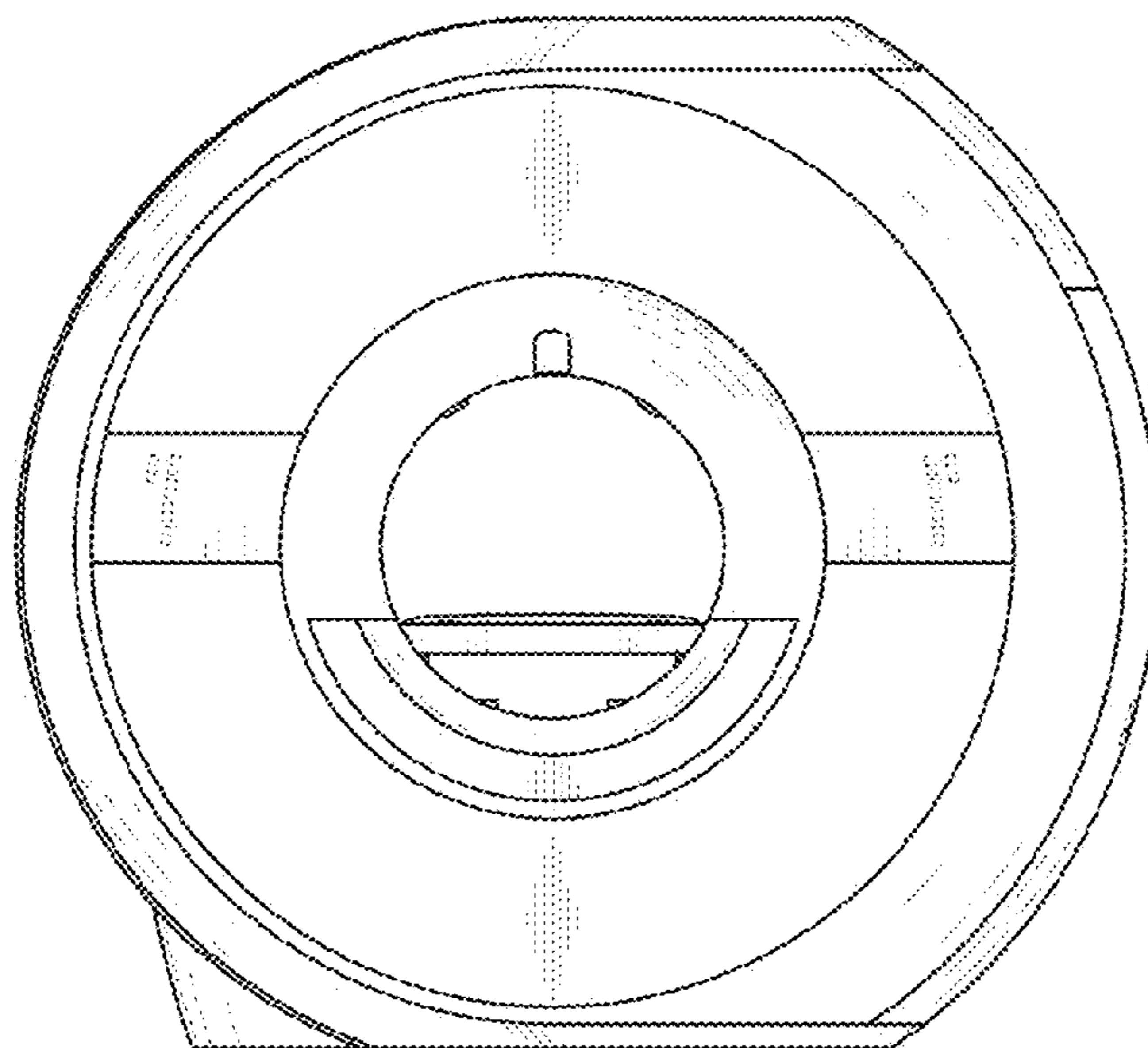


FIG. 4

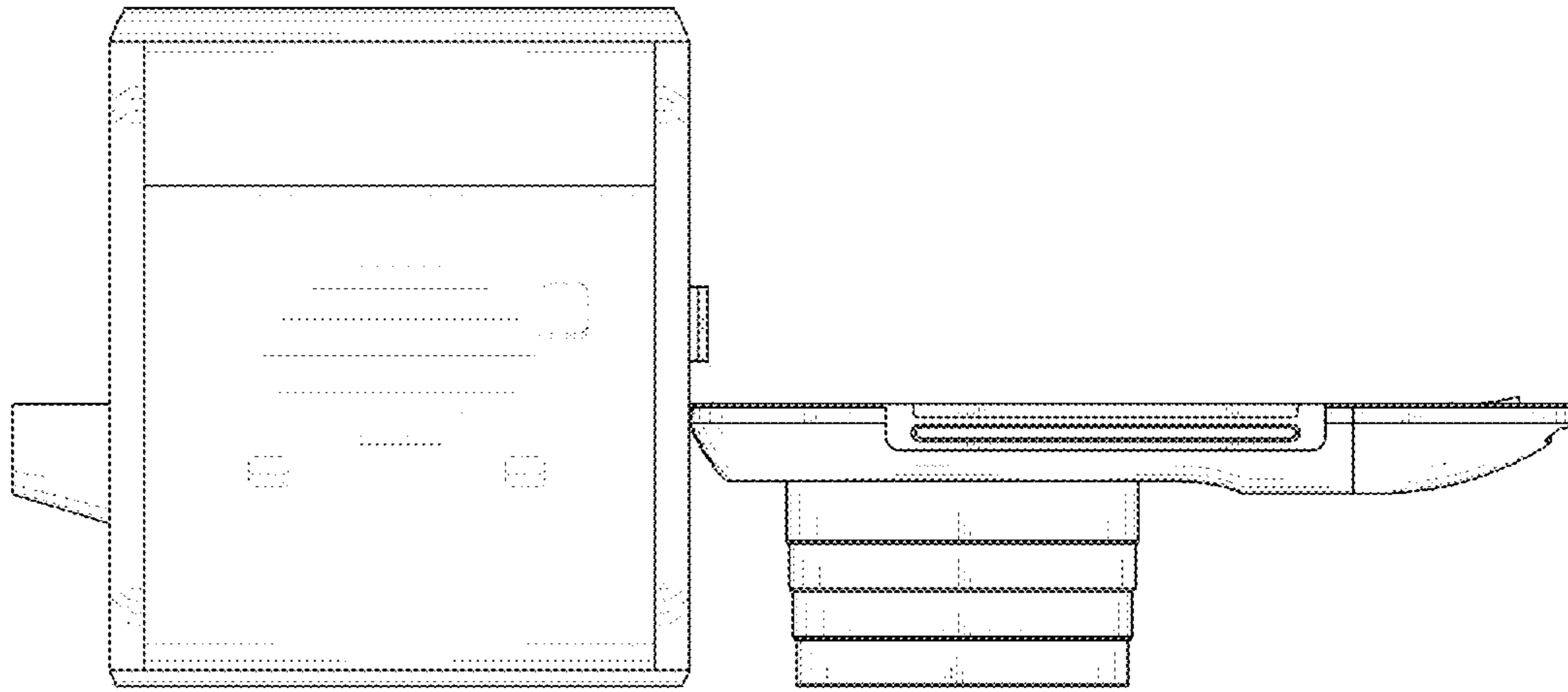


FIG. 5

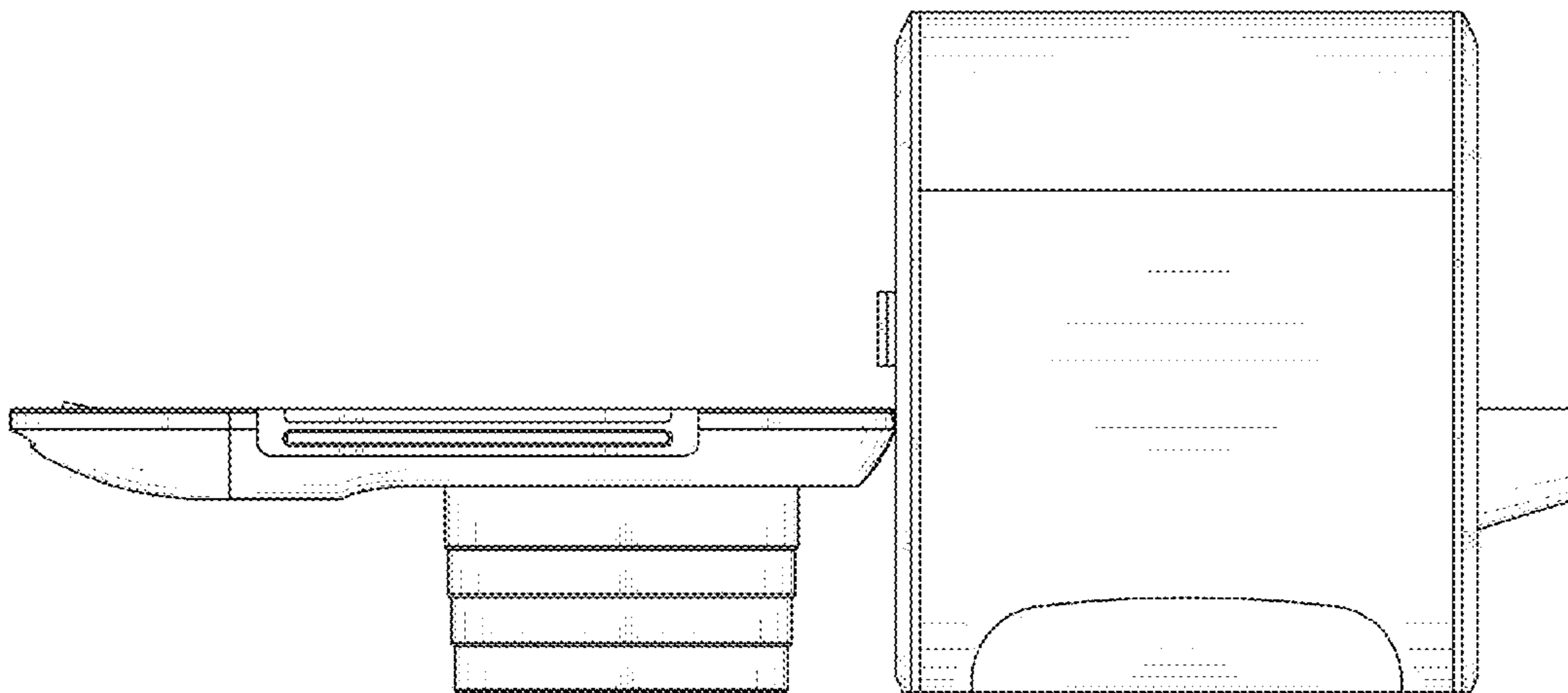


FIG. 6

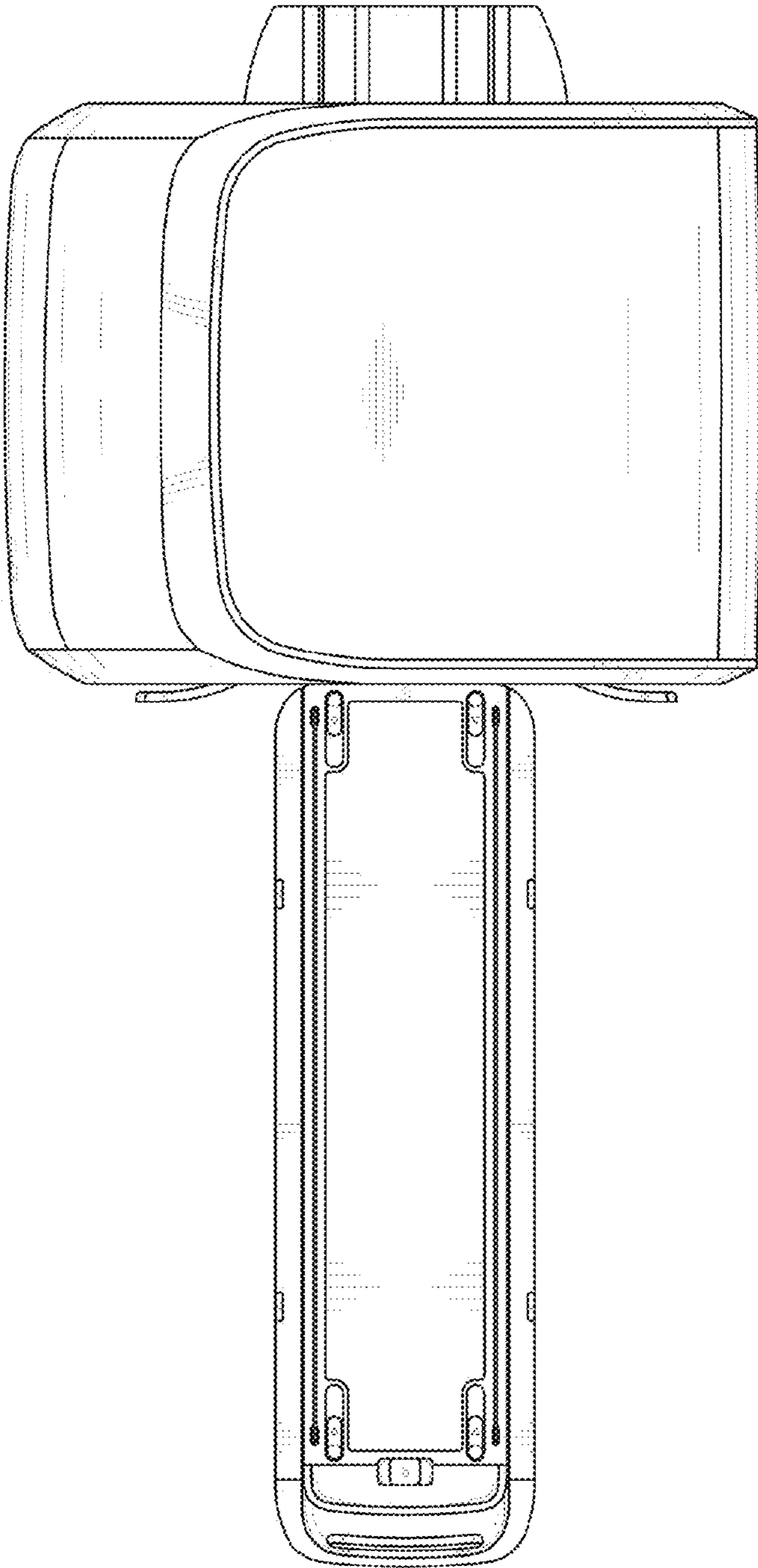


FIG. 7

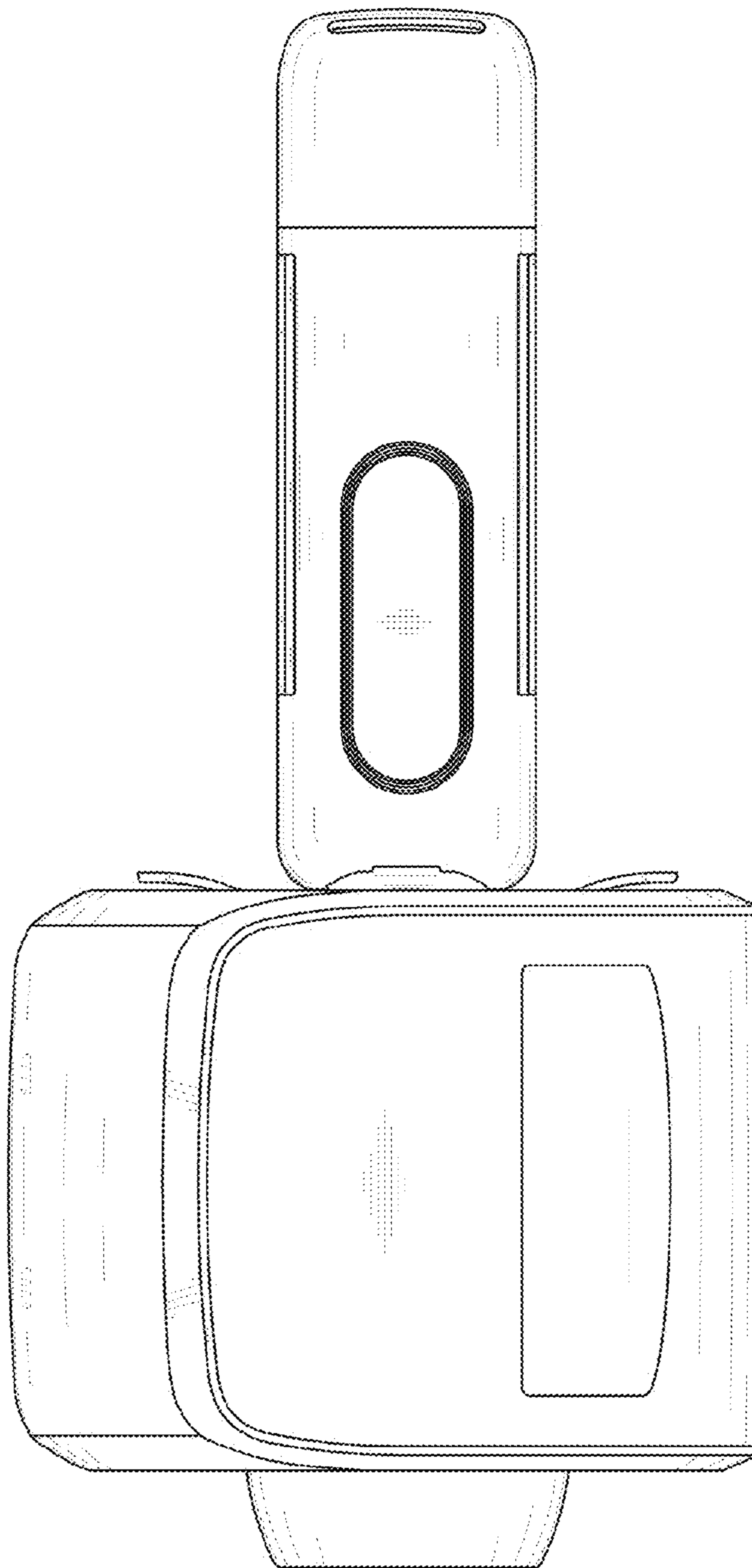


FIG. 8

