



US00D714450S

(12) **United States Design Patent**
Park et al.

(10) **Patent No.:** **US D714,450 S**

(45) **Date of Patent:** **** Sep. 30, 2014**

(54) **SCANNER FOR MAGNETIC RESONANCE
IMAGING (MRI)**

(56) **References Cited**

U.S. PATENT DOCUMENTS

(71) Applicant: **Samsung Electronics Co., Ltd.,**
Suwon-si (KR)

(72) Inventors: **Jin-Soo Park**, Seoul (KR); **Yun-Su
Kim**, Seoul (KR); **Jung-Hoon Kim**,
Seoul (KR); **Sung-Woo Sul**, Yongin-si
(KR)

D557,418	S	*	12/2007	Onuma et al.	D24/158
7,612,562	B2	*	11/2009	Yasuhara	324/318
D623,299	S	*	9/2010	Dietz	D24/158
D628,294	S	*	11/2010	Baba	D24/158
D639,953	S	*	6/2011	Wodecki	D24/159
D659,248	S	*	5/2012	Ramos	D24/159
D681,815	S	*	5/2013	Ninomiya et al.	D24/158
D683,025	S	*	5/2013	Banryu	D24/158
D701,310	S	*	3/2014	Ohmukai	D24/158
D701,311	S	*	3/2014	Ohmukai	D24/158
D703,321	S	*	4/2014	Wodecki	D24/158

(73) Assignee: **Samsung Electronics Co., Ltd.,**
Suwon-si (KR)

* cited by examiner

Primary Examiner — Anhdao Doan

(**) Term: **14 Years**

(74) *Attorney, Agent, or Firm* — NSIP Law

(21) Appl. No.: **29/471,635**

(57) **CLAIM**

The ornamental design for a scanner for magnetic resonance imaging (MRI), as shown and described.

(22) Filed: **Nov. 4, 2013**

DESCRIPTION

(30) **Foreign Application Priority Data**

May 9, 2013 (KR) 30-2013-0024535

(51) **LOC (10) Cl.** **24-01**

(52) **U.S. Cl.**
USPC **D24/158**

(58) **Field of Classification Search**
USPC D24/158-161, 185, 186; 378/4, 15, 17,
378/21, 23-27, 62, 68, 196-198; 600/410,
600/421, 422

FIG. 1 is a front perspective view of a scanner for magnetic resonance imaging (MRI) showing our new design;
FIG. 2 is a front view thereof;
FIG. 3 is a rear view thereof;
FIG. 4 is a left-side view thereof;
FIG. 5 is a right-side view thereof;
FIG. 6 is a top view thereof;
FIG. 7 is a bottom view thereof;
FIG. 8 is another front perspective view of the scanner for magnetic resonance imaging (MRI) in an environment in which it may be used; and,
FIG. 9 is a rear perspective view of FIG. 1.
The broken lines are for environmental purposes only and form no part of the claimed design.

See application file for complete search history.

1 Claim, 9 Drawing Sheets

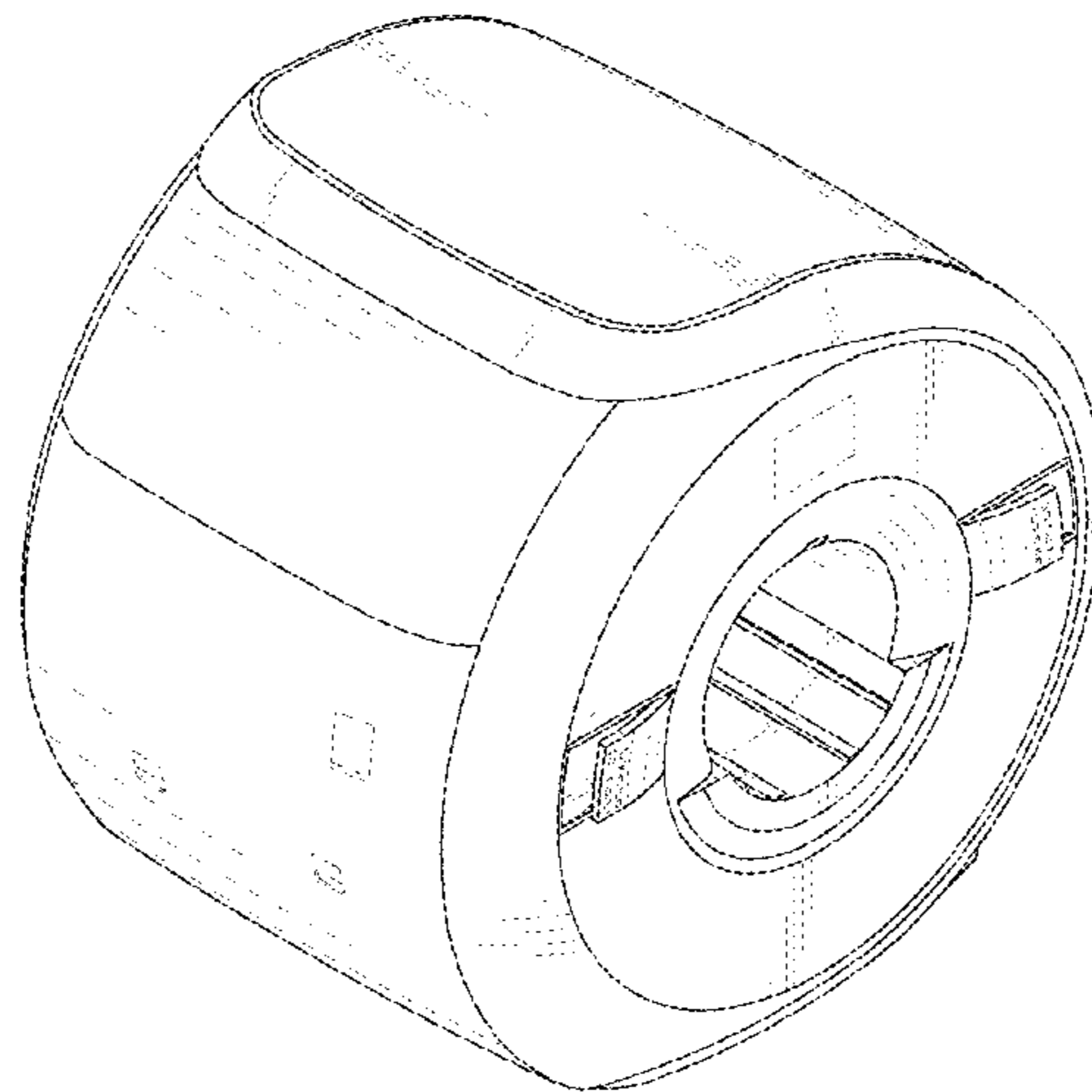


FIG. 1

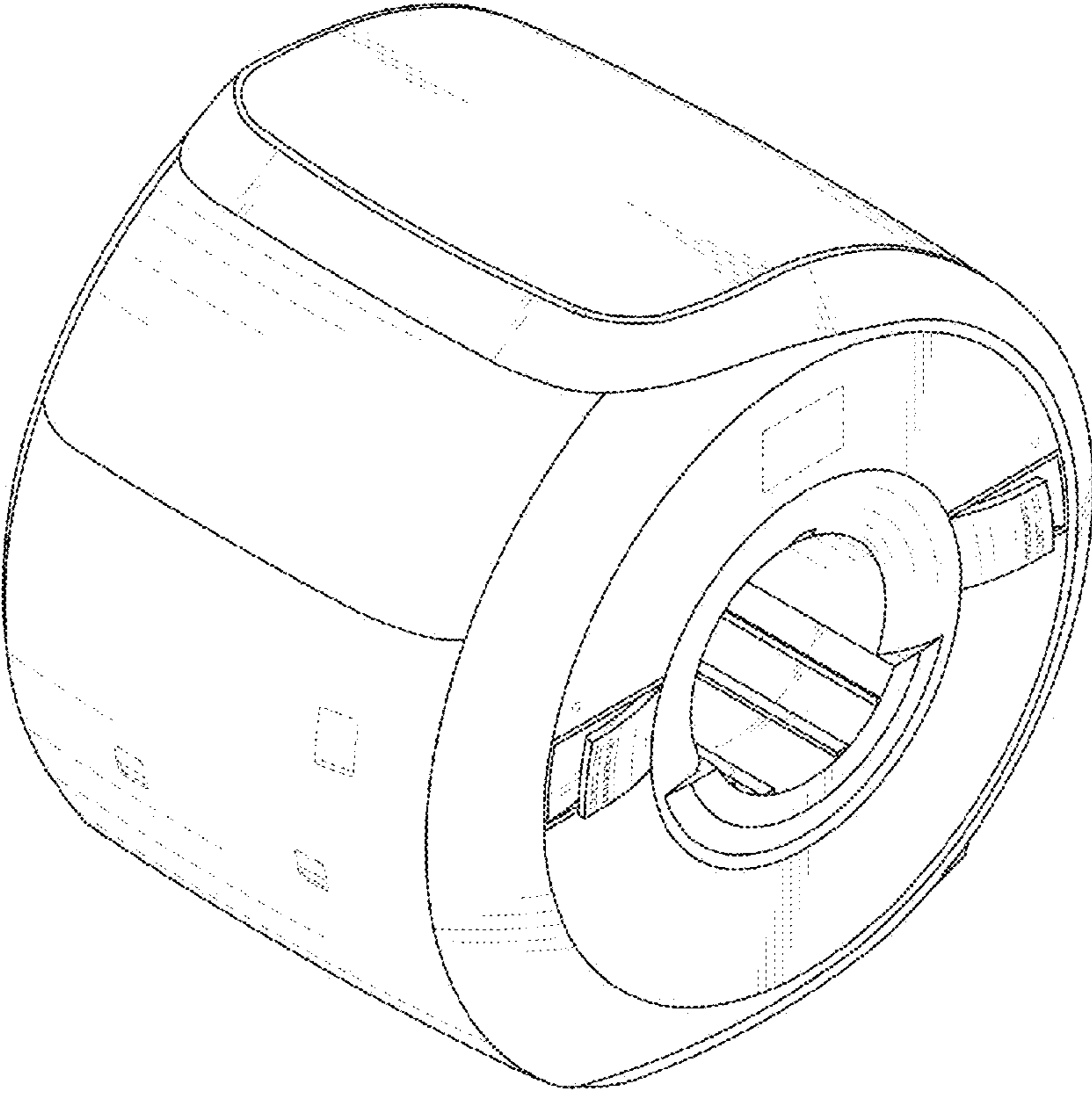


FIG.2

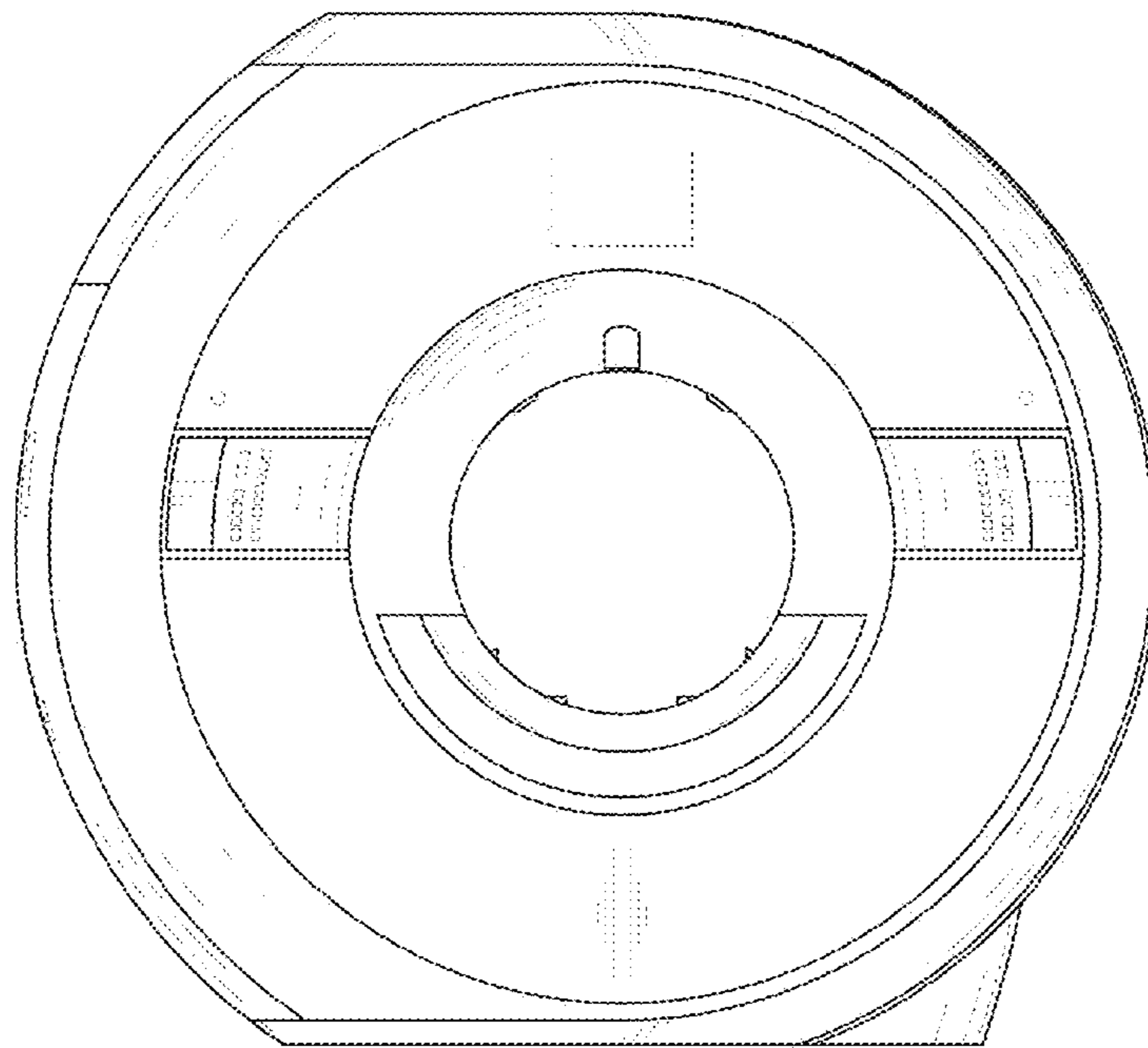


FIG. 3

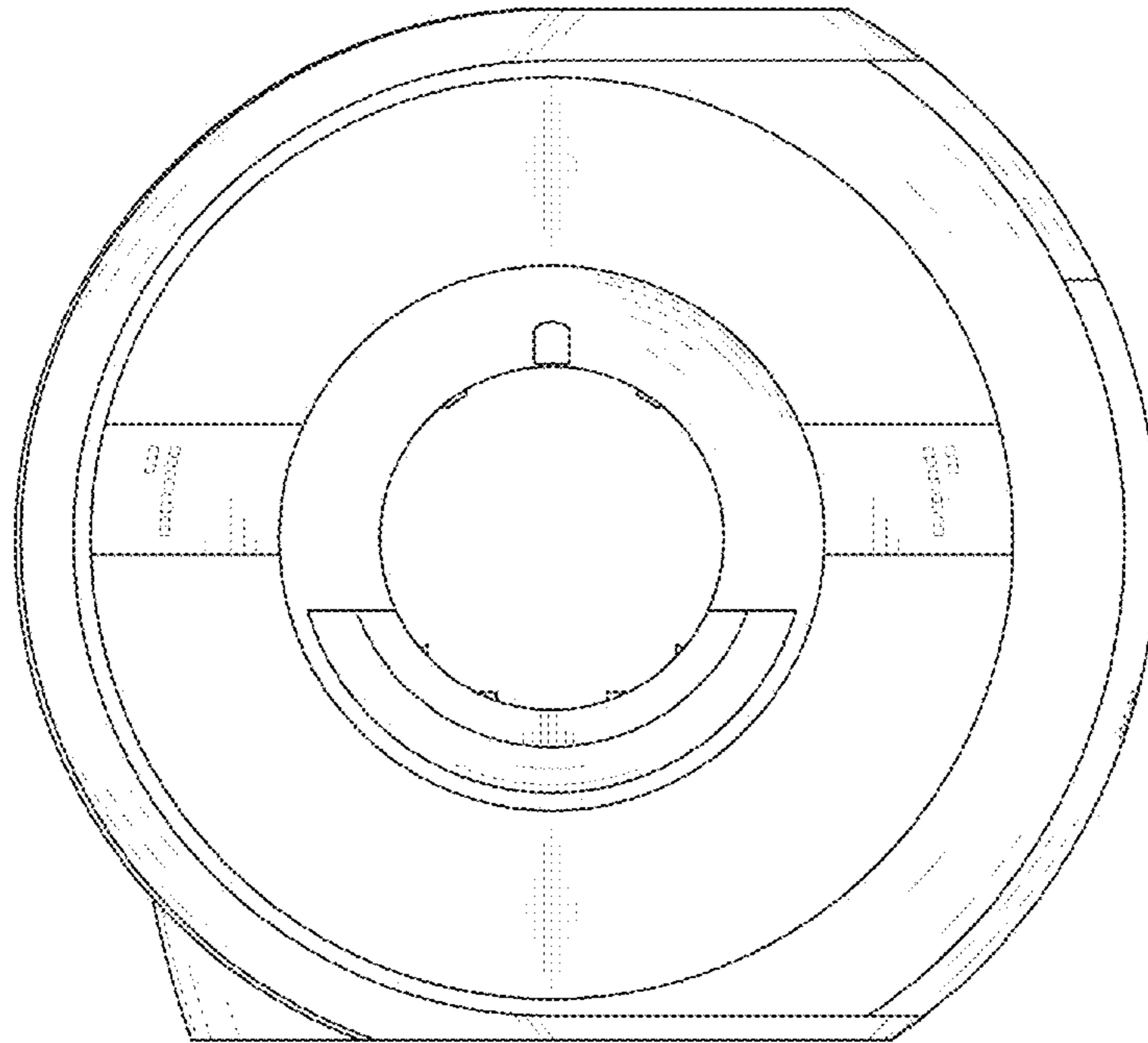


FIG. 4

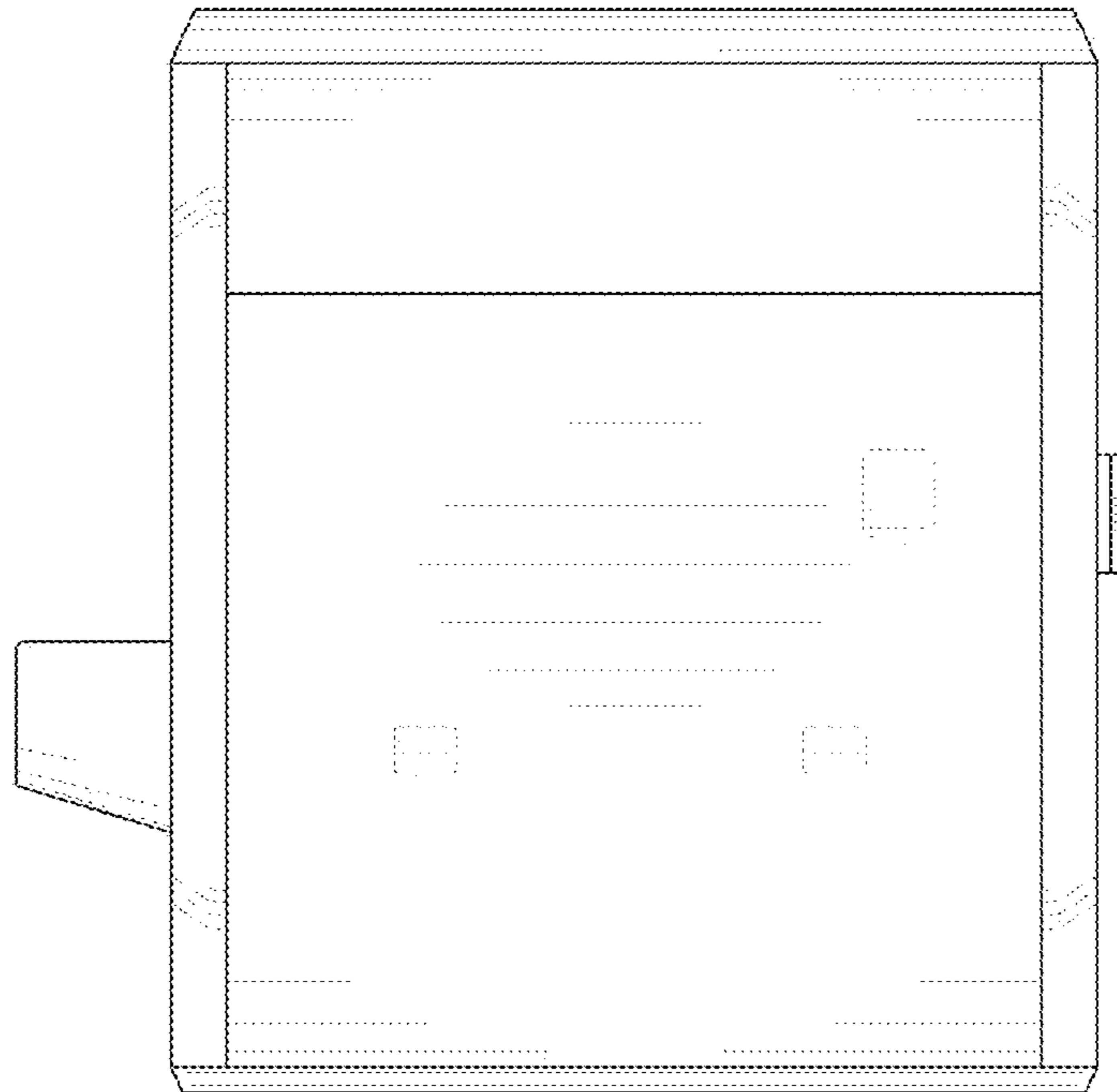


FIG. 5

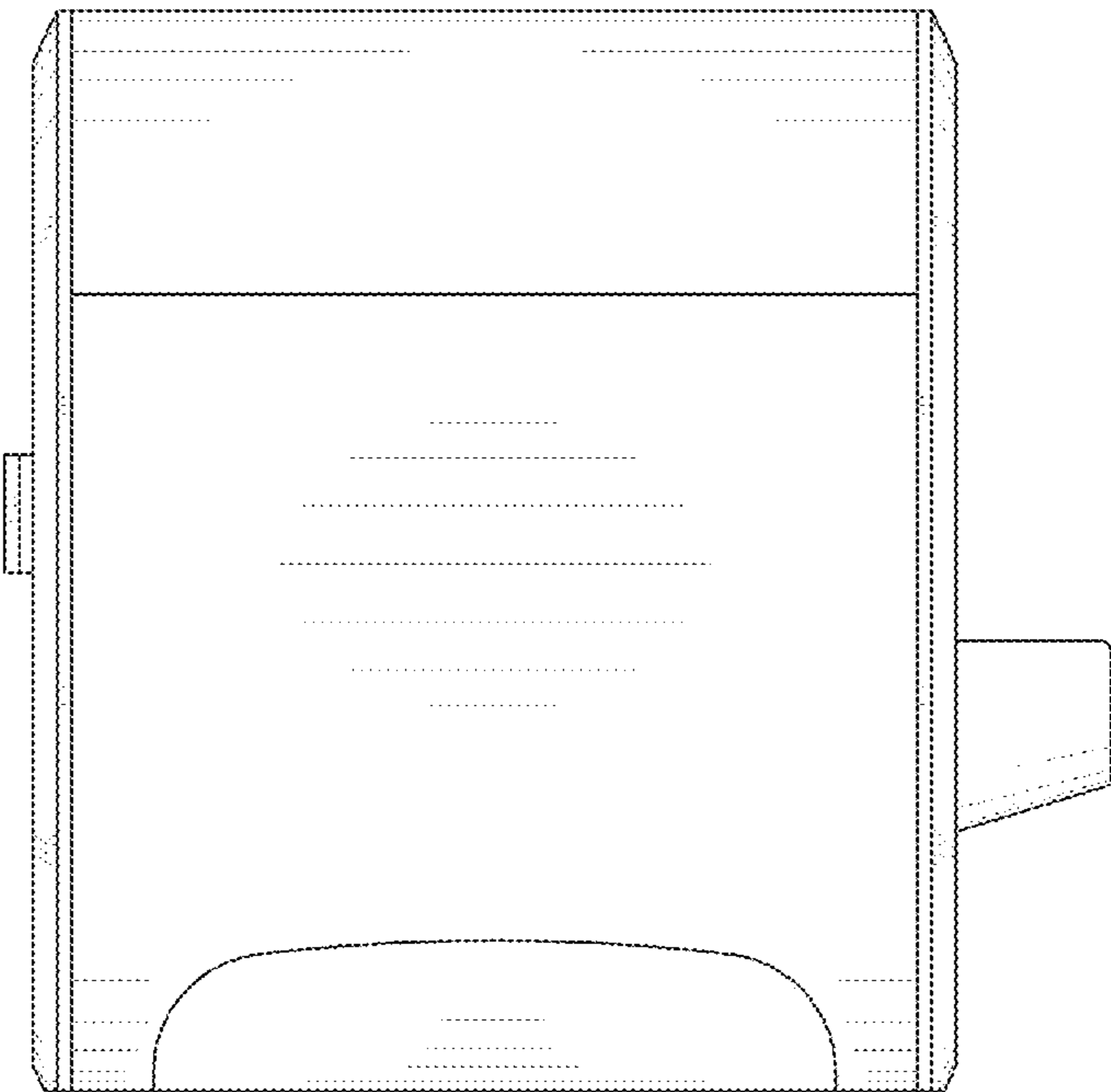


FIG. 6

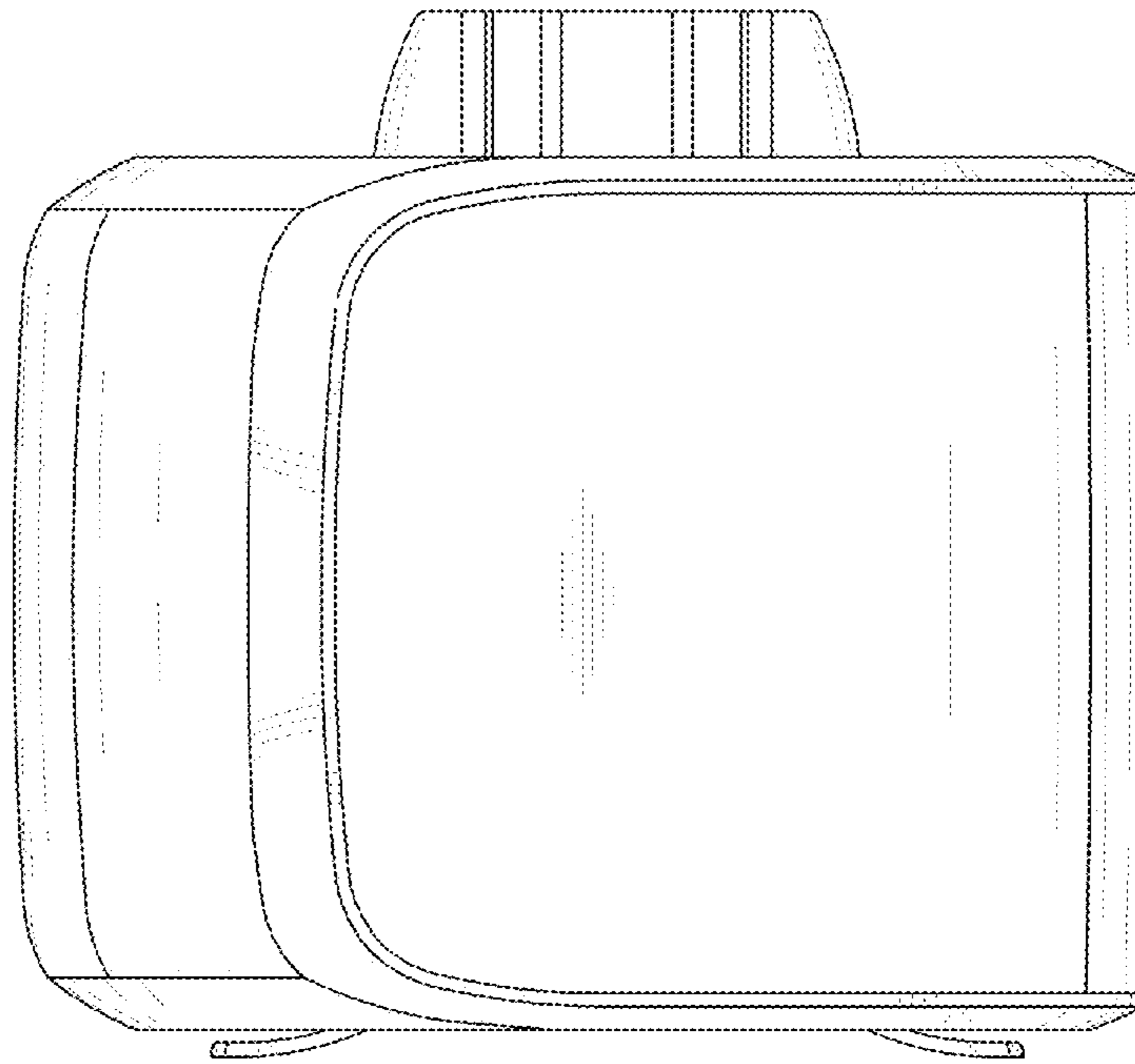


FIG. 7

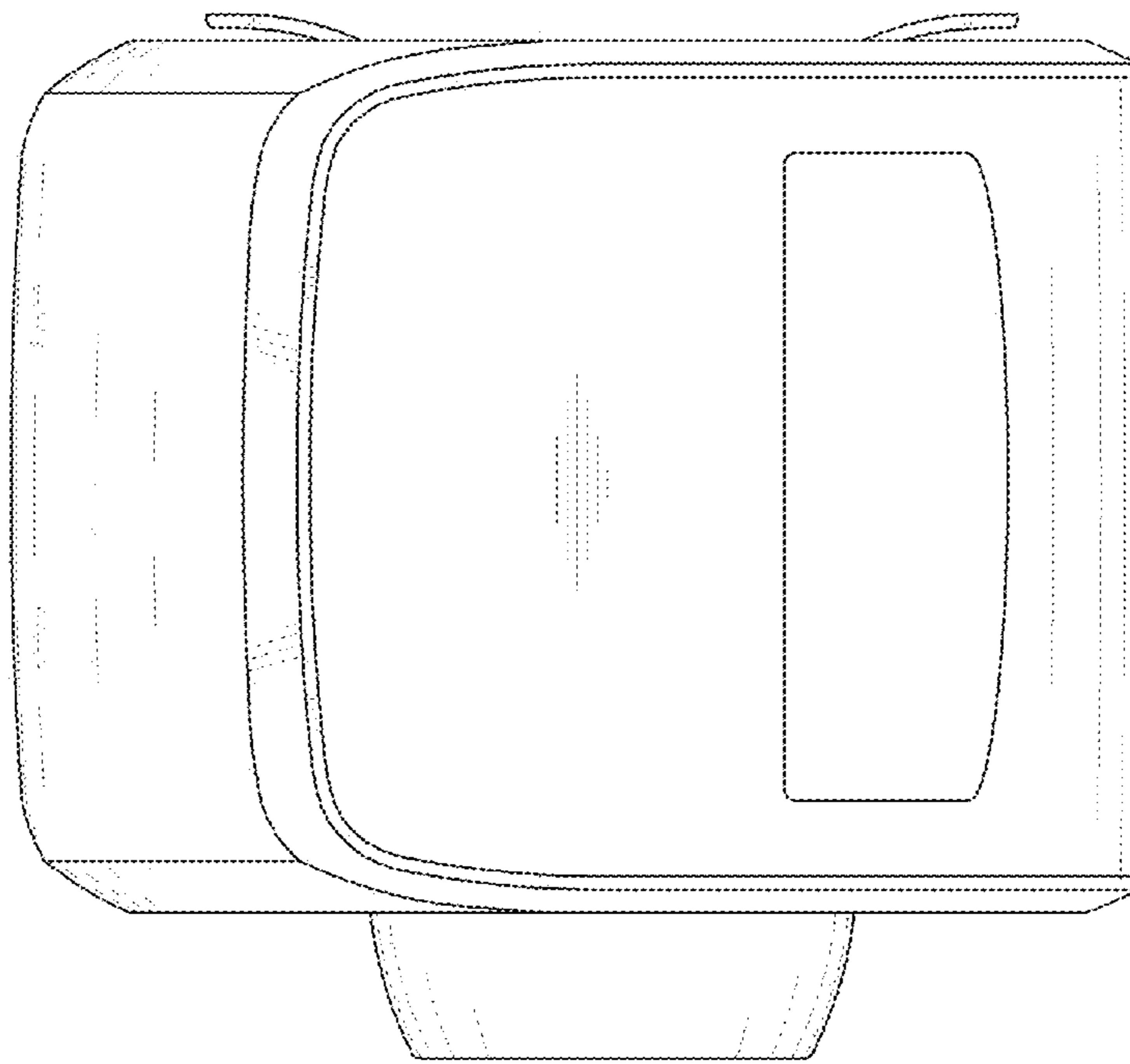


FIG. 8

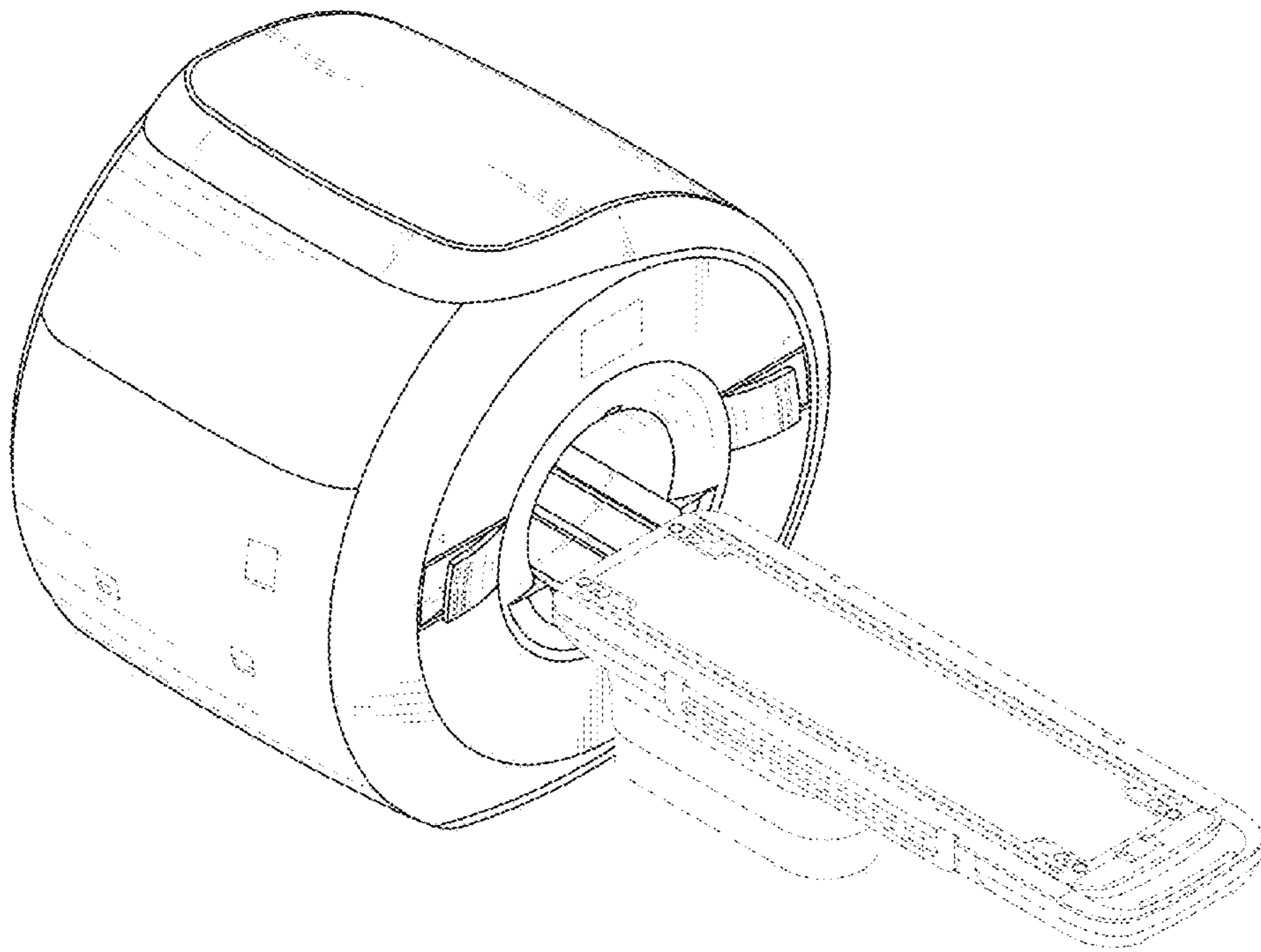


FIG. 9

