



US00D714449S

(12) **United States Design Patent**
Park et al.

(10) **Patent No.:** **US D714,449 S**

(45) **Date of Patent:** **** Sep. 30, 2014**

(54) **SCANNER FOR MAGNETIC RESONANCE
IMAGING (MRI)**

(71) Applicant: **Samsung Electronics Co., Ltd.**,
Suwon-si (KR)

(72) Inventors: **Jin-Soo Park**, Seoul (KR); **Yun-Su
Kim**, Seoul (KR); **Jung-Hoon Kim**,
Seoul (KR); **Sung-Woo Sul**, Yongin-si
(KR)

(73) Assignee: **Samsung Electronics Co., Ltd.**,
Suwon-si (KR)

(**) Term: **14 Years**

(21) Appl. No.: **29/471,628**

(22) Filed: **Nov. 4, 2013**

(30) **Foreign Application Priority Data**

May 9, 2013 (KR) 30 2013 0024537

(51) **LOC (10) Cl.** **24-01**

(52) **U.S. Cl.**
USPC **D24/158**

(58) **Field of Classification Search**
USPC D24/158-161, 185, 186; 378/4, 15, 17,
378/21, 23-27, 62, 68, 196-198; 600/410,
600/421, 422

See application file for complete search history.

(56) **References Cited**

U.S. PATENT DOCUMENTS

D557,418 S *	12/2007	Onuma et al.	D24/158
7,612,562 B2 *	11/2009	Yasuhara	324/318
D623,299 S *	9/2010	Dietz	D24/158
D628,294 S *	11/2010	Baba	D24/158
D639,953 S *	6/2011	Wodecki	D24/159
D659,248 S *	5/2012	Ramos	D24/159
D681,815 S *	5/2013	Ninomiya et al.	D24/158
D683,025 S *	5/2013	Banryu	D24/158
D701,310 S *	3/2014	Ohmukai	D24/158
D701,311 S *	3/2014	Ohmukai	D24/158
D703,321 S *	4/2014	Wodecki	D24/158

* cited by examiner

Primary Examiner — Anhdao Doan

(74) *Attorney, Agent, or Firm* — NSIP Law

(57) **CLAIM**

The ornamental design for a scanner for magnetic resonance imaging (MRI), as shown and described.

DESCRIPTION

FIG. 1 is a front perspective view of a scanner for magnetic resonance imaging (MRI) showing our new design;

FIG. 2 is a front view thereof;

FIG. 3 is a rear view thereof;

FIG. 4 is a left-side view thereof;

FIG. 5 is a right-side view thereof;

FIG. 6 is a top view thereof;

FIG. 7 is a bottom view thereof; and,

FIG. 8 is a rear perspective view thereof.

The broken lines illustrating portions of the scanner for magnetic resonance imaging (MRI) are for environmental purposes only and form no part of the claimed design.

1 Claim, 8 Drawing Sheets

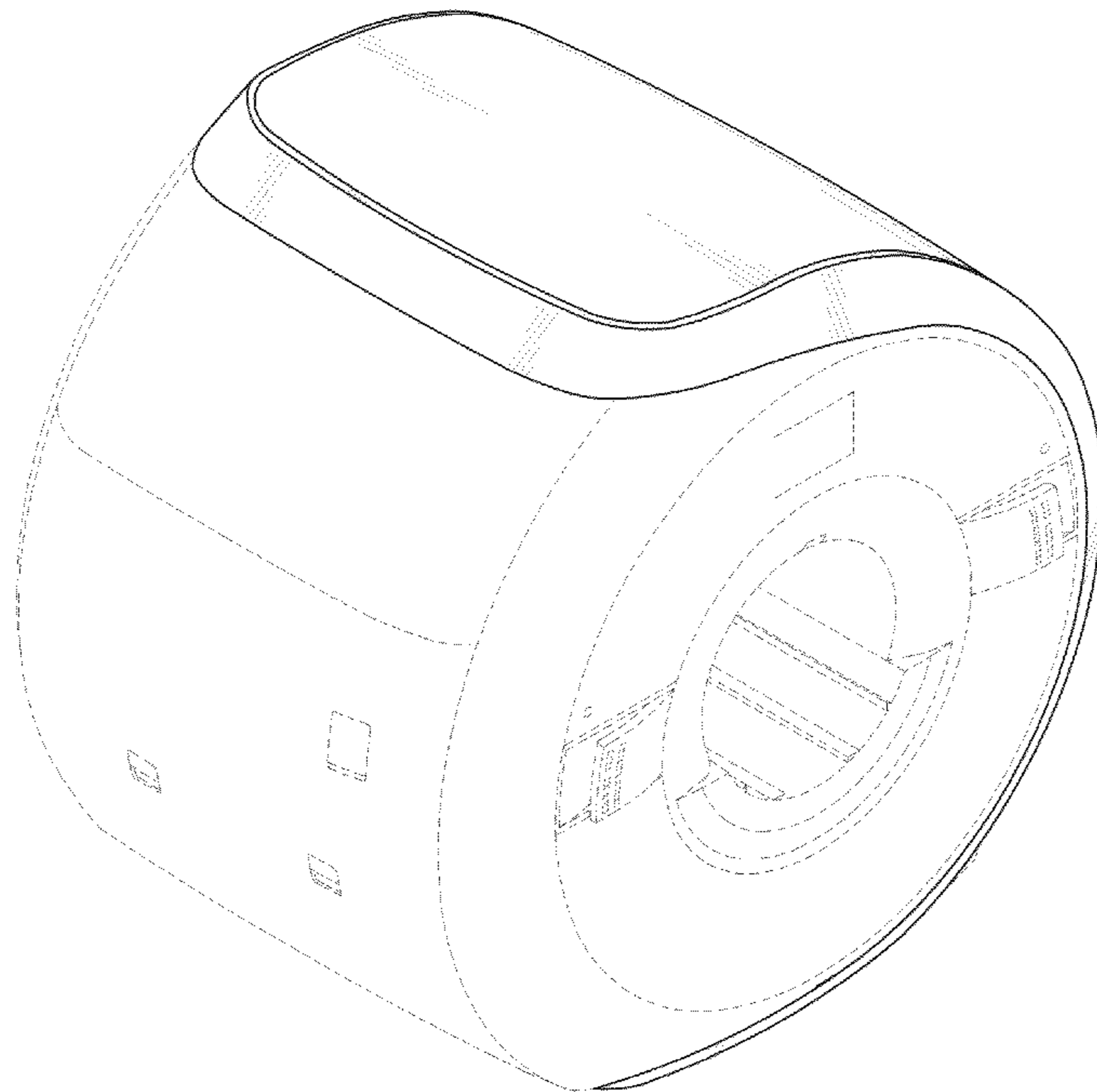


FIG. 1

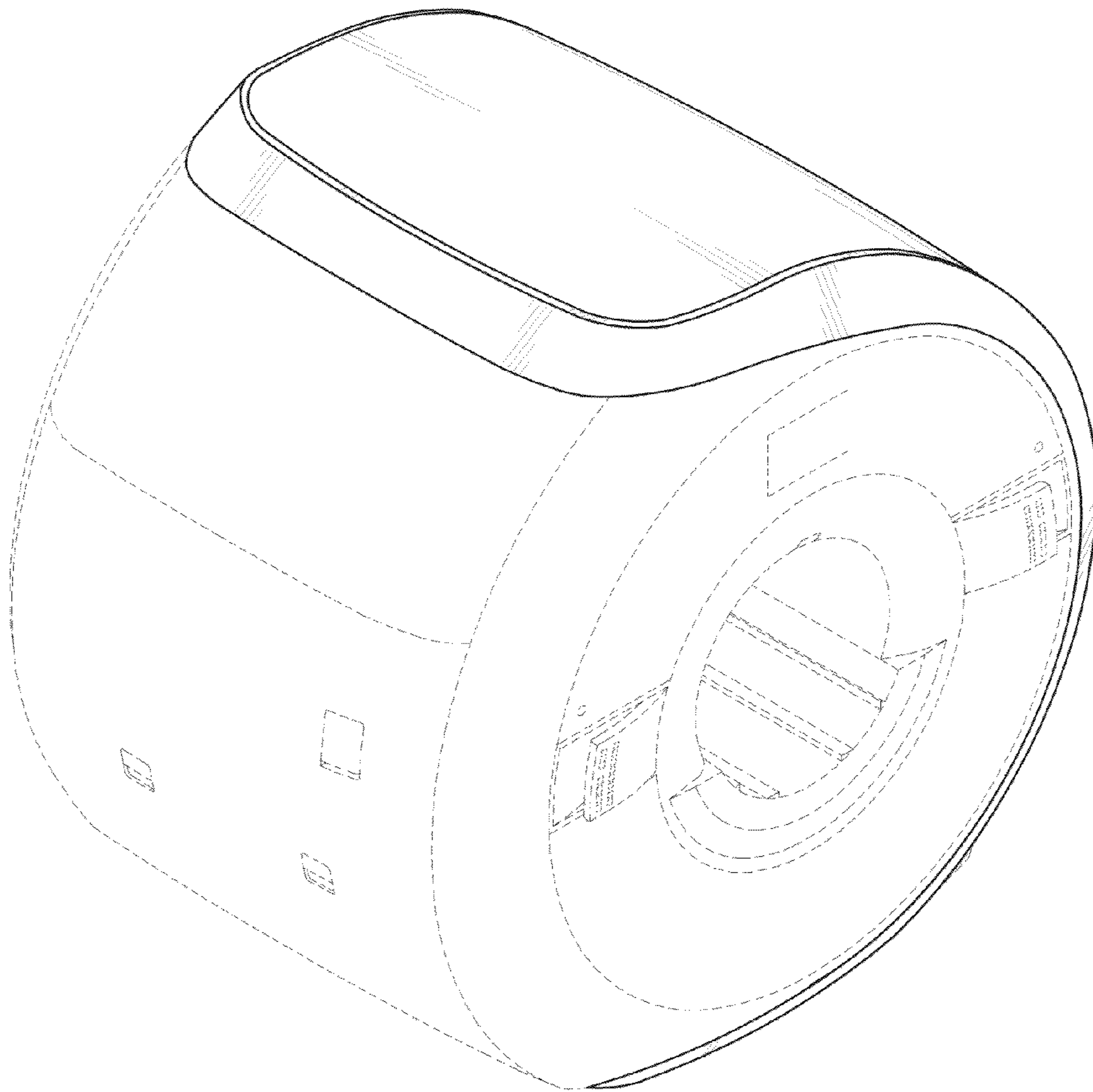


FIG. 2

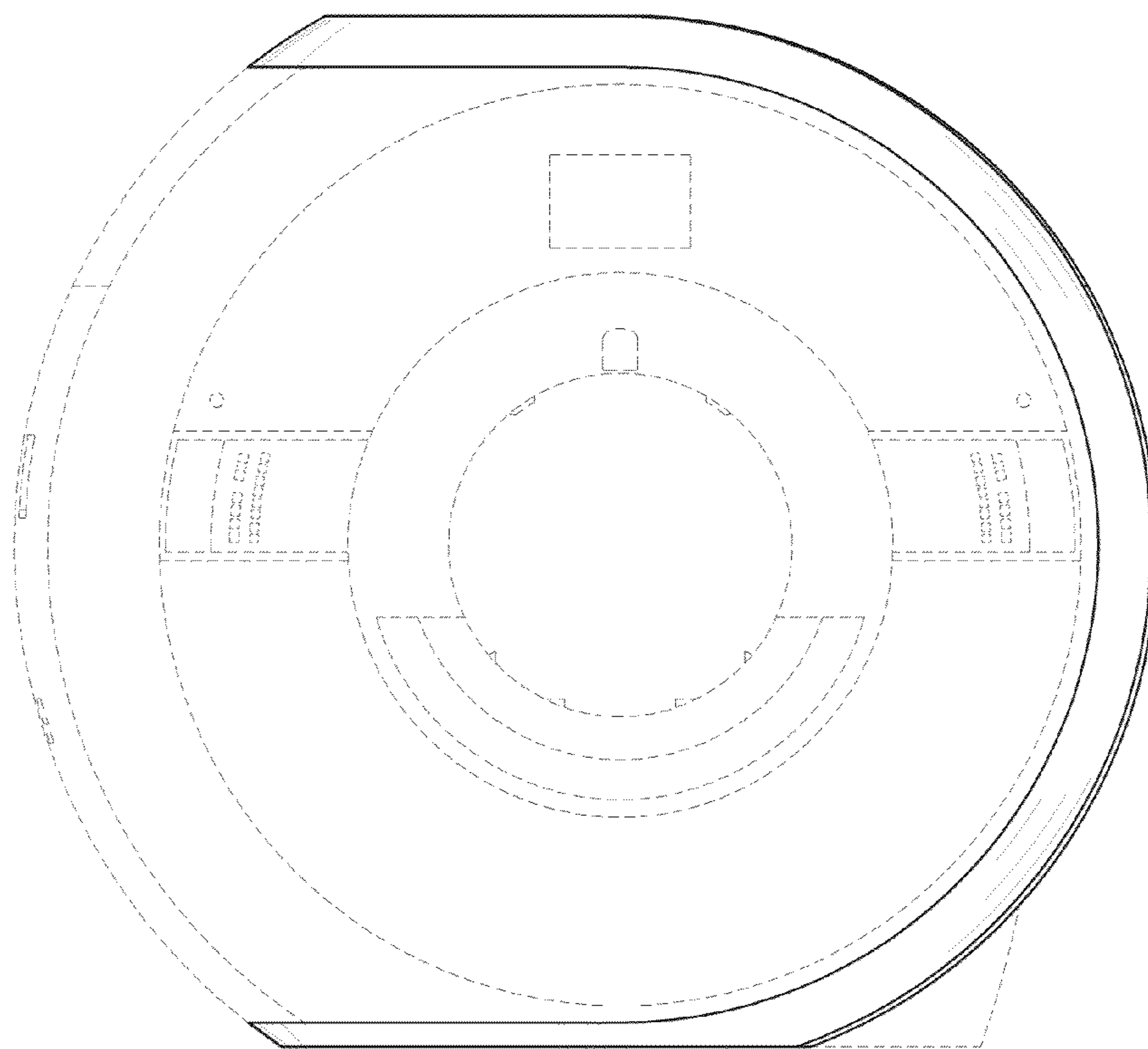


FIG. 3

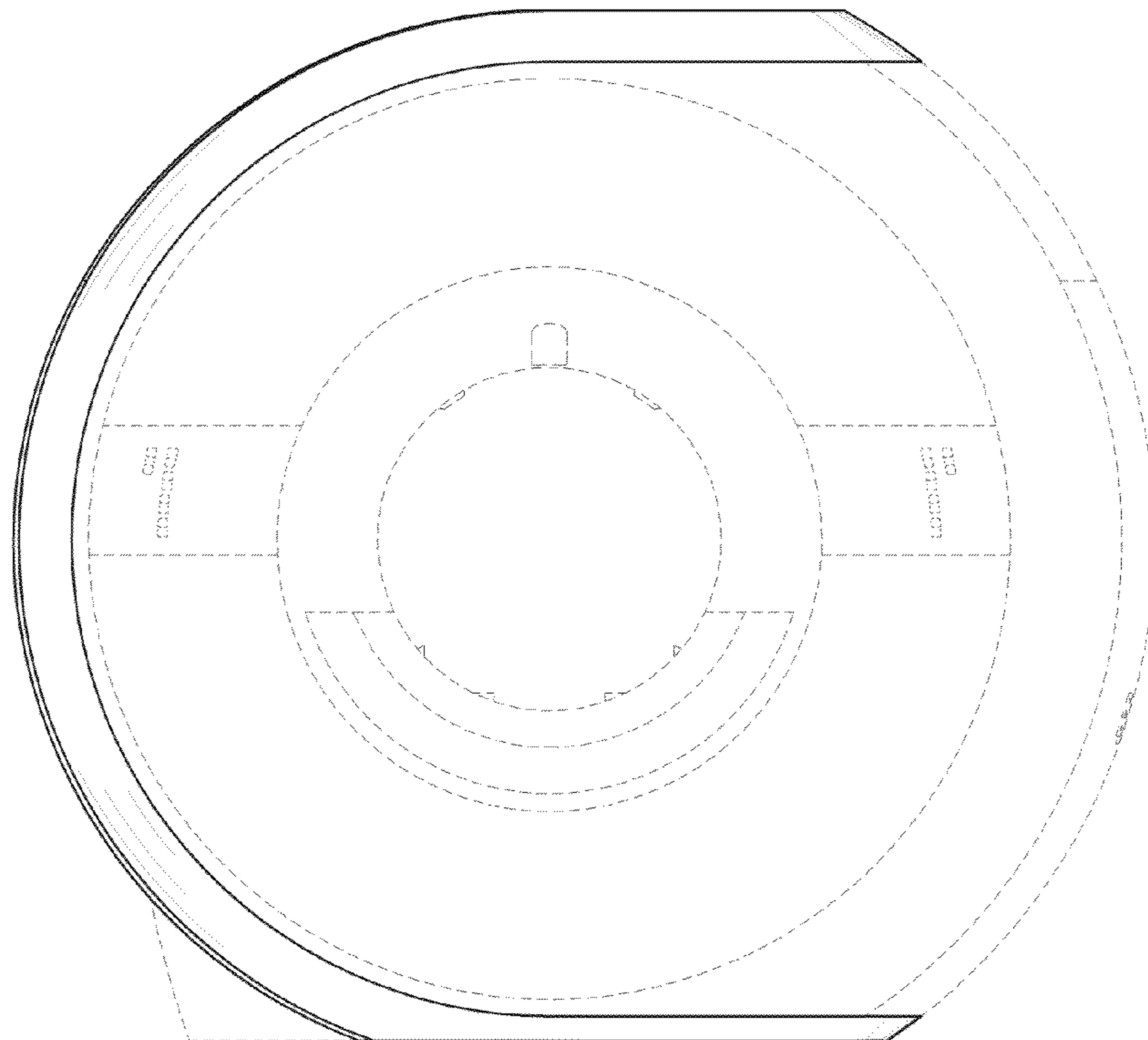


FIG. 4

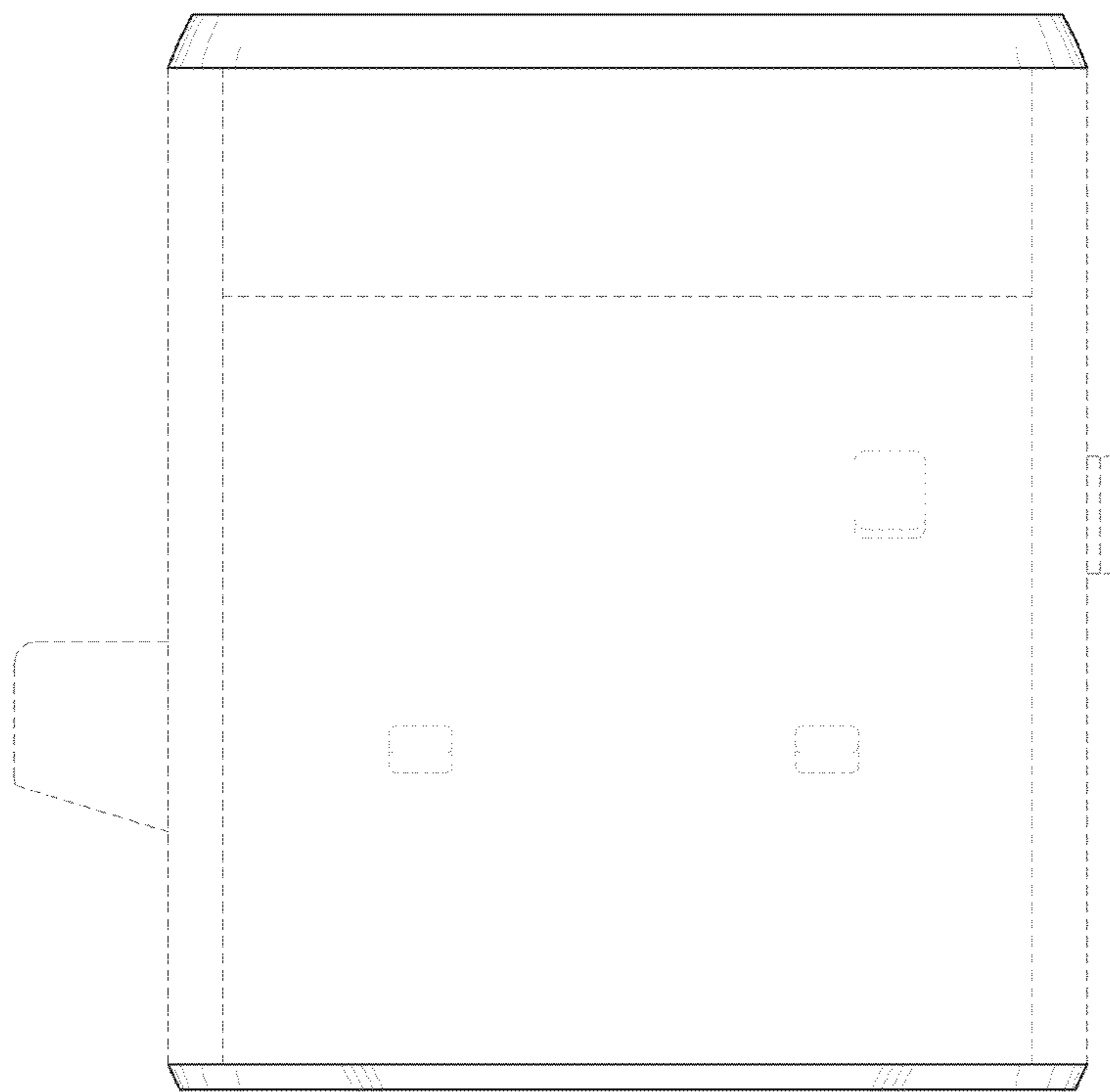


FIG. 5

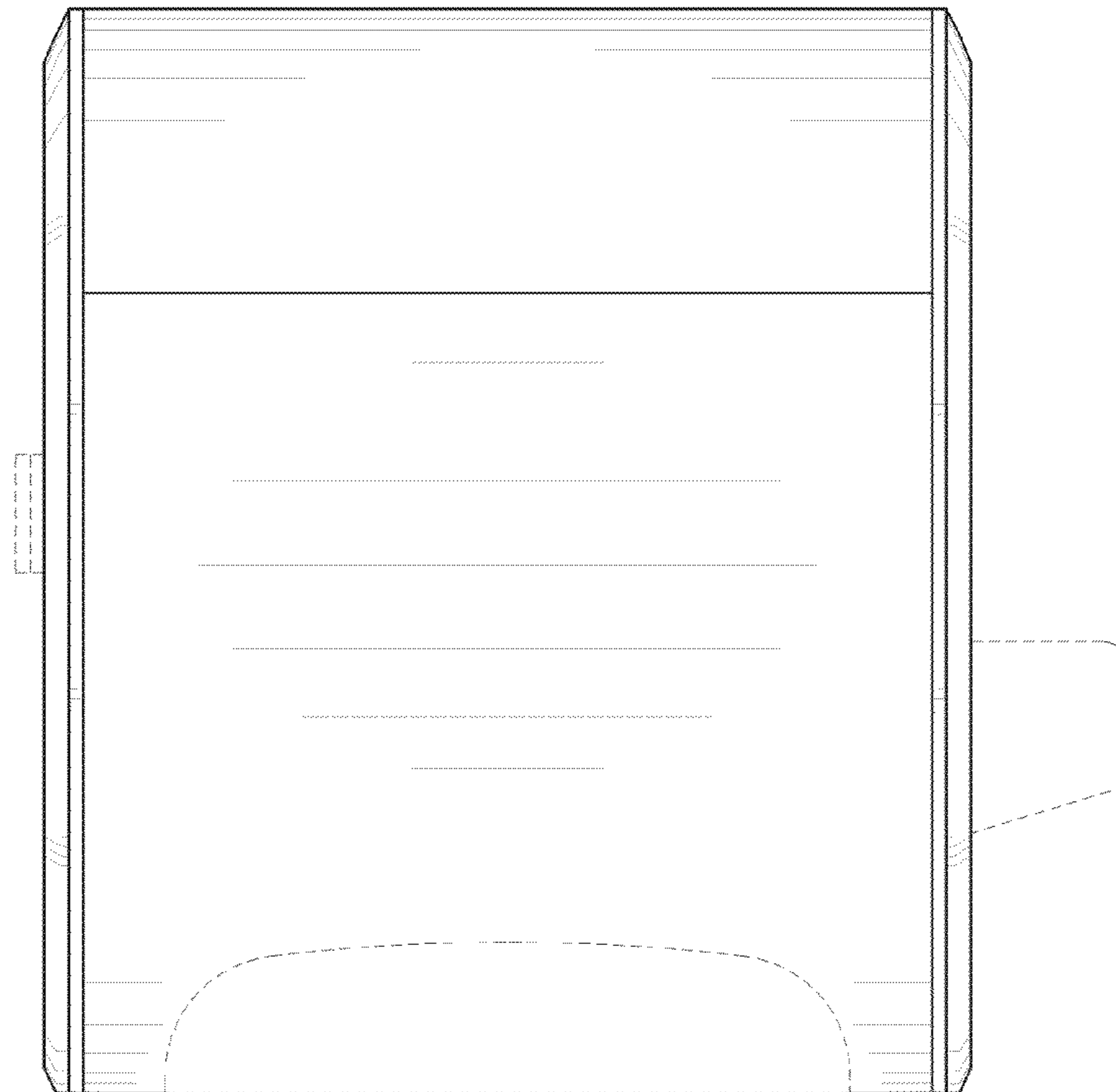


FIG. 6

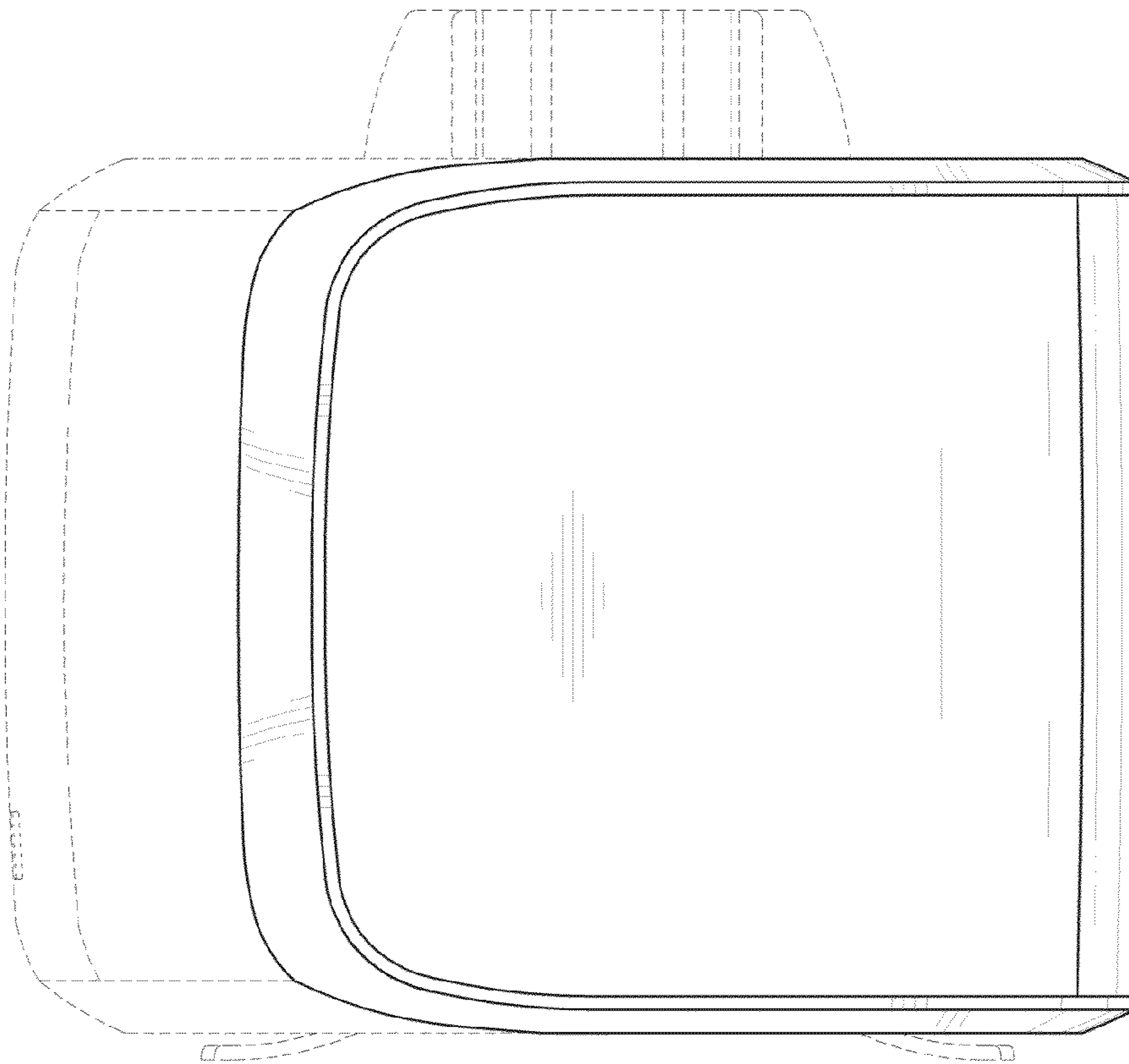


FIG. 7

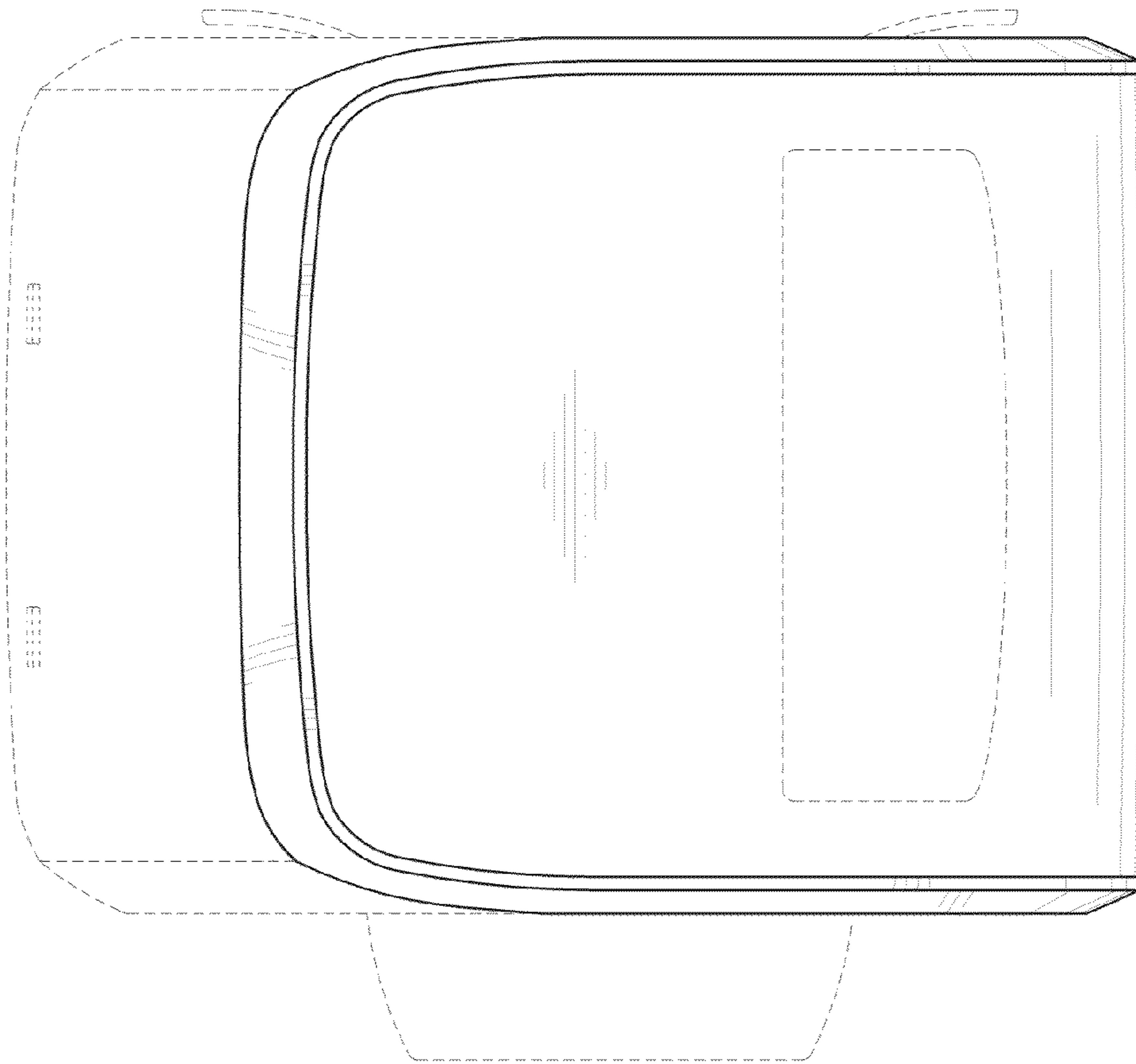


FIG. 8

