



US00D714448S

(12) **United States Design Patent**  
**Sul**

(10) **Patent No.:** **US D714,448 S**

(45) **Date of Patent:** **\*\* Sep. 30, 2014**

(54) **OPERATION PANEL FOR MEDICAL DEVICE**

(71) Applicant: **Samsung Electronics Co., Ltd.**,  
Suwon-si (KR)

(72) Inventor: **Sung-Woo Sul**, Yongin (KR)

(73) Assignee: **Samsung Electronics Co., Ltd.** (KR)

(\*\*) Term: **14 Years**

(21) Appl. No.: **29/468,833**

(22) Filed: **Oct. 3, 2013**

(30) **Foreign Application Priority Data**

May 24, 2013 (KR) ..... 30-2013-0027186

(51) **LOC (10) Cl.** ..... **24-01**

(52) **U.S. Cl.**  
USPC ..... **D24/158**

(58) **Field of Classification Search**

USPC ..... D24/158-161, 185, 186; 378/4, 15, 17,  
378/21, 23-27, 62, 68, 196-198, 95, 98;  
600/410, 421, 422; D13/162, 164, 168,  
D13/171; D14/381, 388, 443; 200/296

See application file for complete search history.

(56) **References Cited**

**U.S. PATENT DOCUMENTS**

D551,347 S \* 9/2007 Baba ..... D24/158  
D554,755 S \* 11/2007 Iwasaki et al. .... D24/158  
D558,351 S \* 12/2007 Diener et al. .... D24/186  
D566,660 S \* 4/2008 Ludwig et al. .... D13/162  
D569,352 S \* 5/2008 Gordon et al. .... D13/168

7,841,575 B1 \* 11/2010 Sliger ..... 248/454  
D638,943 S \* 5/2011 Daniel ..... D24/172  
D671,216 S \* 11/2012 Moon et al. .... D24/158  
D681,814 S \* 5/2013 Nenoki ..... D24/158  
D699,354 S \* 2/2014 Chung et al. .... D24/158  
2008/0279331 A1 \* 11/2008 Huang ..... 378/68  
2010/0094132 A1 \* 4/2010 Hansen et al. .... 600/443  
2013/0121477 A1 \* 5/2013 Lee et al. .... 378/198

\* cited by examiner

*Primary Examiner* — Anhdao Doan

(74) *Attorney, Agent, or Firm* — Cantor Colburn LLP

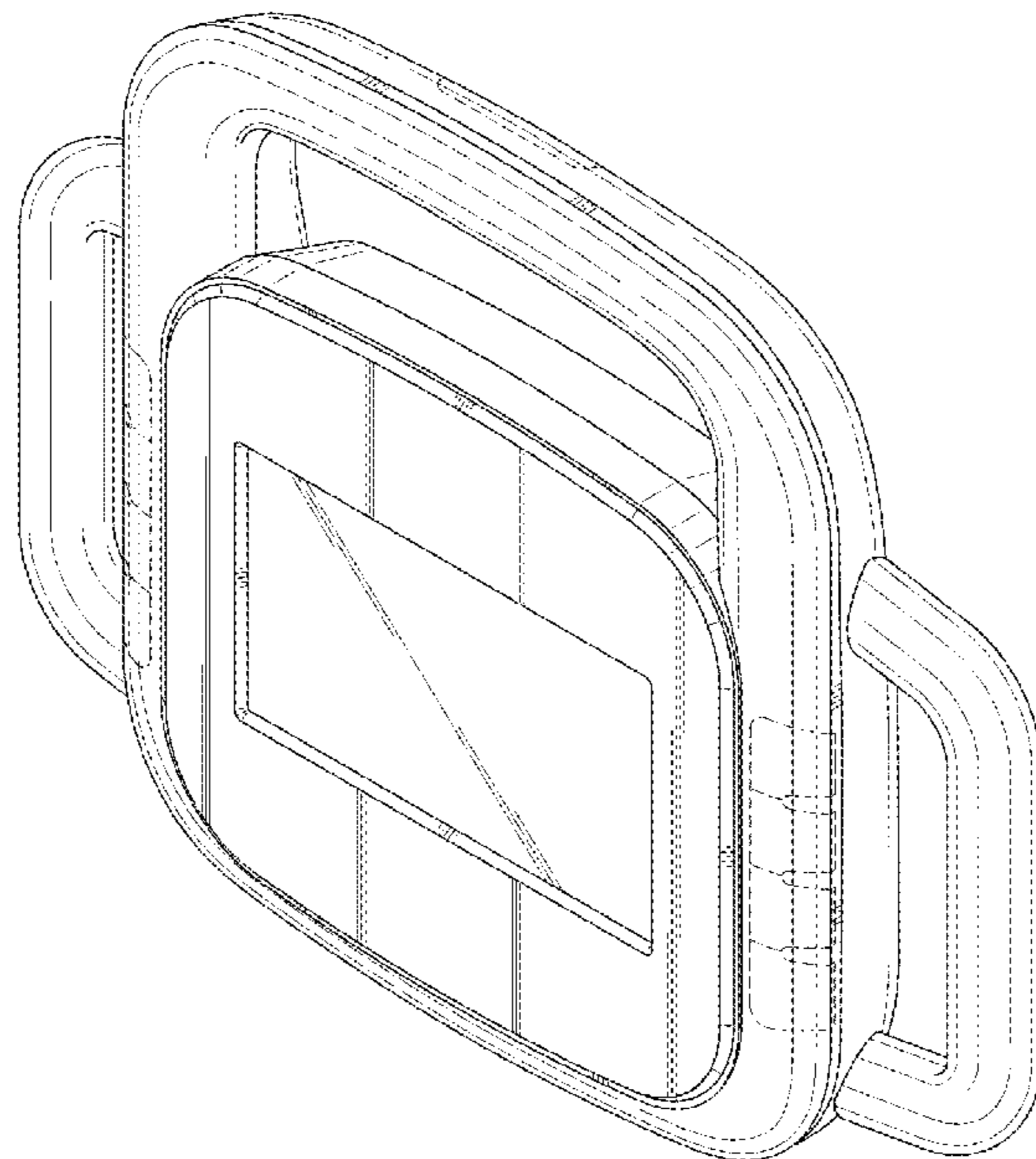
(57) **CLAIM**

The ornamental design for an operation panel for medical device, as shown and described.

**DESCRIPTION**

FIG. 1 is a top front perspective view of an operation panel for medical device showing my new design;  
FIG. 2 is a front view thereof;  
FIG. 3 is a rear view thereof;  
FIG. 4 is a left side view thereof;  
FIG. 5 is a right side view thereof;  
FIG. 6 is a top view thereof;  
FIG. 7 is a bottom view thereof; and,  
FIG. 8 is another top front perspective view thereof, showing the operation panel being mounted in an X-ray environment. The broken lines illustrating portions of the operation panel for medical device are for environmental purposes only and form no part of the claimed design.

**1 Claim, 4 Drawing Sheets**



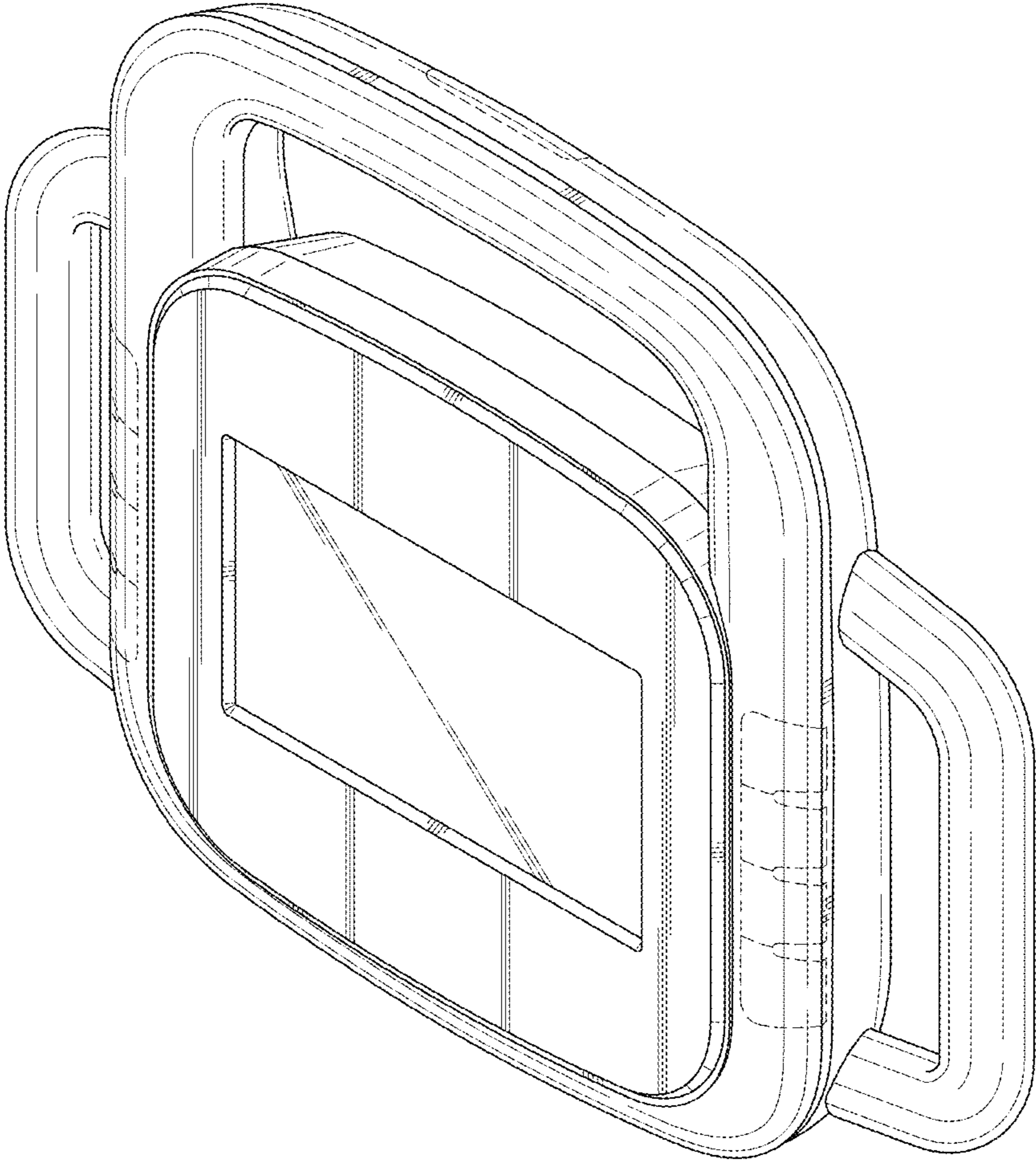


FIG.1

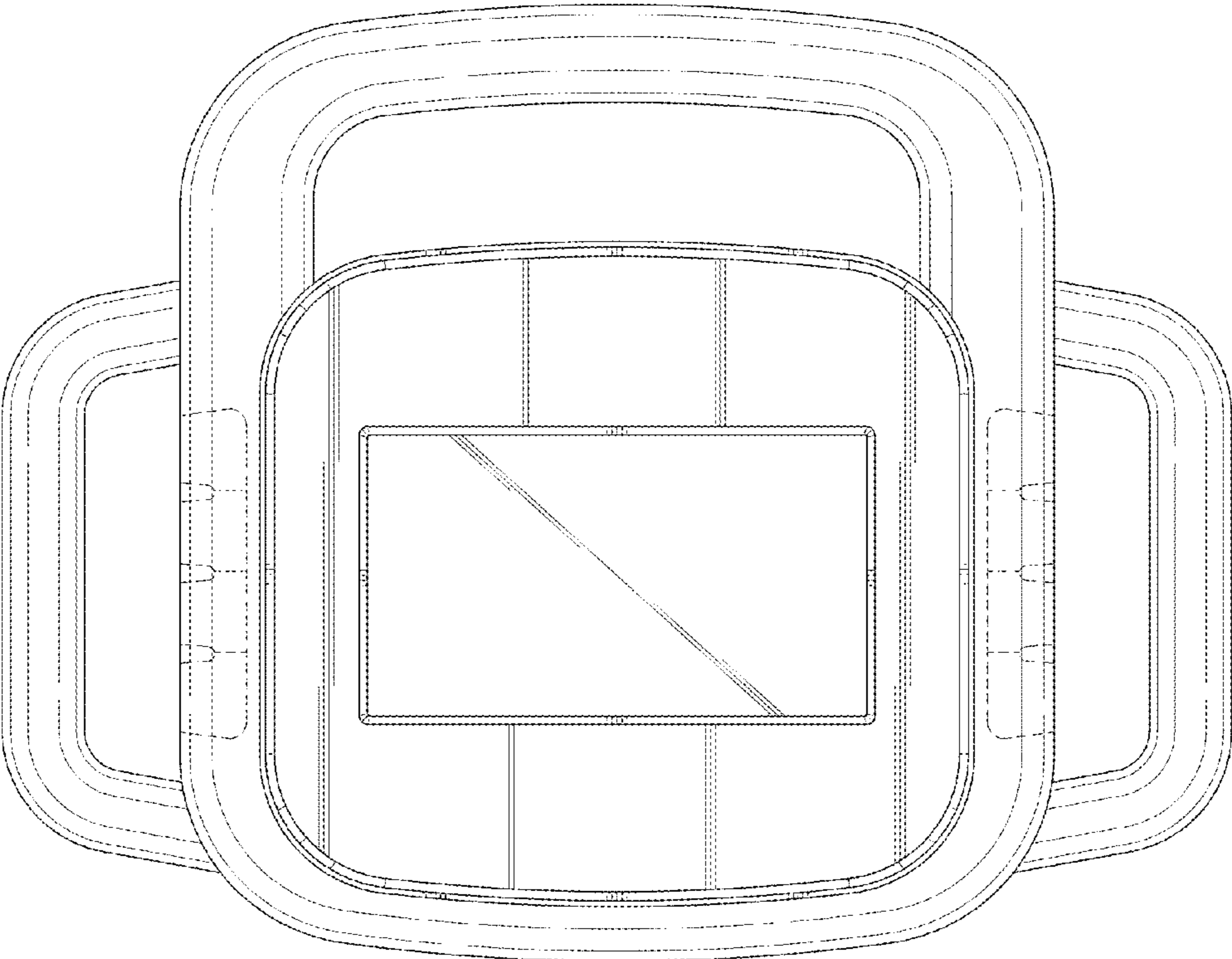


FIG. 2

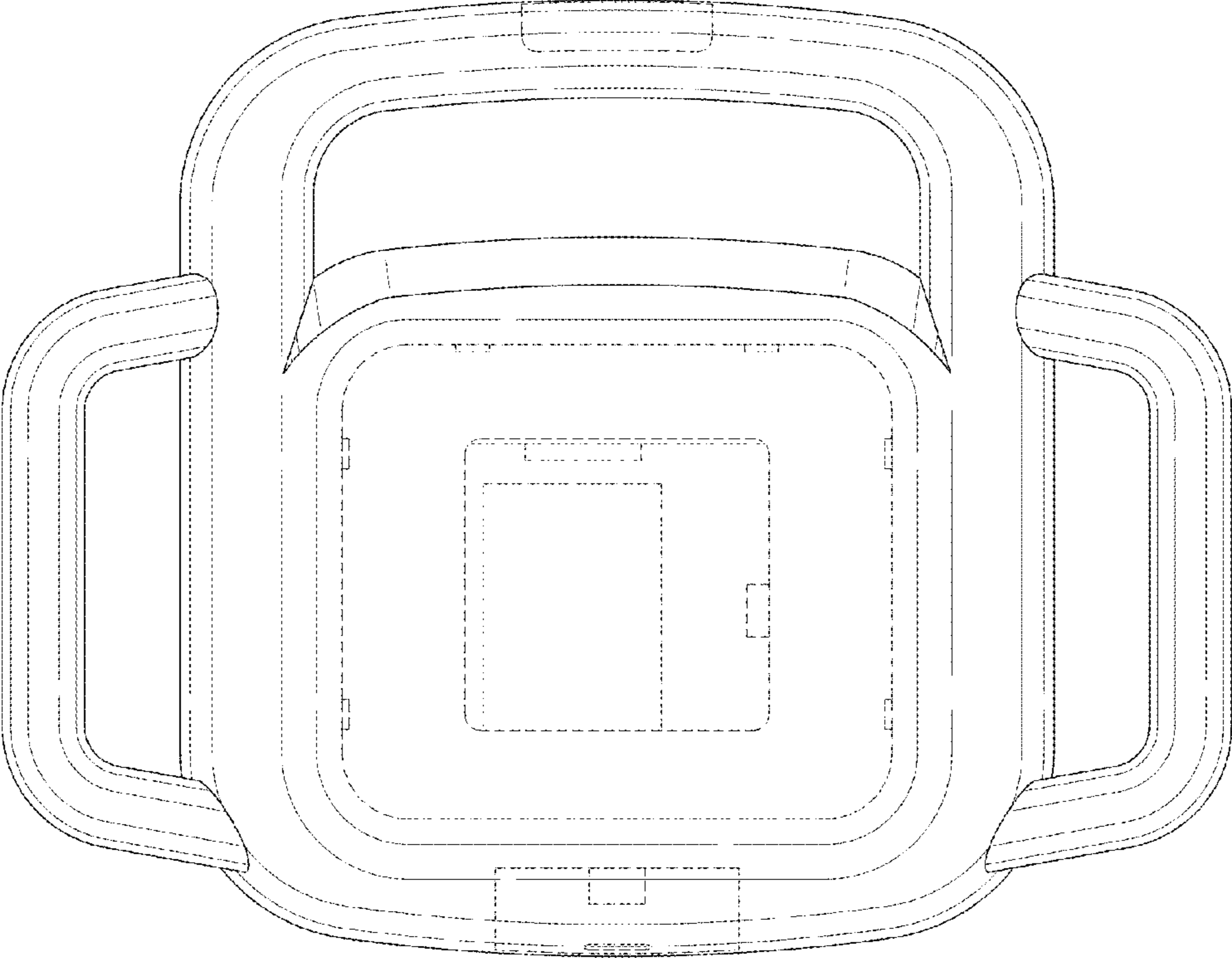


FIG. 3

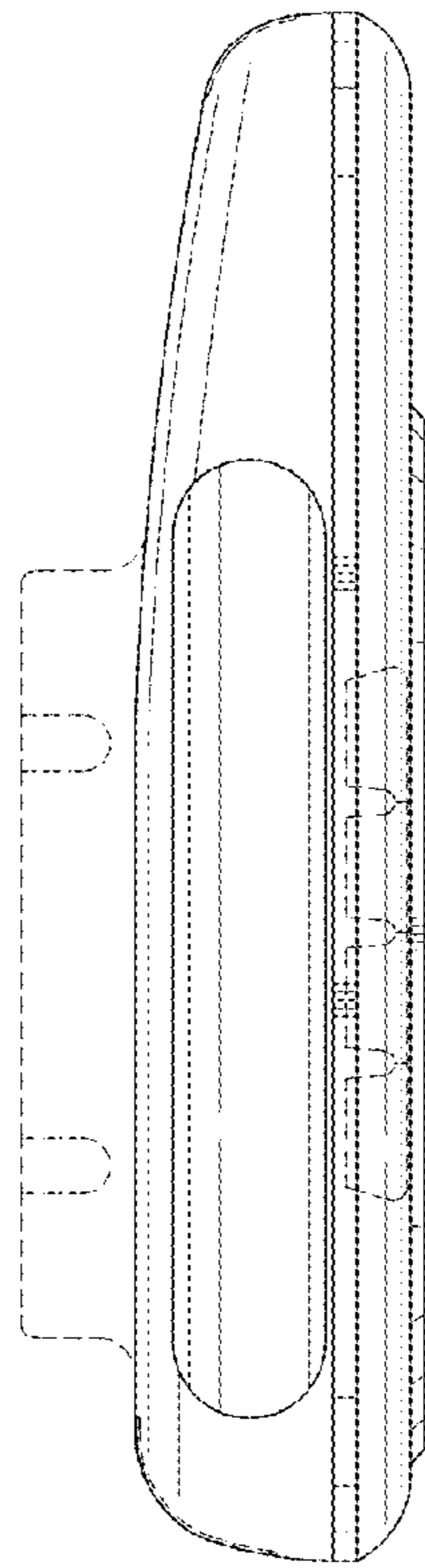


FIG. 4

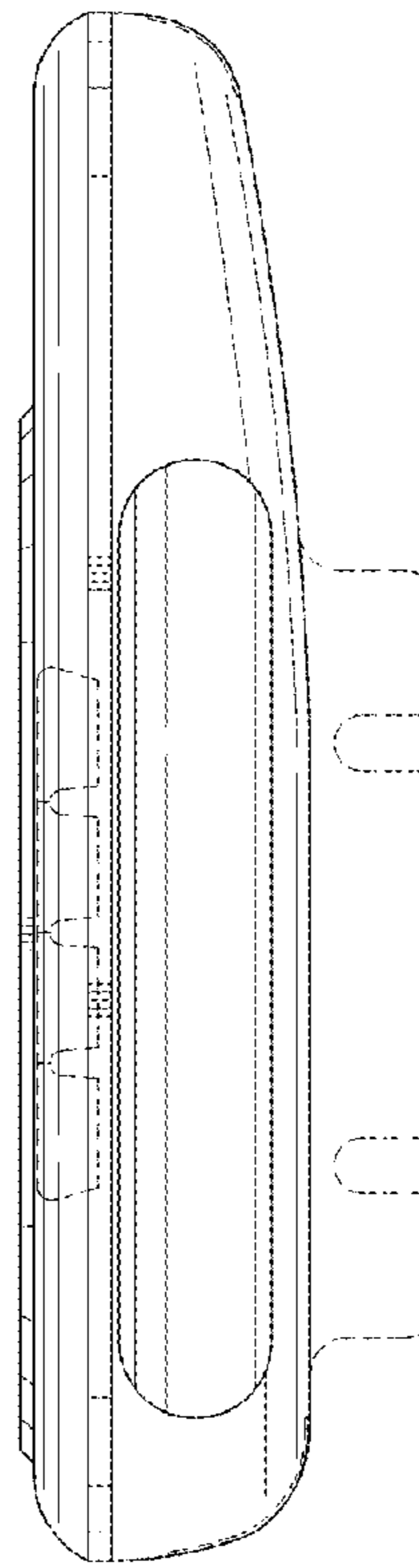


FIG. 5

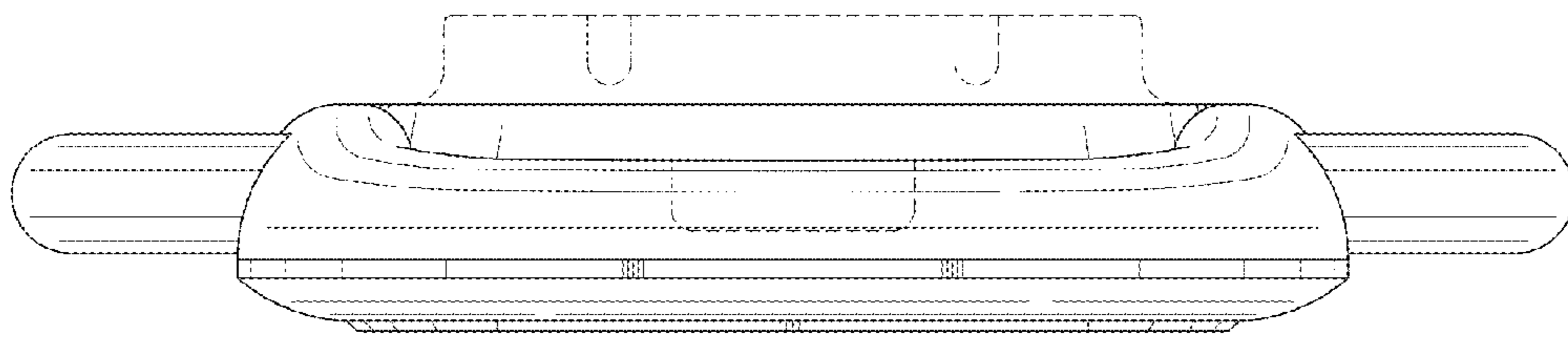


FIG. 6

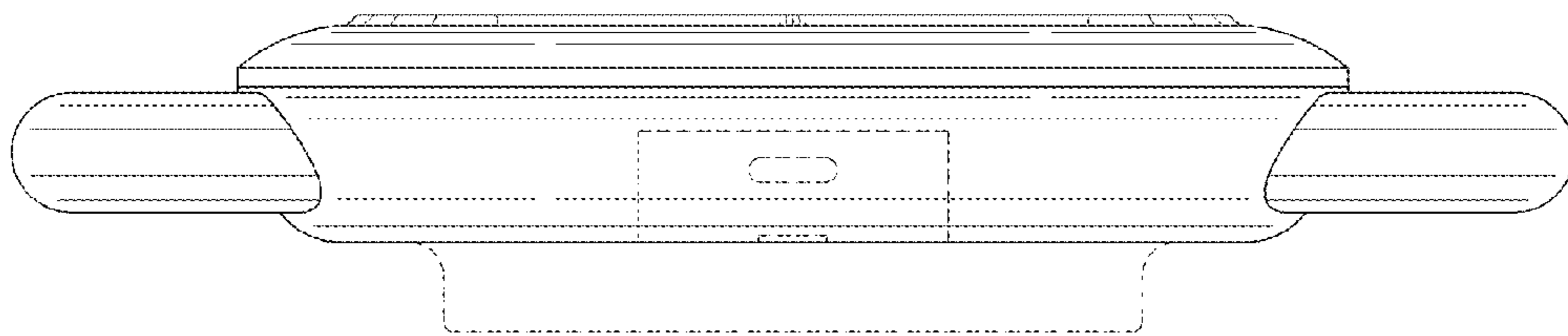


FIG. 7

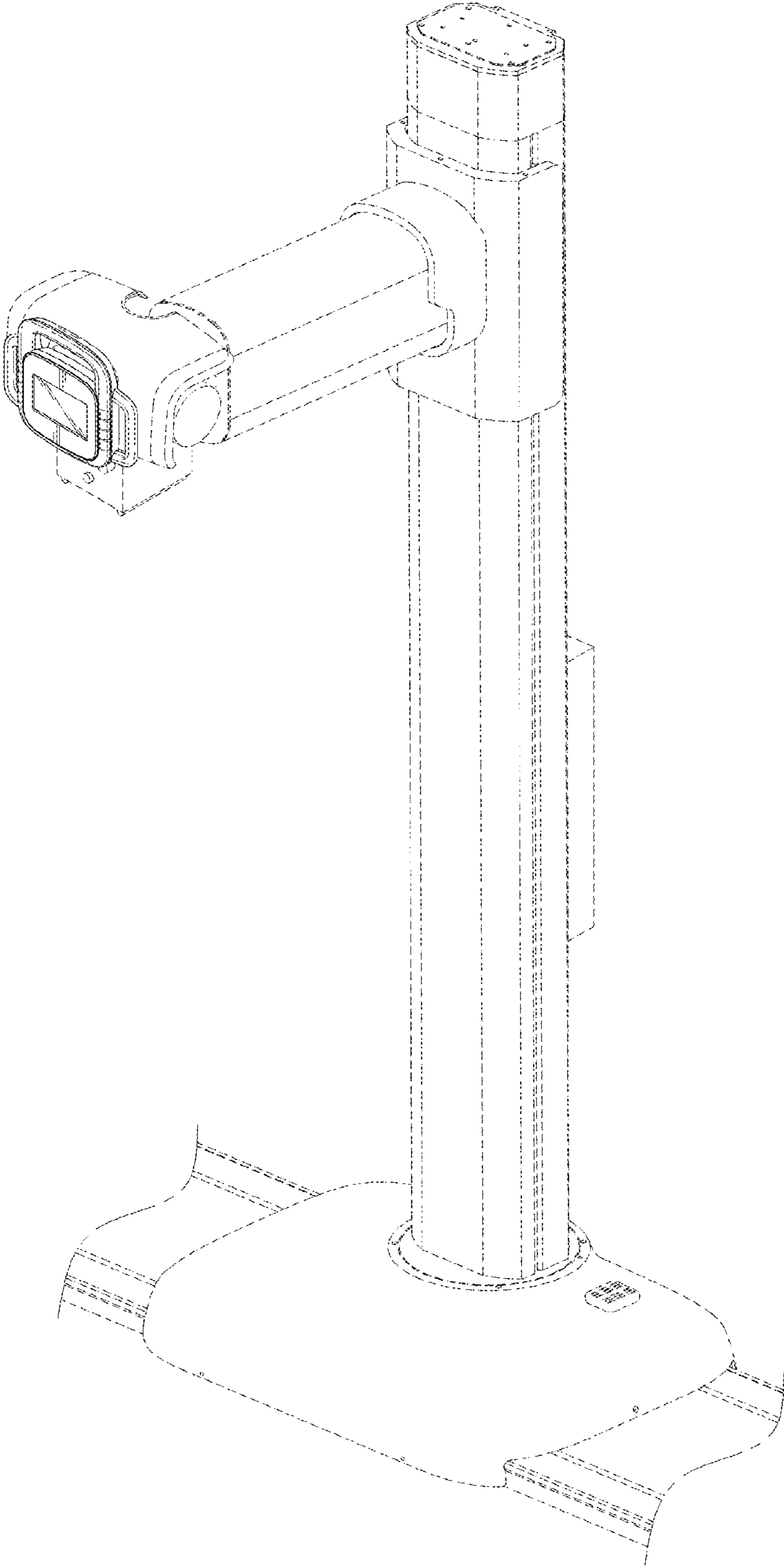


FIG.8